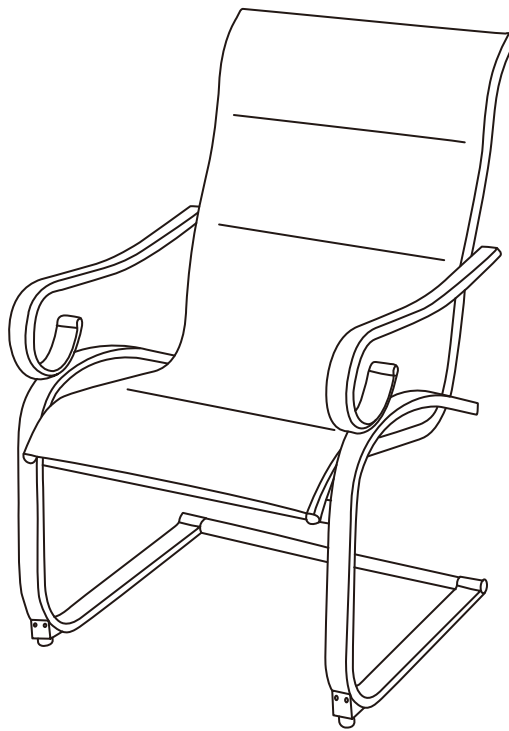




1003183464
Model KTS60EH

USE AND CARE GUIDE

Crestridge Padded Sling Spring Dining Chair - Conley Denim (2-Pack)



Questions, problems, missing parts? Before returning to the store,
call Hampton Bay Customer Service.
8 a.m. - 7 p.m., EST, Monday - Friday, 9 a.m. - 6 p.m., EST, Saturday

1-855-HD-HAMPTON

HAMPTONBAY.COM

THANK YOU

*We appreciate the trust and confidence you have placed in Hampton Bay through the purchase of this dining set. We strive to continually create quality products designed to enhance your home. Visit us online to see our full line of products available for your home improvement needs.
Thank you for choosing Hampton Bay!*

Table of Contents


Table of Contents.....	2	Chair Assembly.....	5
Safety Information	2	Care and Cleaning.....	9
Product Caution	2		
Safety Warnings	2		
Warranty	2		
What is Covered	2		
What is Not Covered	2		
Pre-Assembly	3		
Planning Assembly	3		
Hardware Included	3		
Chair Package Contents.....	4		


Safety Information


PRODUCT CAUTION


This set was made for the explicit purpose of providing outdoor functions and is not to be used as a toy. This product is intended for normal outdoor use; however, the manufacturer recommends storing and / or covering this set when any formidable / severe weather is approaching. Do not locate this product near open flames. Do not use this product as a support. Do not shake, lean or climb on the product. Children under the age of 10, near the product, should be supervised by a competent adult at all times.

SAFETY WARNINGS

 **WARNING:** Weight limit for the chairs is 250 lb (113.39 kg) for each seat.

 **CAUTION:** When not in use, secure the product in a cool and covered location.

 **WARNING:** Please keep children out of the assembly area before assembly.

 **WARNING:** Do not place heavy objects on the chair.

Warranty

2 YEAR FRAME AND 2 YEAR FABRIC LIMITED WARRANTY

WHAT IS COVERED

We warrant the frames to be free of manufacturing defects to the original purchaser for two years, and a two year limited warranty for the fabric.

WHAT IS NOT COVERED

It remains the customer's responsibility for freight and packaging charges to and from our service center. This warranty does not cover commercial use, hardware, acts of nature, fire, freezing and abusive use. In addition, purchased parts are not covered under this warranty. We reserve the right to make substitutions with similar merchandise, if the model in question is no longer in production.

Contact the Customer Service Team at 1-855-HD-HAMPTON or visit www.hamptonbay.com.

Pre-Assembly

PLANNING ASSEMBLY

Read all instructions before assembly.

To avoid damaging this product, assemble it on a soft, non-abrasive surface such as carpet or cardboard.

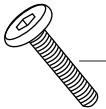


NOTE: More than one person may be required to assemble this product.

HARDWARE INCLUDED



NOTE: Hardware not shown to actual size.



AA



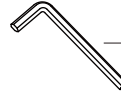
BB



CC



DD

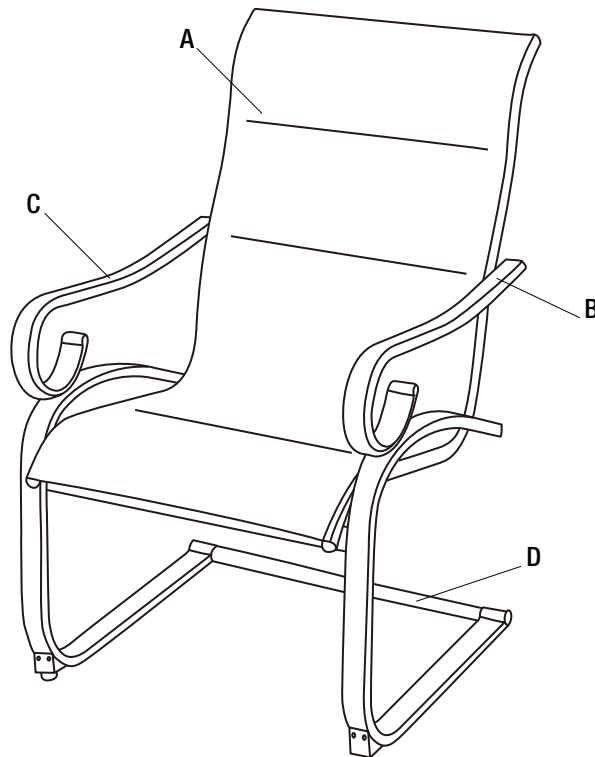


EE

Part	Description	Quantity
AA	M6x35 BOLT	6+1
BB	M6x16 BOLT	4+1
CC	d6.5xD13x1.0 WASHER	8+1
DD	STEEL WASHER d7.8xD31x6.0	2
EE	4 mm ALLEN KEY WRENCH	1

Pre-Assembly (continued)

CHAIR PACKAGE CONTENTS



Part	Description	Quantity
A	Seat Assembly	1
B	Left Leg	1
C	Right Leg	1
D	Support	1

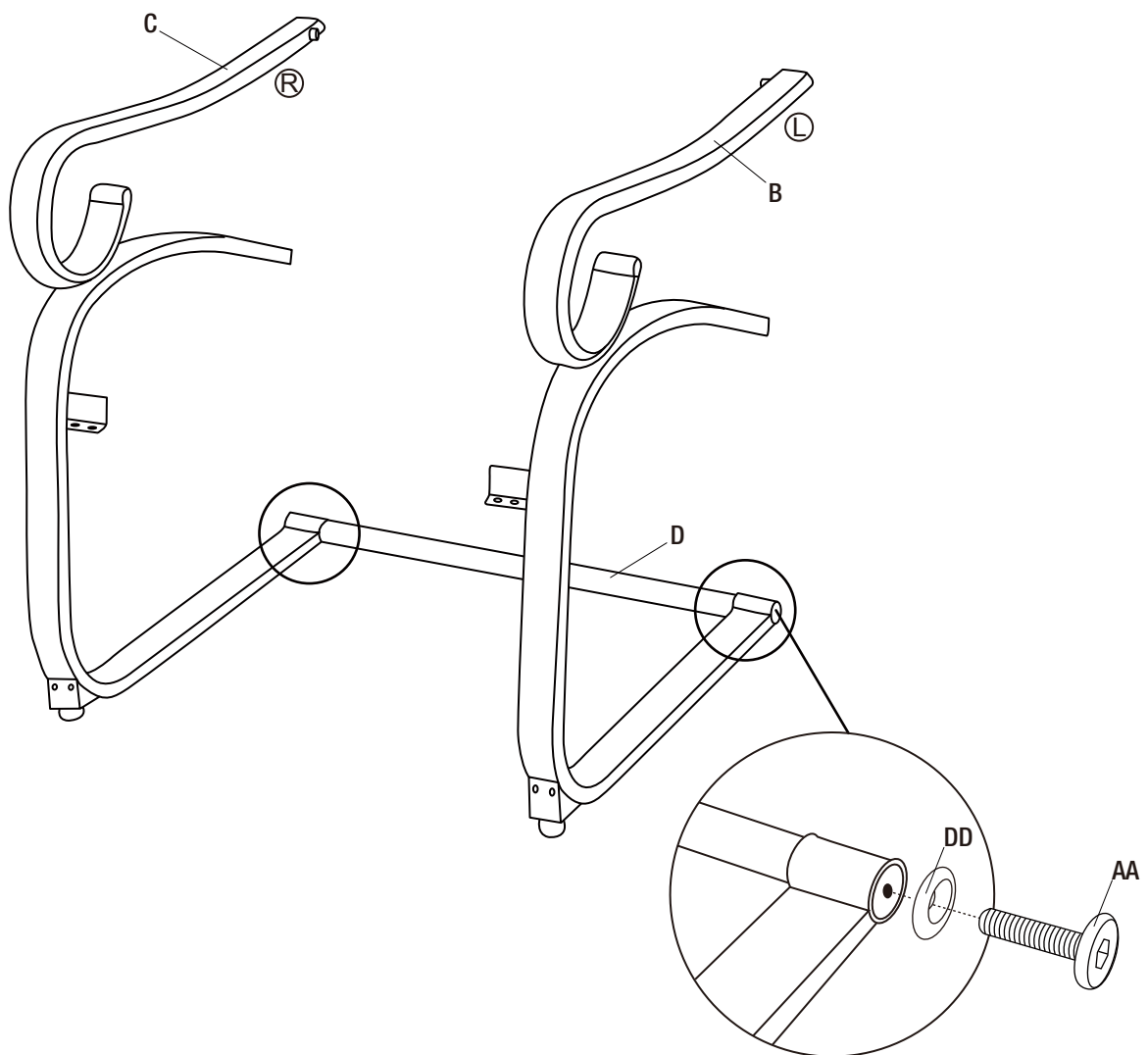
Chair Assembly

1 Connecting the chair support to the chair legs

- Insert the support (D) to the legs (B and C). Fasten them by using M6x35 bolts (AA) and steel washers (DD).



NOTE: Loosely tighten all the bolts using the hex wrench (EE).



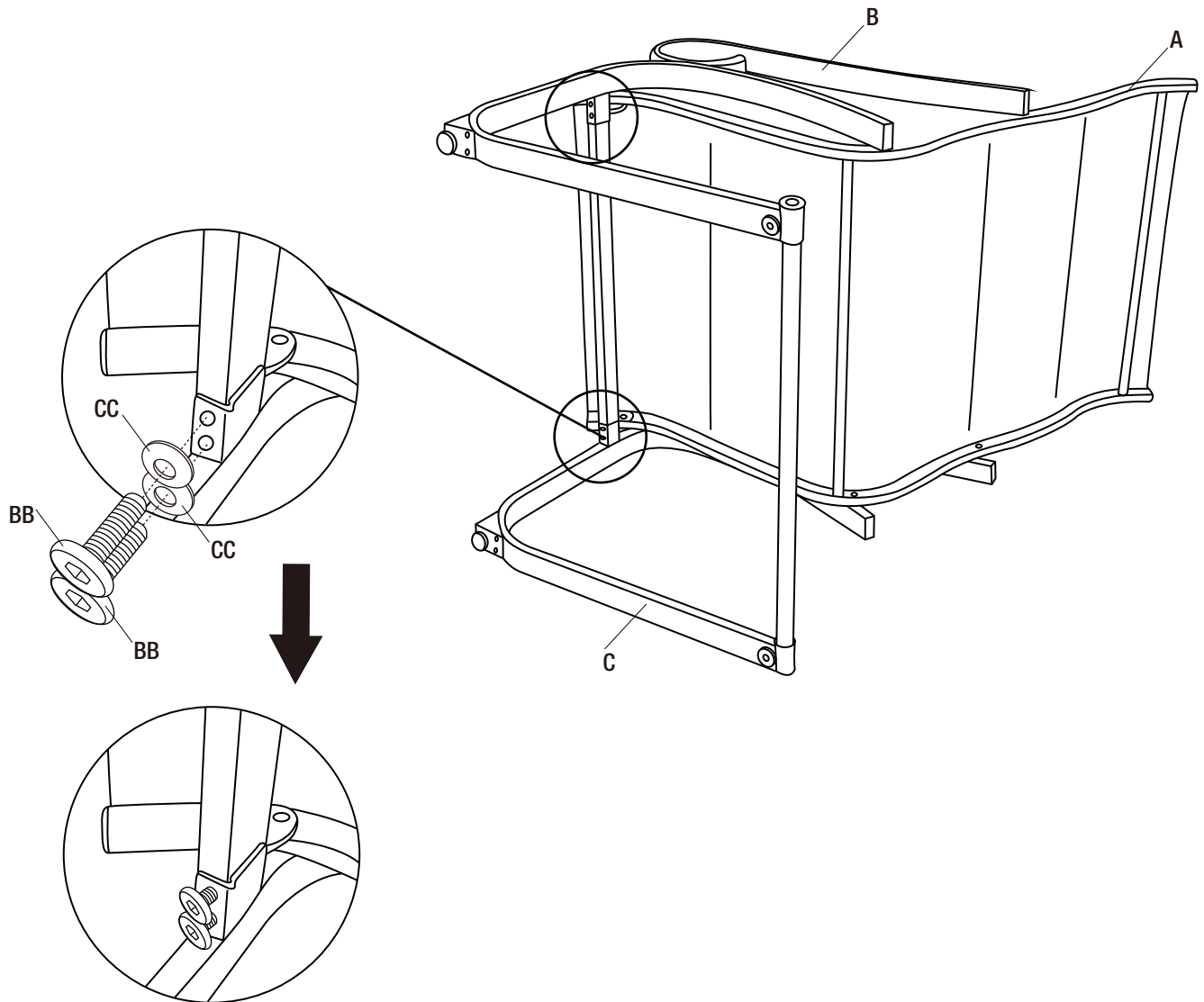
Chair Assembly (continued)

2 Connecting the chair seat assembly to the chair legs

- At the front of the chair, fasten the seat assembly (A) to legs (B and C) by using M6x16 bolts (BB) and d6.5xD13x1.0 washers (CC).



NOTE: Loosely tighten all the bolts using the hex wrench (EE). Keep 3mm Gap. Don't fully tighten the Bolts.



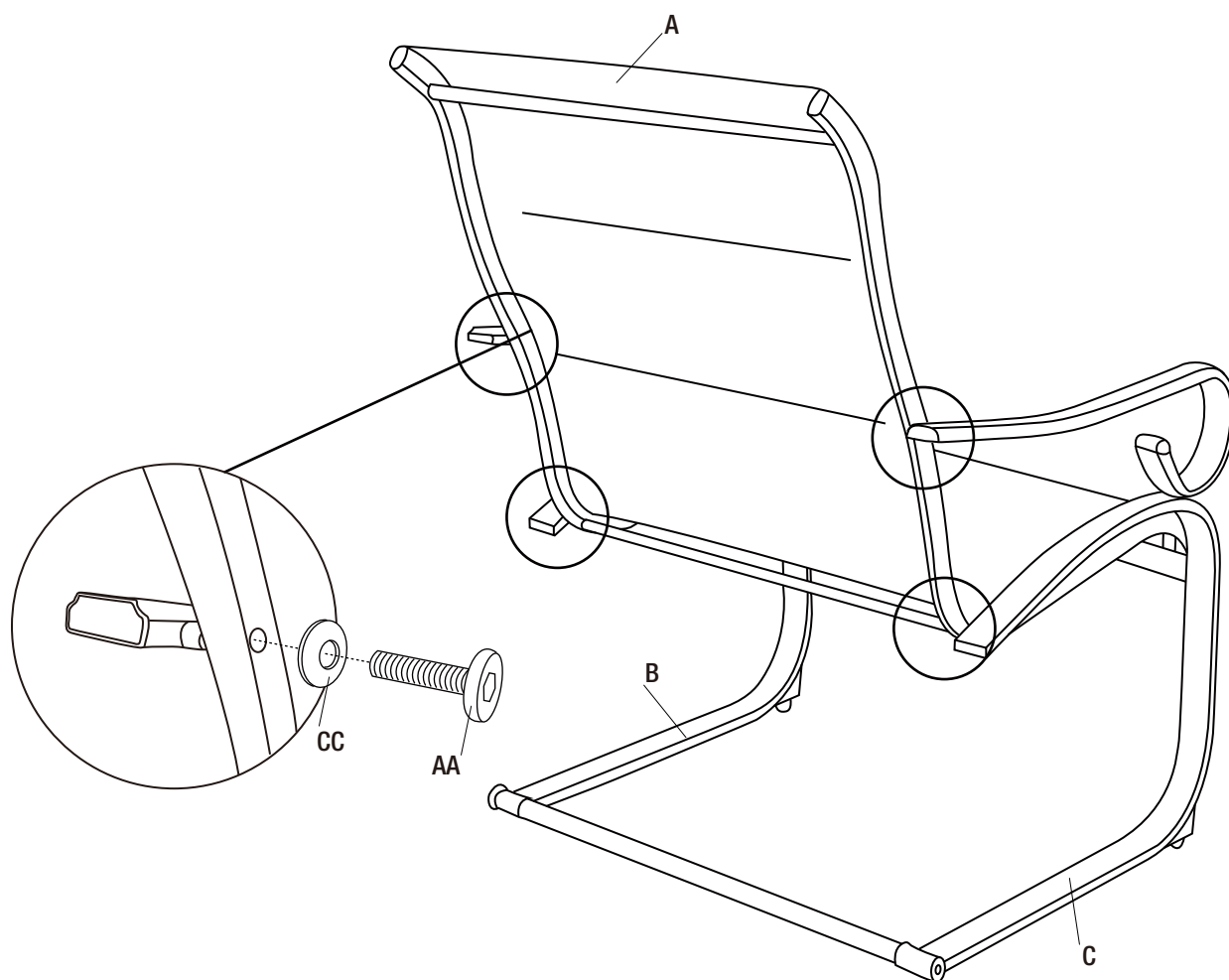
Chair Assembly (continued)

3 Connecting the chair seat assembly to the chair legs

- At the back of the chair, fasten the seat assembly (A) to legs (B and C) by using M6x35 bolts (AA) and d6.5xD13x1.0 washers (CC).



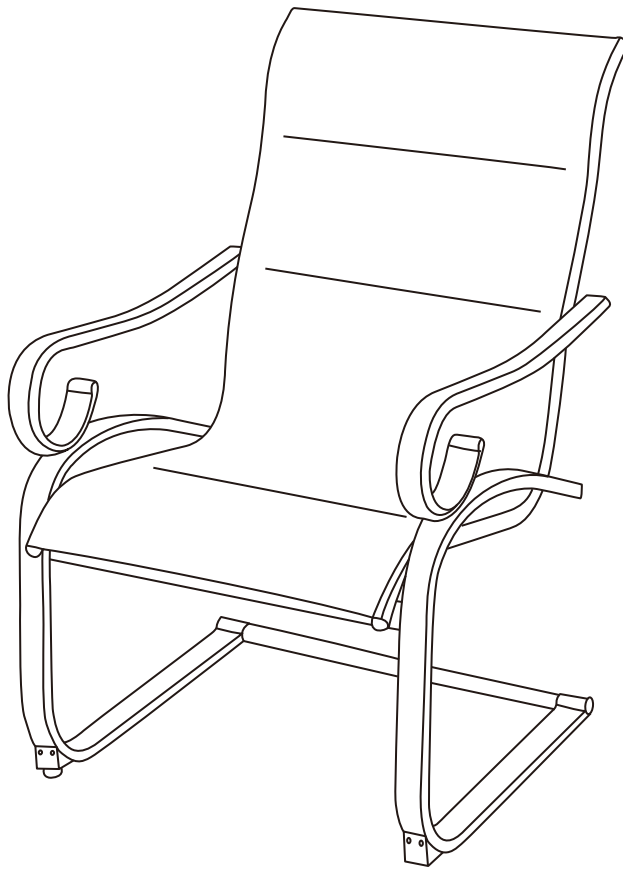
NOTE: Loosely tighten all the bolts using the hex wrench (EE).



Chair Assembly (continued)

4 Tightening the bolts

- Turn the chair to its upright position.
- Once all of the bolts are in place, fully tighten the bolts.
- Ensure all connections are secure before use.



Care and Cleaning

- For best results, clean the set with a damp cloth and dry thoroughly. This will help prevent mildew by removing dirt particles that may accumulate.
- Do not clean with abrasive materials, bleach, or solvents.
- Store the set in a dry, sheltered place when not in use.
- Keep the set away from fire, extreme heat, freezing conditions, and inclement weather such as rain, hail, sleet, snow, or wind.



Questions, problems, missing parts? Before returning to the store,
call Hampton Bay Customer Service.
8 a.m. - 7 p.m., EST, Monday - Friday, 9 a.m. - 6 p.m., EST, Saturday

1-855-HD-HAMPTON

HAMPTONBAY.COM

Retain this manual for future use.