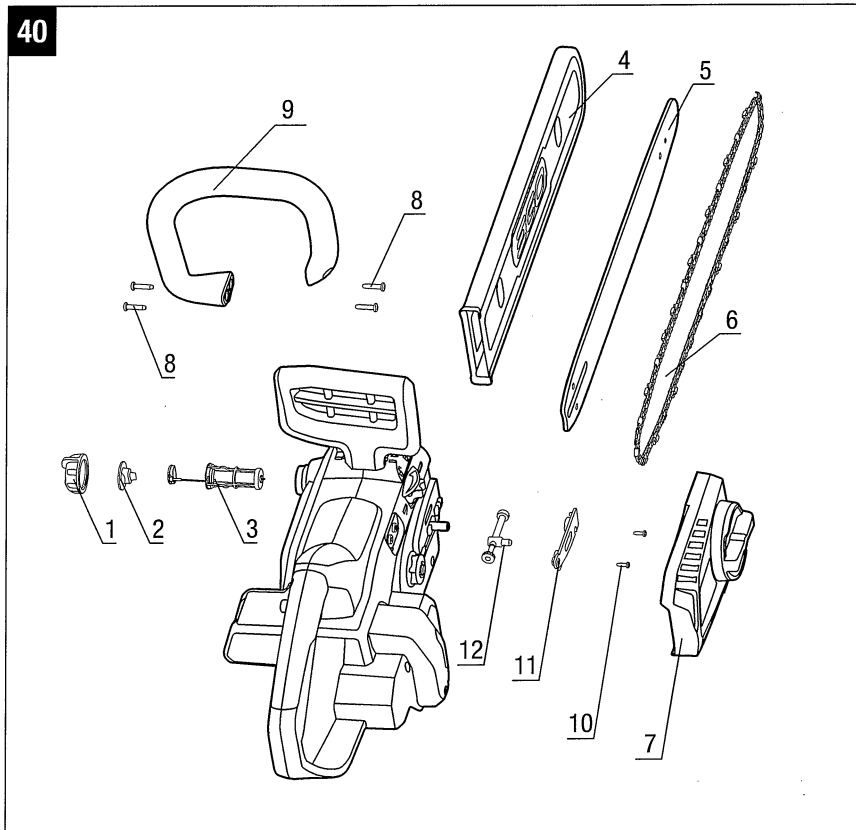




## PARTS LIST

### 56V LITHIUM-ION CORDLESS CHAIN SAW MODEL NUMBER CS1600

The Model Number will be found on the Nameplate attached to the housing of the chain saw. Always mention the Model Number when ordering parts for this tool.



**50**

56V LITHIUM-ION CORDLESS CHAIN SAW — CS1600



| INDEX NUMBER | PART NO.   | DESCRIPTION               | SPEC         | QTY |
|--------------|------------|---------------------------|--------------|-----|
| 1            | 3127499000 | Oil tank cap              |              | 1   |
| 2            | 5690296000 | Seal Ring                 |              | 1   |
| 3            | 2824411000 | Oil filter Assembly       |              | 1   |
| 4            | 3128201000 | Chain sheath              |              | 1   |
| 5            | 3705964000 | Guide bar                 | 16" (400 mm) | 1   |
| 6            | 3810671000 | Saw chain                 |              | 1   |
| 7            | 2823860000 | Side cover assembly       |              | 1   |
| 8            | 5610042000 | Screws                    | ST4.2 x 19   | 4   |
| 9            | 3127504000 | Front handle              |              | 1   |
| 10           | 5610011000 | Screws                    | ST2.9X10     | 2   |
| 11           | 3421169000 | Cover plate               |              | 1   |
| 12           | 2823167000 | Tensioning screw assembly |              | 1   |