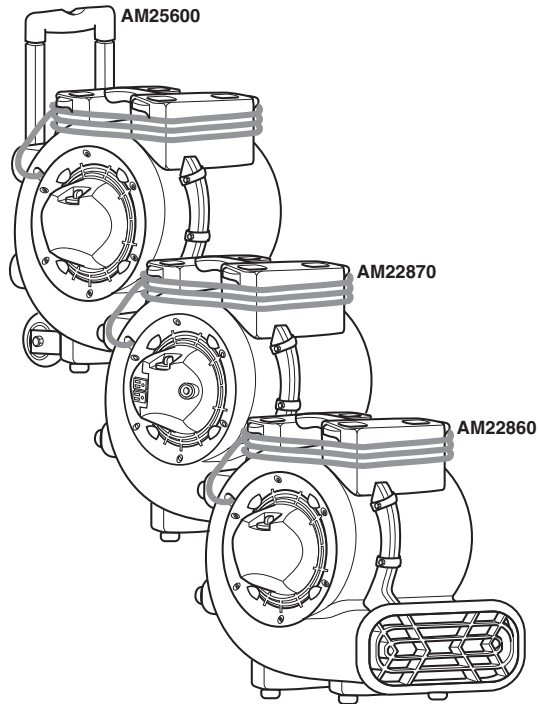


## OWNER'S MANUAL

THREE SPEED  
AIR MOVER

**AM25600**  
**AM22870**  
**AM22860**



FOR QUESTIONS OR INFORMATION CONTACT US AT  
**1-800-4-RIDGID (1-800-474-3443) from the US and Canada**  
**01-800-701-9811 from Mexico**  
**www.RIDGIDvacs.com**

### **▲ WARNING:**

To reduce the risk of injury, the user must read and understand the owner's manual before using this product.

Thank you for buying a RIDGID product.

- Español - página 13
- Français - page 25

**SAVE THIS MANUAL FOR FUTURE REFERENCE**



# Table of Contents

| Section                                                    | Page | Section                                               | Page |
|------------------------------------------------------------|------|-------------------------------------------------------|------|
| Important Safety Instructions . . . . .                    | 2-3  | Storage . . . . .                                     | 7    |
| Motor Specifications and Electrical Requirements . . . . . | 3    | Maintenance . . . . .                                 | 8    |
| Introduction . . . . .                                     | 4    | Wiring Diagram . . . . .                              | 9    |
| Unpacking and Checking Carton Contents . . . . .           | 4    | User Servicing/Troubleshooting Instructions . . . . . | 10   |
| Operation . . . . .                                        | 5-6  | Repair Parts . . . . .                                | 11   |
|                                                            |      | Warranty . . . . .                                    | 12   |

# IMPORTANT SAFETY INSTRUCTIONS

Safety is a combination of using common sense, staying alert, and knowing how your Air Mover works.

## Safety Signal Words

**▲ DANGER:** Indicates a hazardous situation which, if not avoided, **will** result in death or serious injury.

**▲ WARNING:** Indicates a hazardous situation which, if not avoided, **could** result in death or serious injury.

**▲ CAUTION:** Indicates a hazardous situation which, if not avoided, **could** result in minor or moderate injury.

When using your Air Mover, always follow basic safety precautions including the following:

## ▲ WARNING

**- To reduce the risk of fire, electric shock, or injury:**

- Read and understand this manual and all labels on the Air Mover before operating.
- Use only as described in this manual.
- To reduce the risk of electric shock, do not expose to rain, or immerse in or use in standing water. Store and use indoors only.
- Use only with GFCI-protected outlets.
- When storing, do not stack Air Movers more than 2 units high.
- Do not use an extension cord with this Air Mover.
- Electrical appliances can ignite flammable vapors or dust. Do not use near combustible liquids, gases, or dusts.
- Do not leave plugged into outlet when not in use or when servicing. Turn off before unplugging.
- To reduce the risk of stirring up and inhaling toxic vapors, do not use near toxic or hazardous materials.
- Never operate with safety grills removed.
- This unit's motor has an automatically-operated thermal protective device which may shut down the unit during operation and can restart at any moment. Unplug before servicing or cleaning.
- Do not use with solid state speed control device.
- This Air Mover is not intended for use by persons (including children) with reduced physical, sensory, or mental capabilities, or lack of experience and knowledge, unless they have been given supervision or instruction concerning use of the appliance by a person responsible for their safety.
- Do not allow to be used as a toy. Close attention is necessary when used by or near children.
- Do not unplug by pulling on cord. To unplug, grasp the plug, not the cord.
- Do not use with damaged cord, plug, or other parts.
- If your Air Mover is not working as it should, has missing parts, has been dropped, damaged, left outdoors, or dropped into water, call customer service.
- Do not pull or carry by cord, use cord as handle, close a door on cord, or pull cord around sharp edges or corners. Keep cord away from heated surfaces.



- Do not run cord under carpeting. Do not cover cord with throw rugs, runners, or similar coverings. Do not route cord under furniture or appliances. Arrange cord away from traffic area and where it will not be tripped over.
- Do not handle plug, switch, or the Air Mover with wet hands.
- Observe the 8 Amp maximum on-board convenience outlet rating when interconnecting units together.
- Do not put any object into air intake openings.
- Keep hair, loose clothing, fingers, and all parts of body away from openings and moving parts.
- Direct air discharge only at work area. Do not direct air at bystanders.
- All disassembly and repairs should be performed by qualified personnel.
- Do not operate any fan with a damaged cord or plug. Discard fan or return to an authorized service facility for examination and/or repair.

---

**▲ CAUTION:**

- For dusty operations, wear dust mask.
  - Do not move or carry Air Mover when it is operating.
  - Only operate on a level and stable surface to prevent it from falling and possibly causing injury or damage to unit.
- 

Observe the following warnings that appear on the motor housing of your Air Mover:

**▲ WARNING: To reduce the risk of electric shock, connect only to a GFCI protected outlet. Do not expose to water or rain. Indoor use only.**

**▲ CAUTION:**

- This Air Mover has an automatic motor shutoff device; it may restart without notice. To reduce the risk of injury, unplug before servicing.
- Do not use an extension cord with this fan.

**▲ WARNING: TO REDUCE THE RISK OF TIP-OVER DURING STORAGE, STACK 2-HIGH ONLY.**

**▲ WARNING: Do not exceed 8 Amps through the on-board convenience outlets.**

## SAVE THIS MANUAL

### Motor Specifications and Electrical Requirements

---

This Air Mover is provided with a 3-speed, 115 volt, 60 Hz induction motor with a grounding conductor. It is thermally protected and will automatically shut down if over-heated. Once it cools, the motor will restart automatically if not unplugged.

In the event of a malfunction or breakdown, grounding provides a path of least resistance for electric current to reduce the risk of electric shock.

This Air Mover is equipped with an electric cord having an equipment grounding conductor and a grounding plug. The plug must be plugged into a matching outlet that is properly installed and grounded in accordance with all local codes and ordinances.

Do not modify the plug provided. If it will not fit the outlet, have the proper outlet installed by a qualified electrician.

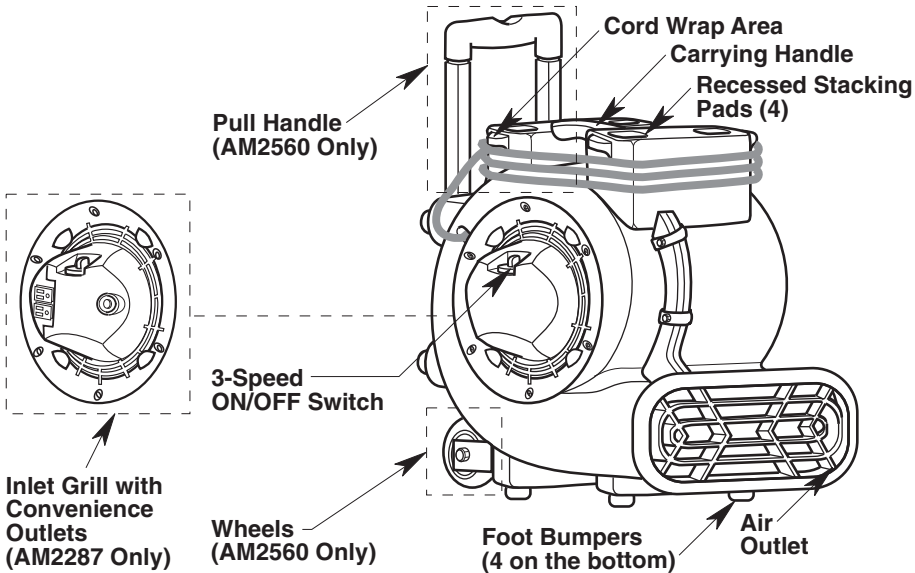
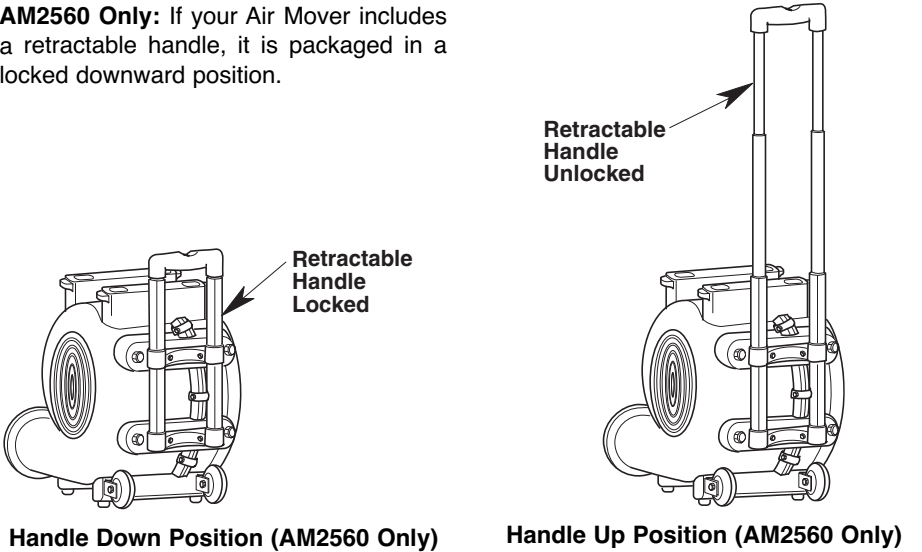
# Introduction

Air Movers are designed to move large volumes of air. They are used to dry wet carpets, floors and furniture. They may also be used for ventilation.

# Unpacking and Checking Carton Contents

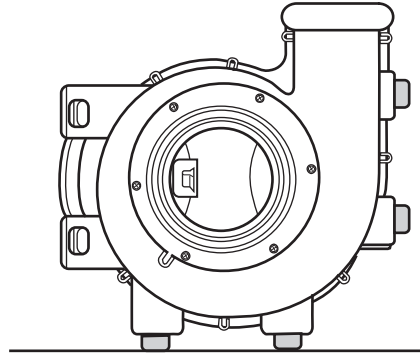
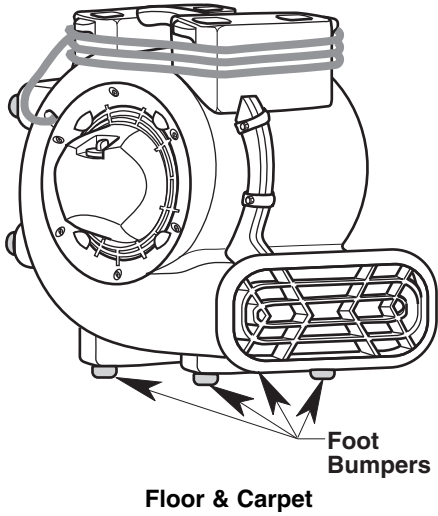
Carefully unpack and inspect your Air Mover. Call 1-800-4-RIDGID (1-800-474-3443) or E-mail us at info@RIDGIDvac.com if any parts are damaged or missing.

**AM2560 Only:** If your Air Mover includes a retractable handle, it is packaged in a locked downward position.

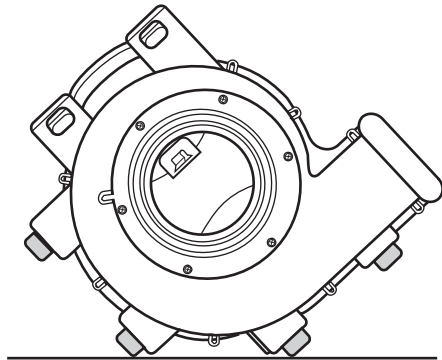


# Operation

Place Air Mover in desired operating position (Your Unit May Not Be As Illustrated):



90° Ceilings & Ventilation



45° Walls & Ventilation



## Operation (continued)

---

### Air Mover Interconnection

RIDGID Air Movers (AM22870) can be interconnected in series using the AM22870 convenience outlets. If utilizing the series interconnection feature, only use Air Movers that total less than the recommended 7.9 Amp maximum convenience outlet rating. The 8 Amp on-board circuit breaker will allow up to two (2) additional RIDGID Air Movers to run on the first Air Mover at the same time.

**NOTE:** This Air Mover AM22870 is equipped with convenience outlets with an on-board 8 Amp circuit breaker. If the convenience outlet overloads, the circuit breaker will trip. If the circuit breaker does trip, turn the switch to the off position and unplug all units then press the circuit breaker reset button. Plug the units back into the power source. The on-board convenience outlets on the Air Mover will be actively powered when the Air Mover is plugged in and the circuit breaker is properly reset.

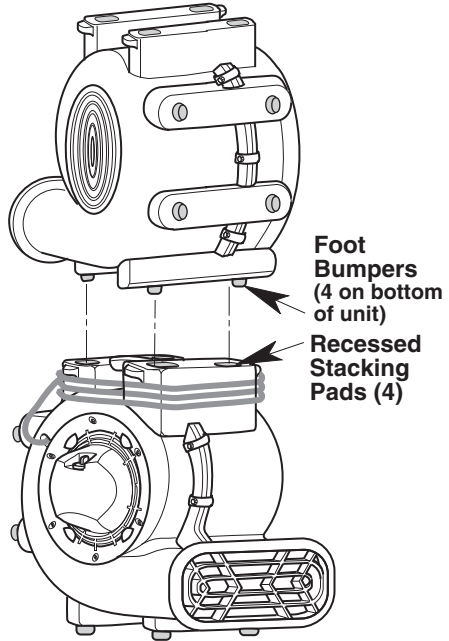


# Storage

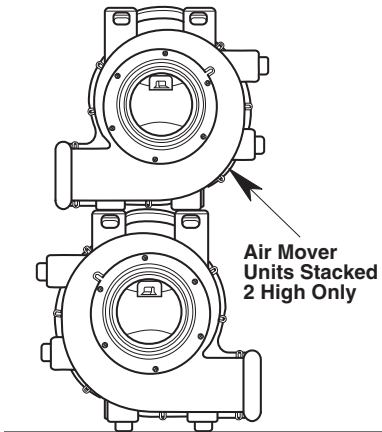
When stacking units, position the four foot bumpers on the recessed stacking pads.

The units conveniently “stack” for storage, as shown.

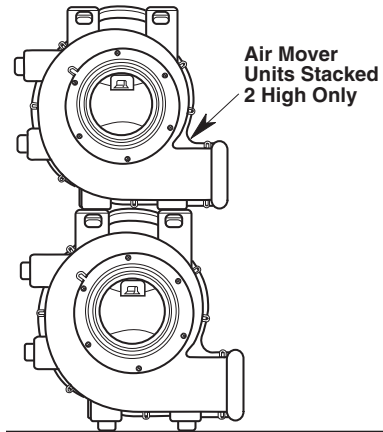
**⚠ CAUTION: Do not operate Air Mover when stacked on top of each other.  
Do not stack more than 2 high.**



## PREFERRED POSITION



## ALTERNATE POSITION



(Your Unit May Not Be As Illustrated)

# Maintenance

## Cord Maintenance

When use is complete, unplug the cord and wrap it around the cord wrap area as shown. If the power cord is damaged, it must be replaced by the manufacture or their service agent or by qualified personnel in order to reduce the risk of accident.

## Storage

Before storing your Air Mover, the cord should be wrapped around the unit. The Air Mover should be stored indoors.

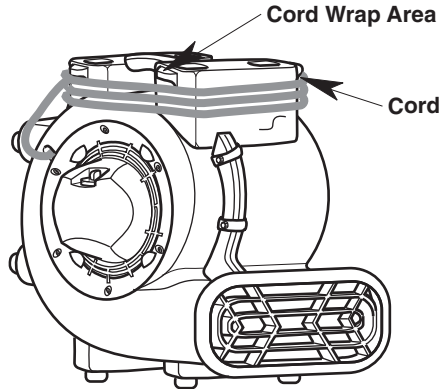
## Cleaning Your Air Mover

If the polypropylene housing becomes soiled it may be wiped off with a damp cloth.

## Wheels (AM2560 Only)

If your wheels are noisy, you may put a drop of oil on the roller shaft to make them quieter.

**⚠ WARNING:** After servicing, any safety device (includes grilles, impeller, etc.) should be reinstalled or remounted.

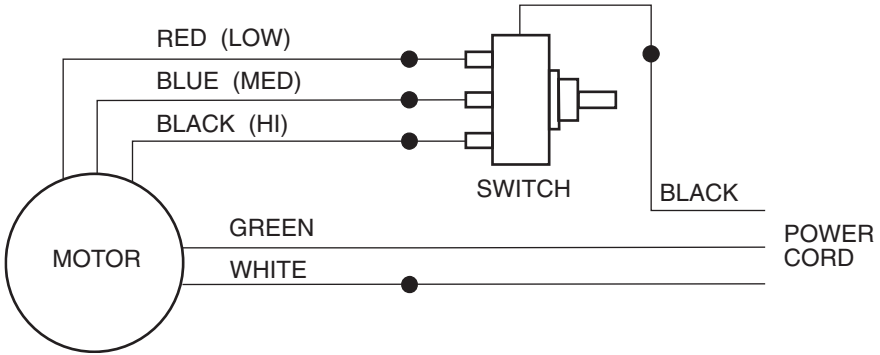


(Your Unit May Not Be As Illustrated)

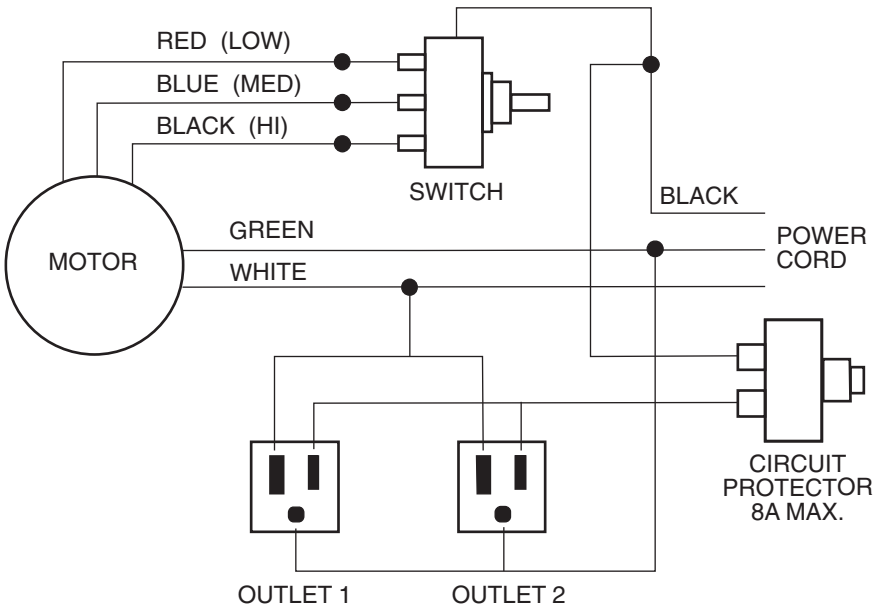


# Wiring Diagrams

## AM2560 & AM2286:



## AM2287:



# User Servicing / Troubleshooting

## Instructions

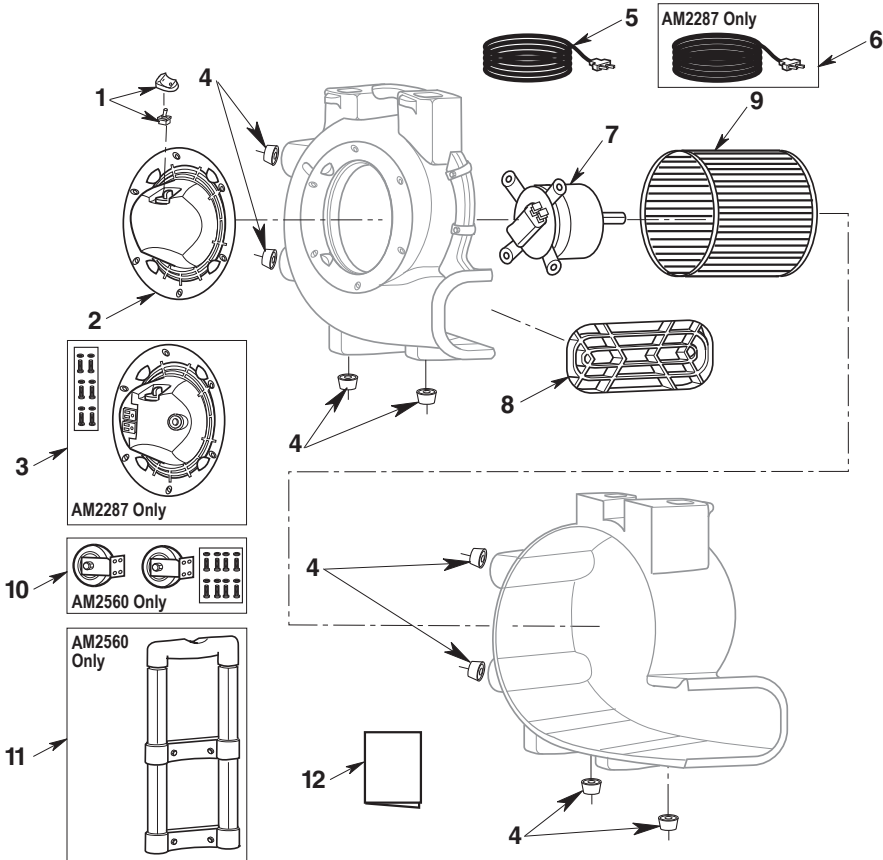
**▲ WARNING: Unplug before any disassembly or servicing.**

**▲ WARNING: All disassembly and repairs should be performed by qualified personnel.**

| PROBLEM                                            | CAUSE                                                                                                                                                                                                                                            | SOLUTION                                                                                                                                                                                                              |
|----------------------------------------------------|--------------------------------------------------------------------------------------------------------------------------------------------------------------------------------------------------------------------------------------------------|-----------------------------------------------------------------------------------------------------------------------------------------------------------------------------------------------------------------------|
| Unit will not run.                                 | <ol style="list-style-type: none"> <li>1. No power to unit.</li> <li>2. Switch not on.</li> <li>3. Switch is faulty.</li> <li>4. Faulty/broken cord or motor wire.</li> </ol>                                                                    | <ol style="list-style-type: none"> <li>1. Plug unit in. Check circuit breaker.</li> <li>2. Place in "ON" position.</li> <li>3. Replace switch.</li> <li>4. Perform continuity check, using volt/amp meter.</li> </ol> |
| Unit runs but air mover makes loud scraping noise. | <ol style="list-style-type: none"> <li>1. Unit has been severely jolted causing blower wheel to rub against housing.</li> <li>2. Unit has been severely jolted causing housing to deform.</li> </ol>                                             | <ol style="list-style-type: none"> <li>1. Remove motor and replace damaged motor if necessary.</li> <li>2. Replace blower wheel.</li> </ol>                                                                           |
| Unit runs but vibrates excessively.                | <ol style="list-style-type: none"> <li>1. Severe jolt has bent motor shaft causing unit to be out of balance.</li> <li>2. Blower wheel blade damaged.</li> <li>3. Dirt build up on one side of Air Mover blower wheel.</li> </ol>                | <ol style="list-style-type: none"> <li>1. Remove and replace motor.</li> <li>2. Replace blower wheel if necessary.</li> <li>3. Clean blower wheel blades.</li> </ol>                                                  |
| Unit runs but blower wheel does not turn.          | <ol style="list-style-type: none"> <li>1. Blower wheel is jammed against housing.</li> <li>2. Capacitor wire has broken/ come loose, capacitor has failed.</li> <li>3. Housing has been damaged such that it presses on blower wheel.</li> </ol> | <ol style="list-style-type: none"> <li>1. Adjust and replace blower wheel if necessary.</li> <li>2. Repair/replace motor if necessary.</li> <li>3. Replace unit as necessary.</li> </ol>                              |
| Unit runs briefly, then shuts off on overload.     | <ol style="list-style-type: none"> <li>1. Motor bearings are failing or motor has developed an internal electrical fault.</li> <li>2. Intake grille and/or exhaust grille is obstructed.</li> </ol>                                              | <ol style="list-style-type: none"> <li>1. Replace motor.</li> <li>2. Remove obstruction.</li> </ol>                                                                                                                   |
| Convenience outlet not working. (if equipped)      | <ol style="list-style-type: none"> <li>1. No power to unit.</li> <li>2. Convenience outlet circuit breaker not reset.</li> </ol>                                                                                                                 | <ol style="list-style-type: none"> <li>1. Plug unit in.</li> <li>2. Reset circuit breaker.</li> </ol>                                                                                                                 |

# Repair Parts

**Three Speed Air Mover**  
**Model Numbers AM22860, AM22870 or AM25600**  
**RIDGID parts are available on-line at [www.RIDGIDparts.com](http://www.RIDGIDparts.com)**  
 Always order by Part Number - Not by Key Number



| Key No. | Part Number | Description                                                 |
|---------|-------------|-------------------------------------------------------------|
| 1       | 510141      | Switch & Knob                                               |
| 2       | 833658      | Grille, Inlet<br>AM2560 & AM2286                            |
| 3       | 510551      | Grille, Inlet (with Convenience Outlets & Hardware), AM2287 |
| 4       | 833690      | Foot Bumpers (4 pack)                                       |
| 5       | 833675      | Cord with Plug                                              |

| Key No. | Part Number | Description            |
|---------|-------------|------------------------|
| 6       | 841368      | Cord with Plug, AM2287 |
| 7       | 833674      | Motor                  |
| 8       | 833659      | Grille, Exhaust        |
| 9       | 833660      | Blower Wheel           |
| 10      | 510140      | Wheel Assembly, AM2560 |
| 11      | 833691      | Pull Handle, AM2560    |
| 12      | SP7019      | Owner's Manual         |



## Symbol of Quality, Durability and Dependability

### What is covered

RIDGID® tools are warranted to be free of defects in workmanship and material.

### How long coverage lasts

This warranty lasts for the lifetime of the RIDGID® tool. Warranty coverage ends when the product becomes unusable for reasons other than defects in workmanship or material.

### How can you get service

To obtain the benefit of this warranty, deliver via prepaid transportation the complete product to RIDGE TOOL COMPANY, Elyria, Ohio, or any authorized RIDGID® INDEPENDENT SERVICE CENTER. Pipe wrenches and other hand tools should be returned to the place of purchase.

### What we will do to correct problems

Warranted products will be repaired or replaced, at RIDGE TOOL's option, and returned at no charge; or, if after three attempts to repair or replace during the warranty period the product is still defective, you can elect to receive a full refund of your purchase price.

### What is not covered

Failures due to misuse, abuse or normal wear and tear are not covered by this warranty. RIDGE TOOL shall not be responsible for any incidental or consequential damages.

### How local law relates to the warranty

Some states do not allow the exclusion or limitation of incidental or consequential damages, so the above limitation or exclusion may not apply to you. This warranty gives you specific rights, and you may also have other rights, which vary, from state to state, province to province, or country to country.

### No other express warranty applies

This FULL LIFETIME WARRANTY is the sole and exclusive warranty for RIDGID® products. No employee, agent, dealer, or other person is authorized to alter this warranty or make any other warranty on behalf of the RIDGE TOOL COMPANY.

**Stock No. AM2286, AM2287, AM2560**

**Model No. AM22860, AM22870, AM25600**

Model and serial number may be found on the back of the unit.

You should record both model and serial numbers in a safe place for future use.

**FOR QUESTIONS OR INFORMATION CONTACT US AT  
1-800-4-RIDGID (1-800-474-3443) from the US and Canada  
01-800-701-9811 from Mexico  
www.RIDGIDvacs.com**

**Please have your Model Number and Serial Number on hand when calling.**



**EMERSON™**  
**www.RIDGID.com**

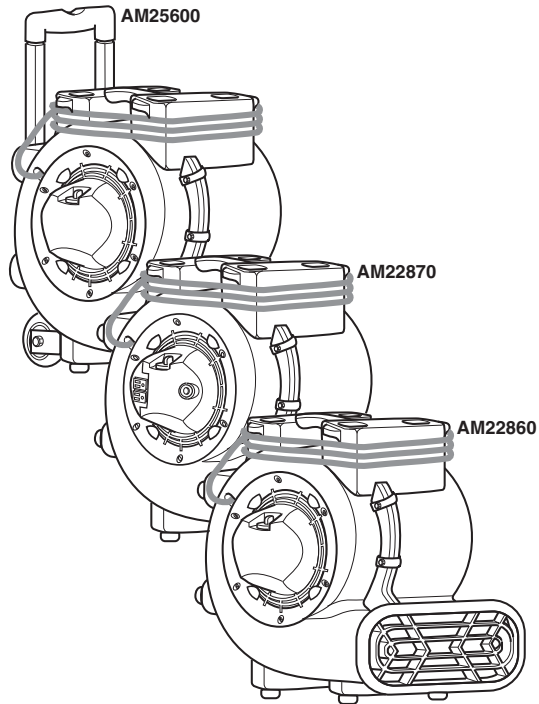
© 2017 Emerson



## MANUAL DEL USUARIO

DESPLAZADOR DE AIRE  
DE TRES VELOCIDADES

**AM25600**  
**AM22870**  
**AM22860**



**¿PREGUNTAS O COMENTARIOS? COMUNÍQUESE CON NOSOTROS EN**  
**1-800-4-RIDGID (1-800-474-3443) desde los EE.UU. y Canadá**  
**01-800-701-9811 desde México**  
**[www.RIDGIDvacs.com](http://www.RIDGIDvacs.com)**

**▲ ADVERTENCIA:** Para reducir el riesgo de lesiones, el usuario debe leer y entender el manual del usuario antes de utilizar este producto.

Gracias por comprar un producto RIDGID.

• Français – page 25

**GUARDE ESTE MANUAL PARA REFERENCIA FUTURA**

No. de pieza SP7019

Impreso en México

# Índice

| Sección                                                                   | Página | Sección                                                                           | Página |
|---------------------------------------------------------------------------|--------|-----------------------------------------------------------------------------------|--------|
| Instrucciones de seguridad importantes. . . . .                           | 14-15  | Almacenamiento. . . . .                                                           | 19     |
| Especificaciones del motor y requisitos eléctricos. . . . .               | 15     | Mantenimiento . . . . .                                                           | 20     |
| Introducción. . . . .                                                     | 16     | Diagrama de cableado. . . . .                                                     | 21     |
| Desempaquetado y comprobación del contenido de la caja de cartón. . . . . | 16     | Instrucciones de mantenimiento y resolución de problemas por el usuario . . . . . | 22     |
| Utilización. . . . .                                                      | 17-18  | Piezas de repuesto. . . . .                                                       | 23     |
|                                                                           |        | Garantía. . . . .                                                                 | 24     |

## INSTRUCCIONES DE SEGURIDAD IMPORTANTES

La seguridad es una combinación de usar el sentido común, mantenerse alerta y saber cómo funciona su desplazador de aire.

### Palabras de señal de seguridad

**▲ PELIGRO:** indica una situación peligrosa que, si no se evita, **causará** la muerte o lesiones graves.

**▲ ADVERTENCIA:** indica una situación peligrosa que, si no se evita, **podría causar** la muerte o lesiones graves.

**▲ PRECAUCIÓN:** indica una situación peligrosa que, si no se evita, **podría causar** lesiones leves o moderadas

Al usar el desplazador de aire, siga las precauciones básicas de seguridad, incluyendo las siguientes.

### ▲ ADVERTENCIA

– Para reducir el riesgo de incendio, sacudidas eléctricas o lesiones:

- Lea y entienda el manual del usuario y todas las etiquetas que están en el desplazador de aire antes de usarlo.
- Utilice la unidad únicamente de la manera que se describe en este manual.
- Para reducir el riesgo de descargas eléctricas, no exponga la unidad a la lluvia ni la sumerja o use en agua estancada. Almacene y use la unidad sólo en lugares interiores.
- Utilice la unidad sólo con tomacorrientes protegidos con un interruptor GFCI.
- Cuando almacene o transporte los desplazadores de aire, no los apile más de 2 unidades una sobre otra.
- No use un cordón de extensión con este desplazador de aire.
- Los electrodomésticos pueden incendiar los vapores o polvos inflamables. No use la unidad cerca de líquidos, gases o polvos inflamables.
- No deje la unidad enchufada en un tomacorriente cuando no se esté usando o cuando se le esté haciendo servicio de ajustes y reparaciones. Apáguela antes de desenchufarla.
- Para reducir el riesgo de levantar e inhalar vapores tóxicos, no use la unidad cerca de materiales tóxicos o peligrosos.
- No utilice nunca la unidad con las rejillas de seguridad retiradas.
- El motor de esta unidad tiene un dispositivo protector térmico operado automáticamente que podrá apagar la unidad durante el funcionamiento y puede rearmarla en cualquier momento. Desenchufe la unidad antes de hacerle servicio de ajustes y reparaciones o limpiarla.
- No utilice la unidad con un dispositivo de control de velocidad de estado sólido.
- Esta unidad no está diseñado para ser utilizado por personas (incluyendo niños) con capacidades físicas, sensoriales o mentales reducidas, o con falta de experiencia y conocimientos, a menos que una persona responsable de su seguridad les haya dado supervisión o entrenamiento en relación con el uso del electrodoméstico.
- No permita que la unidad se utilice como un juguete. Se necesita prestar máxima atención cuando sea utilizada por niños o cerca de éstos.
- No desenchufe la unidad tirando del cordón. Para desenchufarla, agarre el enchufe y no el cordón.
- No use la unidad con el cordón dañado, el enchufe dañado u otras piezas dañadas.
- Si la unidad no funciona como debe, le faltan piezas, se ha caído, ha sido dañada, se ha dejado a la intemperie o se ha caído al agua, llame a servicio al cliente.
- No tire de la unidad usando el cordón ni la lleve por el cordón, ni use el cordón como asa, ni cierre una puerta sobre el cordón, ni tire del cordón alrededor de bordes o esquinas afilados. Mantenga el cordón alejado de las superficies calientes.

- No pase el cable de alimentación por debajo de las alfombras. No cubra dicho cable con alfombrillas, alfombras de pasillo o cubiertas similares. No encamine el cable de alimentación por debajo de muebles o electrodomésticos. Ubique dicho cable alejándolo del área de tráfico y donde nadie se tropiece con él.
- No maneje el enchufe, el interruptor o el desplazador de aire con las manos mojadas.
- No sobrepase la capacidad nominal máxima de 8 A para los tomacorrientes de conveniencia de a bordo cuando interconecte las unidades una con otra.
- No ponga ningún objeto en las aberturas de entrada de aire.
- Mantenga el pelo, la ropa holgada, los dedos y todas las partes del cuerpo alejados de las aberturas y de las piezas móviles.
- Dirija la descarga de aire solamente hacia el área de trabajo. No dirija el aire hacia las personas que estén presentes.
- Todo el desensamblaje y todas las reparaciones deberán ser realizados por personal calificado.

#### **⚠ PRECAUCIÓN:**

- Para operaciones que generan polvo, use una máscara antipolvo.
- No mueva ni transporte el desplazador de aire cuando esté funcionando.
- Utilice la unidad solamente sobre una superficie nivelada y estable para evitar que se caiga y posiblemente cause lesiones o se dañe la unidad.

- No utilice ningún ventilador que tenga un cable o un enchufe dañado. Deseche el ventilador o devuélvalo a un centro de servicio autorizado para que lo examinen y/o reparen.

Haga caso de las siguientes advertencias que aparecen en la carcasa del motor del desplazador de aire:

**⚠ ADVERTENCIA: Para reducir el riesgo de descargas eléctricas, conecte la unidad sólo a un tomacorriente protegido con un interruptor GFCI. No exponga la unidad al agua ni a la lluvia. Uso en lugares interiores solamente.**

#### **⚠ PRECAUCIÓN:**

- Esta unidad tiene un dispositivo de apagado automático del motor; puede rearrancar sin aviso. Para reducir el riesgo de lesiones, desenchufe la unidad antes de hacerle servicio de ajustes y reparaciones.
- No utilice un cordón de extensión con este ventilador.

**⚠ ADVERTENCIA: PARA REDUCIR EL RIESGO DE VUELCO DURANTE EL ALMACENAMIENTO O EL TRANSPORTE, APILE SÓLO 2 UNIDADES UNA SOBRE OTRA.**

**⚠ ADVERTENCIA: No exceda 8 A a través de los tomacorrientes de conveniencia de a bordo.**

## GUARDE ESTE MANUAL

### Especificaciones del motor y requisitos eléctricos

Este desplazador de aire está equipado con un motor de inducción de 115 V, 60 Hz de 3 velocidades que tiene un conductor de conexión a tierra. Está protegido térmicamente y se apagará automáticamente si se sobrecalienta. Una vez que se enfríe, el motor reanudará automáticamente si la unidad no está desenchufada.

En caso de mal funcionamiento o avería, la conexión a tierra proporciona una ruta de resistencia mínima para la corriente eléctrica con el fin de reducir el riesgo de descargas eléctricas.

Este desplazador de aire está equipado con un cordón eléctrico que tiene un conductor de conexión a tierra del equipo y un enchufe de conexión a tierra. El enchufe debe enchufarse en un tomacorriente coincidente que esté instalado y conectado a tierra adecuadamente, de acuerdo con todos los códigos y ordenanzas locales.

No modifique el enchufe suministrado. Si no cabe en el tomacorriente, haga que un electricista calificado instale el tomacorriente apropiado.

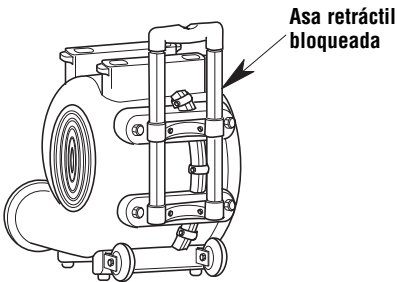
# Introducción

Los desplazadores de aire están diseñados para mover grandes volúmenes de aire. Se utilizan para secar alfombras, pisos y muebles mojados. También pueden utilizarse para proporcionar ventilación.

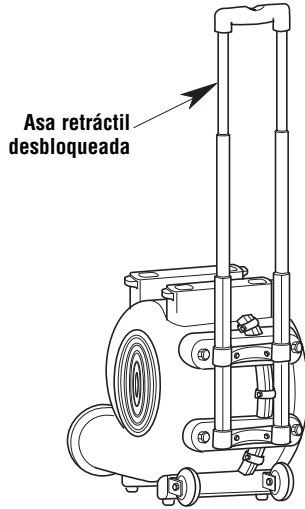
## Desempaquetado y comprobación del contenido de la caja de cartón

Desempaque e inspeccione cuidadosamente el desplazador de aire. Llame al 1-800-474-3443 o comuníquese con nosotros por correo electrónico dirigiéndose a [info@RIDGIDvacs.com](mailto:info@RIDGIDvacs.com) si alguna pieza está dañada o falta.

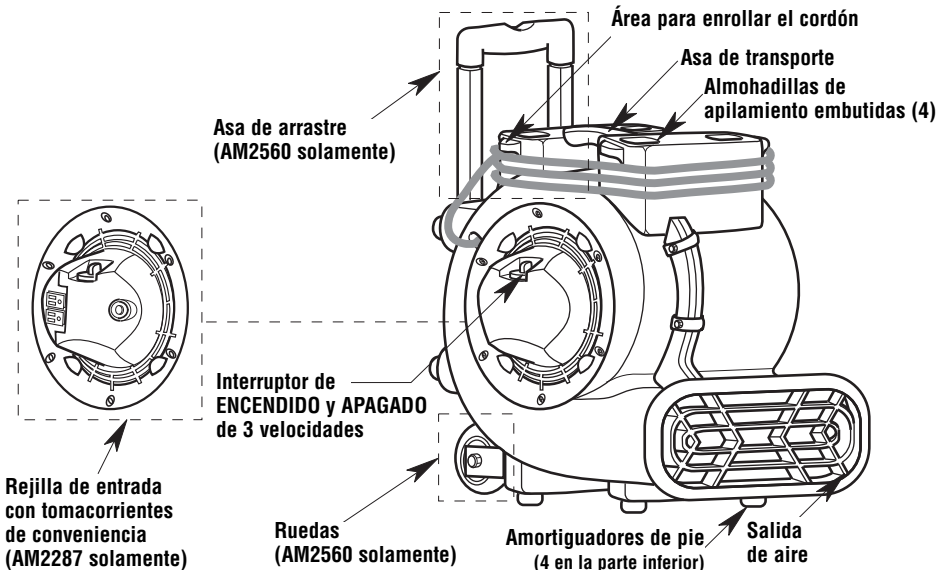
**AM2560 solamente:** Si su desplazador de aire incluye un asa retráctil, dicha asa está empacada en posición bloqueada hacia abajo.



Posición del asa hacia abajo (AM2560 solamente)



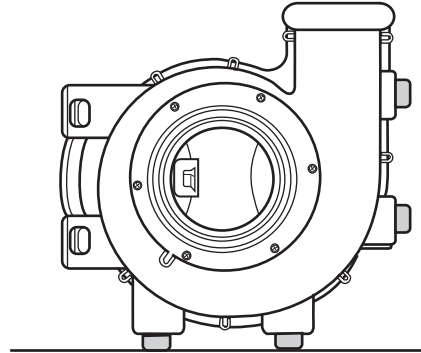
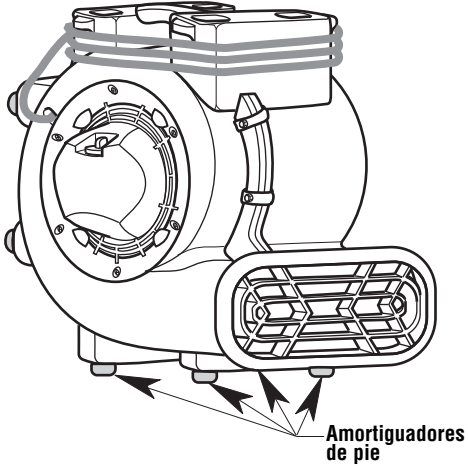
Posición del asa hacia arriba (AM2560 solamente)



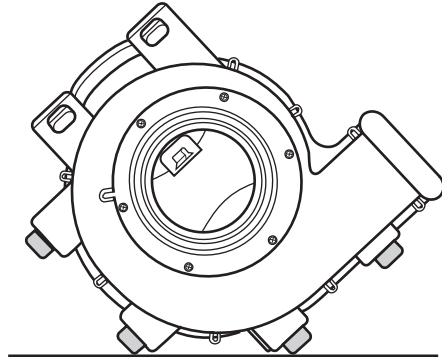


## Utilización

Coloque el desplazador de aire en la posición de funcionamiento deseada (**es posible que su unidad no sea como la que se ilustra**).



A 90° para techos y ventilación



Paredes y ventilación a 45°



## Utilización (continuación)

---

### Interconexión de los desplazadores de aire

Los desplazadores de aire RIDGID (AM22870) se pueden interconectar en serie utilizando los tomacorrientes de conveniencia AM22870. Si se está utilizando la función de interconexión en serie, utilice únicamente desplazadores de aire que totalicen menos de la capacidad nominal máxima recomendada de 7,9 A para los tomacorrientes de conveniencia. El cortacircuito de a bordo de 8 A permitirá que hasta dos (2) desplazadores de aire RIDGID adicionales funcionen al mismo tiempo recibiendo alimentación eléctrica del primer desplazador de aire.

**NOTA:** Este desplazador de aire AM22870 está equipado con tomacorrientes de conveniencia con un cortacircuito de 8 A que se encuentra a bordo. Si el tomacorriente de conveniencia se sobrecarga, el cortacircuito saltará. Si el cortacircuito salta, ponga el interruptor en la posición de apagado, desenchufe todas las unidades y luego presione el botón de restablecimiento del cortacircuito. Enchufe las unidades de vuelta en la fuente de alimentación. Los tomacorrientes de conveniencia que se encuentran a bordo del desplazador de aire recibirán alimentación eléctrica activamente al enchufar dicho desplazador y restablecer correctamente el cortacircuito.

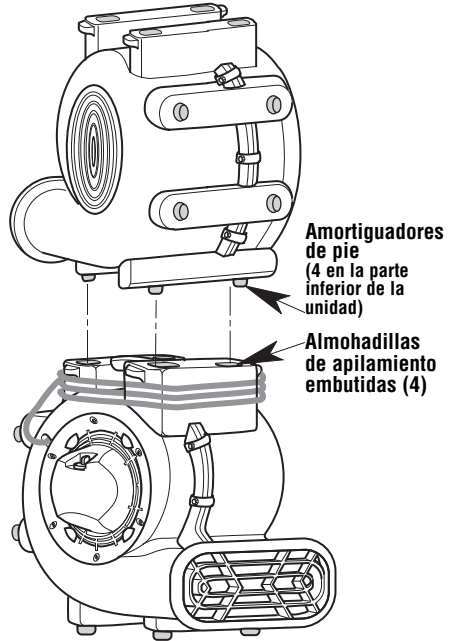


# Almacenamiento

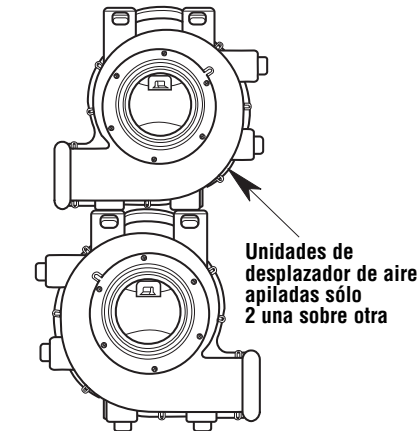
Cuando apile unidades, posicione los cuatro amortiguadores de pie sobre las almohadillas de apilamiento embutidas.

Las unidades se "apilan" convenientemente para su almacenamiento, de la manera que se muestra en la ilustración.

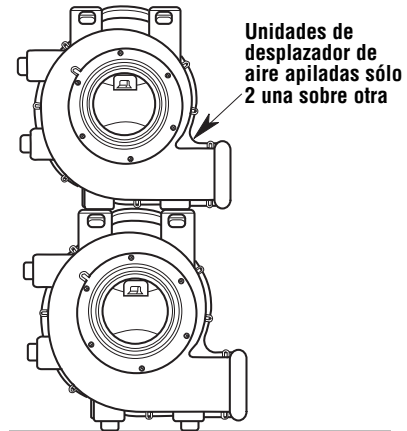
**⚠ PRECAUCIÓN:** No utilice el desplazador de aire cuando esté apilado sobre o bajo otro desplazador de aire. No apile más de 2 desplazadores de aire uno sobre otro.



## POSICIÓN PREFERIDA



## POSICIÓN ALTERNA



(Es posible que su unidad no sea como la que se ilustra)

## Mantenimiento

### Mantenimiento del cable de alimentación

Cuando se haya completado el uso, desenchufe el cable de alimentación y enróllelo alrededor del área para enrollar el cable, de la manera que se muestra en la ilustración. Si el cable de alimentación se daña, debe ser reemplazado por el fabricante o su agente de servicio, o por personal calificado, para reducir el riesgo de accidente.

**⚠ ADVERTENCIA:** Después de hacer servicio de ajuste y reparaciones, todo dispositivo de seguridad (incluyendo las rejillas, el impulsor, etc.) se debe reinstalar o remontar.

### Almacenamiento

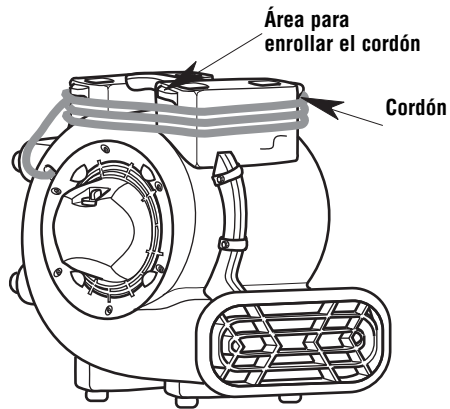
Antes de almacenar el desplazador de aire, el cable de alimentación se debe enrollar alrededor de la unidad. El desplazador de aire se debería almacenar en un lugar interior.

### Limpieza del desplazador de aire

Si la carcasa de polipropileno se ensucia, puede limpiarse usando un paño húmedo.

### Ruedas (AM2560 solamente)

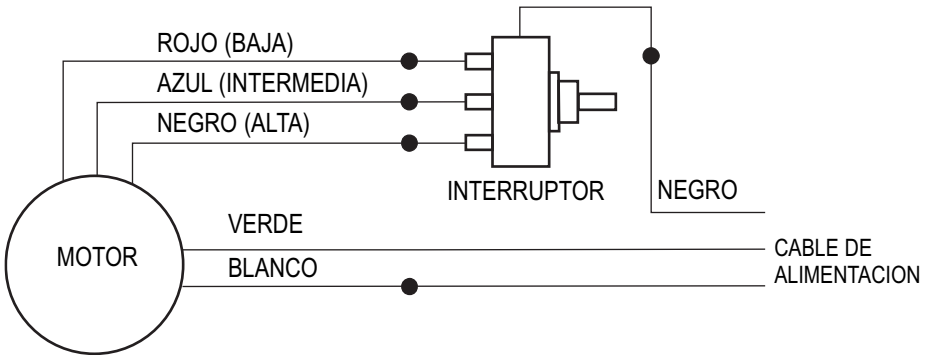
Si las ruedas hacen ruido, se puede poner una gota de aceite en el eje del rodillo para hacerlas más silenciosas.



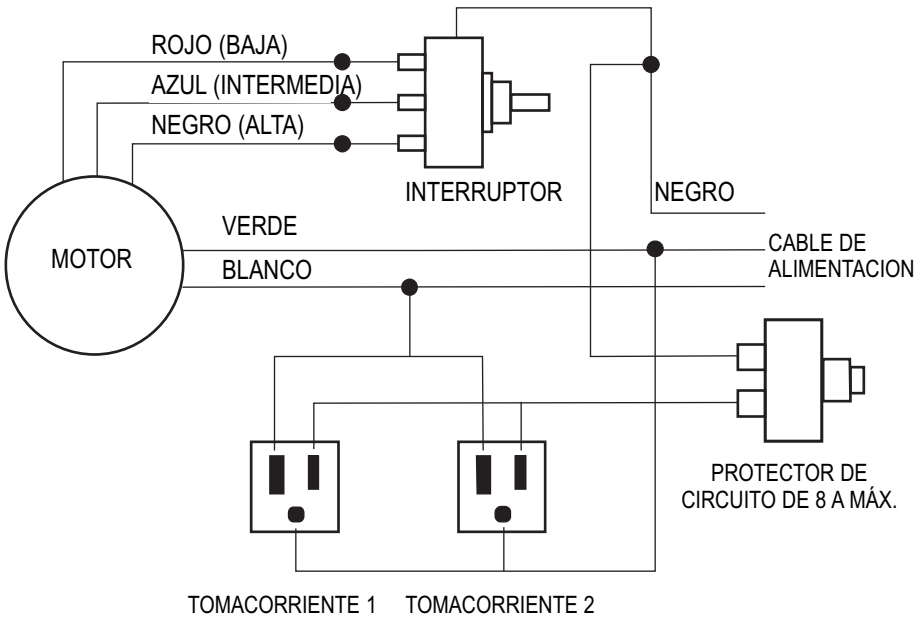
(Es posible que su unidad no sea como la que se ilustra)

# Diagramas de cableado

## AM2560 & AM2286:



## AM2287:



# Instrucciones de servicio de mantenimiento y resolución de problemas por el usuario

**⚠ ADVERTENCIA:** Desenchufe la unidad antes de cualquier desensamblaje o servicio de ajustes y reparaciones.

**⚠ ADVERTENCIA:** Todo el desensamblaje y todas las reparaciones deberán ser realizados por personal calificado.

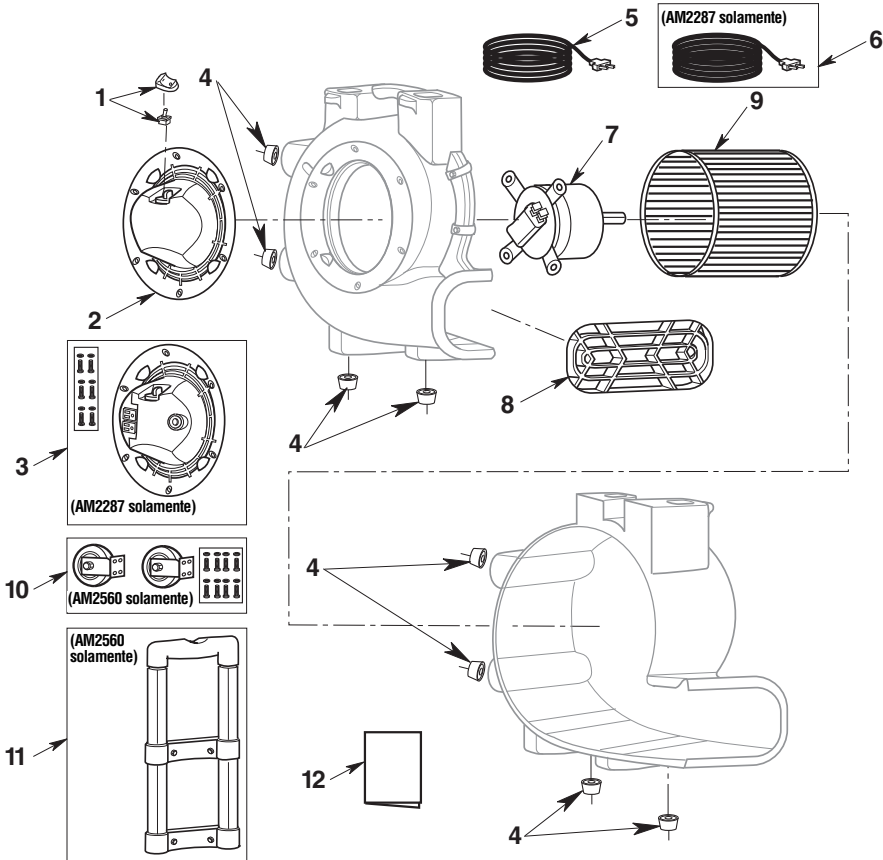
| PROBLEMA                                                                                           | CAUSA                                                                                                                                                                                                                                                                                          | SOLUCIÓN                                                                                                                                                                                                                                                                                           |
|----------------------------------------------------------------------------------------------------|------------------------------------------------------------------------------------------------------------------------------------------------------------------------------------------------------------------------------------------------------------------------------------------------|----------------------------------------------------------------------------------------------------------------------------------------------------------------------------------------------------------------------------------------------------------------------------------------------------|
| La unidad no funciona.                                                                             | <ol style="list-style-type: none"> <li>1. No hay alimentación eléctrica a la unidad.</li> <li>2. El interruptor no está en la posición de encendido.</li> <li>3. El interruptor está defectuoso.</li> <li>4. Cable de alimentación o cable del motor defectuoso/roto.</li> </ol>               | <ol style="list-style-type: none"> <li>1. Enchufe la unidad. Compruebe el cortacircuito.</li> <li>2. Ponga el interruptor en la posición de ENCENDIDO.</li> <li>3. Reemplace el interruptor.</li> <li>4. Realice una comprobación de continuidad, utilizando un voltímetro/amperímetro.</li> </ol> |
| La unidad funciona pero el desplazador de aire hace un ruido de raspado intenso.                   | <ol style="list-style-type: none"> <li>1. La unidad ha sido golpeada severamente, haciendo que la rueda del soplador roce contra la carcasa.</li> <li>2. La unidad ha sido golpeada severamente, haciendo que la carcasa se deforme.</li> </ol>                                                | <ol style="list-style-type: none"> <li>1. Retire el motor y reemplace el motor dañado si es necesario.</li> <li>2. Reemplace la rueda del soplador.</li> </ol>                                                                                                                                     |
| La unidad funciona pero vibra excesivamente.                                                       | <ol style="list-style-type: none"> <li>1. Un golpe severo ha doblado el eje del motor, haciendo que la unidad esté desbalanceada.</li> <li>2. Hoja de la rueda del soplador dañada.</li> <li>3. Suciedad acumulada en un lado de la rueda del soplador del desplazador de aire.</li> </ol>     | <ol style="list-style-type: none"> <li>1. Retire y reemplace el motor.</li> <li>2. Reemplace la rueda del soplador si es necesario.</li> <li>3. Limpie las hojas de la rueda del soplador.</li> </ol>                                                                                              |
| La unidad funciona pero la rueda del soplador no gira.                                             | <ol style="list-style-type: none"> <li>1. La rueda del soplador está atorada contra la carcasa.</li> <li>2. El cable del capacitor se ha roto o se ha aflojado, el capacitor ha fallado.</li> <li>3. La carcasa ha sido dañada, de manera que presiona sobre la rueda del soplador.</li> </ol> | <ol style="list-style-type: none"> <li>1. Ajuste y reemplace la rueda del soplador si es necesario.</li> <li>2. Repare/reemplace el motor si es necesario.</li> <li>3. Reemplace la unidad según sea necesario.</li> </ol>                                                                         |
| La unidad funciona brevemente y luego se apaga en sobrecarga.                                      | <ol style="list-style-type: none"> <li>1. Los cojinetes del motor están fallando o el motor ha desarrollado una falla eléctrica interna.</li> <li>2. La rejilla de la entrada y/o la rejilla de la salida está obstruida.</li> </ol>                                                           | <ol style="list-style-type: none"> <li>1. Reemplace el motor.</li> <li>2. Retire la obstrucción.</li> </ol>                                                                                                                                                                                        |
| El tomacorriente de conveniencia no funciona. (Si la unidad está equipada con dicho tomacorriente) | <ol style="list-style-type: none"> <li>1. No hay alimentación eléctrica a la unidad.</li> <li>2. El cortacircuito del tomacorriente de conveniencia no ha sido restablecido</li> </ol>                                                                                                         | <ol style="list-style-type: none"> <li>1. Enchufe la unidad.</li> <li>2. Restablezca el cortacircuito.</li> </ol>                                                                                                                                                                                  |

# Piezas de repuesto

## Desplazador de aire de tres velocidades – Números de modelos AM22860, AM22870 o AM25600

Las piezas RIDGID están disponibles en Internet conectándose a [www.RIDGIDparts.com](http://www.RIDGIDparts.com)

Pida siempre por número de pieza, no por número de clave



| No. de clave | No. de pieza | Descripción                                                                |
|--------------|--------------|----------------------------------------------------------------------------|
| 1            | 510141       | Interruptor y pomo                                                         |
| 2            | 833658       | Rejilla de la entrada AM2560 y AM2286                                      |
| 3            | 510551       | Rejilla de entrada (con tomacorrientes de conveniencia y herrajes), AM2287 |
| 4            | 833690       | Amortiguadores de pie (paquete de 4)                                       |
| 5            | 833675       | Cable de alimentación con enchufe                                          |

| No. de clave | No. de pieza | Descripción                               |
|--------------|--------------|-------------------------------------------|
| 6            | 841368       | Cable de alimentación con enchufe, AM2287 |
| 7            | 833674       | Motor                                     |
| 8            | 833659       | Rejilla de la salida                      |
| 9            | 833660       | Rueda del soplador                        |
| 10           | 510140       | Ensamblaje de rueda, AM2560               |
| 11           | 833691       | Asa de arrastre, AM2560                   |
| 12           | SP7019       | Manual del usuario                        |



## Símbolo de calidad, durabilidad y confiabilidad

### Qué está cubierto

Se garantiza que las herramientas RIDGID® están libres de defectos de fabricación y de materiales.

### Cuánto dura la cobertura

Esta garantía dura toda la vida de la herramienta RIDGID®. La cobertura de garantía termina cuando el producto se vuelva inutilizable por motivos que no sean defectos de fabricación o de materiales.

### Cómo puede obtener servicio

Para obtener el beneficio de esta garantía, envíe el producto completo mediante transporte prepago a RIDGE TOOL COMPANY, Elyria, Ohio, o a cualquier CENTRO DE SERVICIO INDEPENDIENTE RIDGID®. Las llaves para tubos y otras herramientas de mano deben devolverse al establecimiento de compra.

### Qué haremos para corregir los problemas

Los productos garantizados se repararán o reemplazarán, a opción de RIDGE TOOLS, y se devolverán sin cargo; o si después de tres intentos de reparar o reemplazar un producto durante el período de garantía dicho producto sigue presentando defectos, usted podrá optar por recibir un reembolso completo por la cantidad del precio de compra.

### Qué no está cubierto

Las averías debidas a uso incorrecto, abuso o desgaste por el uso normal no están cubiertas por esta garantía. RIDGE TOOL no será responsable de ningún daño incidental ni emergente.

### Cómo se relaciona la ley local con la garantía

Algunos estados no permiten la exclusión o limitación de los daños incidentales o emergentes, por lo que es posible que la limitación o exclusión que antecede no tenga aplicación en su caso. Esta garantía le confiere a usted derechos específicos y es posible que también tenga otros derechos, que varían de un estado a otro, una provincia a otra o un país a otro.

### Ninguna otra garantía expresa tiene aplicación

Esta GARANTÍA COMPLETA DE POR VIDA es la garantía única y exclusiva de los productos RIDGID®. Ningún empleado, agente, distribuidor u otra persona está autorizado a alterar esta garantía ni a dar ninguna otra garantía en nombre de RIDGE TOOL COMPANY.

**No. de existencias AM2286, AM2287, AM2560**

**No. de modelo AM22860, AM22870, AM25600**

El número de modelo y el número de serie se pueden encontrar en la parte trasera de la unidad. Debe anotar tanto el número de modelo como el de serie en un lugar seguro para uso futuro.

**¿PREGUNTAS O COMENTARIOS? COMUNÍQUESE CON NOSOTROS EN**

**1-800-4-RIDGID (1-800-474-3443) desde los EE.UU. y Canadá**

**01-800-701-9811 desde México**

**www.RIDGIDvacs.com**

**Por favor, tenga a mano su número de modelo y número de serie cuando llame.**

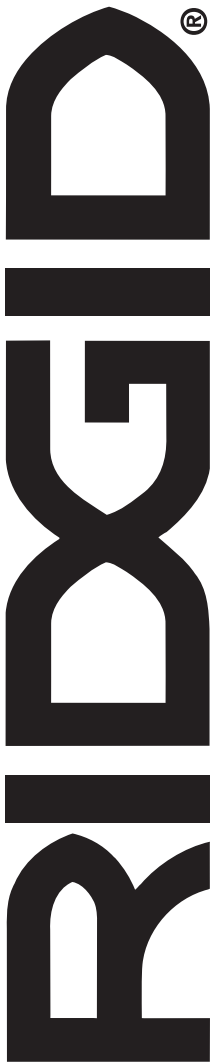


**EMERSON™**

**www.RIDGID.com**

© 2017 Emerson

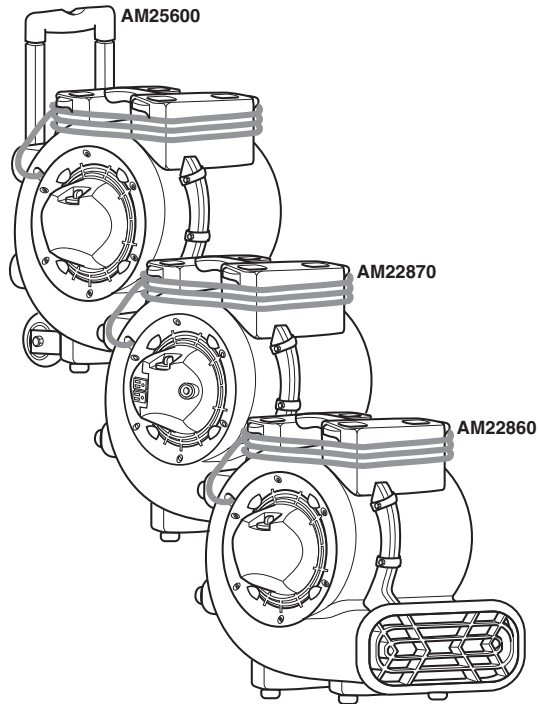




## MODE D'EMPLOI

APPAREIL DE VENTILATION  
À TROIS VITESSES

**AM25600**  
**AM22870**  
**AM22860**



EN CAS DE QUESTIONS OU POUR OBTENIR DES INFORMATIONS,  
VEUILLEZ NOUS CONTACTER AU :

**1-800-4-RIDGID (1-800-474-3443) depuis les États-Unis et le Canada**  
**01-800-701-9811 depuis le Mexique**

[www.RIDGIDvacs.com](http://www.RIDGIDvacs.com)

### ▲ AVERTISSEMENT :

Pour réduire le risque de blessure, l'utilisateur doit lire et comprendre le mode d'emploi avant d'utiliser ce produit.

Merci d'avoir acheté un produit RIDGID.

• Español – página 13

**CONSERVER CE MANUEL POUR RÉFÉRENCE FUTURE**



## Table des matières

| Sujet                                                         | Page  | Sujet                                                           | Page |
|---------------------------------------------------------------|-------|-----------------------------------------------------------------|------|
| Instructions importantes relatives à la sécurité.....         | 26-27 | Rangement.....                                                  | 31   |
| Spécifications du moteur et caractéristiques électriques..... | 27    | Entretien.....                                                  | 32   |
| Introduction.....                                             | 28    | Schéma de câblage.....                                          | 33   |
| Déballage et contrôle du contenu du carton.....               | 28    | Entretien par l'utilisateur/Instructions pour le dépannage..... | 34   |
| Fonctionnement.....                                           | 29-30 | Pièces de rechange.....                                         | 35   |
|                                                               |       | Garantie.....                                                   | 36   |

## INSTRUCTIONS IMPORTANTES RELATIVES À LA SÉCURITÉ

La sécurité est une combinaison de trois facteurs : faire preuve de bon sens, être vigilant et savoir comment l'appareil de ventilation fonctionne.

### Termes de signalisation de questions de sécurité

**▲ DANGER** : indique une situation dangereuse qui, si elle n'est pas évitée, **causera** la mort ou une blessure grave.

**▲ AVERTISSEMENT** : indique une situation dangereuse qui, si elle n'est pas évitée, **risque de causer** la mort ou une blessure grave.

**▲ MISE EN GARDE** : indique une situation dangereuse qui, si elle n'est pas évitée, **pourrait causer** une blessure légère ou modérée.

Il faut suivre les précautions fondamentales en matière de sécurité lors de l'utilisation de l'appareil de ventilation, notamment :

### ▲ AVERTISSEMENT – Pour réduire le risque d'incendie, de choc électrique ou de blessure :

- Il faut lire et comprendre ce mode d'emploi et toutes les étiquettes figurant sur l'appareil de ventilation avant de l'utiliser.
- N'utilisez l'appareil de ventilation que comme cela est décrit dans ce mode d'emploi.
- Pour réduire le risque de choc électrique, ne pas exposer pas à la pluie, et ne pas immerger ou utiliser dans de l'eau stagnante. N'utilisez et ne rangez cet appareil qu'à l'intérieur.
- Ne branchez que dans des prises protégées par un disjoncteur de fuite à la terre.
- Ne pas empiler les appareils de ventilation/ circulation d'air à raison de plus de deux appareils l'un sur l'autre lors du rangement.
- N'utilisez pas de rallonge avec cet appareil de ventilation.

- Les appareils électriques risquent de mettre feu aux vapeurs ou poussières inflammables. Ne pas utiliser à proximité de liquides, gaz ou poussières combustibles.
- Ne pas laisser l'appareil branché dans une prise de courant quand il n'est pas utilisé ou pendant la réalisation d'une opération de maintenance. Il faut l'éteindre avant de le débrancher.
- Pour réduire le risque de soulever de la poussière et d'inhaler des vapeurs toxiques, ne pas utiliser à proximité de matières toxiques ou dangereuses.
- Ne jamais utiliser avec les grilles de protection retirées.
- Le moteur de cet appareil comporte un dispositif de protection thermique à fonctionnement automatique qui peut éteindre l'appareil pendant le fonctionnement et peut le remettre en marche à tout moment. Il faut débrancher l'appareil avant de le nettoyer ou d'effectuer une opération de maintenance.
- Ne pas utiliser cet appareil avec un dispositif de commande de la vitesse à semi-conducteurs.
- Ce appareil n'est pas conçu pour emploi par des personnes (y compris des enfants) ayant des capacités physiques, sensorielles ou mentales réduites, ou qui n'ont pas l'expérience ou les connaissances nécessaires, sauf en cas de supervision ou d'instructions sur l'utilisation de cet appareil par une personne responsable de leur sécurité.
- Ne laissez pas les enfants se servir de l'appareil comme d'un jouet. Il faut surveiller de très près quand il est utilisé par des enfants ou à proximité d'enfants.
- Ne débranchez pas en tirant sur le cordon. Pour débrancher, saisissez la fiche – pas le cordon.
- N'utilisez pas l'appareil avec une fiche, un cordon ou un autre composant endommagé.
- Si votre appareil ne fonctionne pas comme il faut, s'il manque des pièces, s'il quelqu'un l'a laissé tomber, s'il est endommagé, s'il a été laissé à l'extérieur ou s'il est tombé dans de l'eau, téléphonez au service d'assistance à la clientèle.



- Ne tirez pas l'appareil et ne le portez pas par son cordon, n'utilisez pas le cordon pour servir de poignée, ne fermez pas une porte sur le cordon et ne laissez pas le cordon tendu passer sur des bords ou des coins tranchants. Maintenez le cordon à distance des surfaces chauffées.
- Ne pas acheminer le cordon sous de la moquette. Ne pas recouvrir le cordon par des tapis, des thibaudes ou des tissus d'ameublement similaires. Ne pas faire passer le cordon au-dessous de meubles ou d'appareils électroménagers. Arranger le cordon de façon qu'il ne soit pas dans des endroits très fréquentés et qu'il ne risque pas de faire trébucher des gens.
- Ne pas manipuler la fiche de l'appareil de ventilation avec des mains mouillées.
- Observez le maximum de 8 A dans les prises de courant confort intégrées lors de l'interconnexion de plusieurs appareils.
- Ne pas insérer de quelconques objets à l'intérieur des orifices de prise d'air.
- Gardez les cheveux, les vêtements flottants, les doigts et toutes les parties du corps à distance des orifices et des pièces mobiles.
- Ne dirigez la décharge d'air que vers la zone de travail. Ne dirigez pas l'air vers des personnes présentes à proximité.

#### **▲ MISE EN GARDE :**

- Portez un masque antipoussières en cas d'utilisation dans un environnement poussiéreux.
- Ne pas déplacer ou transporter l'appareil de ventilation pendant qu'il est en service.
- Ne l'utiliser que sur une surface horizontale et stable pour l'empêcher de tomber et de risquer de causer des blessures ou d'endommager l'appareil lui-même.

- Tous les démontages et toutes les réparations doivent être effectués par des techniciens qualifiés.
- Ne faites jamais fonctionner un ventilateur ayant une fiche ou un cordon d'alimentation endommagé. Mettez ce ventilateur au rebut ou apportez-le dans un centre de service après-vente agréé en vue d'examen et/ou de réparation.

Observer les avertissements suivants, qui figurent sur le carter du moteur de votre appareil de ventilation :

**▲ AVERTISSEMENT : Pour réduire le risque de choc électrique, ne brancher l'appareil de ventilation que dans une prise protégée par un disjoncteur de fuite à la terre. Ne pas exposer à l'eau ou à la pluie. Pour utilisation à l'intérieur seulement.**

#### **▲ MISE EN GARDE :**

- Ce appareil est muni d'un dispositif de fermeture automatique du moteur; il risque de se remettre en marche sans avertissement. Pour réduire le risque de blessure, débrancher avant d'effectuer une quelconque opération d'entretien.
- Ne pas utiliser de cordon de rallonge avec ce ventilateur.

**▲ AVERTISSEMENT : POUR RÉDUIRE LE RISQUE DE RENVERSEMENT PENDANT LE RANGEMENT, N'EMPILER QUE DEUX APPAREILS L'UN SUR L'AUTRE AU MAXIMUM.**

**▲ AVERTISSEMENT : Ne pas dépasser 8 A dans les prises de courant confort intégrées.**

## CONSERVER CE MANUEL

### Spécifications du moteur et caractéristiques électriques

Cet appareil de ventilation est pourvu d'un moteur à induction à trois vitesses de 115 volts, 60 Hz, avec un conducteur de mise à la terre. Il est protégé thermiquement et s'éteindra automatiquement en cas de surchauffe. Une fois refroidi, le moteur se remettra automatiquement en marche s'il n'a pas été débranché.

En cas de fonctionnement défectueux ou de panne de l'appareil, il est recommandé de prévoir une mise à la terre qui fournira un chemin de moindre résistance pour le courant électrique afin de réduire le risque de choc électrique.

Cet appareil de ventilation est muni d'un cordon électrique comportant un conducteur de mise à la terre pour les équipements et d'une fiche de mise à la terre. La fiche doit être branchée dans une prise de courant correspondante qui est installée correctement et mise à la terre conformément aux dispositions de toutes les ordonnances et de tous les codes locaux.

Il ne faut pas modifier la fiche fournie. Si elle n'est pas compatible avec la prise de courant, demandez à un électricien agréé d'installer une prise appropriée.

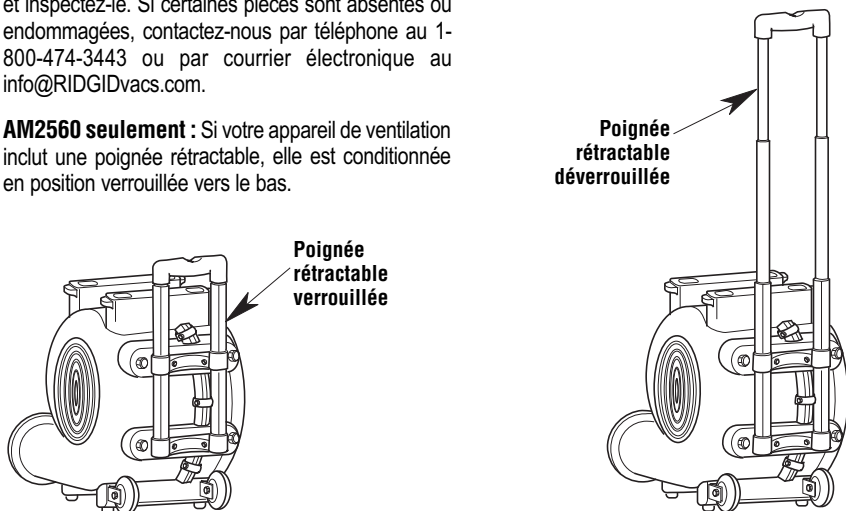
# Introduction

Les appareils de ventilation sont conçus pour déplacer de larges volumes d'air. Ils sont utilisés pour le séchage de moquettes et tapis, planchers ou meubles ayant souffert de l'humidité. Ils peuvent également servir à la ventilation.

## Déballage et vérification du contenu de la boîte en carton

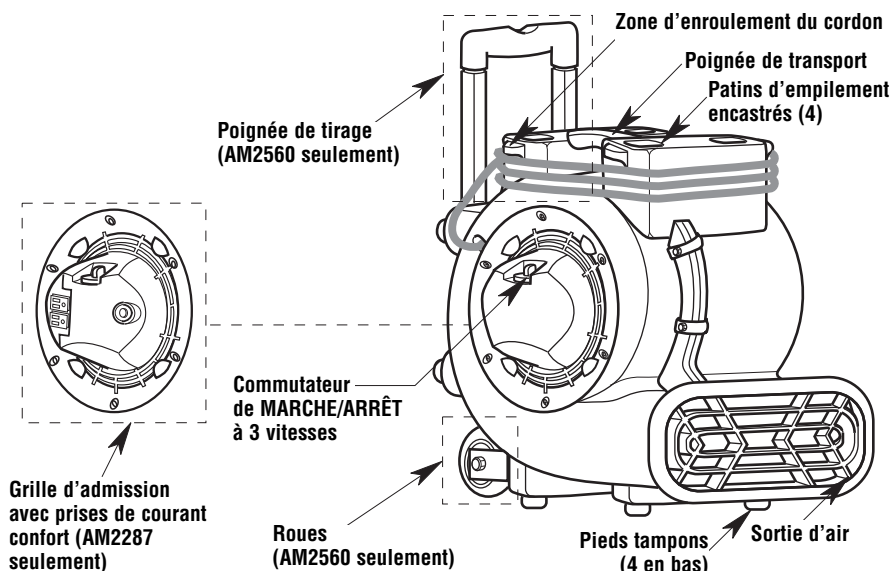
Déballez soigneusement votre appareil de ventilation et inspectez-le. Si certaines pièces sont absentes ou endommagées, contactez-nous par téléphone au 1-800-474-3443 ou par courrier électronique au [info@RIDGIDvacs.com](mailto:info@RIDGIDvacs.com).

**AM2560 seulement** : Si votre appareil de ventilation inclut une poignée rétractable, elle est conditionnée en position verrouillée vers le bas.



Poignée en position abaissée (AM2560 seulement)

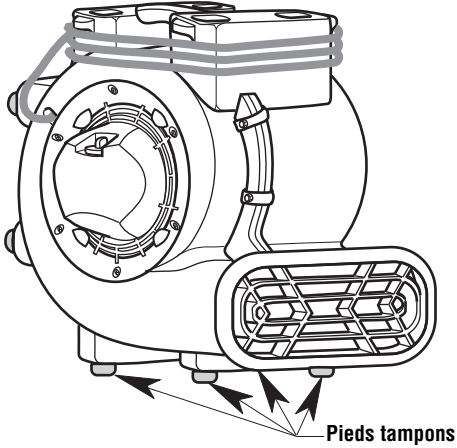
Poignée en position relevée (AM2560 seulement)



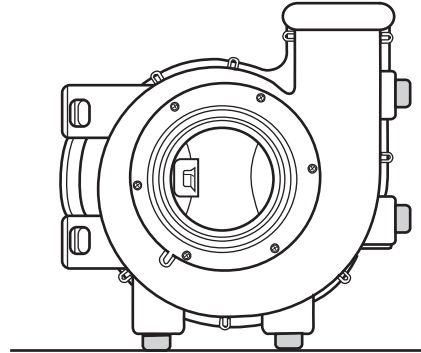


## Fonctionnement

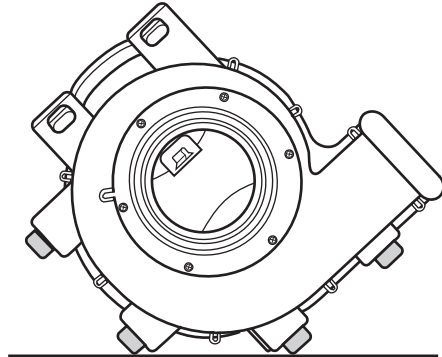
Placez l'appareil de ventilation dans la position de fonctionnement qui vous convient (**Votre appareil peut ne pas ressembler exactement à l'appareil illustré**) :



Planches, moquettes et tapis



90° pour plafonds et ventilation



À un angle de 45° par rapport aux parois  
et pour la ventilation





## Fonctionnement (suite)

---

### Interconnexion des appareils de ventilation

Les appareils de ventilation RIDGID (AM22870) peuvent être interconnectés en série en utilisant les prises de courant confort AM22870. Si cette fonction d'interconnexion en série est utilisée, il ne faut utiliser que des appareils de ventilation avec un total ne dépassant pas le maximum nominal recommandé de 7,9 A pour les prises de courant confort. Le disjoncteur intégré de 8 A permettra d'ajouter au maximum deux (2) appareils de ventilation RIDGID de plus au premier appareil de ventilation en même temps.

**REMARQUE** : cet appareil de ventilation AM22870 est pourvu de prises de courant confort avec un disjoncteur intégré de 8 A. En cas de surcharge des prises de courant confort, le disjoncteur se déclenchera. Si le disjoncteur se déclenche, mettez l'interrupteur dans la position d'arrêt et débranchez tous les appareils, puis appuyez sur le bouton de réinitialisation du disjoncteur. Branchez à nouveau les appareils pour pouvoir les mettre sous tension. Les prises de courant confort intégrées sur l'appareil de ventilation seront mises sous tension lorsque l'appareil de ventilation sera branché et lorsque le disjoncteur aura été réinitialisé de façon appropriée.

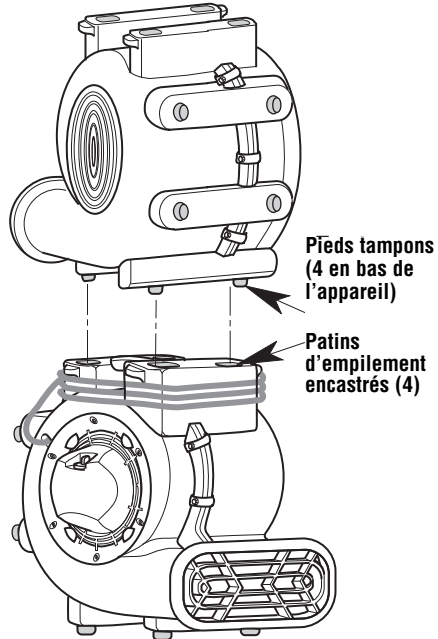


## Rangement

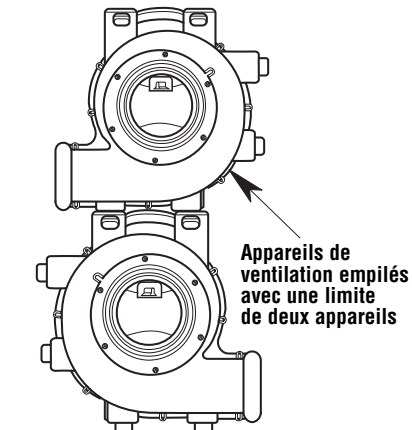
Lorsque vous empilez des appareils, positionnez les quatre pieds tampons sur les patins d'empilement encastrés.

Ces appareils « s'empilent » de façon commode pour le rangement, comme cela est illustré.

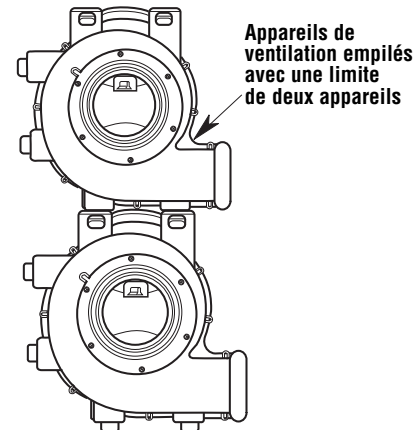
**▲ MISE EN GARDE :** Ne faites pas fonctionner les appareils de ventilation lorsqu'ils sont empilés les uns sur les autres. Ne pas empiler plus de deux de ces appareils.



### POSITION PRÉFÉRÉE



### AUTRE POSITION POSSIBLE



(Votre appareil peut ne pas ressembler exactement à l'appareil illustré)

## Entretien

### Entretien du cordon d'alimentation

Après avoir fini de vous servir de cet appareil, débranchez le cordon de la prise de courant et enroulez-la sur la zone d'enroulement du cordon comme illustré. Si le cordon d'alimentation est endommagé, il faut le faire remplacer par le fabricant ou son agent de service après-vente, ou par un autre technicien compétent, afin de réduire le risque d'accident.

**⚠ AVERTISSEMENT :** Après toute opération d'entretien, tous les dispositifs de sécurité (y compris, les grilles, la roue, etc.) doivent être remontés ou réinstallés.

### Rangement

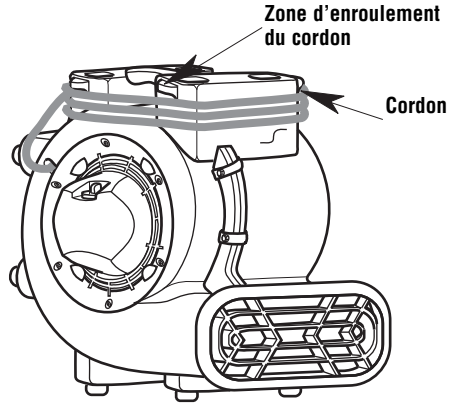
Avant de ranger votre appareil de ventilation, il faut enrouler le cordon autour de l'appareil. L'appareil de ventilation doit être rangé à l'intérieur.

### Nettoyage de votre appareil de ventilation

Si le boîtier en polypropylène est sali, il peut être essuyé à l'aide d'un chiffon humide.

### Roues (AM2560 seulement)

Si vos roues sont bruyantes, vous pouvez verser une goutte d'huile sur l'arbre du rouleau pour réduire le bruit.

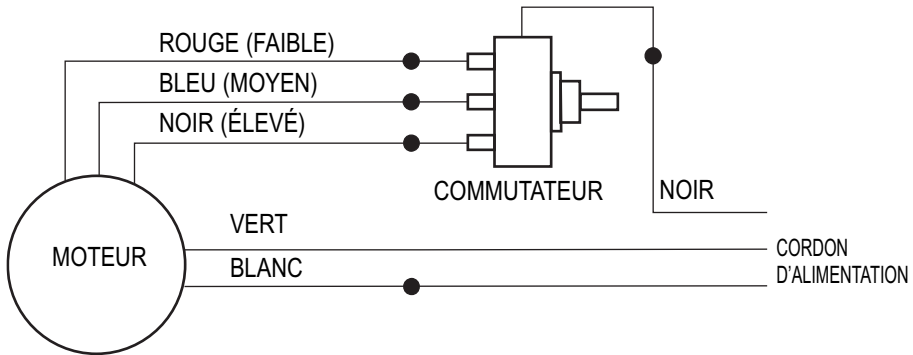


(Votre appareil peut ne pas ressembler exactement à l'appareil illustré)

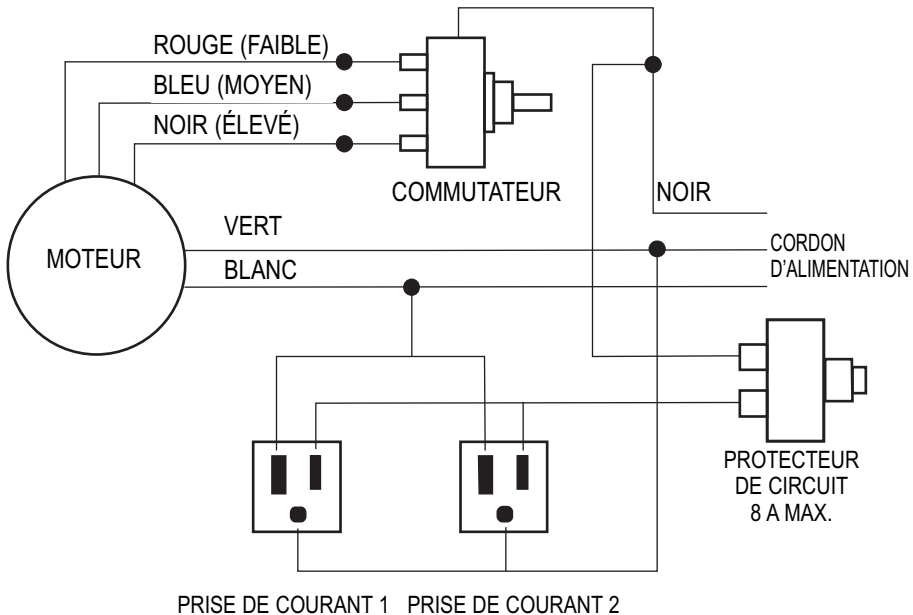


# Schémas de câblage

## AM2560 et AM2286:



## AM2287 :



# Entretien par l'utilisateur / Instructions pour le dépannage

**⚠ AVERTISSEMENT : Débrancher avant de démonter ou de réaliser une quelconque opération d'entretien.**

**⚠ AVERTISSEMENT : Tous les démontages et toutes les réparations doivent être effectués par des techniciens qualifiés.**

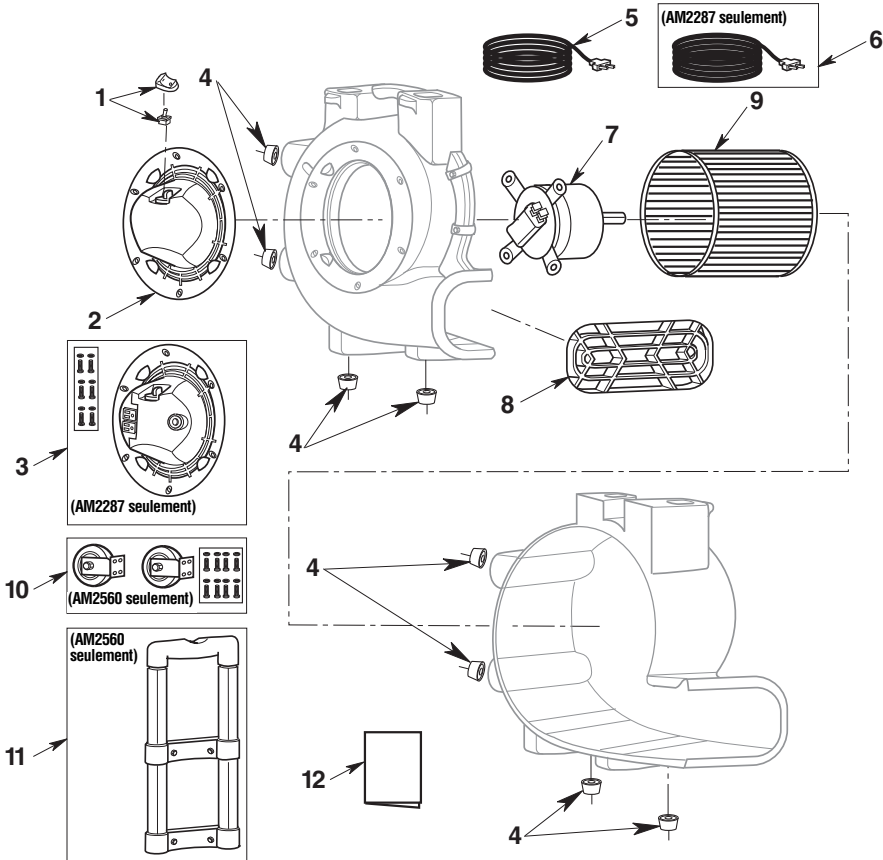
| PROBLÈME                                                                                          | CAUSE                                                                                                                                                                                                                                                                                                                      | SOLUTION                                                                                                                                                                                                                                                                                 |
|---------------------------------------------------------------------------------------------------|----------------------------------------------------------------------------------------------------------------------------------------------------------------------------------------------------------------------------------------------------------------------------------------------------------------------------|------------------------------------------------------------------------------------------------------------------------------------------------------------------------------------------------------------------------------------------------------------------------------------------|
| L'appareil ne se met pas en marche.                                                               | <ol style="list-style-type: none"> <li>1. L'appareil n'est pas relié à une source d'électricité.</li> <li>2. Le commutateur n'est pas en position de marche.</li> <li>3. Le commutateur est défectueux.</li> <li>4. Le cordon ou le fil du moteur est défectueux ou cassé.</li> </ol>                                      | <ol style="list-style-type: none"> <li>1. Branchez l'appareil. Regardez le disjoncteur.</li> <li>2. Mettez le commutateur en position de marche.</li> <li>3. Remplacez le commutateur.</li> <li>4. Effectuez un contrôle de continuité en utilisant un voltmètre/ampèremètre.</li> </ol> |
| L'appareil fonctionne, mais le ventilateur fait un bruit de grattage très fort.                   | <ol style="list-style-type: none"> <li>1. L'appareil a subi des secousses entraînant des frottements de la roue de la soufflante contre son boîtier.</li> <li>2. L'appareil a subi des secousses sévères entraînant la déformation du boîtier.</li> </ol>                                                                  | <ol style="list-style-type: none"> <li>1. Retirez le moteur et s'il est endommagé remplacez-le si nécessaire.</li> <li>2. Remplacez la roue de la soufflante.</li> </ol>                                                                                                                 |
| L'appareil fonctionne, mais avec des vibrations excessives.                                       | <ol style="list-style-type: none"> <li>1. Une secousse sévère a tordu l'arbre du moteur, et en conséquence l'appareil s'est désaxé.</li> <li>2. Une pale de la roue de soufflante est endommagée.</li> <li>3. Des saletés se sont accumulées sur un côté de la roue de soufflante de l'appareil de ventilation.</li> </ol> | <ol style="list-style-type: none"> <li>1. Retirez le moteur et remplacez-le.</li> <li>2. Remplacez la roue de soufflante si nécessaire.</li> <li>3. Nettoyez les pales de la roue de soufflante.</li> </ol>                                                                              |
| L'appareil fonctionne, mais la roue de soufflante ne tourne pas.                                  | <ol style="list-style-type: none"> <li>1. La roue de soufflante est coincée contre le boîtier.</li> <li>2. Le fil du condensateur s'est cassé/desserré; le condensateur est tombé en panne.</li> <li>3. Le boîtier a été endommagé de telle sorte qu'il fait pression sur la roue de soufflante.</li> </ol>                | <ol style="list-style-type: none"> <li>1. Ajustez la roue de la soufflante et remplacez-la si nécessaire.</li> <li>2. Réparez/remplacez le moteur si nécessaire.</li> <li>3. Remplacez la pièce affectée si nécessaire.</li> </ol>                                                       |
| L'appareil se met en marche pendant quelques instants, puis il s'éteint pour cause de surchauffe. | <ol style="list-style-type: none"> <li>1. Les paliers du moteur sont devenus défectueux ou un défaut d'origine électrique s'est développé dans le moteur.</li> <li>2. La grille de prise d'air et/ou la grille de sortie d'air est obstruée.</li> </ol>                                                                    | <ol style="list-style-type: none"> <li>1. Remplacez le moteur.</li> <li>2. Éliminez l'obstruction.</li> </ol>                                                                                                                                                                            |
| La prise de courant confort (s'il y en a une) ne fonctionne pas.                                  | <ol style="list-style-type: none"> <li>1. L'appareil n'est pas relié à une source d'électricité.</li> <li>2. Le disjoncteur de la prise de courant confort n'a pas été réinitialisé.</li> </ol>                                                                                                                            | <ol style="list-style-type: none"> <li>1. Branchez l'appareil.</li> <li>2. Réinitialisez le disjoncteur.</li> </ol>                                                                                                                                                                      |

# Pièces de rechange

## Appareil de ventilation à trois vitesses – Modèles N° AM22860, AM22870 ou AM25600

Les pièces RIDGID sont disponibles sur notre site Web à l'adresse suivante : [www.RIDGIDparts.com](http://www.RIDGIDparts.com)

Toujours commander par numéro de pièce – et non pas par numéro de légende



| Légende N° | N° de pièce | Description                                                                        |
|------------|-------------|------------------------------------------------------------------------------------|
| 1          | 510141      | Commutateur et bouton                                                              |
| 2          | 833658      | Grille, prise d'air AM2560 et AM2286                                               |
| 3          | 510551      | Grille, admission (avec prises de courant confort et matériel de fixation), AM2287 |
| 4          | 833690      | Pieds tampons (paquet de 4)                                                        |
| 5          | 833675      | Cordon avec fiche                                                                  |

| Légende N° | N° de pièce | Description               |
|------------|-------------|---------------------------|
| 6          | 841368      | Cordon avec fiche, AM2287 |
| 7          | 833674      | Moteur                    |
| 8          | 833659      | Grille de sortie d'air    |
| 9          | 833660      | Roue de soufflante        |
| 10         | 510140      | Ensemble de roue, AM2560  |
| 11         | 833691      | Poignée de tirage, AM2560 |
| 12         | SP7019      | Mode d'emploi             |



## Symbole de qualité, de durabilité et de fiabilité

### Ce qui est couvert par la garantie

Les outils RIDGID® sont garantis sans défauts de matériau ou de façon.

### Durée de la garantie

Cette garantie est valable pendant toute la durée de vie de l'outil RIDGID®. Le produit n'est plus couvert lorsqu'il cesse d'être utilisable pour des causes autres que des défauts de matériau ou de façon.

### Le service après-vente

Pour tirer parti de cette garantie, le produit complet doit être renvoyé en port payé à RIDGE TOOL COMPANY, Elyria, Ohio ou bien à un quelconque CENTRE DE SERVICE APRÈS-VENTE RIDGID AGRÉÉ. Les clés à tube et autres outils à main devront être renvoyés au point de vente où ils ont été achetés.

### Les mesures de rectification des problèmes

Les produits garantis seront réparés ou remplacés gratuitement selon le choix de RIDGE TOOL et ils seront renvoyés au client en port payé; ou, si le produit est toujours défectueux à la suite de trois tentatives de réparation ou de remplacement au cours de la période de garantie, vous êtes en droit de recevoir un remboursement complet du prix d'achat de votre outil.

### Ce qui n'est pas couvert par la garantie

Les défaillances causées par une utilisation abusive ou non conforme aux instructions, ou par l'usure ordinaire, ne sont pas couvertes par cette garantie. RIDGE TOOL n'est responsable d'aucun dommage secondaire ou indirect.

### Effet des lois locales sur cette garantie

Au Canada, certaines provinces ne permettent peut-être pas l'exclusion ou la limitation des dommages secondaires ou indirects; par conséquent, il est possible que l'exclusion ou la limitation susmentionnée ne s'applique pas à vous. Cette garantie vous confère des droits contractuels spécifiques, et vous disposez peut-être d'autres droits qui peuvent varier d'une province à l'autre.

### Aucune autre garantie expresse ne s'applique

La présente GARANTIE À VIE COMPLÈTE est la garantie unique et exclusive concernant les produits RIDGID®. Aucun salarié, agent, distributeur ou autre n'est autorisé à modifier cette garantie ou à offrir une quelconque autre garantie de la part de RIDGE TOOL COMPANY.

**Stock N° AM2286, AM2287, AM2560**

**Modèle N° AM22860, AM22870, AM25600**

Le numéro de modèle et le numéro de série sont inscrits à l'arrière de l'appareil. Il est recommandé d'inscrire ces deux numéros en lieu sûr pour référence future.

**EN CAS DE QUESTIONS OU POUR OBTENIR DES INFORMATIONS,  
VEUILLEZ NOUS CONTACTER AU :**

**1-800-4-RIDGID (1-800-474-3443) depuis les États-Unis et le Canada**

**01-800-701-9811 depuis le Mexique**

**www.RIDGIDvacs.com**

Prière d'avoir votre numéro de modèle ainsi que votre numéro de série à portée de la main avant de nous appeler.



**EMERSON™**

**www.RIDGID.com**

© 2017 Emerson

Pièce N° SP7019

Imprimé N° SP7019

Imprimé au Mexique 02/17