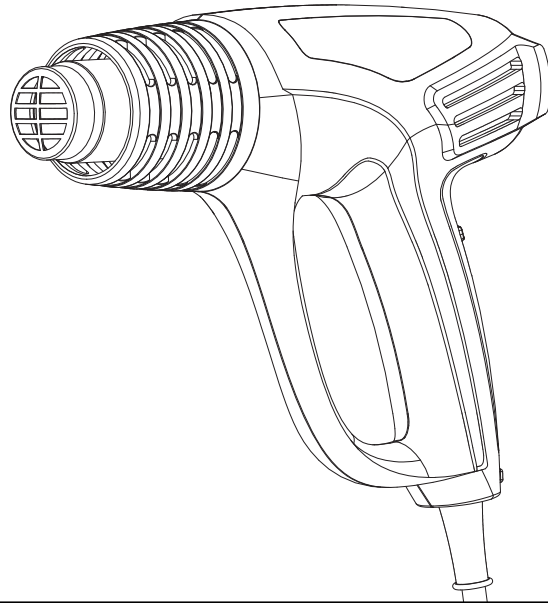




HEAT GUN KIT




Model # 2020
bit.ly/wenvideo

IMPORTANT:

Your new tool has been engineered and manufactured to WEN's highest standards for dependability, ease of operation, and operator safety. When properly cared for, this product will supply you years of rugged, trouble-free performance. Pay close attention to the rules for safe operation, warnings, and cautions. If you use your tool properly and for intended purpose, you will enjoy years of safe, reliable service.

NEED HELP? CONTACT US!

Have product questions? Need technical support?
Please feel free to contact us at:

 **800-232-1195** (M-F 8AM-5PM CST)

 techsupport@wenproducts.com

 WENPRODUCTS.COM



TABLE OF CONTENTS

Technical Data	2
Rules for Safe Operation	3
Contents Included	4
Specific Safety Rules For Heat Gun	5
Electrical Information	6
Know Your Heat Gun	7
Operation	7
Exploded View and Parts List	8
Warranty	9

TECHNICAL DATA

Model number:	2020
Motor:	120 V, 60 Hz, 6.25A/12.5A
Wattage:	750W (low), 1500W (high)
Cord length:	6 feet
Temperature:	572°F 1112°F
Air flow:	79.25GPM at 572°F 132.1GPM at 1112°F
Weight of gun:	1.5 lb
Weight of kit:	3.2 lb

GENERAL SAFETY RULES

Safety is a combination of common sense, staying alert and knowing how your item works. **SAVE THESE SAFETY INSTRUCTIONS.**



WARNING: To avoid mistakes and serious injury, do not plug in your tool until the following steps have been read and understood.

1. **READ** and become familiar with this entire instruction manual. **LEARN** the tool's applications, limitations, and possible hazards.
2. **AVOID DANGEROUS CONDITIONS.** Do not use power tools in wet or damp areas or expose them to rain. Keep work areas well lit.
3. **DO NOT** use power tools in the presence of flammable liquids or gases.
4. **ALWAYS** keep your work area clean, uncluttered, and well lit. **DO NOT** work on floor surfaces that are slippery with sawdust or wax.
5. **KEEP BYSTANDERS AT A SAFE DISTANCE** from the work area, especially when the tool is operating. **NEVER** allow children or pets near the tool.
6. **DO NOT FORCE THE TOOL** to do a job for which it was not designed.
7. **DRESS FOR SAFETY.** Do not wear loose clothing, gloves, neckties, or jewelry (rings, watches, etc.) when operating the tool. **ALWAYS** wear non-slip footwear and tie back long hair.
8. **WEAR A FACE MASK OR DUST MASK.**



WARNING: Dust generated from certain materials can be hazardous to your health. Always operate the tool in a well-ventilated area and provide for proper dust removal. Use dust collection systems whenever possible.

9. **ALWAYS** remove the power cord plug from the electrical outlet when making adjustments, changing parts, cleaning, or working on the tool.
10. **KEEP GUARDS IN PLACE AND IN WORKING ORDER.**
11. **AVOID ACCIDENTAL START-UPS.** Make sure the power switch is in the **OFF** position before plugging in the power cord.
12. **REMOVE ADJUSTMENT TOOLS.** Always make sure all adjustment tools are removed from the tool before turning it on.
13. **NEVER LEAVE A RUNNING TOOL UNATTENDED.** Turn the power switch to **OFF**. Do not leave the tool until it has come to a complete stop.

GENERAL SAFETY RULES

14. **NEVER STAND ON A TOOL.** Serious injury could result if the tool tips or is accidentally hit.
15. **DO NOT OVERREACH.** Keep proper footing and balance at all times. Wear oil-resistant rubber-soled footwear. Keep the floor clear of oil, scrap, and other debris.
16. **MAINTAIN TOOLS PROPERLY.** ALWAYS keep tools clean and in good working order. Follow instructions for lubricating and changing accessories.
17. **MAKE THE WORKSHOP CHILDPROOF.** Use padlocks and master switches.
18. **DO NOT** operate the tool if you are under the influence of drugs, alcohol, or medication that may affect your ability to properly use the tool.
19. **USE SAFETY GOGGLES AT ALL TIMES** that comply with ANSI Z87.1. Normal safety glasses only have impact resistant lenses and are not designed for safety. Wear a face or dust mask when working in a dusty environment. Use ear protection such as plugs or muffs during extended periods of operation.



CONTENTS INCLUDE
One heat gun
Shavehook scraper handle with scraper blade
Four deflector nozzles

SPECIFIC RULES FOR THE HEAT GUN



WARNING: Do not operate the heat gun until you have read and understood the following instructions and the warning labels.

1. **DO NOT TOUCH** the end of the heat gun during or directly after operation. Let the gun cool down fully before touching the tip or any nozzles.
2. **THE CARBON BRUSHES** are not spark-free. Be careful during first few operations.
3. **DO NOT USE A HEAT GUN** near combustible or flammable materials.
4. **TURN HEAT GUN OFF** and give it a moment to cool down before setting it down on any surface.
5. **ALWAYS** use a minimum of one centimeter of distance between the nozzle and work surface. Do not press the gun against any surfaces.
6. **UNPLUG** the heat gun when not in use.
7. **NEVER** direct the air flow of the heat gun towards yourself or anyone else.
8. **DO NOT LOOK** into the end of the gun during or directly after operation.
9. **NEVER BLOCK** the inlet grill (slits on the side of the gun) or obstruct the air flow of the unit while the gun is on.
10. **DO NOT STORE** the tool away in the carrying case until it has fully cooled down.
11. **DO NOT HOLD** a work piece in front of the heat gun without forceps or clamps, as this will risk putting your hand in the pathway of the heat flow.
12. **DO NOT INSERT** anything in the end of the heat gun or down one of the nozzles.
13. **LET THE GUN COOL DOWN** before changing accessories.
14. **ONLY USE THIS HEAT GUN** for its intended purposes.
15. **BEFORE USING THE HEAT GUN**, make sure a safer means of completing your task isn't available.
16. **DO NOT DROP** or use this tool to hit other objects. Do not insert sharp objects into the air inlet grill or pierce/jab internal parts.

ELECTRICAL INFORMATION

IN THE EVENT OF A MALFUNCTION OR BREAKDOWN, grounding provides the path of least resistance for an electric current and reduces the risk of electric shock. This tool is equipped with an electric cord that has an equipment grounding conductor and a grounding plug. The plug **MUST** be plugged into a matching outlet that is properly installed and grounded in accordance with **ALL** local codes and ordinances.

DO NOT MODIFY THE PLUG PROVIDED. If it will not fit the outlet, have the proper outlet installed by a licensed electrician.

IMPROPER CONNECTION of the equipment grounding conductor can result in electric shock. The conductor with the green insulation (with or without yellow stripes) is the equipment grounding conductor. If repair or replacement of the electric cord or plug is necessary, **DO NOT** connect the equipment grounding conductor to a live terminal.

CHECK with a licensed electrician or service personnel if you do not completely understand the grounding instructions or whether the tool is properly grounded.

CAUTION: In all cases, make certain the outlet in question is properly grounded. If you are not sure, have a licensed electrician check the outlet.



WARNING: This tool is for indoor use only. Do not expose to rain or use in damp locations.
Guidelines for using extension cords

Make sure your extension cord is in good condition. When using an extension cord, be sure to use one heavy enough to carry the current your product will draw. An undersized cord will cause a drop in line voltage resulting in loss of power and overheating. The table below shows the correct size to be used according to cord length and nameplate ampere rating. When in doubt, use a heavier cord. The smaller the gauge number, the heavier the cord.

Make sure your extension cord is properly wired and in good condition. Always replace a damaged extension cord or have it repaired by a qualified person before using it.

AMPERAGE	REQUIRED GAUGE FOR EXTENSION CORDS			
	25 ft.	50 ft.	100 ft.	150 ft.
8 A	18 gauge	16 gauge	16 gauge	14 gauge
12.5 A	16 gauge	16 gauge	14 gauge	12 gauge

Protect your extension cords from sharp objects, excessive heat and damp/wet areas.

Use a separate electrical circuit for your tools. This circuit must not be less than a #12 wire and should be protected with a 15 A time-delayed fuse. Before connecting the motor to the power line, make sure the switch is in the **OFF** position and the electric current is rated the same as the current stamped on the motor nameplate. Running at a lower voltage will damage the motor.

KNOW YOUR HEAT GUN



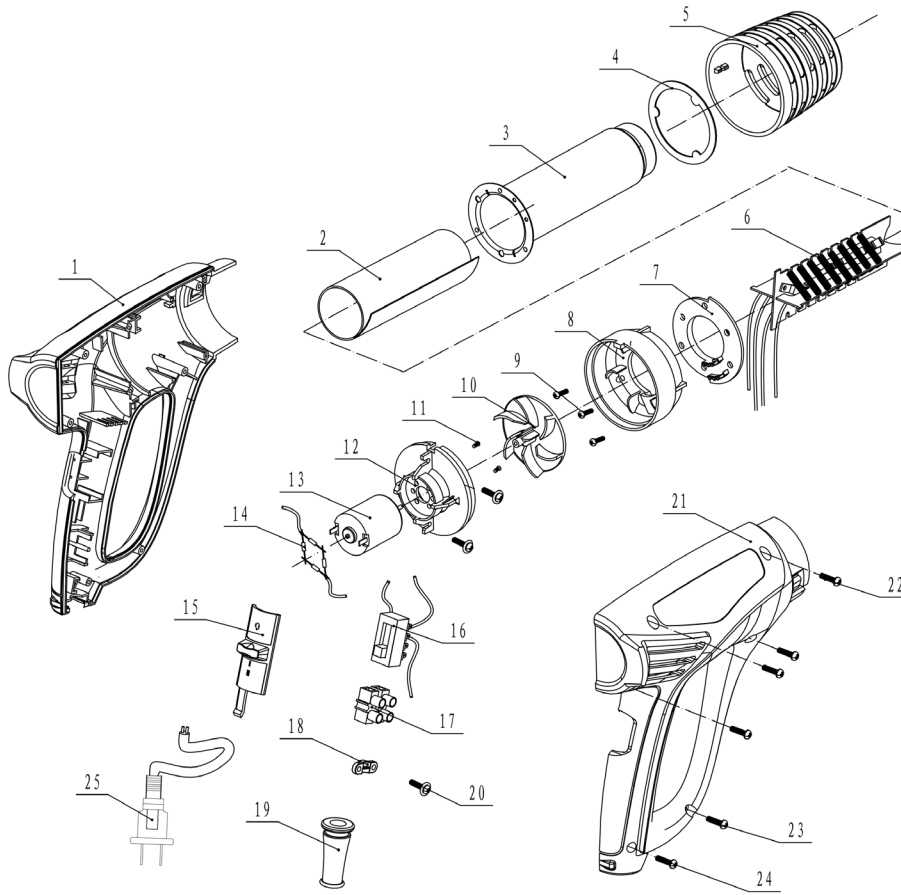
A - HEAT GUN NOZZLE
B - ON/OFF SWITCH
C - AIR INLET GRILLS FOR FAN

OPERATION

Use this versatile device for stripping paints and varnishes, thawing frozen pipes, softening adhesives for removal of linoleum and floor tile and removing stickers and labels.

- 1) Securely insert the plug of the heat gun into an AC 120V 60 Hz receptacle.
- 2) Flip the heat gun switch upward to the “1” position for a low temperature of 572°F or to the “2” position for a high temperature setting of 1112°F.
- 3) The heat gun stops working when the switch is pushed to position “0.” It can be safely stored in the carrying case once the unit has had some time to cool down.

EXPLODED VIEW AND PARTS LIST



Item	Stock #	Description
1	2020-001	Left side housing
2	2020-002	Mica paper
3	2020-003	Steel sleeve
4	2020-004	Locating ring
5	2020-005	Front cover
6	2020-006	Heat coil set
7	2020-007	Heat insulation ring
8	2020-008	Fan cover
9	2020-009	Screw
10	2020-010	Fan
11	2020-011	Screw
12	2020-012	Motor base

Item	Stock #	Description
13	2020-013	Motor
14	2020-014	Diode
15	2020-015	Trigger
16	2020-016	Switch
17	2020-017	Terminal
18	2020-018	Cable clip
19	2020-019	Cable guard
20	2020-020	Screw
21	2020-021	Right side housing
22	2020-022	Screw
23	2020-023	Screw
24	2020-024	Cable

LIMITED TWO YEARS WARRANTY

WEN Products is committed to building tools that are dependable for years. Our warranties are consistent with this commitment and our dedication to quality.

LIMITED WARRANTY OF WEN CONSUMER POWER TOOLS PRODUCTS FOR HOME USE

GREAT LAKES TECHNOLOGIES, LLC (“Seller”) warrants to the original purchaser only, that all WEN consumer power tools will be free from defects in material or workmanship for a period of two (2) years from date of purchase. Ninety days for all WEN products, if the tool is used for professional use.

SELLER’S SOLE OBLIGATION AND YOUR EXCLUSIVE REMEDY under this Limited Warranty and, to the extent permitted by law, any warranty or condition implied by law, shall be the repair or replacement of parts, without charge, which are defective in material or workmanship and which have not been misused, carelessly handled, or misrepaired by persons other than Seller or Authorized Service Center. To make a claim under this Limited Warranty, you must make sure to keep a copy of your proof of purchase that clearly defines the Date of Purchase (month and year) and the Place of Purchase. Place of purchase must be a direct vendor of Great Lakes Technologies, LLC. Third party vendors such as garage sales, pawn shops, resale shops, or any other secondhand merchant void the warranty included with this product. Contact techsupport@wenproducts.com or 1-800-232-1195 to make arrangements for repairs and transportation.

When returning a product for warranty service, the shipping charges must be prepaid by the purchaser. The product must be shipped in its original container (or an equivalent), properly packed to withstand the hazards of shipment. The product must be fully insured with a copy of the warranty card and/or the proof of purchase enclosed. There must also be a description of the problem in order to help our repairs department diagnose and fix the issue. Repairs will be made and the product will be returned and shipped back to the purchaser at no charge.

THIS LIMITED WARRANTY DOES NOT APPLY TO ACCESSORY ITEMS THAT WEAR OUT FROM REGULAR USAGE OVER TIME INCLUDING BELTS, BRUSHES, BLADES, ETC.

ANY IMPLIED WARRANTIES SHALL BE LIMITED IN DURATION TO TWO (2) YEARS FROM DATE OF PURCHASE. SOME STATES IN THE U.S., SOME CANADIAN PROVINCES DO NOT ALLOW LIMITATIONS ON HOW LONG AN IMPLIED WARRANTY LASTS, SO THE ABOVE LIMITATION MAY NOT APPLY TO YOU.

IN NO EVENT SHALL SELLER BE LIABLE FOR ANY INCIDENTAL OR CONSEQUENTIAL DAMAGES (INCLUDING BUT NOT LIMITED TO LIABILITY FOR LOSS OF PROFITS) ARISING FROM THE SALE OR USE OF THIS PRODUCT. SOME STATES IN THE U.S. AND SOME CANADIAN PROVINCES DO NOT ALLOW THE EXCLUSION OR LIMITATION OF INCIDENTAL OR CONSEQUENTIAL DAMAGES, SO THE ABOVE LIMITATION OR EXCLUSION MAY NOT APPLY TO YOU.

THIS LIMITED WARRANTY GIVES YOU SPECIFIC LEGAL RIGHTS, AND YOU MAY ALSO HAVE OTHER RIGHTS WHICH VARY FROM STATE TO STATE IN THE U.S., PROVINCE TO PROVINCE IN CANADA AND FROM COUNTRY TO COUNTRY.

THIS LIMITED WARRANTY APPLIES ONLY TO PORTABLE ELECTRIC TOOLS, BENCH POWER TOOLS, OUTDOOR POWER EQUIPMENT AND PNEUMATIC TOOLS SOLD WITHIN THE UNITED STATES OF AMERICA, CANADA AND THE COMMONWEALTH OF PUERTO RICO. FOR WARRANTY COVERAGE WITHIN OTHER COUNTRIES, CONTACT THE WEN CUSTOMER SUPPORT LINE.

Thanks for remembering

