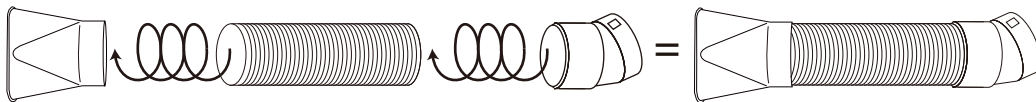
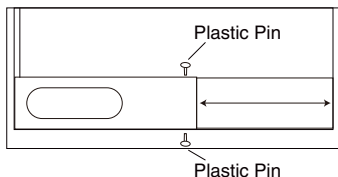


INSTALLATION

- ① Install the plastic hose with window bracket adapter and hose connector on both sides. Ensure proper fit on both ends.

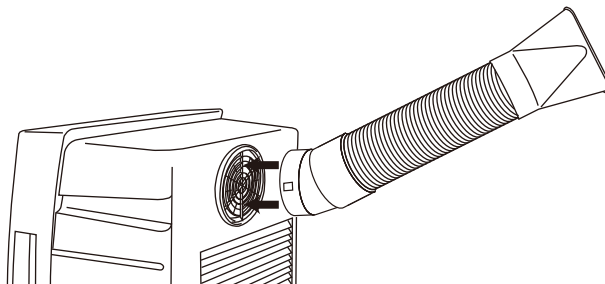


- ② Adjust the window bracket as per width or height of your window and insert the plastic pins to fix at the desired position.

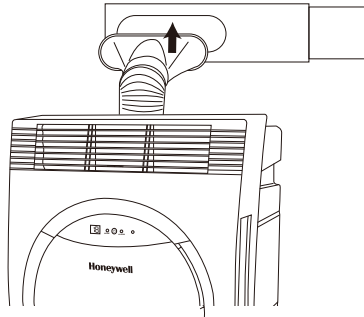


Note : Do not install the window bracket to your window. This step is required only to adjust it to the size of your window. The bracket should be removed from the window after the size is adjusted.

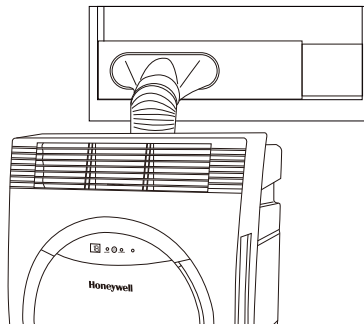
- ③ Connect the plastic hose to the hose connector on the back of the unit. Push-in then rotate clockwise.



- ④ Connect the window bracket to the opposite end of the plastic hose. Ensure that all connections are tight and installed properly.



- ⑤ Connect the window bracket to the window.

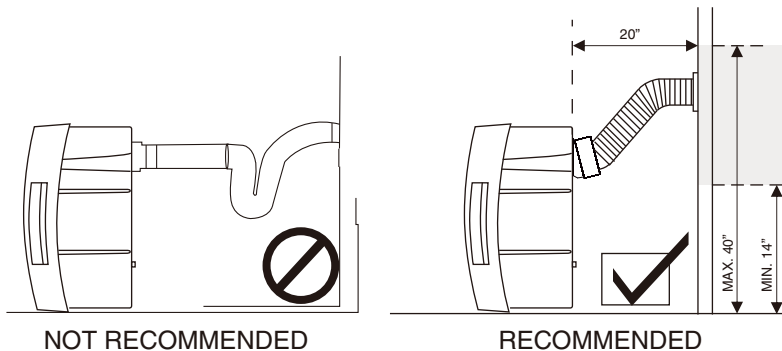


- ⑥ The Portable Air Conditioner is now ready to use.

INSTALLATION

Note:

1. The supplied exhaust hose can be extended from 12 inches (1 foot) to 47 inches (3.9 feet).
2. Do not bend (to the extent shown below) the exhaust hose.
A bent hose will block exhaust air and cause the unit to malfunction or shut-off.



Warning:

- The length of the exhaust hose is determined by the product specifications. Do not replace or lengthen it as this could cause the unit to malfunction.
- Make sure the back of the unit is at least 20 inches away from a wall.
Do not place the unit in front of curtains or drapes as this could obstruct the airflow.