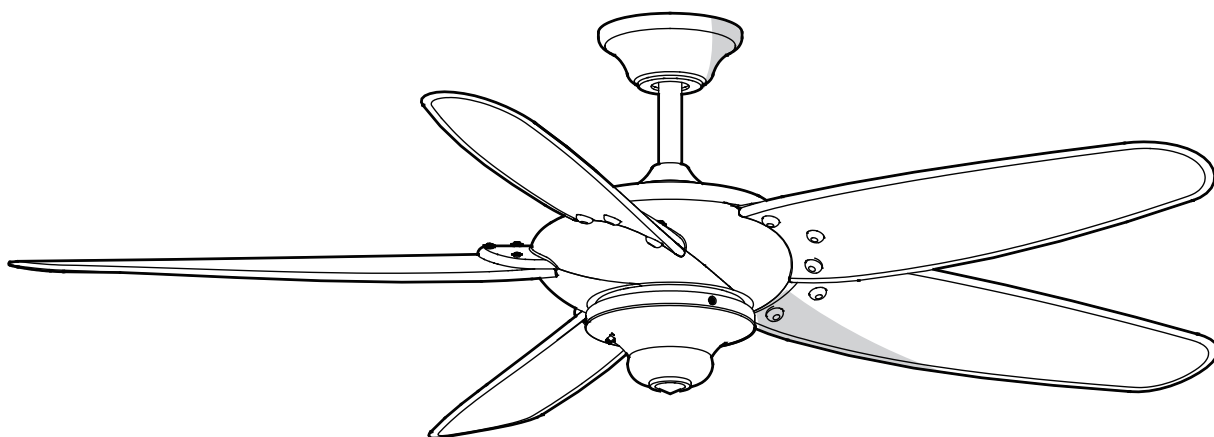


USE AND CARE GUIDE

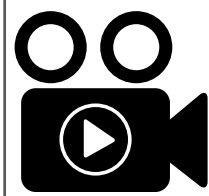
ALTURA 60-INCH CEILING FAN



Questions, problems, missing parts? Before returning to the store,
call Home Decorators Collection Customer Service
8 a.m. - 6 p.m., EST, Monday-Friday.

1-800-986-3460

HOMEDEPOT.COM/HOMEDECORATORS



To view an instructional video on how to install this product:

1. Go to www.homedepot.com and enter either the Item or Model number, found in the top right corner of the cover of this instruction manual, in the search field.
2. Click on your product from the list of search results and click on the video link in the "Product Overview" section.

THANK YOU

We appreciate the trust and confidence you have placed in Home Decorators Collection through the purchase of this ceiling fan. We strive to continually create quality products designed to enhance your home. Visit us online to see our full line of products available for your home improvement needs. Thank you for choosing Home Decorators Collection!

Table of Contents

Table of Contents	2	Assembly	7
Safety Information	2	Operation	13
Warranty	3	Care and Cleaning	14
Pre-Installation	3	Troubleshooting	14
Installation.....	6		

Safety Information

READ AND SAVE THESE INSTRUCTIONS.

1. To reduce the risk of electric shock, ensure the electricity has been turned off at the circuit breaker or fuse box before you begin.
2. All wiring must be in accordance with the National Electrical Code ANSI/NFPA 70-1999 and local electrical codes. Electrical installation should be performed by a qualified licensed electrician.
3. The outlet box and support structure must be securely mounted and capable of reliably supporting a minimum of 50 lbs. (22.7 kg). Use only UL-listed outlet boxes marked "Acceptable for Fan Support of 50 lbs. (22.7 kg) or less."
4. The fan must be mounted with a minimum of 7 ft. (2.1 m) of clearance from the trailing edge of the blades to the floor.
5. Do not operate the reversing switch while the fan blades are in motion. You must turn the fan off and stop the blades before you reverse the blade direction.
6. Do not place objects in the path of the blades.
7. To avoid personal injury or damage to the fan and other items, use caution when working around or cleaning the fan.
8. Electrical diagrams are for reference only. Light kits that are not packed with the fan must be UL- listed and marked suitable for use with the model fan you are installing. If using this fan in a wet or damp environment, the light kit must be marked "Suitable for Use in Wet Location". Switches must be UL General Use Switches. Refer to the instructions packaged with the light kits and switches for proper assembly.
9. This product is suitable for use in wet locations when installed in a GFCI protected branch circuit.
10. After making electrical connections, spliced conductors should be turned upward and pushed carefully up into the outlet box. The wires should be spread apart with the grounded conductor and the equipment-grounding conductor on one side of the outlet box.
11. All setscrews must be checked and retightened where necessary before installation.



WARNING: To reduce the risk of personal injury, do not bend the blade brackets (also referred to as flanges) during assembly or after installation. Do not insert objects in the path of the blades.



WARNING: To reduce the risk of fire or electric shock, do not use this fan with any solid-state speed control device.



WARNING: To avoid possible electrical shock, turn the electricity off at the main fuse box before wiring. If you feel you do not have enough electrical wiring knowledge or experience, contact a licensed electrician.



WARNING: To reduce the risk of fire, electric shock or personal injury, mount to outlet box marked "Acceptable for fan support of 50 lbs. (22.7 Kg) or less", and use screws provided with the outlet box.



WARNING: Electrical diagrams are for reference only. If you are using a light kit, refer to the light kit instructions manual to make the electrical connections. Optional use of any light kit shall be UL-listed and marked suitable for use with this fan.



WARNING: To reduce the risk of fire or electric shock, this fan should only be used with fan speed control part no. WASOF-03, manufactured by Chungear Industrial Co., Ltd.



CAUTION: To reduce the risk of personal injury, use only the screws provided with the outlet box.

Warranty

The supplier warrants the fan motor to be free from defects in workmanship and material present at time of shipment from the factory for a life-time after the date of purchase by the original purchaser. The supplier also warrants that all other fan parts, excluding any glass or acrylic blades, to be free from defects in workmanship and material at the time of shipment from the factory for a period of two years after the date of purchase by the original purchaser. We agree to correct such defects without charge or at our option replace with a comparable or superior model if the product is returned. To obtain warranty service, you must present a copy of the receipt as proof of purchase. All costs of removing and reinstalling the product are your responsibility. Damage to any part such as by accident or misuse or improper installation or by affixing any accessories, is not covered by this warranty. Because of varying climatic conditions this warranty does not cover any changes in brass finish, including rusting, pitting, corroding, tarnishing, or peeling. Brass finishes of this type give their longest useful life when protected from varying weather conditions. A certain amount of "wobble" is normal and should not be considered a defect. Servicing performed by unauthorized persons shall render the warranty invalid. There is no other express warranty. Home Decorators Collection hereby disclaims any and all warranties, including but not limited to those of merchantability and fitness for a particular purpose to the extent permitted by law. The duration of any implied warranty which cannot be disclaimed is limited to the time period as specified in the express warranty. Some states do not allow a limitation on how long an implied warranty lasts, so the above limitation may not apply to you. The retailer shall not be liable for incidental, consequential, or special damages arising out of or in connection with product use or performance except as may otherwise be accorded by law. Some states do not allow the exclusion of incidental or consequential damages, so the above exclusion or limitation may not apply to you. This warranty gives specific legal rights, and you may also have other rights which vary from state to state. This warranty supersedes all prior warranties. Shipping costs for any return of product as part of a claim on the warranty must be paid by the customer.

Contact the Customer Service Team at 1-800-986-3460 or visit www.HomeDepot.com/homedecorators.

Pre-installation

SPECIFICATIONS

Size	Speed	Volts	Fan Power Consumption (without lights) WATT	Airflow CFM	Airflow Efficiency (Higher Is Better) CFM/WATT	Net Weight	Gross Weight	Cube Feet
60 in.	Low	120	10	1776	177	29.32 lbs (13.3 kgs)	32.41 lbs (14.7 kgs)	2.6'
	Medium		28	3358	120			
	High		84	6223	74			



NOTE: These are approximate measures. They do not include the amps and wattage used by the light kit.



TOOLS REQUIRED



Phillips screwdriver



Flat blade screwdriver



Adjustable wrench



Electrical tape



Wire cutter



Step ladder

Pre-installation (continued)

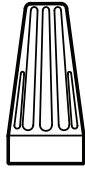
HARDWARE INCLUDED



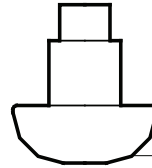
NOTE: Hardware not shown to actual size.



AA



BB

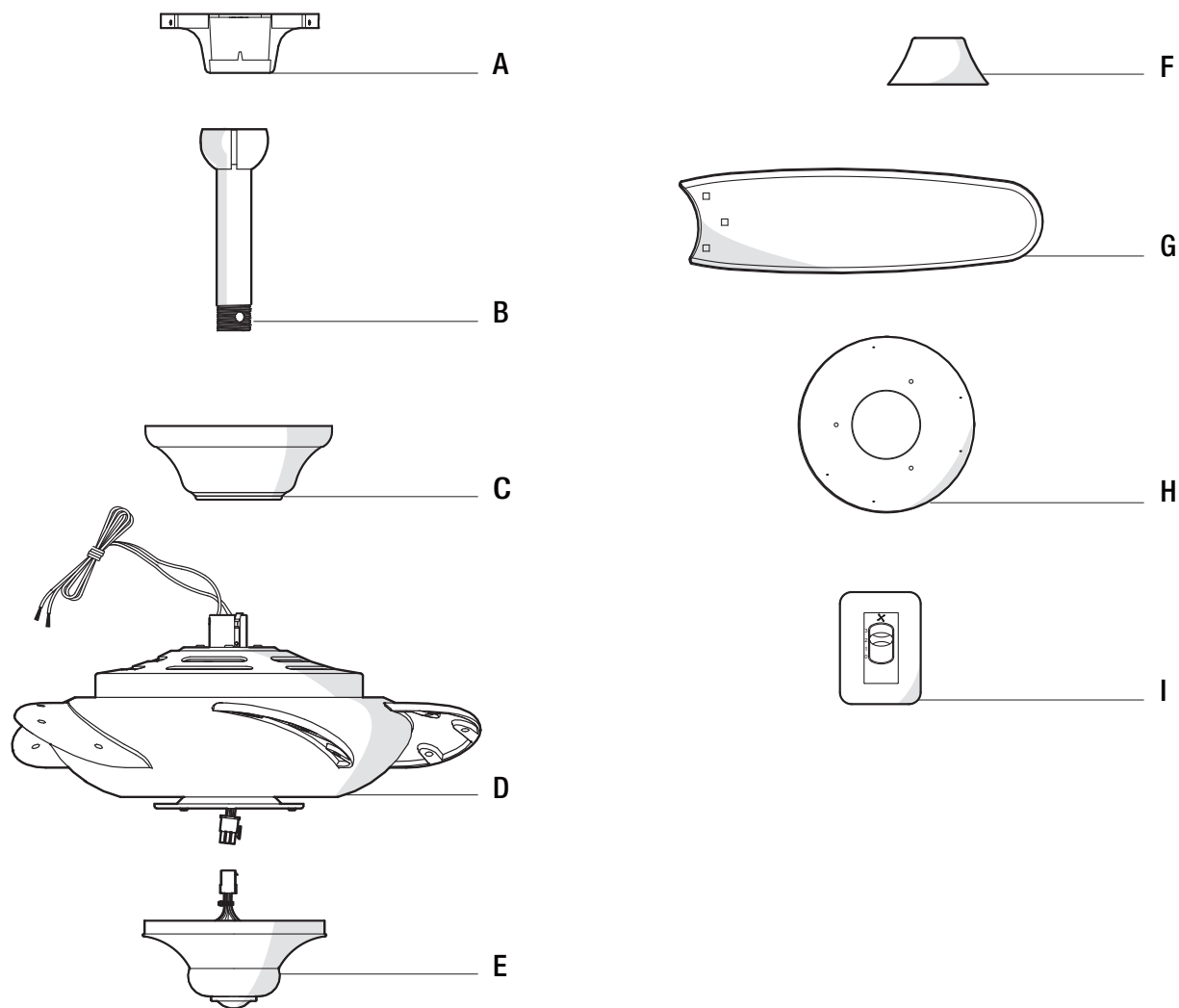


CC

Part	Description	Quantity
AA	Blade attachment screws	15
BB	Plastic wire connecting nut	3
CC	Decorative nut	15

Pre-installation (continued)

PACKAGE CONTENTS



Part	Description	Quantity
A	Slide-on mounting bracket (inside canopy)	1
B	Ball/downrod assembly	1
C	Canopy with canopy ring attached	1
D	Fan-motor assembly	1
E	Switch cup	1

Part	Description	Quantity
F	Decorative motor collar cover	1
G	Blade	5
H	Switch cup adaptor	1
I	Wall control	1



IMPORTANT: This product and/or components are governed by one or more of the following U.S. Patents: 5,947,436; 5,988,580; 6,010,110; 6,046,416, 6,210,117 and other patents pending.

Installation

MOUNTING OPTIONS

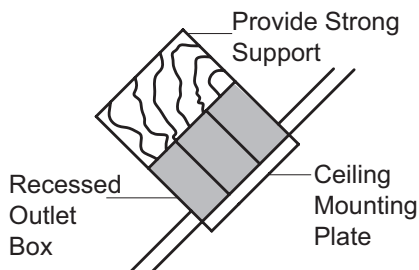
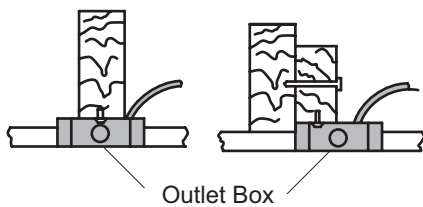
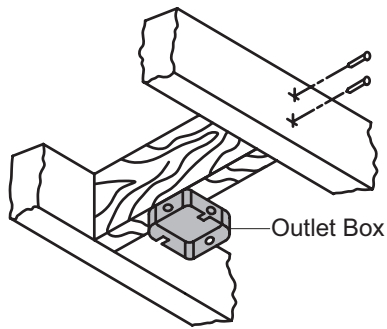


WARNING: To reduce the risk of fire, electric shock or personal injury, mount to outlet box marked "Acceptable for fan support of 50 lbs. (22.7 Kg) or less", and use screws provided with the outlet box. An outlet box commonly used for the support of lighting fixtures may not be acceptable for fan support and may need to be replaced. If in doubt, consult a qualified electrician.

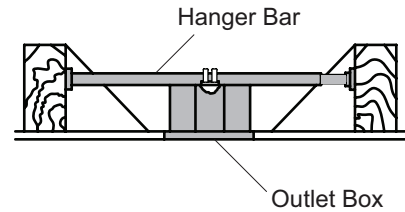
If your ceiling fan does not have an existing UL-listed mounting box, then install one using the following instructions:

- Disconnect the power by removing the fuses or turning off the circuit breakers.
- Secure the outlet box directly to the building structure. Use the appropriate fasteners and materials. The outlet box and its bracing must be able to fully support the weight of the moving fan (at least 50 lbs. (22.7 kg)). Do not use a plastic outlet box.

The illustrations below show three different ways to mount the outlet box.



NOTE: You may need a longer downrod to maintain proper blade clearance when installing on a steep, sloped ceiling. The maximum angle allowable is 30° away from horizontal.



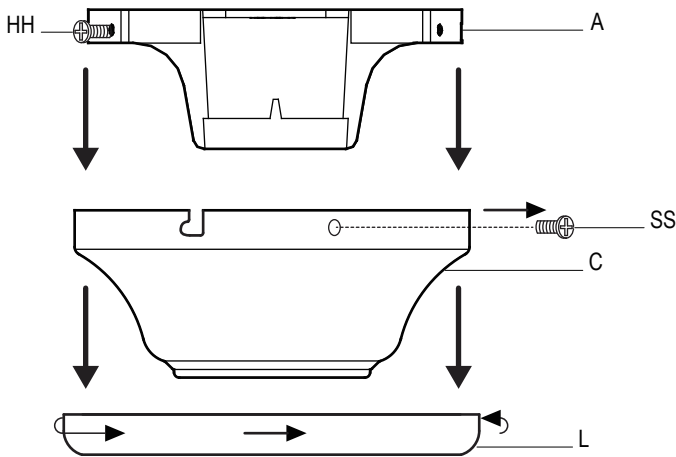
If the canopy (C) touches the ball/downrod assembly (B), then remove the decorative canopy bottom cover, and turn the canopy (C) 180° before attaching the canopy (C) to the mounting plate.

To hang your fan where there is an existing fixture but no ceiling joist, you may need an installation hanger bar as shown above (available at any Home Depot store).

Assembly - Standard Ceiling Mount

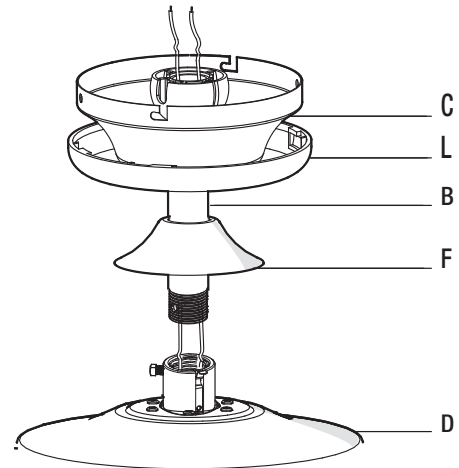
1 Preparing for mounting

- Remove the canopy ring (L) from the canopy (C) by turning the ring counter-clockwise until it unlocks.
- Remove the mounting bracket (A) from the canopy (C) by loosening the two canopy screws (HH) located in the “L shaped” slots.
- Remove and save the two canopy screws (SS) in the round holes. This will enable you to remove the mounting bracket (A).



2 Routing the wires

- Route the wires exiting the top of the fan motor (D) into the decorative motor collar cover (F) and through the canopy ring (L).
- Make sure the slot openings are on top and route the wires through the canopy (C) and then through the ball/downrod assembly (B).



3 Assembling the fan

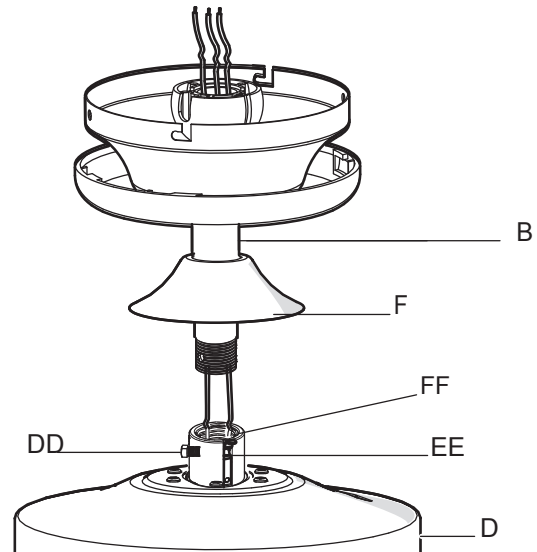


CAUTION: To ensure wobble-free operation and to avoid damage to the fan, the downrod (B) and the setscrew (DD) must be completely tightened



NOTE: This fan is equipped with a safety tab (EE). Should the setscrew (DD) ever become loose while the fan is running in reverse, the safety tab (EE) will engage and stop the fan from falling.

- Loosen, but do not remove, the setscrew (DD) on the collar (FF) on top of the fan-motor assembly (D).
- Install the downrod (B) by inserting it into the motor collar (FF), and turning it clockwise until it is tight.
- Re-tighten the setscrew (DD) on the collar (FF) on top of the fan motor assembly (D).



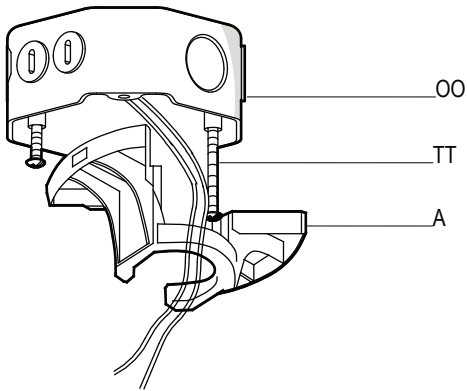
Assembly - Hanging the Fan

4 Attaching the fan to the electrical box



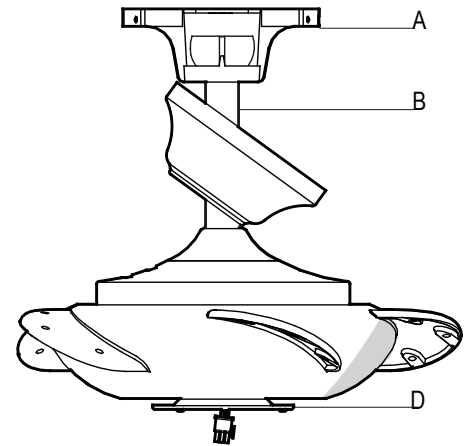
WARNING: To reduce the risk of fire, electric shock or personal injury, mount to outlet box marked "Acceptable for fan support of 50 lbs. (22.7 Kg) or less", and use screws provided with the outlet box.

- Pass the 120-Volt supply wires through the center hole in the slide-on mounting bracket (A).
- Install the slide-on mounting bracket (A) on the outlet box (OO) by sliding the mounting bracket (A) over the two screws (TT) provided with the outlet box (OO). If necessary, use leveling washers (not included) between the slide-on mounting bracket (A) and the outlet box (OO). Note that the flat side of the mounting bracket (A) is toward the outlet box (OO).
- Securely tighten the two mounting screws (TT).



5 Hanging the fan

- Carefully lift the fan motor assembly (D) up to the slide-on mounting bracket (A).
- Seat the hanger ball portion of the ball/downrod assembly (B) in the mounting bracket (A) socket. Ensure that the tab on the slide-on mounting bracket (A) socket is properly seated in the groove in the hanger ball.



Assembly - Hanging the Fan (continued)

6 Making the electrical connection



WARNING: Each wire nut supplied with this fan is designed to accept up to one 12-gauge house wire and two wires from the fan. If you have larger than 12-gauge house wiring or more than one house wire to connect to the fan wiring, consult an electrician for the proper size wire nuts to use.



IMPORTANT: Use the plastic wire connectors (BB) supplied with your fan. Secure the connectors with electrical tape and ensure there are no loose strands or connections.

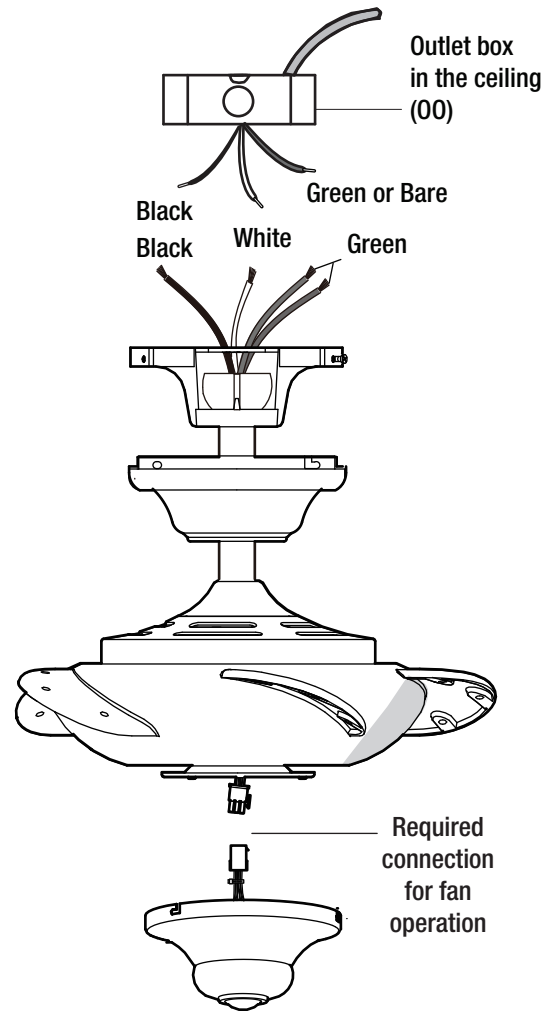


IMPORTANT: If after this step, you decide to check that the electrical connections have been successful, it is critical to attach the switch cup using the quick connector. The fan will not operate unless the switch cup is connected to the fan.



NOTE: The fan comes with 54 in. lead wires for use with an extended ball/downrod assembly. If using the ball/downrod assembly (B) provided, you can cut the lead wires to your desired length (no shorter than 12 in.).

- The fan comes with 54 in. lead wires for use with an extended ball/downrod assembly. If using the ball/downrod assembly (B) provided, you can cut the lead wires to your desired length (no shorter than 12 in.) This will make extra room in the canopy (C), if you do not wish to cut the wires, you will need to neatly wrap them.
- Connect the fan motor green wires to the household green or bare wire using a wire connecting nut (BB).
- Connect the fan motor white wire to the household white wire using a wire connecting nut (BB).
- Connect the fan motor black wire to the household black wire using a wire connecting nut (BB).
- Secure each wire connecting nut using electrical tape.
- Turn the wire connecting nut (BB) upward and push the wiring into the outlet box (OO).



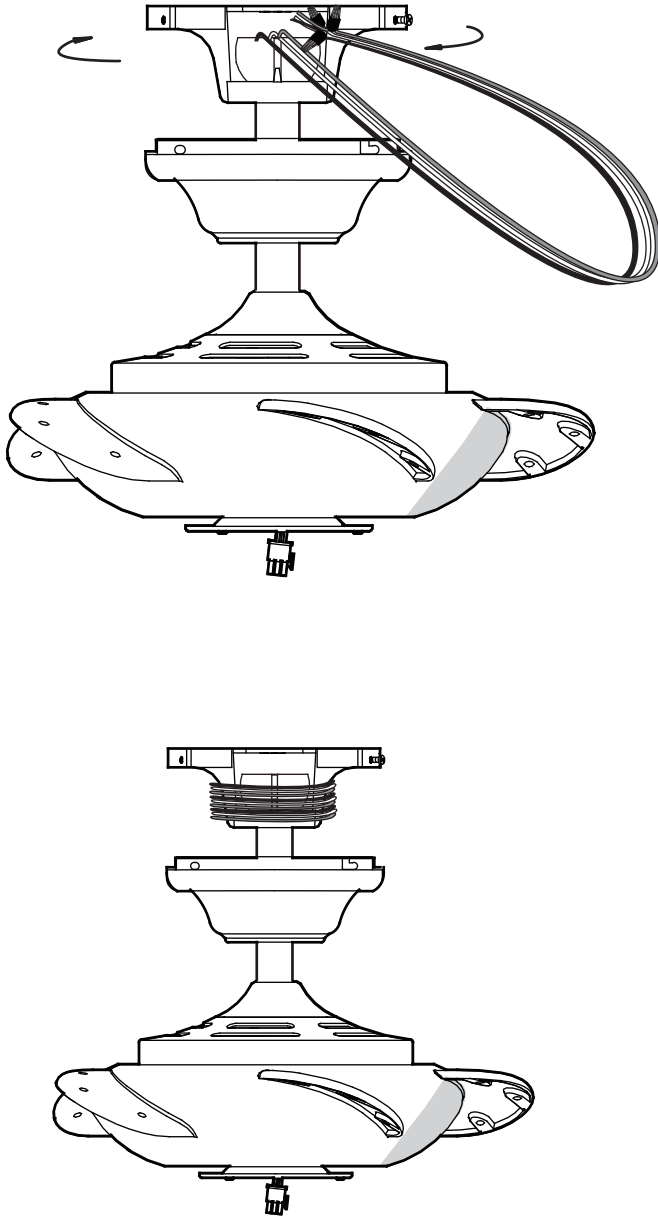
Assembly - Hanging the Fan (continued)

7 Wrapping the extra wire



NOTE: Follow this step **ONLY** if you did not cut the extra length off from the wires coming from the ceiling fan.

- Gently wrap the excess wire around the mounting bracket.
- Secure with electrical tape.



8 Mounting the fan

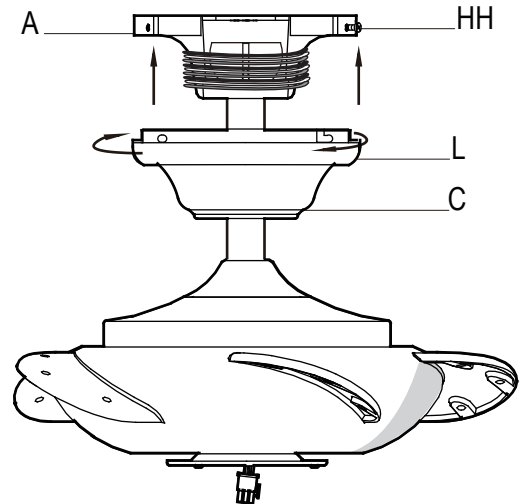


WARNING: When using the standard ball/downrod mounting, the tab in the ring at the bottom of the mounting bracket must rest in the groove of the hanger ball. Failure to properly seat the tab in the groove could cause damage to the wiring.



WARNING: The locking slots of ceiling canopy are provided only as an aid to mounting. Do not leave the fan assembly unattached until all four canopy screws are engaged and firmly tightened.

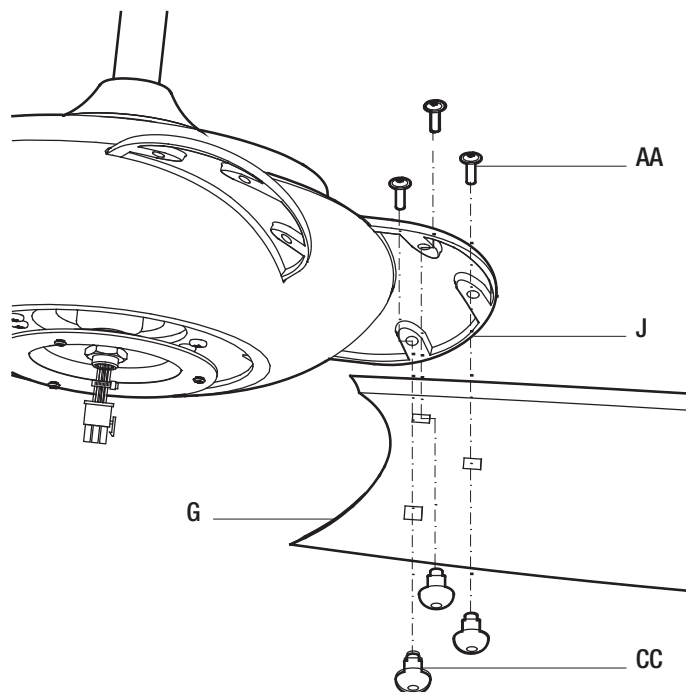
- Align the locking slots of the ceiling canopy (C) with the two screws (HH) in the slide-on mounting bracket (A). Push up to engage the slots, and turn clockwise to lock the canopy (C) in place.
- Firmly tighten the two mounting screws.
- **Install the two mounting screws (saved from Assembly Step 1 "Preparing for mounting") into the holes in the canopy (C) and tighten firmly.**
- Install the decorative canopy ring (L) by aligning the ring's slots with the screws in the canopy (C). Rotate the canopy ring counterclockwise to lock it in place.



Assembly - Hanging the Fan (continued)

9 Attaching the fan blades

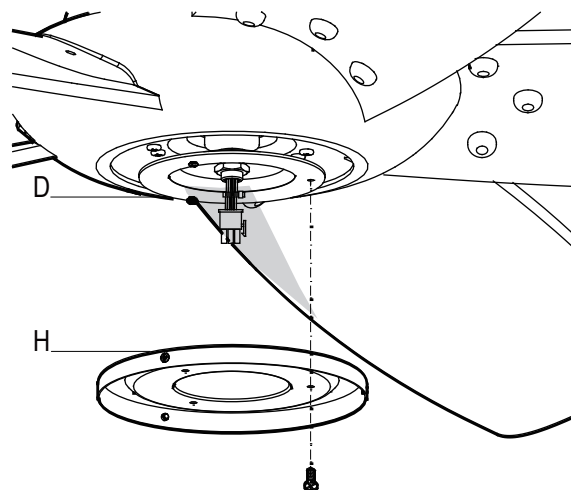
- Attach blade (G) to blade bracket (J) using the decorative nuts (CC) and blade attachment screws (AA) provided. Insert a blade attachment screw (AA) through a hole in the blade (G) and blade bracket (J) into a decorative nut (CC). Repeat for the two remaining holes in the blade (G).
- Tighten each blade attachment screw (AA) securely.
- Repeat these steps for the remaining blades.



Assembly - Attaching the accessories

1 Attaching the switch cup adaptor

- Remove the three screws from the black bracket below the fan motor assembly (D).
- Align the holes in the switch cup adaptor (H) with the three holes in the black bracket.
- Re-install the three screws that were removed in first step.
- Tighten all three screws firmly.



Assembly - Attaching the accessories (continued)

2 Attaching the switch cup

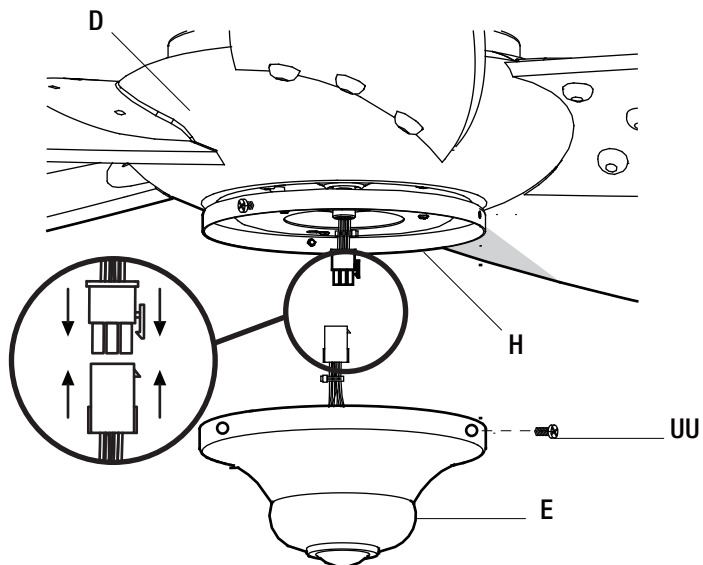


CAUTION: To reduce the risk of electric shock, disconnect the electrical supply circuit to the fan before installing the switch cup.



IMPORTANT: It is critical to attach the switch cup using the quick connector. The fan will not operate unless the switch cup is connected to the fan.

- Remove three screws (UU) from the switch cup (E).
- Connect the molded adaptor plug in the switch cup with the molded adaptor plug of the fan motor assembly (D).
- Align the holes on the switch cup (E) with the screws on the switch cup adaptor (H).
- Install the three screws (UU) that were removed in the first step.
- Tighten all three screws (UU) securely.



Operating Your Fan and Wall Control

Wall Control - Your fan is equipped with a wall control to operate the speed of your new ceiling fan. For more information on how to install the wall control, see the wall control instructions packaged with the wall control components.

The appropriate speed setting for warm or cool weather depends on factors such as the room size, ceiling height, and number of fans.

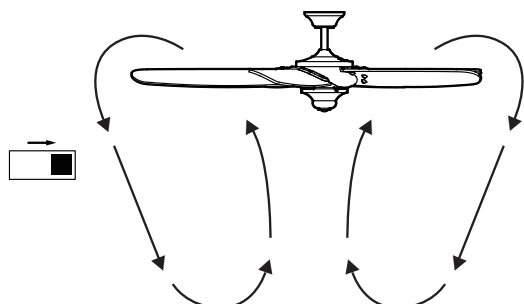
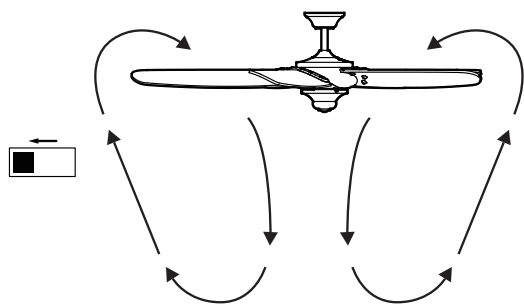
The fan is shipped from the factory with the reversing switch positioned to circulate air downward. If air flow is desired in the opposite direction, turn your fan off, and wait for the blades to stop turning, then slide the reversing switch (located in the switch cup) to the opposite position, and turn the fan on again. The fan blades will turn in the opposite direction and reverse airflow.



NOTE: Wait for the fan to stop before reversing the direction of blade rotation.

Warm weather - (Forward) A downward airflow creates a cooling effect. This allows you to set your air conditioner on a higher setting without affecting your comfort.

Cool weather - (Reverse) An upward airflow moves warm air off of the ceiling. This allows you to set your heating unit on a lower setting without affecting your comfort.



Wall control installation

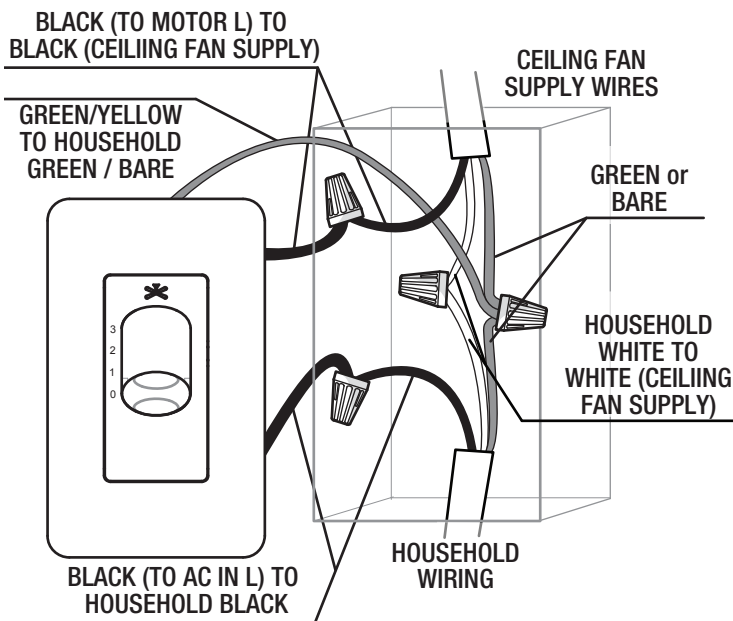


WARNING: To avoid possible electrical shock, be sure electricity is turned off at the main fuse or circuit breaker box before wiring. Turning off the wall switch is not sufficient to prevent shock. All wiring must be in accordance with National and Local codes, and the ceiling fan must be properly grounded as a precaution against possible electrical shock.



NOTE: This control is designed to operate only one ceiling fan.

- Disconnect the power at the circuit breaker (fuse) box.
- Set the wall mounted control switch to 0.
- Remove the existing wall plate and switch.
- Connect the Green / Yellow wire from the wall mounted control switch to the green or bare wires in the junction box, secure with a plastic wire connector.
- Connect the household white wire to the white wire to the ceiling fan, secure with a plastic wire connector.
- Connect the household black wire to the black wire marked "AC IN L", secure with a plastic wire connector.
- Connect the black wire marked "TO MOTOR L" to the black wire to the ceiling fan. Secure with a plastic wire connector.
- Wrap each wire connector with electrical tape (not included).
- Separate the black wires from the white and green wires. Turn the green and white wires into the junction box.
- Turn the black wires into the junction box.
- Secure the wall mounted control to the outlet box with the two screws provided.
- Gently press the face plate on to the wall control (it will snap into place).
- Restore power at the circuit breaker (fuse) box, your fan should now be operational with the wall mounted control switch.



Operating Your Wall Control

Operating the fan

Fan slide switch

0 = Power off

1 = High speed

2 = Medium speed

3 = Low speed

Care and Cleaning



WARNING: Make sure the power is off before cleaning your fan.

- Because of the fan's natural movement, some connections may become loose. Check the support connections, brackets, and blade attachments twice a year. Make sure they are secure. It is not necessary to remove the fan from the ceiling.
- Clean your fan periodically to help maintain its new appearance over the years. Do not use water when cleaning, as this could damage the motor, or the wood, or possibly cause an electrical shock. Use only a soft brush or lint-free cloth to avoid scratching the finish.
- You can apply a light coat of furniture polish to the wood for additional protection and enhanced beauty. Cover small scratches with a light application of shoe polish.
- You do not need to oil your fan. The motor has permanently-lubricated sealed ball bearings.

Troubleshooting

Problem	Solution
The fan will not start.	<ul style="list-style-type: none"><input type="checkbox"/> Check the main and branch circuit fuses or breakers.<input type="checkbox"/> Check the line wire connections to the fan and switch wire connections in the switch housing.<input type="checkbox"/> Check the battery in the remote control.<input type="checkbox"/> Ensure you are in the normal range of 10-20 feet.<input type="checkbox"/> Remember to turn off the power supply before checking the dip switch settings.
The fan is noisy.	<ul style="list-style-type: none"><input type="checkbox"/> Ensure all motor housing screws are snug.<input type="checkbox"/> Ensure the screws that attach the fan blade bracket to the motor hub are tight.<input type="checkbox"/> Ensure the wire nut connections are not rattling against each other or the interior wall of the switch housing.<input type="checkbox"/> Allow a 24-hour "breaking in" period. Most noises associated with a new fan disappear during this time.<input type="checkbox"/> If you are using the Ceiling Fan light kit, ensure the screws securing the glassware are tight. Check that the light bulbs are also secure.<input type="checkbox"/> Ensure the canopy is a short distance from the ceiling. It should not touch the ceiling.<input type="checkbox"/> Ensure your outlet box is secure and rubber isolator pads were used between the mounting plate and outlet box.
The fan wobbles.	<ul style="list-style-type: none"><input type="checkbox"/> Check that all blade and blade arm screws are secure.<input type="checkbox"/> Most fan wobble problems are caused when blade levels are unequal. Check this level by selecting a point on the ceiling above the tip of one of the blades. Measure from a point on the center of the blade to the point on the ceiling. Rotate the fan until the next blade is positioned for measurement, and measure from the same point on each blade to the ceiling. Any measurement deviation should be within 1/8 in. Run the fan for ten minutes. If the fan continues to wobble please contact Home Decorators Collection Customer Service and a balancing kit will be sent to you at no charge.

HOME DECORATORS COLLECTION

Questions, problems, missing parts? Before returning to the store,
call Home Depot Customer Service
8 a.m. - 6 p.m., EST, Monday-Friday

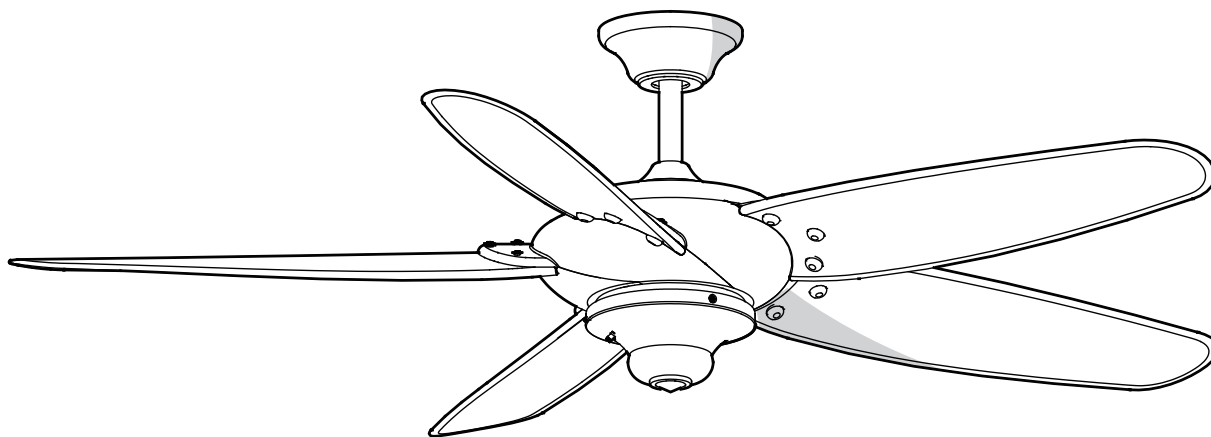
1-800-986-3460

[HOMEDEPOT.COM/HOMEDECORATORS](https://www.homedepot.com/homedecorators)

Retain this manual for future use.

GUÍA DE USO Y MANTENIMIENTO

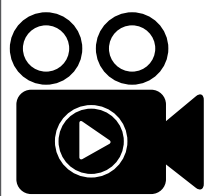
VENTILADOR DE TECHO ALTURA, DE 1,52 M



¿Preguntas, problemas o piezas faltantes? Antes de regresar a la tienda, llama al servicio al cliente de Home Decorators Collection, de lunes a viernes entre 8 a.m. y 6 p.m. (hora estándar del Este).

1-800-986-3460

HOMEDEPOT.COM/HOMEDECORATORS



Para ver un video instructivo sobre cómo instalar este producto:

1. Ir a www.homedepot.com e introduzca el artículo o el número de modelo, que se encuentra en la parte superior esquina derecha de la portada de este manual de instrucciones, en el campo de búsqueda.
2. Haga clic en su producto de la lista de resultados de búsqueda y hacer clic en el enlace del video en la sección "Descripción del producto".

GRACIAS POR TU COMPRA

Apreciamos la confianza que has depositado en Home Decorators Collection al comprar este ventilador de techo. Nos esforzamos para continuamente crear productos de calidad diseñados para mejorar tu hogar. Visítanos por Internet para ver nuestra línea completa de productos disponibles para las necesidades de mejoras de tu hogar. ¡Gracias por elegir Home Decorators Collection!

Tabla de Contenido

Tabla de Contenido	2	Ensamblaje.....	7
Información de Seguridad	2	Funcionamiento	13
Garantía	3	Mantenimiento y Limpieza.....	14
Preinstalación	3	Solución de Problemas	14
Instalación.....	6		

Información de Seguridad

LEE LAS INSTRUCCIONES Y GUÁRDALAS.

1. Para disminuir el riesgo de descarga eléctrica, asegúrate de que la electricidad ha sido apagada en el cortacircuitos o la caja de fusibles antes de comenzar.
2. Todo el cableado debe cumplir con el Código Nacional de Electricidad ANSI/NFPA 70-1999 y con los códigos locales de electricidad. La instalación eléctrica debe ser hecha por un electricista certificado y calificado.
3. La caja eléctrica y estructura de soporte deben montarse de forma segura y tener capacidad para sostener de manera conable un mínimo de 50 lb. (22.7 kg). Usa solamente cajas eléctricas aprobadas por UL marcadas como "Para Soporte de Ventilador"
4. El ventilador debe ir montado con un mínimo de 7 pies (2.1 m) de separación entre el borde de las aspas y el piso.
5. No muevas el interruptor de reversa mientras las aspas del ventilador estén en movimiento. Debes apagar el ventilador y detener las aspas antes de invertir la dirección de las aspas.
6. No coloques objetos en la trayectoria de las aspas.
7. Para evitar lesiones físicas o daños al ventilador y otros artículos, ten cuidado al limpiar o trabajar cerca del ventilador.
8. Los diagramas eléctricos son sólo para referencia. Los kits de luces no empaquetados con el ventilador deben estar aprobados por UL y marcados como apropiados para ser usados con el modelo de ventilador a instalar. Si usas este ventilador en un lugar húmedo o mojado, el kit de luces debe estar marcado como "Adecuado para Uso en Lugares Húmedos". Los interruptores deberán estar clasificados por el UL como de Uso General. Consulta las instrucciones adjuntas a los juegos de luces e interruptores para obtener información sobre el montaje adecuado.
9. Este producto es adecuado para uso en lugares húmedos si se instala en un circuito derivado protegido por un interruptor diferencial (GFCI, en inglés).
10. Después de concluir con las conexiones eléctricas, debes voltear los conductores empalmados hacia arriba y empujarlos con cuidado hacia dentro de la caja eléctrica. Los cables deben estar separados, con el cable a tierra y el conductor a tierra del equipo hacia uno de los lados de la caja eléctrica.
11. Todos los tornillos colocados se deben verificar y ajustar donde sea necesario, antes de la instalación.



ADVERTENCIA: Para reducir el riesgo de lesiones, no dobles los soportes de las aspas (también llamados bridas) durante el ensamblaje o después de la instalación. No coloques objetos en la trayectoria de las aspas.



ADVERTENCIA: Para disminuir el riesgo de incendio o descarga eléctrica, no utilices este ventilador con ningún dispositivo de control de velocidad de estado sólido.



ADVERTENCIA: Para evitar una posible descarga eléctrica, corta la energía eléctrica en la caja principal de fusibles antes de instalar el cableado. Si crees que no tienes suficiente experiencia o conocimientos sobre cableado eléctrico, contrata a un electricista con licencia.



ADVERTENCIA: Para reducir el riesgo de incendio, descarga eléctrica o lesiones personales, monta el ventilador sobre una caja eléctrica marcada como "aprobada como soporte de ventiladores de 50 lb (22,7kg) o menos", y usa los tornillos de montaje que vienen con la misma.



ADVERTENCIA: Los diagramas eléctricos son sólo para referencia. Si usas un kit de luces, consulta el manual de instrucciones del kit de luces para hacer las conexiones eléctricas. Cualquier juego de luces opcional debe estar aprobado por UL y marcado como adecuado para ser usado con este ventilador.



ADVERTENCIA: Para reducir el riesgo de incendio o descarga eléctrica, este ventilador sólo debe ser usado con un control de velocidad con el núm. de pieza WASOF-03, fabricado por Chungear Industrial Co., Ltd.



PRECAUCIÓN: Para reducir el riesgo de lesiones, usa sólo los tornillos incluidos con la caja eléctrica.

Garantía

El proveedor garantiza de por vida, a partir de la fecha en que el comprador original lo adquiere, que el motor del ventilador no presenta defectos de fabricación ni de material al momento en que es enviado desde la fábrica. El proveedor también garantiza por un período de dos años a partir de la fecha de compra por el comprador original, que todas las demás piezas del ventilador, sin incluir ninguna aspa de vidrio o acrílico, no presentarán ningún defecto de fabricación o de material desde el momento de su salida de la fábrica. Acordamos reparar todos los defectos del tipo antes mencionado, sin cargo alguno o, a nuestra discreción, reemplazar el producto por un modelo de igual calidad o superior si el producto es devuelto. Para obtener un servicio de garantía, debe presentar una copia del recibo como comprobante de compra. Todos los costos de retiro y reinstalación del producto son su responsabilidad. Los daños a cualquiera de las piezas como resultado de accidentes, instalación o uso incorrectos, o debidos a la instalación de cualquier accesorio, no están cubiertos bajo esta garantía. Debido a que las condiciones climáticas pueden variar, esta garantía no cubre ningún cambio en el acabado en bronce, incluyendo óxido, perforación, corrosión, manchas o descascamiento. Los acabados en bronce de este tipo tienen una vida útil más prolongada cuando se protegen de las condiciones climáticas cambiantes. Es normal cierta "oscilación" y no se considerará una falla. Cualquier servicio técnico realizado por personas no autorizadas invalidará la garantía. No hay ninguna otra garantía expresa. Mediante la presente, Home Decorators Collection se exime de cualquier garantía, incluyendo pero sin limitarse a aquellas de comercialización e idoneidad para un fin particular, de acuerdo a lo contemplado por la ley. La duración de cualquier garantía implícita de la cual no se pueda eximir está limitada al período de tiempo especificado en la garantía explícita. Algunos estados no permiten limitaciones en la duración de la garantía implícita, por consiguiente, la limitación anterior puede no aplicarse a su caso. El minorista no será responsable por daños directos, indirectos o especiales que resulten o deriven del uso o rendimiento del producto excepto en casos en que lo estipule la ley. Algunos estados no permiten la exclusión o limitación de daños directos o indirectos, por lo que la limitación o exclusión anterior podría no aplicarse a su caso. Esta garantía le otorga derechos legales específicos y es posible que también tenga otros derechos que varían de un estado a otro. Esta garantía sustituye todas las garantías anteriores. Los costos de envío de cualquier devolución de productos hecha como parte de una reclamación de garantía están a cargo del cliente.

Comuníquese con el Equipo de Servicio al Cliente al 1-800-986-3460 o visite www.HomeDepot.com/homedecorators.

Pre-instalación

ESPECIFICACIONES

Tamaño	Velocidad	Voltios	Consumo de Energía del Ventilador (sin luces) WATT	Flujo de Aire PIES CÚB. X MIN.	Eficiencia de Flujo de Aire (Mientras Más Alta, Mejor) PIES CÚB X MIN./ WATT	Peso Neto	Peso Bruto	Pies Cúbicos
1,52 m	Baja	120	10	1776	177	29.32 lbs (13.3 kgs)	32.41 lbs (14.7 kgs)	2.6'
	Media		28	3358	120			
	Alta		84	6223	74			



NOTA: Estas medidas son aproximadas. No incluyen ni el amperaje ni el vataje consumido por el juego de luces.



HERRAMIENTAS NECESARIAS



Destornillador
Phillips



Destornillador
plano



Llave
ajustable



Cinta de
electricista



Cortacables



Escalera

Pre-instalación (continuación)

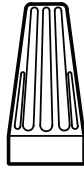
HERRAJES INCLUIDOS



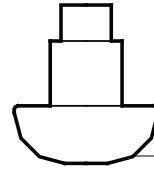
NOTA: No se muestra el tamaño real de los herrajes.



AA



BB

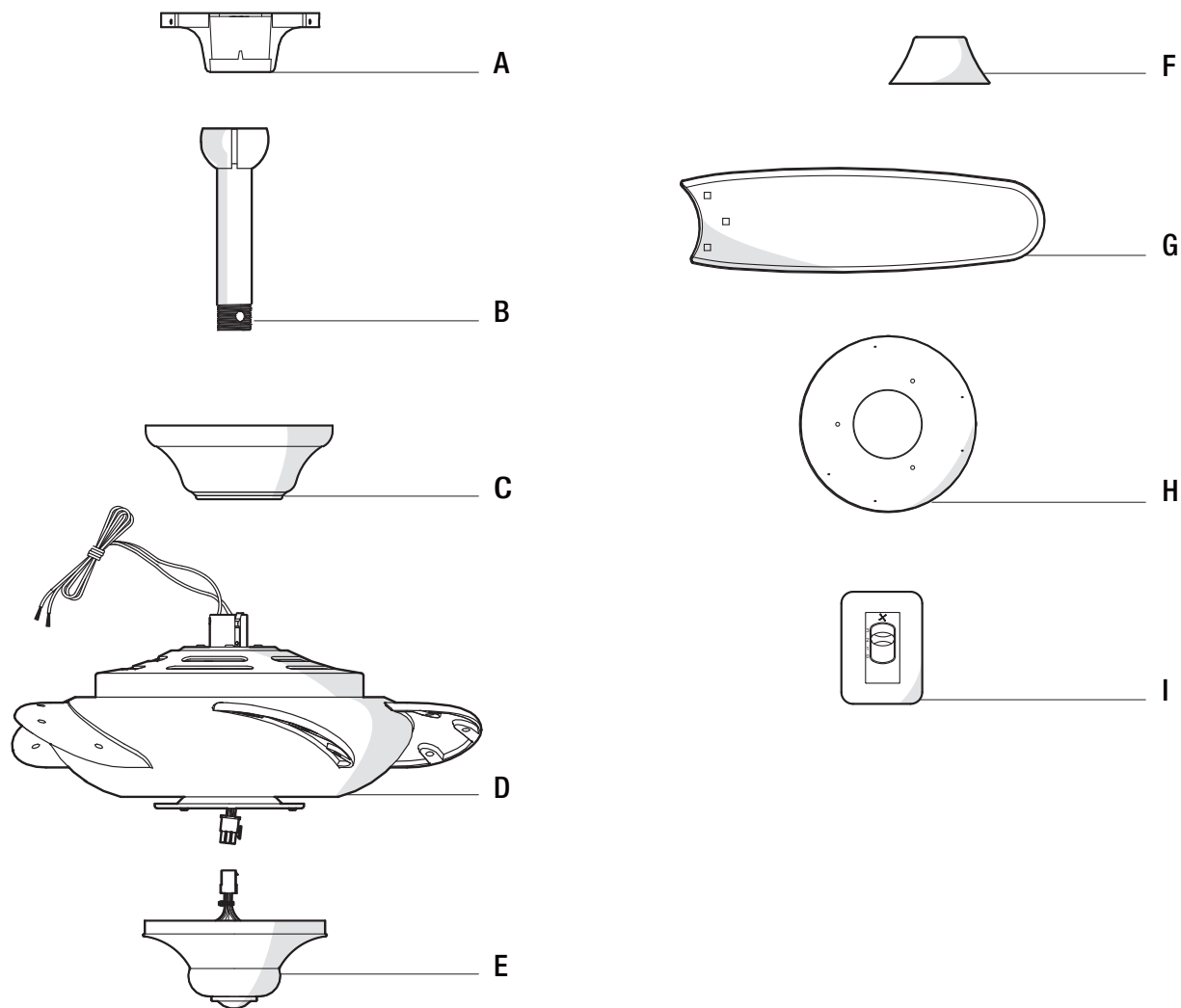


CC

Pieza	Descripción	Cantidad
AA	Tornillos de montaje de las aspas	15
BB	Tuerca de plástico para conectar cables	3
CC	Tuerca decorativa	15

Pre-instalación (continuación)

CONTENIDO DEL PAQUETE



Pieza	Descripción	Cantidad
A	Soporte deslizante de montaje (dentro de la cubierta)	1
B	Ensamblaje de tubo bajante/bola	1
C	Cubierta con aro incorporado	1
D	Ensamblaje del motor del ventilador	1
E	Caja del interruptor (receptor incluido)	1

Pieza	Descripción	Cantidad
F	Cubierta decorativa del collarín del motor	1
G	Aspa	5
H	Adaptador de la caja del interruptor	1
I	Control de pared	1



IMPORTANTE: Este producto y/o sus componentes están protegidos por una o más de las siguientes patentes de los EE. UU.: 5.947.436, 5.988.580, 6.010.110, 6.046.416, 6.210.117 y otras patentes pendientes.

OPCIONES DE MONTAJE

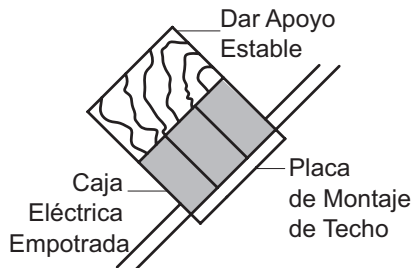
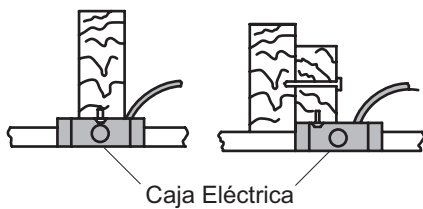
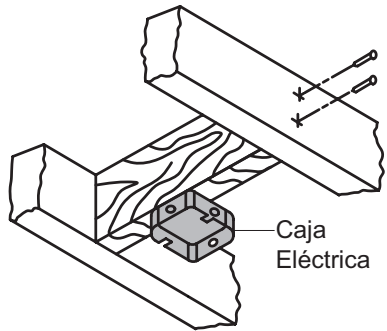


ADVERTENCIA: Para disminuir el riesgo de incendio, descarga eléctrica o lesiones físicas, instala el ventilador conectado a una caja eléctrica marcada “aprobada como soporte de ventiladores de 50 lb (22,7 kg) o menos” y usa los tornillos de montaje incluidos con esta. Las cajas eléctricas utilizadas comúnmente para el soporte de lámparas podrían no servir como soporte de ventilador y, tal vez, deban ser reemplazadas. En caso de duda, consulta con un electricista calificado.

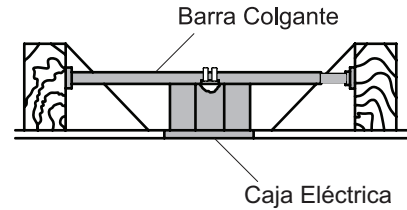
Si tu ventilador de techo no tiene una caja de montaje aprobada por UL, instálala siguiendo las instrucciones a continuación:

- Desconecta la energía retirando los fusibles o apagando los cortacircuitos.
- Fija la caja eléctrica directamente a la estructura del edificio. Usa sujetadores y materiales apropiados. La caja eléctrica y su soporte deben poder sostener el peso completo del ventilador en movimiento (al menos 50 lb (22,7 kg)). No uses una caja eléctrica de plástico.

Las ilustraciones a continuación muestran tres formas diferentes de montar la caja eléctrica.



NOTA: Tal vez necesites un tubo bajante más largo para mantener la altura mínima adecuada de las aspas, al instalar el ventilador en un techo inclinado. El ángulo máximo permitido es de 30° de la posición horizontal.



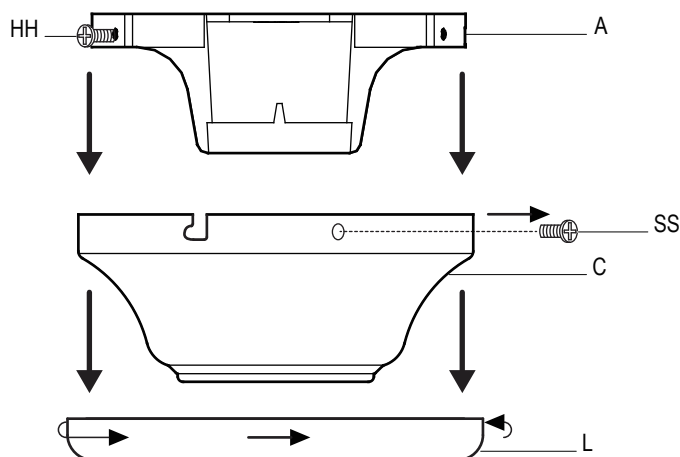
Si la cubierta (C) toca el ensamblaje del tubo bajante/bola (B), retira la tapa inferior decorativa de la cubierta y gira la cubierta (C) 180° antes de fijarla a la placa de montaje.

Para colgar el ventilador donde ya haya una lámpara pero ninguna viga de techo, tal vez necesites una barra colgante como se muestra arriba (disponible en cualquier tienda de The Home Depot).

Ensamblaje - Montaje Estándar en Techo

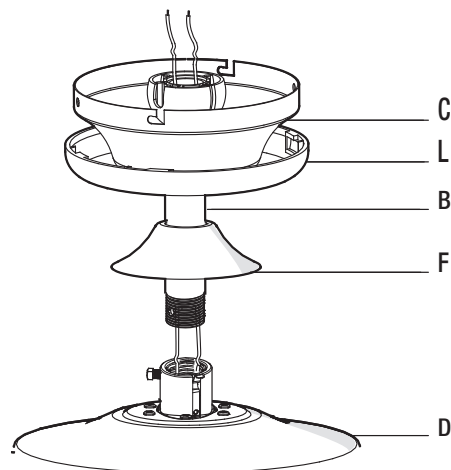
1 Preparación para el montaje

- Retira el aro de cubierta (L) de la cubierta (C), girándolo en sentido contrario a las manecillas del reloj hasta soltarlo.
- Retira el soporte de montaje (A) de la cubierta (C) aflojando los dos tornillos de la cubierta (HH) ubicados en las ranuras en forma de L.
- Quita y guarda los dos tornillos de la cubierta (SS) en los orificios redondos. Esto te permitirá retirar el soporte de montaje (A).



2 Disposición de los cables

- Inserta los cables que salen por la parte superior del motor del ventilador (D) en la cubierta decorativa del collarín del motor (F) y a través del aro de la cubierta (L).
- Asegúrate de que las ranuras estén en la parte superior y pasa los cables a través de la cubierta (C) y luego a través del ensamblaje del tubo bajante/bola (B).



3 Cómo ensamblar el ventilador

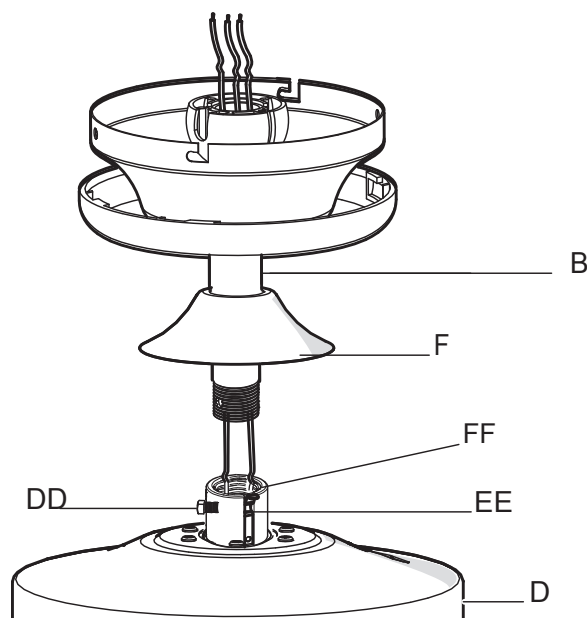


PRECAUCIÓN: Para garantizar un funcionamiento sin oscilaciones y evitar daños al ventilador, el tubo bajante (B) y el tornillo de fijación (DD) deben estar completamente ajustados.



NOTA: Este ventilador está equipado con una pestaña de seguridad (EE). Si el tornillo de fijación (DD) se afloja mientras el ventilador está funcionando en reversa, la pestaña de seguridad (EE) se enganchará y evitará que el ventilador se caiga.

- Afloja, sin quitar, el tornillo de fijación (DD) del collarín (FF) ubicados en la parte superior del ensamblaje del motor del ventilador (D).
- Instala el tubo bajante (B) insertándolo en el collarín del motor (FF) y girándolo en el sentido de las manecillas del reloj hasta que quede fijo.
- Vuelve a apretar el tornillo (DD) del collarín (FF) ubicados en la parte superior del ensamblaje del motor del ventilador (D).



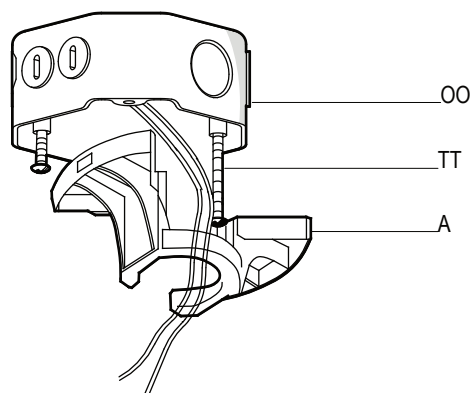
Ensamblaje - Cómo Colgar el Ventilador

4 Cómo conectar el ventilador con la caja eléctrica



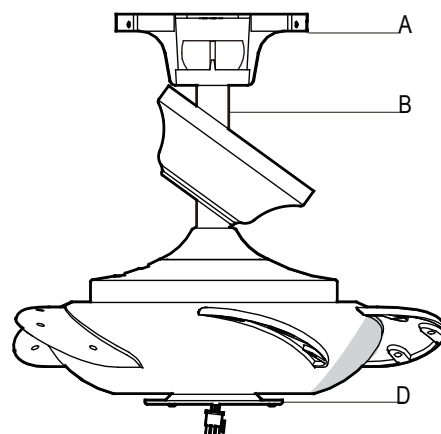
ADVERTENCIA: Para reducir el riesgo de incendio, descarga eléctrica o lesiones personales, monta el ventilador sobre una caja eléctrica marcada como “aprobada como soporte de ventiladores de 50 lb (22,7kg) o menos”, y usa los tornillos de montaje que vienen con la misma.

- Pasa los cables de suministro de 120 Voltios a través del orificio central en el soporte de montaje deslizante (A).
- Instala el soporte de montaje deslizante (A) sobre la caja eléctrica (OO) deslizando el soporte de montaje (A) sobre los dos tornillos (TT) suministrados con la caja eléctrica (OO). Si es necesario, usa arandelas niveladoras (no incluidas) entre el soporte de montaje deslizante (A) y la caja eléctrica (OO). Ten en cuenta que el lado plano del soporte de montaje (A) esté hacia la caja eléctrica (OO).
- Ajusta firmemente los dos tornillos de montaje (TT).



5 Cómo colgar el ventilador

- Con cuidado alza el ensamblaje del motor del ventilador (D) hasta el soporte de montaje deslizante (A).
- Coloca la bola de soporte del ensamblaje del tubo bajante/ bola (B) en el soporte de montaje (A). Asegúrate de que la pestaña sobre el soporte de montaje deslizante (A) encaje bien dentro de la ranura de la bola de soporte.



Ensamblaje — Cómo Colgar el Ventilador (continuación)

6 Cómo hacer las conexiones eléctricas



ADVERTENCIA: Cada cable no suministrado con este ventilador está diseñado para aceptar un máximo de un solo circuito eléctrico doméstico de calibre 12 y dos cables del ventilador. Si tienes un cableado doméstico superior a calibre 12 o más de un cable doméstico para conectar al cableado del ventilador, consulta a un electricista para conocer el tamaño adecuado de las tuercas para cables a usar.



IMPORTANTE: Usa los conectores de cables plásticos (BB) incluidos con tu ventilador. Sujeta los conectores con cinta de electricista y asegúrate de que no haya conexiones o cables sueltos.

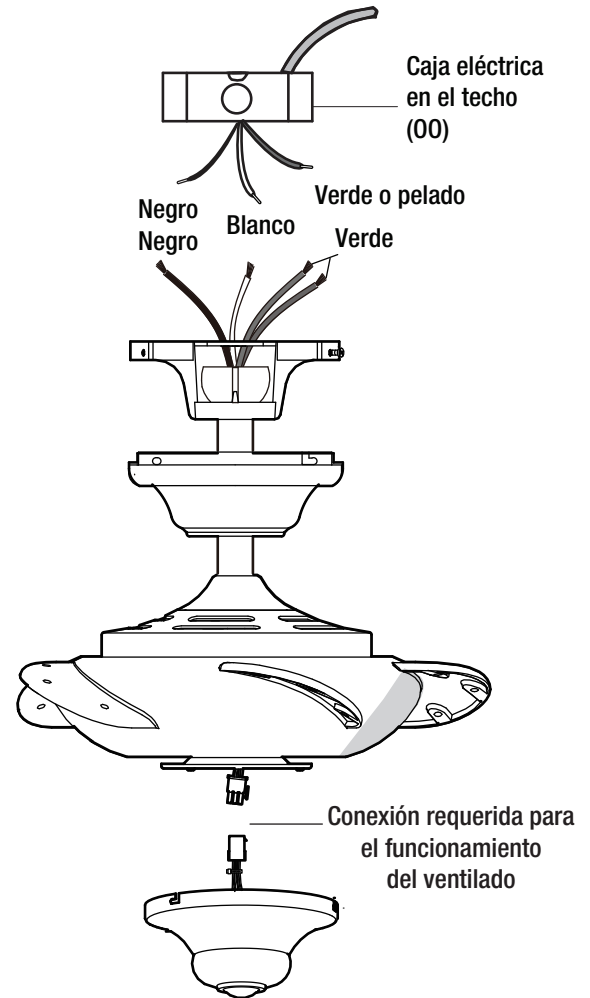


IMPORTANTE: Si después de este paso, usted decide comprobar que las conexiones eléctricas han sido un éxito, es fundamental para fijar la caja del interruptor utilizando el conector rápido antes de la prueba. El ventilador no funcionará a menos que la caja del interruptor está conectado al ventilador.



NOTA: El ventilador viene con cables terminales de 1.37 m para usar con un ensamblaje extendido de tubo bajante/bola. Si usas el ensamblaje extendido de tubo bajante/bola (B) incluido, puedes recortar los cables terminales al largo deseado (no menos de 30.5 cm).

- El ventilador viene con cables terminales de 1.37 m para uso con un ensamblaje extendido de tubo bajante/bola. Si usas el ensamblaje extendido de tubo bajante/bola (B) incluido, puedes recortar los cables terminales al largo deseado (no menos de 30.5 cm). Esto dejará más espacio en la cubierta (C). Si no quieres cortar los cables, deberás enrollarlos cuidadosamente.
- Conecta los cables verdes del motor del ventilador a los cables verde o pelado del hogar usando una tuerca de conexión de cables (BB).
- Conecta el cable blanco del motor del ventilador al cable blanco del hogar usando una tuerca de conexión de cables (BB).
- Conecta el cable negro del motor del ventilador al cable negro del hogar usando una tuerca de conexión de cables (BB).
- Asegura cada tuerca de conexión de cables con cinta de electricista.
- Gira la tuerca de conexión de cables (BB) hacia arriba y coloca el cableado dentro de la caja eléctrica (OO).



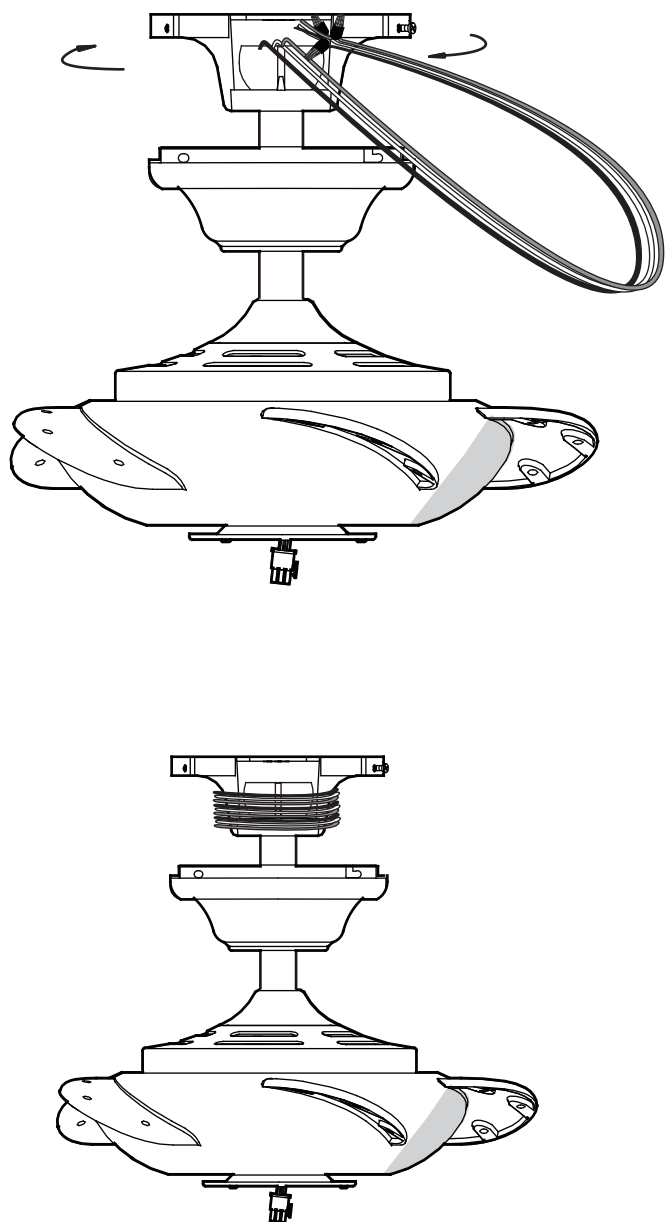
Ensamblaje - Cómo colgar el ventilador (continuación)

7 Cómo enrollar el cable sobrante



NOTA: Sigue estos pasos **SOLAMENTE** si no cortaste el cable sobrante del ventilador de techo.

- Con cuidado, enrolla el exceso de cable alrededor del soporte de montaje.
- Asegura con cinta de electricista.



8 Cómo montar el ensamblaje del motor del ventilador (montaje estándar)

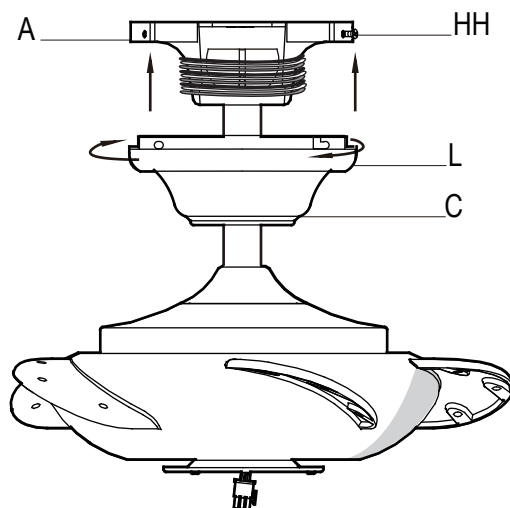


ADVERTENCIA: Cuando uses el ensamblaje del tubo bajante/bola estándar, la pestaña en el aro en la parte inferior del soporte de montaje debe encajar en la ranura de la bola de soporte. Si la pestaña no se asienta correctamente en la ranura, se puede dañar el cableado.



ADVERTENCIA: Las ranuras de cierre de la cubierta del techo solo sirven de ayuda durante la instalación. **No dejes de vigilar el ensamblaje del ventilador hasta que los cuatro tornillos de la cubierta estén fijos y firmemente ajustados.**

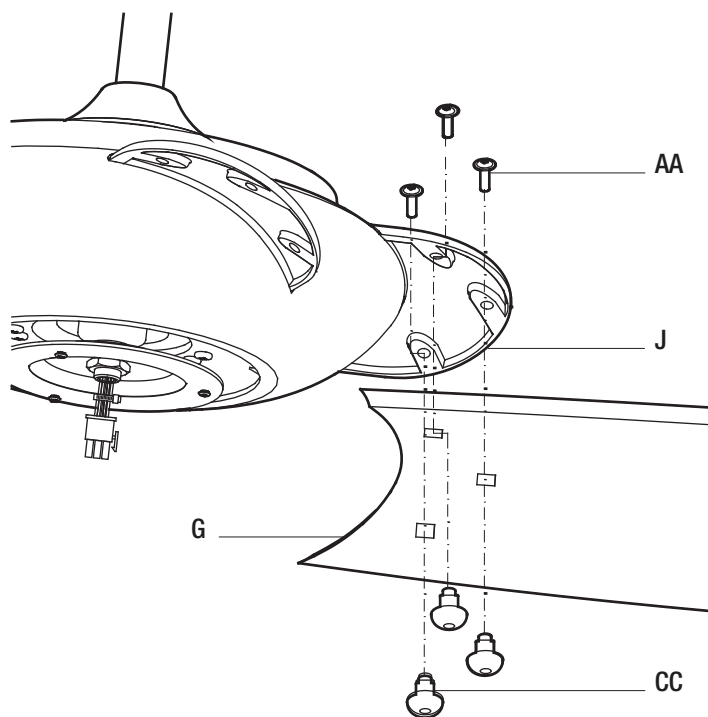
- Alinea las ranuras de cierre de la cubierta de techo (C) con los dos tornillos (HH) del soporte de montaje (A). Alza para enganchar las ranuras y gira de izquierda a derecha para asegurarla en su sitio.
- Inmediatamente, ajusta con firmeza los dos tornillos de montaje.
- **Instala los dos tornillos de montaje (guardados en el paso 1 del ensamblaje, "Preparación para el montaje") en los orificios de la cubierta (C) y aprieta firmemente.**
- Instala el aro de cubierta decorativo (L) alineando las ranuras del aro con los tornillos en la cubierta (C). Gira el aro en sentido de las manecillas del reloj para fijarlo en su lugar.



Ensamblaje – Cómo Colgar el Ventilador (continuación)

9 Cómo montar las aspas del ventilador

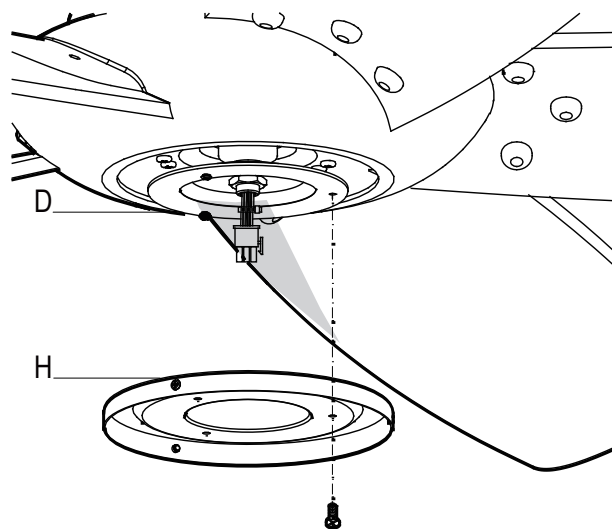
- Monta el aspa (G) al soporte de la misma (J) usando las tuercas decorativas (CC) y los tornillos para montar las aspas (AA) provistos. Inserta un tornillo para montar las aspas (AA) a través del orificio del aspa (G) y el soporte de la misma (J) en una tuerca decorativa (CC). Repite para los otros dos orificios restantes del aspa (G).
- Aprieta firmemente cada tornillo para montar las aspas (AA).
- Repite estos pasos para las aspas restantes.



Ensamblaje – Cómo montar los accesorios

1 Cómo instalar el adaptador de la caja del interruptor

- Quita los tres tornillos de la caja del interruptor (D).
- Alinea los orificios de la caja del interruptor con los tres orificios del adaptador de la caja del interruptor (H).
- Vuelve a instalar los tres tornillos que retiraste en el primer paso.
- Aprieta armemente los tres tornillos.



2 Cómo instalar la caja del interruptor

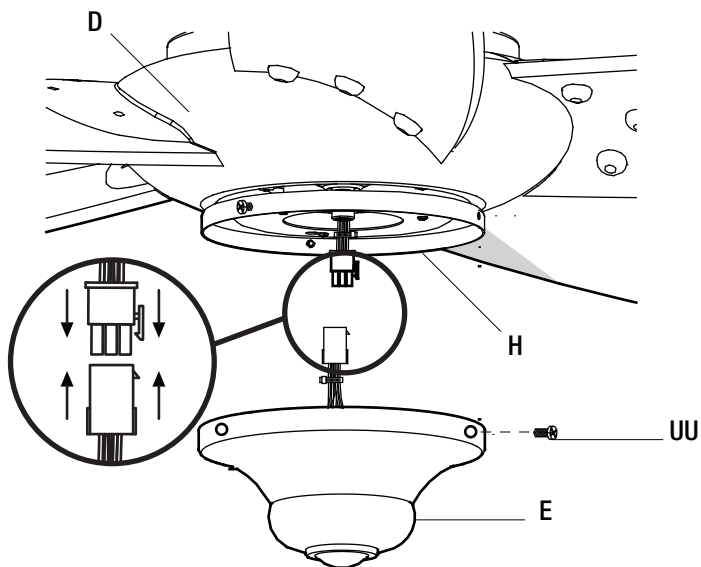


PRECAUCIÓN: Para disminuir el riesgo de descarga eléctrica, desconecta el circuito de energía del ventilador antes de instalar la caja del interruptor.



IMPORTANTE: Es fundamental para fijar la caja del interruptor utilizando el conector rápido antes de la prueba. El ventilador no funcionará a menos que la caja del interruptor esté conectado al ventilador.

- Quita los tres tornillos (UU) de la caja del interruptor (E).
- Conecta el enchufe del adaptador moldeado de la caja del interruptor (E) con el adaptador moldeado del ensamblado del motor del ventilador (D).
- Alinea los oricios de la caja del interruptor (E) con los tres oricios del adaptador de la caja del interruptor (H).
- Vuelve a instalar los tres tornillos (UU) que retiraste en el primer paso.
- Aprieta armemente los tres tornillos.



Funcionamiento

Control de Pared - Tu ventilador está equipado con un control de pared que controla la velocidad de tu nuevo ventilador de techo. Para más información sobre cómo instalar el control de pared, consulta las instrucciones del control de pared y revisa los componentes incluidos con el mismo.

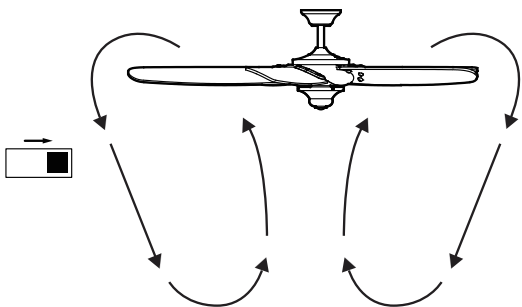
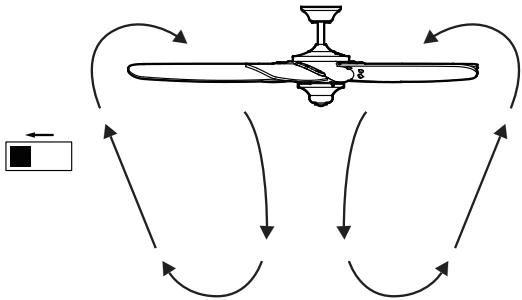
Las configuraciones de velocidad para clima cálido o frío dependen de factores como tamaño de la habitación, altura del techo y cantidad de ventiladores. Este ventilador se envía desde la fábrica con el interruptor de reversa posicionado para hacer circular el aire hacia abajo. Si deseas dirigir la corriente de aire en la dirección contraria, apaga el ventilador y espera que las aspas se detengan, luego desliza el interruptor de reversa (ubicado en la caja del interruptor) hacia la dirección opuesta y vuelve a prender el ventilador. Las aspas del ventilador girarán en sentido contrario y revertirán la dirección de la corriente de aire.



NOTA: Espere a que el ventilador se detenga antes de invertir el sentido de rotación de la cuchilla.

Clima cálido - (Hacia adelante) Un flujo de aire hacia abajo crea un efecto refrescante. Esto te permite bajar tu aire acondicionado en una configuración más alta sin afectar tu comodidad.

Clima frío - (Reversa) Un flujo de aire hacia arriba mueve el aire cálido lejos del techo. Esto te permite bajar tu unidad de calefacción en una configuración más baja sin afectar tu comodidad.



Instalación del control de pared

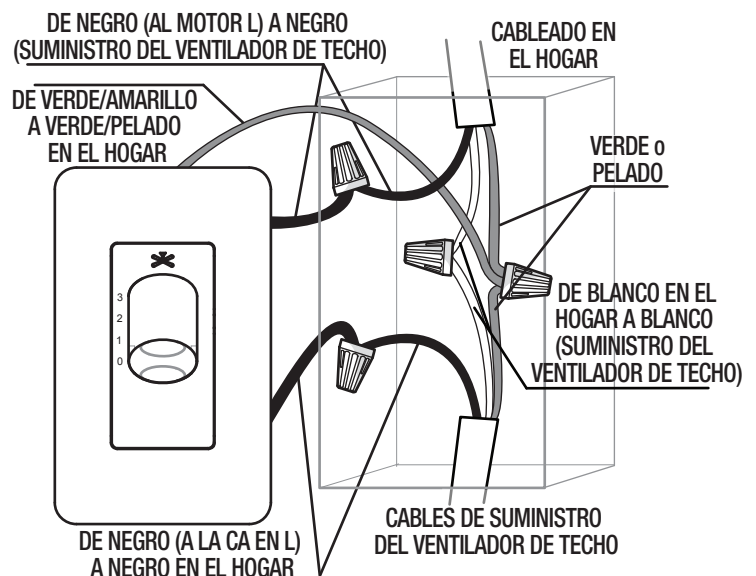


ADVERTENCIA: Para evitar una posible descarga eléctrica, asegúrate de que la electricidad esté apagada de la caja de fusibles o cortacircuitos principal antes de realizar el cableado. Apagar la electricidad en el interruptor de la pared no será suficiente para prevenir una descarga eléctrica. Todo el cableado debe cumplir con los códigos Nacionales y Locales y el ventilador de techo debe conectarse debidamente a tierra como precaución contra una posible descarga eléctrica.



NOTE: Este control de pared que controla la velocidad es para usar con un ventilador, solamente.

- ❑ Desconecta la corriente de la caja del cortacircuitos (fusible).
- ❑ Configura en cero el control montado en pared.
- ❑ Retira la placa de pared y el interruptor preexistentes.
- ❑ Conecta el cable verde/amarillo del interruptor del control montado en pared a los cables verdes o pelados de la caja de conexiones, y asegura con un conector de cables plástico.
- ❑ Conecta el cable blanco en el hogar al cable blanco del ventilador de techo, y asegura con un conector de cables plástico.
- ❑ Conecta el cable negro en el hogar al cable negro marcado "CA en L", y asegura con un conector de cables plástico.
- ❑ Conecta el cable negro marcado "al motor L" al cable negro del ventilador de techo. Asegura con un conector de cables plástico.
- ❑ Envuelve cada conector de cable con cinta de electricista (no incluida).
- ❑ Separa los cables negros de los cables blanco y verde. Coloca los cables blanco y verde dentro de la caja eléctrica.
- ❑ Coloca los cables verde y blanco dentro de la caja de conexiones.
- ❑ Asegura el control montado en pared a la caja eléctrica con los dos tornillos incluidos.
- ❑ Presiona ligeramente la placa frontal sobre el control en pared (encajará a presión en su sitio).
- ❑ Restablece la electricidad en la caja de cortacircuitos (fusible). Tu ventilador está listo para funcionar con el interruptor de control montado en pared.



Funcionamiento

Cómo poner en funcionamiento el ventilador:

- 0 = Apagado
- 1 = Velocidad Alta
- 2 = Velocidad Media
- 3 = Velocidad Baja

Mantenimiento y Limpieza



ADVERTENCIA: Asegúrate de que la corriente esté apagada antes de limpiar el ventilador.

- Debido al movimiento natural del ventilador, algunas conexiones pueden aflojarse. Revisa las conexiones de soporte, los soportes y accesorios de aspas dos veces al año. Verifica que estén bien asegurados. No es necesario desmontar el ventilador del techo.
- Limpia tu ventilador con frecuencia para que luzca como nuevo a pesar de los años. No uses agua al limpiar, esto puede dañar el motor o la madera, o puede causar descargas eléctricas. Usa solamente un cepillo suave o un paño sin pelusas para evitar arañar el acabado.
- Para mayor protección y belleza, puedes aplicar a la madera una fina capa de pulimento para muebles. Cubre los arañazos pequeños con una leve aplicación de lustrador para calzado.
- Tu ventilador no necesita lubricación. El motor tiene cojinetes de bola sellados que están permanentemente lubricados.

Solución de problemas

Problema	Solución
El ventilador no enciende.	<ul style="list-style-type: none"><input type="checkbox"/> Revisa los fusibles o disyuntores principales y secundarios.<input type="checkbox"/> Verifica las conexiones de cables en línea al ventilador y las conexiones de cables del interruptor en la caja de interruptores.<input type="checkbox"/> Revisa la batería del control remoto.<input type="checkbox"/> Asegúrate de estar en el rango normal de 3 a 6 metros.<input type="checkbox"/> Recuerda desconectar la electricidad antes de verificar las configuraciones del interruptor en línea.
El ventilador hace ruido.	<ul style="list-style-type: none"><input type="checkbox"/> Asegúrate de que los tornillos de la carcasa del motor estén ajustados.<input type="checkbox"/> Asegúrate de que los tornillos que unen el soporte de aspa al cuerpo del motor estén bien ajustados.<input type="checkbox"/> Asegúrate de que los empalmes de plástico no choquen unos con otros o con la pared interior de la caja del interruptor.<input type="checkbox"/> Permite un período de 24 horas de “adaptación”. La mayoría de los ruidos asociados con un nuevo ventilador desaparecen en ese período.<input type="checkbox"/> Si usas el kit de Luces de Ventilador de Techo, asegúrate de que los tornillos que sujetan el vidrio estén bien colocados. Verifica que las bombillas estén bien aseguradas.<input type="checkbox"/> Asegúrate de que la cubierta esté a corta distancia del techo. No debe tocar el techo.<input type="checkbox"/> Asegúrate de que tu caja eléctrica y las almohadillas aislantes de goma sean instaladas entre la placa de montaje y la caja eléctrica.
El ventilador oscila.	<ul style="list-style-type: none"><input type="checkbox"/> Verifica que todos los tornillos y brazos de las aspas estén seguros.<input type="checkbox"/> La mayoría de los problemas de oscilación del ventilador se deben a que las aspas no están a un mismo nivel. Verifica que estén niveladas seleccionando un punto en el techo sobre la punta de una de las aspas. Mide desde un punto en el centro del aspa hasta punto en el techo. Gira el ventilador hasta que la próxima aspa quede posicionada para medir y mide desde el mismo punto en cada aspa hasta el techo. Las desviaciones de medición no deben ser mayores a 0,32 cm. Enciende el ventilador durante diez minutos.

HOME DECORATORS COLLECTION

¿Preguntas, problemas o piezas faltantes? Antes de regresar a la tienda,
llama al servicio al cliente de The Home Depot
de lunes a viernes, de 8 a.m. a 6 p.m. (hora estándar del Este)

1-800-986-3460

[HOMEDEPOT.COM/HOMEDECORATORS](https://www.homedepot.com/homedecorators)

Conserva este manual para uso futuro.