



**Count on it.**

**Parts Catalog**

**22in Recycler<sup>®</sup> Lawn Mower**

Model No. 20333—Serial No. 31200001 and Up

# Ordering Replacement Parts

To order replacement parts, please supply the part number, the quantity, and the description of each part desired.

## Understanding Reference Numbers

Each identified part in an illustration has a reference number. The reference number for a part also appears in the parts list, along with other information about the part.

This catalog uses two special reference number formats, one to indicate parts in a service assembly and another to indicate the quantity of a given part in an illustration.

## Service Assembly Reference Numbers

Parts in service assemblies have reference numbers in the form a:b. The a represents the reference number of the entire service assembly and the b represents a sequential number unique to each part within the service assembly.

For example, a wheel assembly might be identified by reference number 6, the tire by 6:1, the valve by 6:2, and the wheel by 6:3. When you order the assembly identified by reference number 6, you receive all parts identified by reference numbers 6:1, 6:2, and 6:3. However, you may also order any part individually. Reference numbers of this type appear in illustration and in parts lists.

## Reference Numbers Indicating Quantity

In an illustration, if a reference number indicates more than one part, the reference number has the form nX y. The n represents the quantity of the part, the X is the multiplication symbol, and the y represents the reference number.

For example, in an illustration, the reference number 2X 37 means that two of the parts identified by reference number 37 are indicated.

# List of Abbreviations

**AR:** as required

**ASM:** assembly

**BBC:** blade brake control

**BHTF:** button head thread forming

**CARR:** carriage

**CCW:** counter clockwise

**CW:** clockwise

**DEG:** degrees

**DPA:** Dual Point Adjustment

**ECM:** electronic control module

**EXT:** external

**FH:** flat head

**GA:** gauge

**HD:** heavy-duty

**HF:** hex flange

**HH:** hex head

**HHF:** hex head flange

**HHFTF:** hex head flange thread forming

**HJ:** hex jam

**HLH:** hex lag head

**HOC:** height-of-cut

**HSBH:** hex socket button head

**HSFH:** hex socket flat head

**HSH:** hex socket head

**HWH:** hex washer head

**HWHTF:** hex washer head thread forming

**HYD:** hydraulic

**LH:** left hand

**LP:** Liquid Propane

**NI:** nylon insert

**NPTF:** national pipe thread fine

**PFH:** phillips flat head

**PPH:** phillips pan head

**PPHTF:** phillips pan head thread forming

**PRH:** phillips round head

**PTH:** phillips truss head

**PTO:** power-take-off

**RH:** right hand

**ROPS:** roll-over protection system

**RRB:** rear roller brush

**SFH:** slotted fillister head

**SHH:** slotted hex head

**SHWH:** slotted hex washer head

**SPH:** slotted pan head

**SQH:** square head

**SRH:** slotted round head

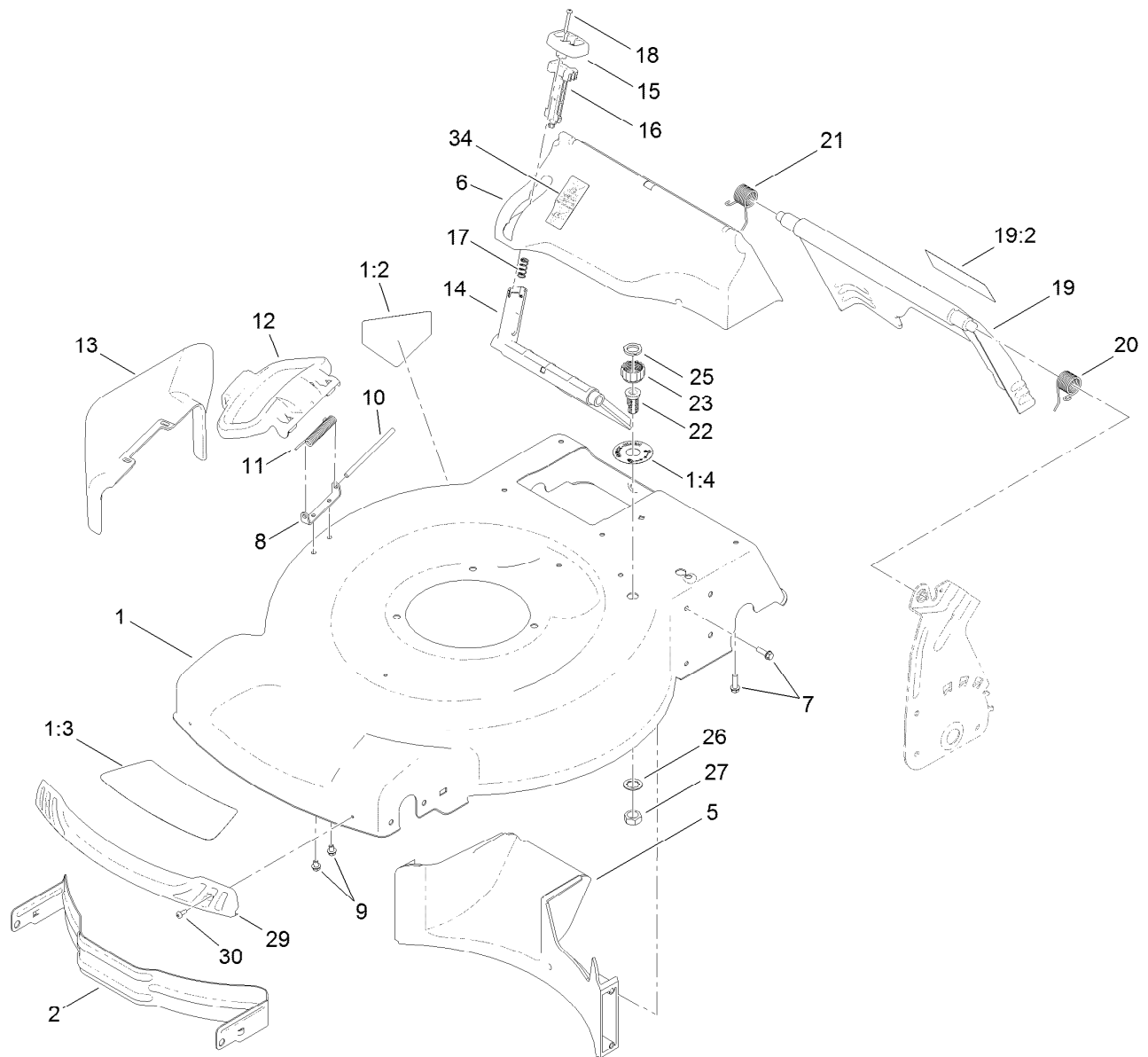
**STD:** standard

**TAP:** self tapping

**TTH:** torx truss head

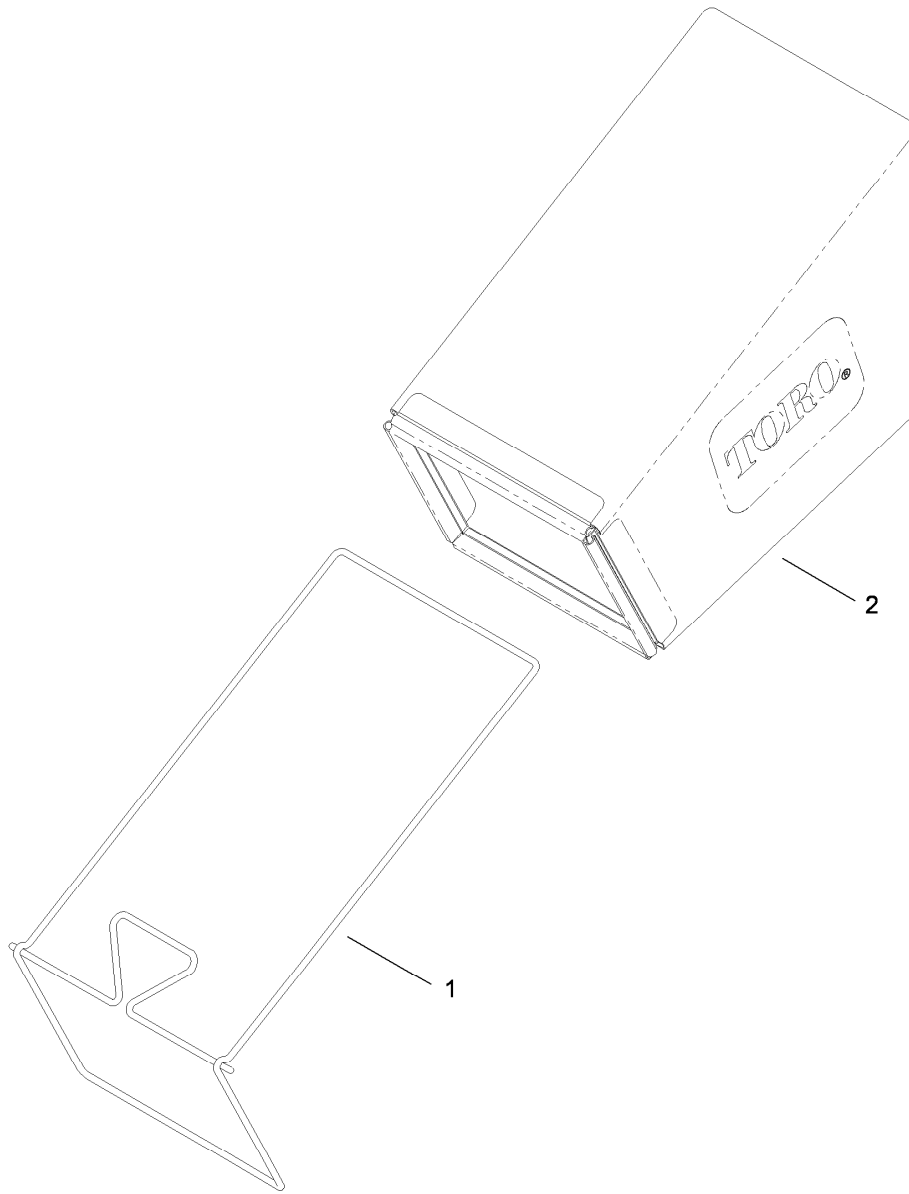
# Contents

Deck, Side Chute and Rear Door Assembly .....	4
Rear Bag Assembly .....	5
Engine and Blade Assembly .....	6
Front Wheel and Height-of-Cut Assembly .....	7
Transmission and Rear Wheel Drive Assembly .....	8
Upper Handle Assembly .....	9
Upper Handle Component Assembly .....	10
Attachments and Accessories .....	11



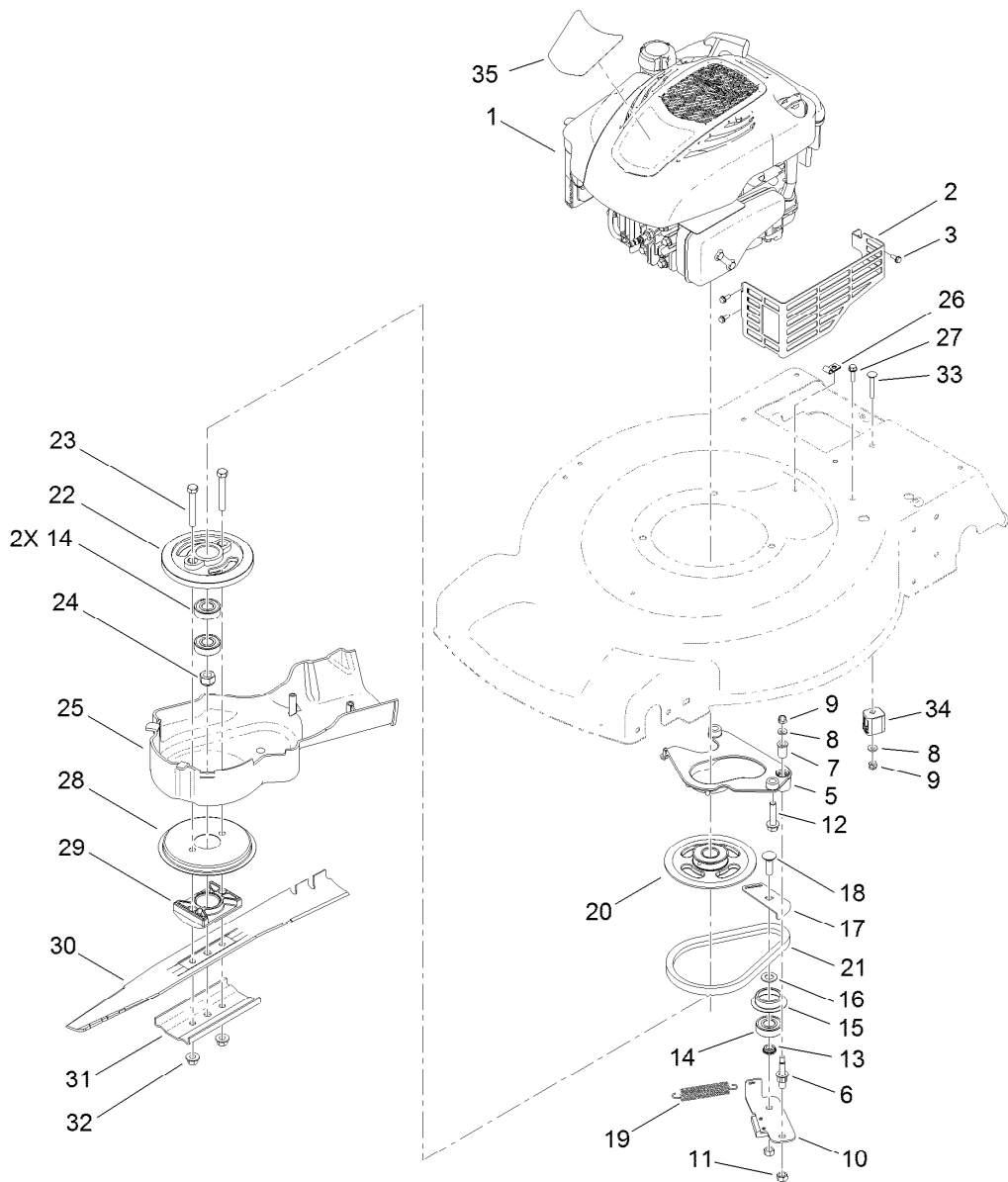
## Deck, Side Chute and Rear Door Assembly

Ref.	Part Number	Qty.	Description	Ref.	Part Number	Qty.	Description
1	117-1084	1	Housing ASM	16	114-7959	1	Latch-Recycle
1:2	94-8072	1	Decal-Danger	17	117-1031	1	Spring-Compression
1:3	115-4676	1	Decal-Recycler	18	32104-120	2	Screw-PPH
1:4	112-8867	1	Decal-Port, Washout	19	121-5776	1	Rear Door ASM
2	114-7963-01	1	Baffle-Front	19:2	114-7982	1	Decal-Warning
5	114-7961	1	Baffle-Rear	20	115-2859	1	Spring-Torsion
6	115-4677	1	Chute-Recycle	21	114-7924	1	Spring-Torsion
7	46-8091	9	Screw-HWH	22	112-6400	1	Port-Washout
8	112-6416	1	Bracket-Cover	23	112-6401	1	Coupling-Hose, Washout Port
9	99-8445	2	Screw-HWH, Taptite	25	112-6438	1	Washer-Seal, Washout Port
10	99-5291	1	Rod-Cover	26	3254-5	1	Washer-Tooth, Internal
11	99-5293	1	Spring-Torsion	27	3218-6	1	Nut-Jam
12	115-8449	1	Deflector-Side	29	114-7987	1	Bumper
13	115-8447	1	Chute-Discharge, Side	30	105-6849	2	Screw-Thread Forming
14	114-7960	1	Deflector-Recycle	34	117-5928	1	Decal-Bag On Demand
15	114-7958	1	Knob-Recycle				



## Rear Bag Assembly

<i>Ref.</i>	<i>Part Number</i>	<i>Qty.</i>	<i>Description</i>
1	114-2679-03	1	Frame-Bag
2	115-4673	1	Grass Bag ASM

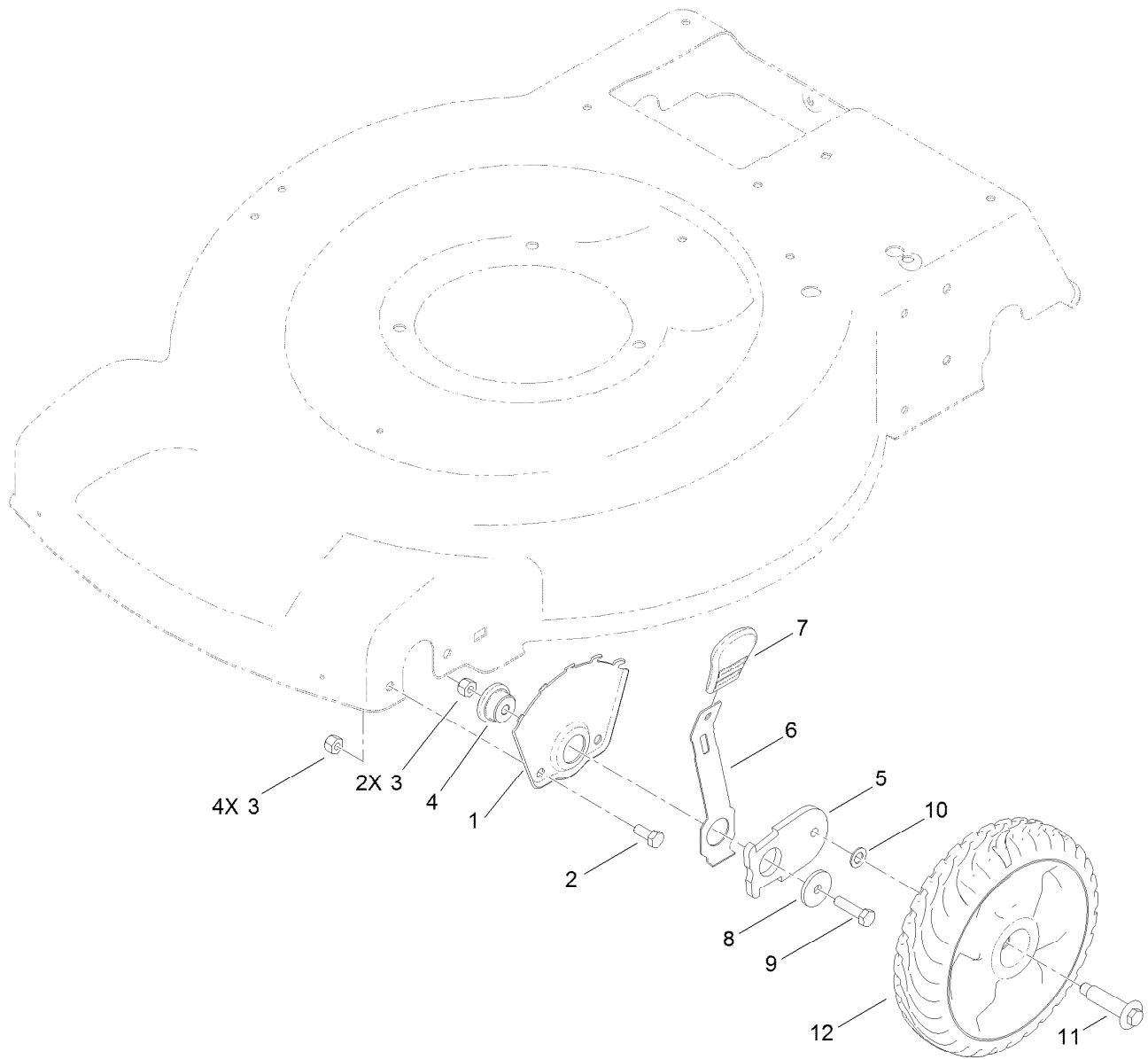


## Engine and Blade Assembly

Ref.	Part Number	Qty.	Description	Ref.	Part Number	Qty.	Description
1		1	Engine-Briggs, 128M02-3456-B1 ●■	19	108-3792	1	Spring-Tension, Brake
2	104-7577-03	1	Shield-Muffler	20	117-5970	1	Pulley-BBC
3	32144-1	3	Screw-Taptite	21	110-1790	1	Belt-BBC
5	108-9341	1	Plate-Anchor	22	107-0754	1	Drum
6	107-0759	1	Bolt-Shoulder	23	3211-42	2	Screw-HH
7	107-0797	1	Bushing	24	108-9342	1	Nut-Hex
8	3256-16	2	Washer-Flat	25	115-2892	1	Cover-BBC
9	3296-73	2	Nut-Lock, NI	26	2412-72	1	Clip-Closed, Insulated
10	120-3327	1	Brake Arm ASM	27	46-8091	2	Screw-HWH
11	603773	2	Nut	28	108-3787	1	Disc
12	32144-102	3	Screw-HWH	29	107-7487	1	Support-Blade
13	107-0758	1	Spacer-Bearing	30	108-9764-03	1	Blade-22 Inch
14	100-1048	3	Bearing-Ball	31	108-3766-03	1	Support-Blade
15	108-3790	1	Retainer-Belt	32	54-9190	2	Nut-Lock
16	605256	1	Washer-Plain	33	3229-5	1	Screw-CARR
17	107-7471	1	Plate-Guide	34	106-6801	1	Anchor-Cable, BBC
18	3231-25	1	Screw-CARR	35	121-2371	1	Decal-Shroud

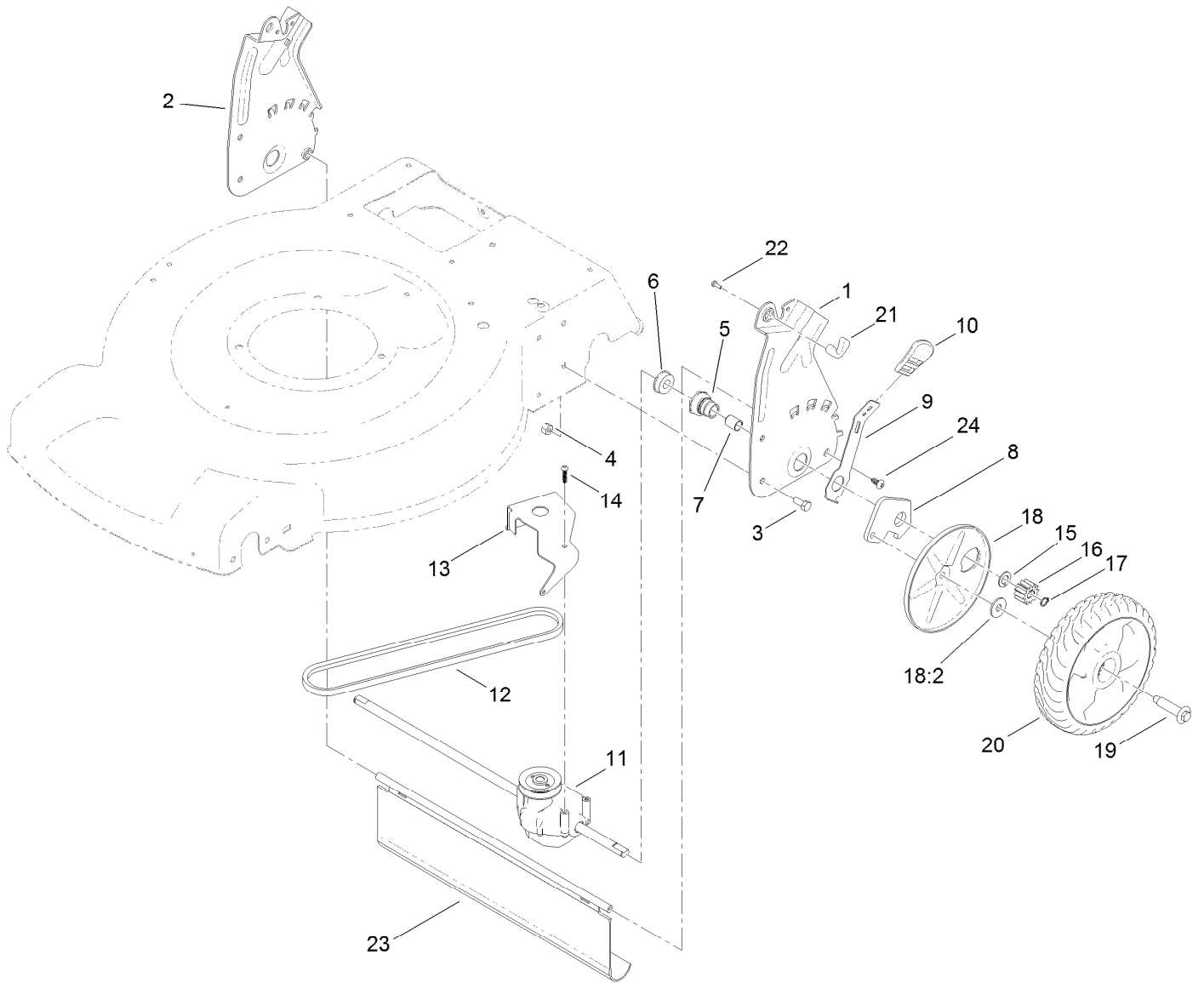
● Not serviced separately

■ Obtain parts from [www.briggsandstratton.com](http://www.briggsandstratton.com)



## Front Wheel and Height-of-Cut Assembly

Ref.	Part Number	Qty.	Description
1	115-1956-03	2	Plate-HOC, Front
2	322-3	4	Screw-HH
3	3296-29	6	Nut-Lock, NI
4	105-1818	2	Bushing-Mount, HOC
5	105-1807	2	Arm-Pivot, Front
6	105-1809	2	Arm-Spring
7	110-0549	2	Knob-HOC
8	105-3048	2	Washer-Flat
9	322-6	2	Screw-HH
10	40-1940	2	Washer
11	614650	2	Bolt-Shoulder
12	115-2894	2	8 Inch Wheel ASM

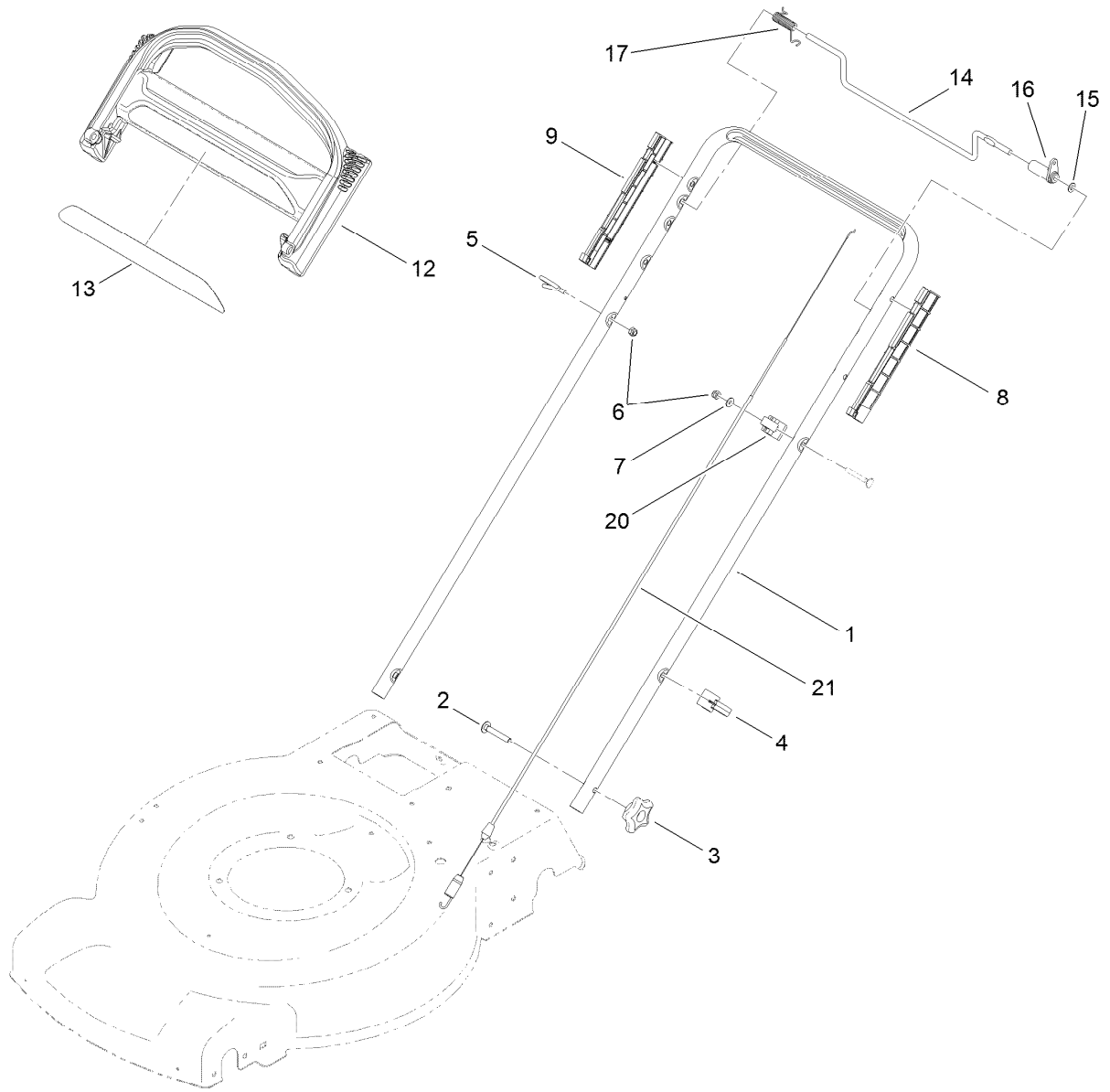


## Transmission and Rear Wheel Drive Assembly

Ref.	Part Number	Qty.	Description
1	114-7955-03	1	Plate-Rear, LH (HOC)
2	114-7956-03	1	Plate-Rear, RH (HOC)
3	322-3	4	Screw-HH
4	3296-29	4	Nut-Lock, NI
5	108-9779	2	Retainer-Bushing, HOC
6	104-8699	2	Bearing-Ball
7	108-9782	2	Bushing-Sleeve
8	108-9781	2	Arm-Pivot, Rear
9	108-9780	2	Arm-Spring
10	110-0549	2	Knob-HOC
11	115-4652	1	Transmission
12	115-4669	1	Belt-V
13	114-7977-03	1	Bracket-Transmission

Ref.	Part Number	Qty.	Description
14	108-7476	3	Screw-Plastite
15	110-7191	2	Washer-Thrust
16	115-4668	2	Gear-Pinion, 12T
17	32151-61	2	Ring-Retaining
18	110-1792	2	Wheel Cover ASM
18:2	614426	1	Washer-Stepped
19	614650	2	Bolt-Shoulder
20	115-4695	2	8 Inch Wheel Gear ASM
21	115-8406	2	Anchor-Bag
22	105-9437	2	Screw-PPH
23	115-2893	1	Shield-Trailing
24	117-1092	2	Screw-PTH

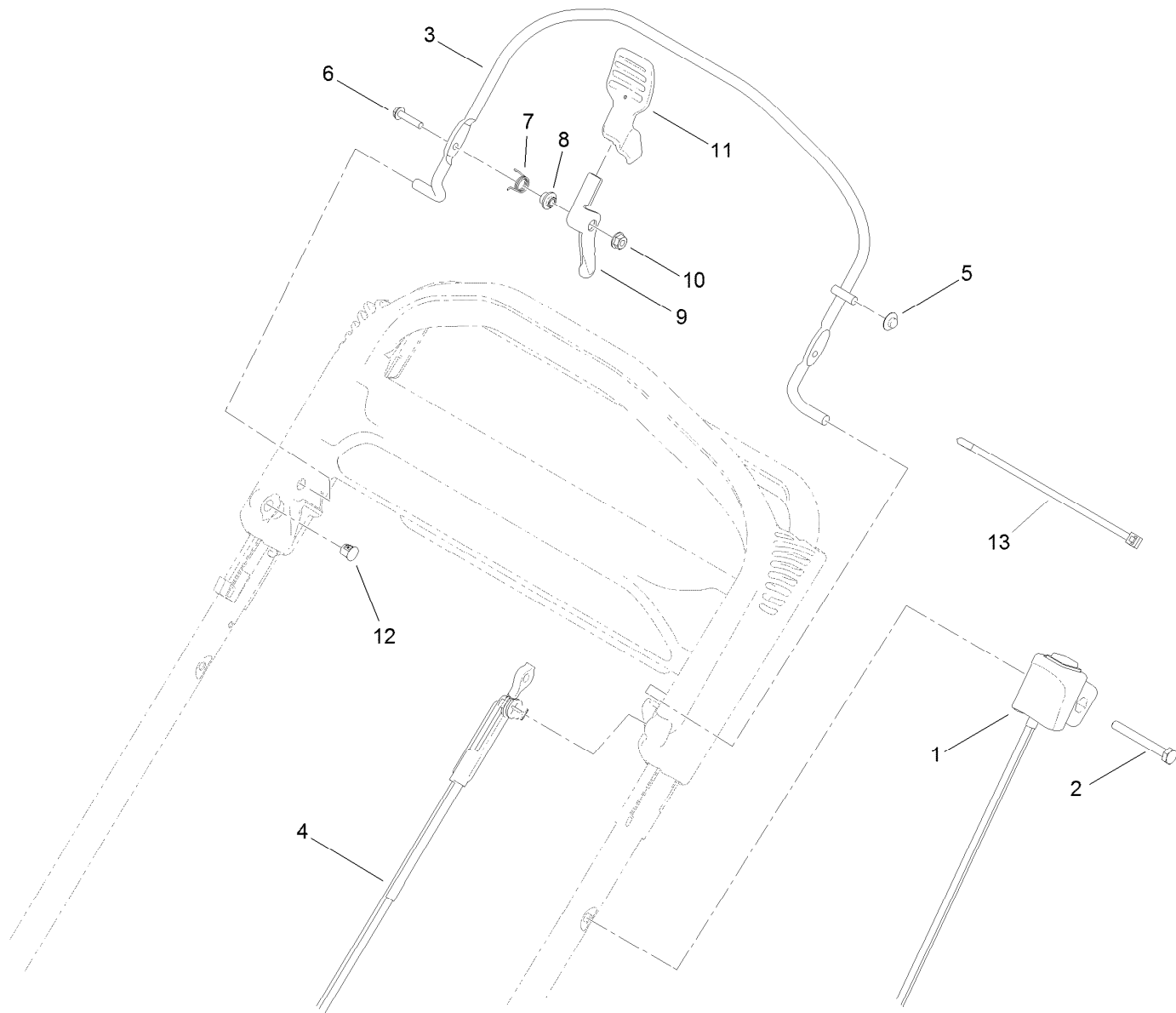




## Upper Handle Assembly

<i>Ref.</i>	<i>Part Number</i>	<i>Qty.</i>	<i>Description</i>
1	119-3810-05	1	Handle
2	3230-6	2	Screw-CARR
3	117-5976	2	Knob-Handle, Locking
4	114-7988	1	Guide-Cable
5	86-9671	1	Guide-Rope
6	3296-73	2	Nut-Lock, NI
7	3256-1	1	Washer-Flat
8	105-6842	1	Guide-LH
9	105-6841	1	Guide-RH

<i>Ref.</i>	<i>Part Number</i>	<i>Qty.</i>	<i>Description</i>
12	104-8678	1	Handle-Control
13	117-1019	1	Decal
14	99-1588	1	Bar-Control, Traction
15	3256-23	1	Washer-Flat
16	99-1589	1	Lever-Traction
17	104-8690	1	Spring-Torsion
20	99-5239	1	Anchor-Cable
21	115-8435	1	Cable-Traction



## Upper Handle Component Assembly

<i>Ref.</i>	<i>Part Number</i>	<i>Qty.</i>	<i>Description</i>
1	117-5975	1	Switch Housing ASM
2	321-50	1	Screw-HH
3	108-3788-03	1	Bail-Brake
4	115-8439	1	Cable-Brake, BBC
5	3290-337	1	Nut-Speed
6	106-9169	1	Screw-HWH
7	107-7462	1	Spring-Torsion
8	107-7463	1	Spacer
9	106-6802	1	Lever
10	32128-17	1	Nut-Lock, Flange
11	112-8884	1	Knob-BBC
12	104-9368	1	Plug-Dome
13	614249	2	Tie-Cable

# Attachments and Accessories

## For 20333 22in Recycler Lawn Mower

<b>Product Name</b>	<b>Model/Part</b>
Traction Assist Handle Kit.....	108-8120
Loose Parts Kit .....	117-4132
Replacement Bag .....	59310
Replacement Frame and Bag Kit.....	59312
22in Blade Kit.....	59534



**Count on it.**