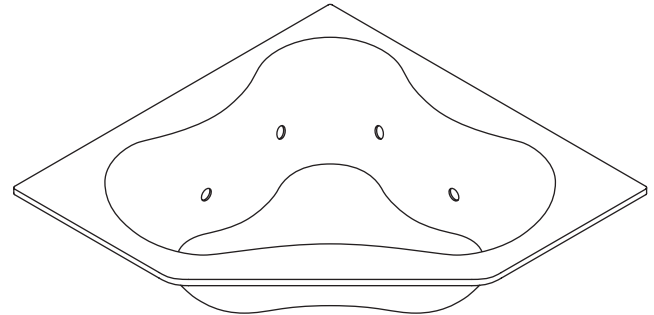


### Features

- Acrylic
- Drop-in rim style or tile flange, right-hand pump
- 1.25 hp pump with air switch and grounding-type plug-in cord
- 6 individually adjustable multi-directional hydro-massage jets
- In-line heater
- Molded lumbar supports and armrests
- For corner installation
- Optional K-1491 removable bath pillow
- Optional K-1717 ProFlex® 20-minute timer kit
- 54" (137.2 cm) x 54" (137.2 cm) x 20-1/2" (52.1 cm)

### ACRYLIC BATH WHIRLPOOL WITH HEATER

**K-1154-H**  
ALSO K-1154-FH



### Codes/Standards Applicable

Specified model meets or exceeds the following:

- ASME A112.19.7M
- ANSI Z124.1.2
- IAPMO/UPC
- Underwriters Laboratories (UL)

### Colors/Finishes

- 0: White
- Other: Refer to Price Book for additional colors/finishes

### Accessories

- 0: White
- CP: Polished Chrome
- PB: Vibrant® Polished Brass
- NA: None applicable
- Other: Refer to Price Book for additional colors/finishes

### Specified Model

Model	Description	Colors/Finishes	
K-1154-H	Bath whirlpool, drop-in rim style, right-hand pump	<input type="checkbox"/> 0	<input type="checkbox"/> Other_____
K-1154-FH	Bath whirlpool, tile flange, right-hand pump	<input type="checkbox"/> 0	<input type="checkbox"/> Other_____

Recommended Accessories			
K-7213	Cable drain with PVC tubing	<input type="checkbox"/> CP	<input type="checkbox"/> PB
K-7214	Cable drain without PVC tubing	<input type="checkbox"/> CP	<input type="checkbox"/> PB
K-11677	Trip lever drain	<input type="checkbox"/> CP	<input type="checkbox"/> PB

### Product Specification

The acrylic bath whirlpool shall be 54" (137.2 cm) in length, 54" (137.2 cm) in width, and 20-1/2" (52.1 cm) in height. Bath whirlpool shall be drop-in rim style with tile flange, and right-hand pump. Bath whirlpool shall have 6 individually adjustable multi-directional hydro-massage jets, a 1.25 hp pump with air switch and grounding-type plug-in cord, and an in-line heater. Bath whirlpool shall have molded lumbar supports and armrests. Bath whirlpool shall be for corner installation. Bath whirlpool shall have an optional K-1491 removable pillow, an optional K-1717 20-minute timer kit, an optional K-1601 footstop, and an optional K-9696 jet trim kit. Bath whirlpool shall be Kohler Model K-1154-\_\_\_\_\_-\_\_\_\_\_.

# PROFLEX® 5454

## Optional Accessories

K-1491	Pillow	<input type="checkbox"/> 0	<input type="checkbox"/> Other_____
K-1601	Footstop	<input type="checkbox"/> 0	<input type="checkbox"/> Other_____
K-1717	20-minute timer kit		<input type="checkbox"/> NA
K-9696	Jet trim kit (metal finishes)	<input type="checkbox"/> CP <input type="checkbox"/> PB	<input type="checkbox"/> Other_____

## Technical Information

Fixture*:	
Basin area:	
Bathing well	44" (111.8 cm) x 36" (91.4 cm)
Top area	56" (142.2 cm) x 43" (109.2 cm)
To overflow:	
Water depth	15" (38.1 cm)
Capacity	76 gal (288 L)
Weight	70 lbs (31.8 kg)
* Approximate measurements for comparison only.	

Pump:	Hp	V	Hz	A
1-speed	1.25	120	60	7.5
Heater:	kW	V	Hz	A
	1.5	120	60	12.5

## Required Electrical Service

Two dedicated circuits required, each protected with Class A Ground-Fault Circuit-Interrupter (GFCI):

Pump/control 120 V, 15 A, 60 Hz

Heater: 120 V, 15 A, 60 Hz

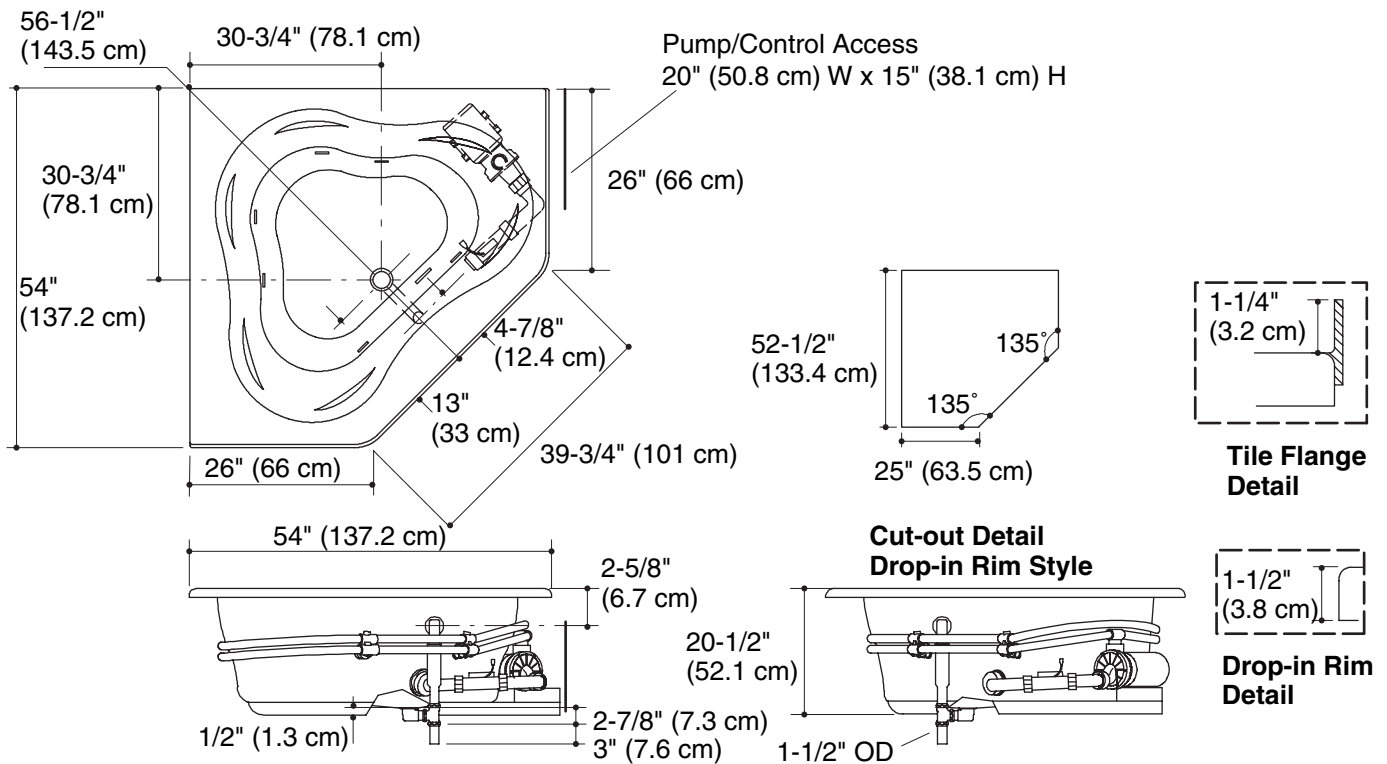
Locate the outlet behind the whirlpool and within 24" (61 cm) of the pump.

## Installation Notes

Install this product according to the installation guide.

Floor support under whirlpool must provide for a minimum of 36 lbs/square foot (176 kg/square meter) loading.

No change in measurements if connected with drain illustrated. (K-11677)



## Product Diagram