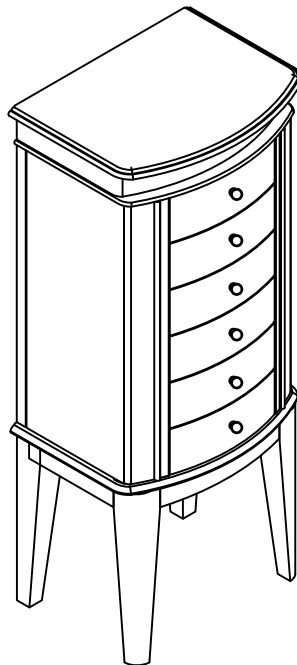


**StyleWell™**

Model #BF-25652-WH  
BF-25652-WA  
Item #1004019290  
1004019349

## USE AND CARE GUIDE

**THD PRODUCT NAME: Jewelry Armoire with curved detail and 6 drawers**



**Questions, problems, missing parts? Before returning  
to the store, Call Customer Service  
8 a.m. - 7p.m., EST, Monday - Friday, 9 a.m. - 6 p.m.,  
EST, Saturday**

**1-877-527-0313  
HOMEDEPOT.COM**

---

**THANK YOU**

*We appreciate the trust and confidence you have placed in Stylewell through the purchase of this jewelry armoire. We strive to continually create quality products designed to enhance your home. Visit us online to see our full line of products available for your home improvement needs. Thank you for choosing Stylewell!*

---

## Table of Contents

Table of Contents.....	2	Assembly.....	5
Safety Information.....	2	Installation.....	6
Warranty.....	2	Maintenance.....	7
What is Covered.....	2	Care and Cleaning .....	7
What Is Not Covered .....	2		
Pre-Assembly.....	3		
Planning Assembly.....	3		
Tools Required.....	3		
Hardware included .....	3		
Package contents.....	4		

## Safety Information

Read and understand these instructions before attempting to install or use this product.



**CAUTION:** Use caution when lifting heavy objects. Lifting heavy objects improperly could cause serious injury.



**NOTE:** Handle with care. Do not drop or handle roughly, as this could damage the linen cabinet.

## Warranty

### 1 YEAR WARRANTY

#### WHAT IS COVERED

We guarantee this product to be free of manufacturing defects to the original purchaser for one year.

#### WHAT IS NOT COVERED

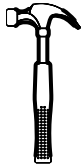
This warranty does not cover commercial use, acts of nature, and abusive use.

# Pre-Assembly

## PLANNING ASSEMBLY

Check the product for damage before installation. If any part of the product is missing or damaged, contact the Customer Service Team at 1-877-527-0313.

## TOOLS REQUIRED



Hammer



Safety goggles

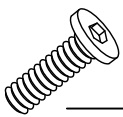


Phillips screwdriver

## HARDWARE INCLUDED



**NOTE:** Hardware not shown to actual size.



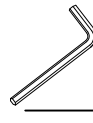
\_\_\_\_\_ A



\_\_\_\_\_ B



\_\_\_\_\_ C



\_\_\_\_\_ D



\_\_\_\_\_ E



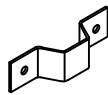
\_\_\_\_\_ F



\_\_\_\_\_ G



\_\_\_\_\_ H

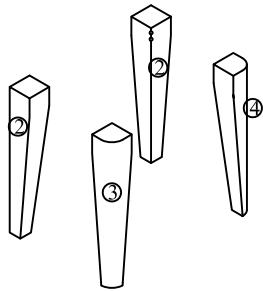
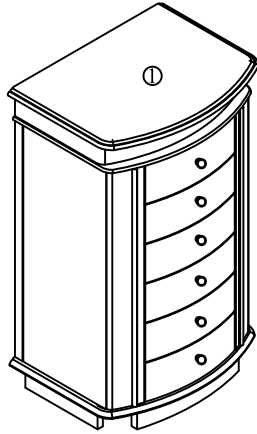


\_\_\_\_\_ I

PART	DESCRIPTION	QUANTITY
A	BOLT	8
B	SPRING WASHER	8
C	FLAT WASHER	8
D	ALLEN WRENCH	1
E	SCREW	2
F	ANCHOR	2
G	SCREW	2
H	PLASTIC BELT	1
I	HOOK	2

# Pre-Assembly

## PACKAGE CONTENTS

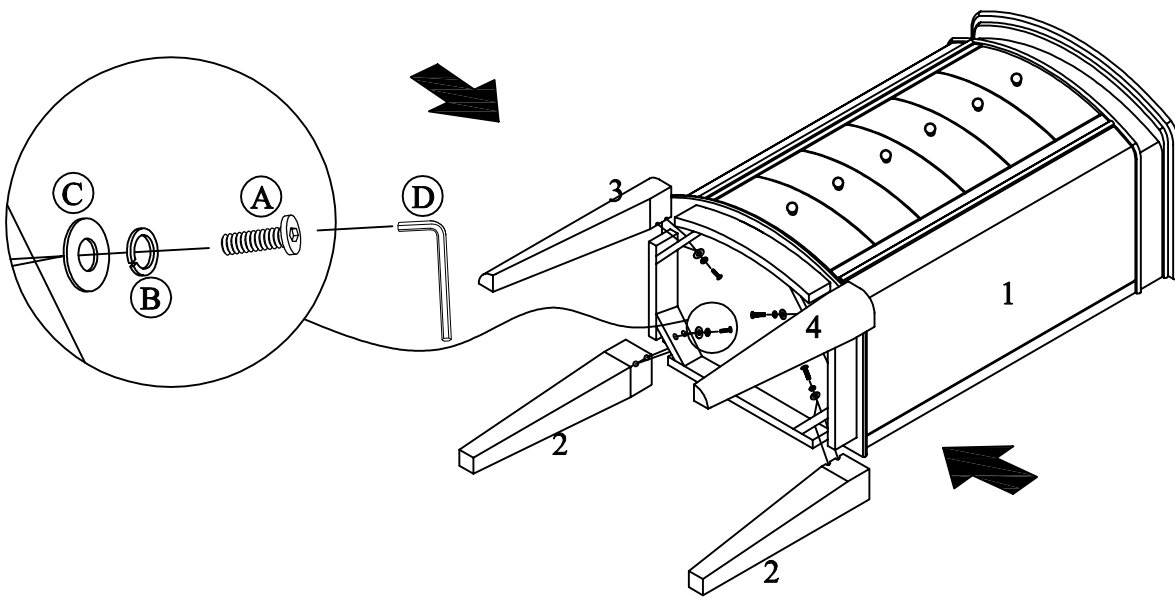


PART	DESCRIPTION	QUANTITY
1	CABINET	1
2	BACK LEG	2
3	FRONT LEFT LEG	1
4	FRONT RIGHT LEG	1

# Assembly

## 1 Assemble leg.

- Attach 2 back legs(2) to cabinet(1) using 4 bolts(A) and 4 spring washer(B) and 4 flat washer(C).
- Attach front left/right legs(3/4) to cabinet(1) using 4 bolts(A) and 4 spring washer(B) and 4 flat washer(C).



# Installation

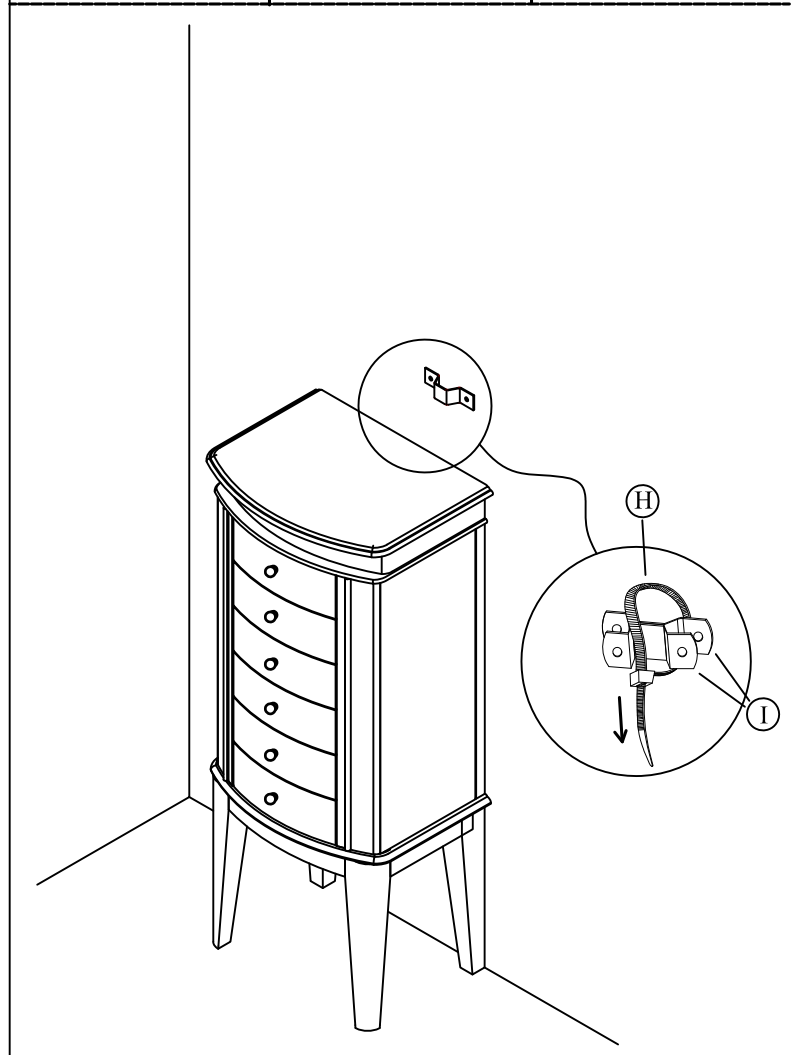
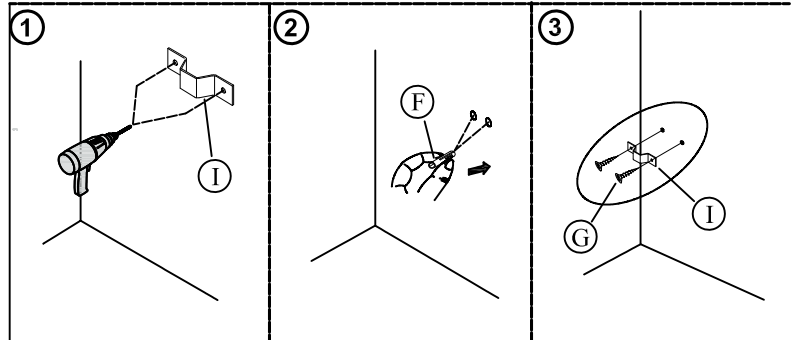
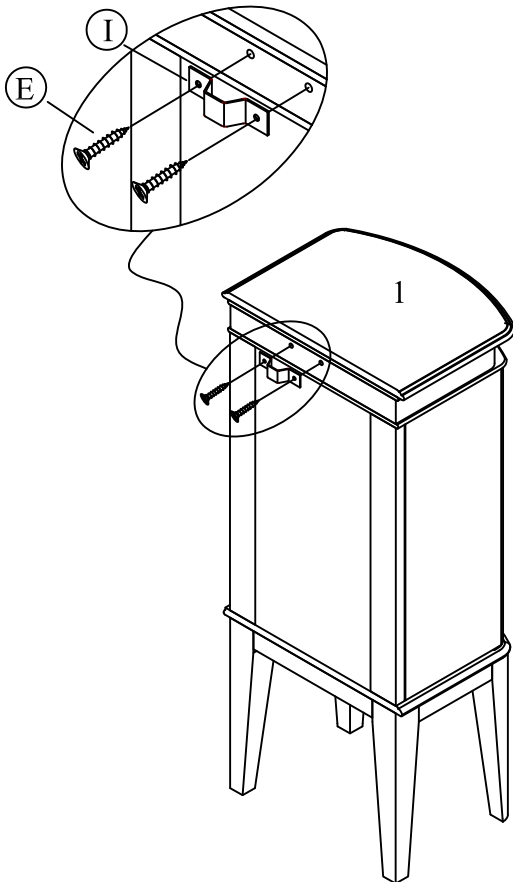
**WARNING**

*Customer must install the tip-over restraints provided. Serious or fatal crushing injuries can occur from furniture tip-over. Use of tip-over restraints may only reduce, but not eliminate, the risk of tip-over.*

**BE CAREFUL!**

## 1 Assemble anti-tip hardware.

- Attach 1 hook(I) to cabinet(1) using 2 screws(E).
- Drill 2 holes into wall, please refer to the rear top panel's hole distance and height.
- Put 2 anchors(F) into holes in the wall, and rotate 2 screws(G) into anchors(F).
- Connect the two hooks(I) with a plastic belt(H).



## Maintenance

---

- If your furniture is stained or otherwise damaged during use, contact a professional for repairs.

## Care and Cleaning

---

- Use a soft, clean cloth that will not scratch the surface when dusting.
- Use of furniture polishes is not necessary. Should you choose to use polishes, test the polish in an inconspicuous area before using over the entire surface of the product.
- Using solvents of any kind on your furniture may damage the finish.
- Never use water to clean your furniture as it may cause damage to the finish.
- Always use coasters under beverage glasses and flowerpots.
- Liquid spills should be removed immediately. Using a soft, clean cloth, blot the spill gently. Avoid rubbing.
- Always use protective pads under hot dishes and plates. Heat can cause chemical changes that may create spotting within the furniture finish.
- Use care as stains or marks from crayons or ink markers will be difficult to remove.
- Be sure to immediately clean red wine or soda stains within 30 minutes or the surface will stain.

# **StyleWell™**

**Questions, problems, missing parts?  
Before returning to the store, call Customer Service  
8 a.m. - 7 p.m., EST, Monday - Friday, 9 a.m. - 6 p.m., EST, Saturday**

**1-877-527-0313**

**HOMEDEPOT.COM**

**Retain this manual for future**