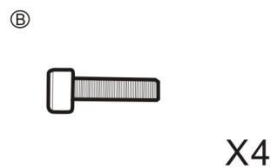
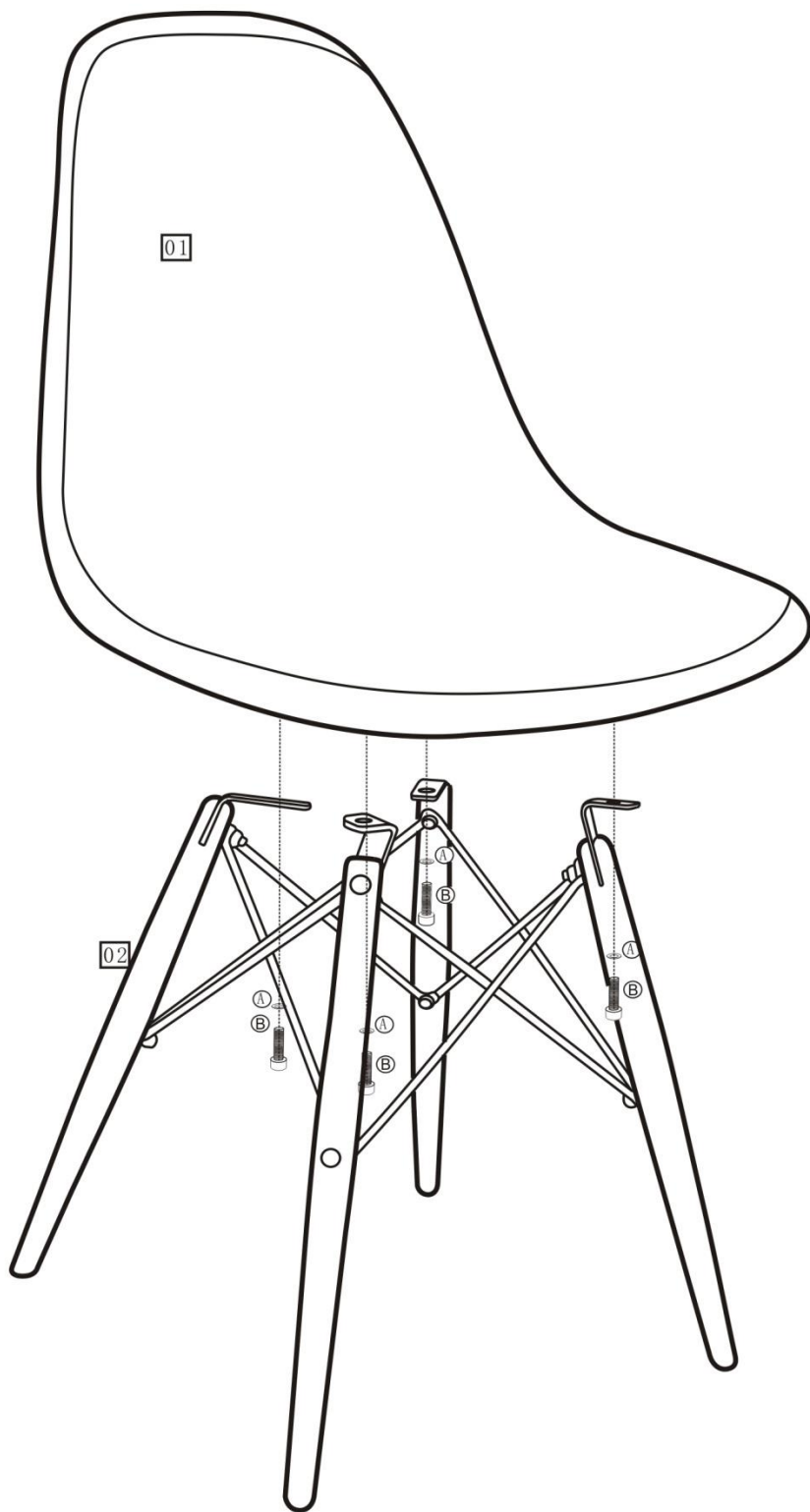


COMPONENT PARTS

FITTINGS



COMPONENT CHECKLIST

PART	No.	Qty.
Seat	01	1
Tube	02	1

TOOLS REQUIRED



Allen key (supplied)