

# OHIO STEEL INDUSTRIES

**PROFESSIONAL GRADE**



## 4048PS-ATV

### 12.5 cu ft POLY SWIVEL ATV DUMP CART

U.S. Patent No. 8,496,298



**READ AND FOLLOW ALL SAFETY RULES AND OPERATING  
INSTRUCTIONS BEFORE USING THIS EQUIPMENT**

# ***Safety Rules***



**This is the safety alert symbol. It is used to alert you to potential personal injury hazards. Obey all safety messages that follow this symbol to avoid possible injury or death.**

Read and understand all safety rules and operating instructions before using this ATV/UTV attachment.

Follow all safety rules and operating instructions provided by your vehicle's manufacturer when using attachment.

Never allow children or untrained persons to operate vehicle or attachment.

Do not exceed the vehicle manufacturer's towed weight limit.

Reduce vehicle speed and allow extra stopping distance when towing heavy loads.

Reduce vehicle speed and towed weight when operating on slopes.

Operate up and down slopes, never across the face of slopes.

Do not carry passengers on vehicle or attachment.

Avoid sudden turns or maneuvers.

Do not tow attachment on public roadways.

Do not remove warning decals from product.

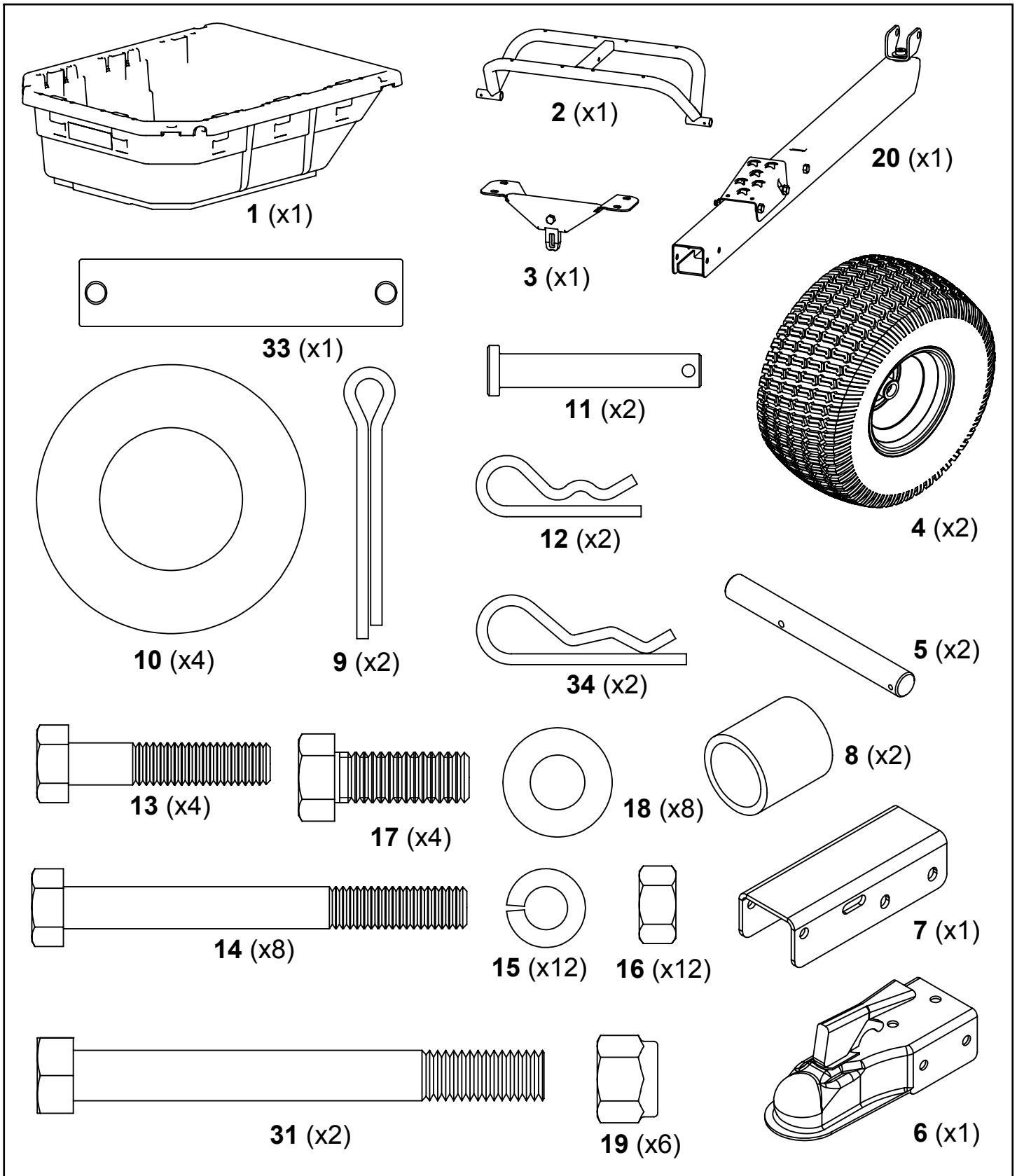
Check product for worn, loose, or damaged parts before each use. If any damage is present, repair the product before using.

Check product for loose or missing fasteners before each use. Tighten or replace fasteners as needed before using.

Do not exceed vehicle speed of 20 miles per hour when towing Dump Cart.

Do not exceed Dump Cart rated weight capacity of 1250 pounds.

# Carton Contents

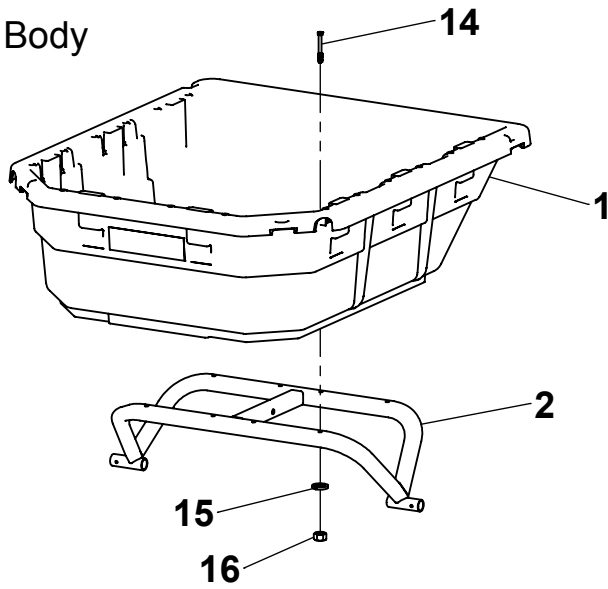


## TOOLS REQUIRED FOR ASSEMBLY:

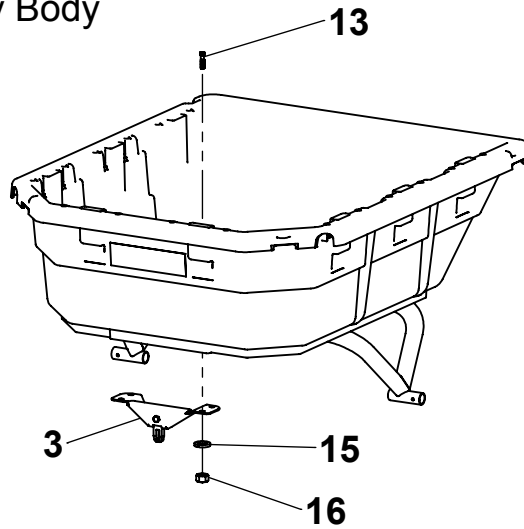
- 1/2" Wrench and Socket
- 9/16" Wrench and Socket
- Needle-Nose Pliers
- Grease Gun

# Assembly Instructions

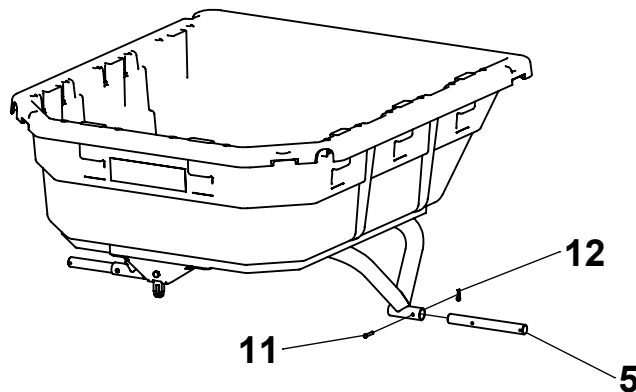
- 1** Attach Undercarriage to Poly Body and tighten hardware.



- 2** Attach Front Support to Poly Body and tighten hardware.



- 3** Insert Stub Axles into Undercarriage and secure with pins as shown.

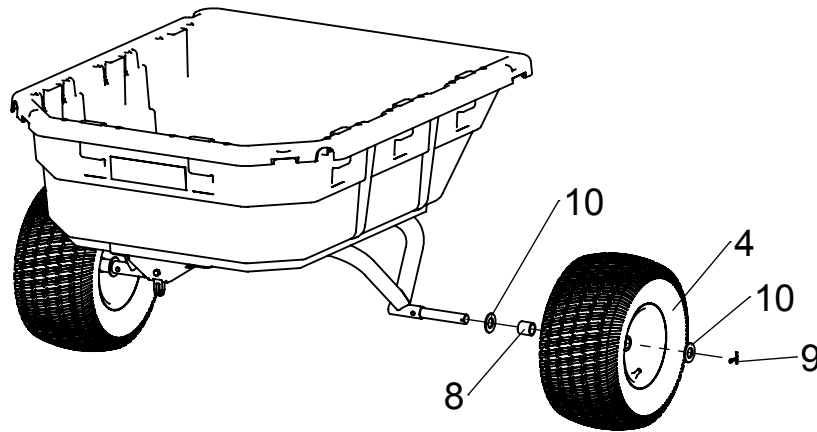




# Assembly Instructions

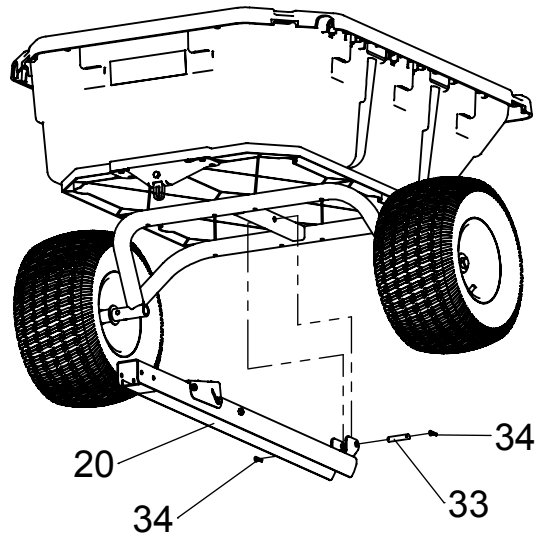
**4**

Slide Washers, Spacers and Wheels onto Stub Axles and install Cotter Pin. Bend legs of Cotter Pin to secure.



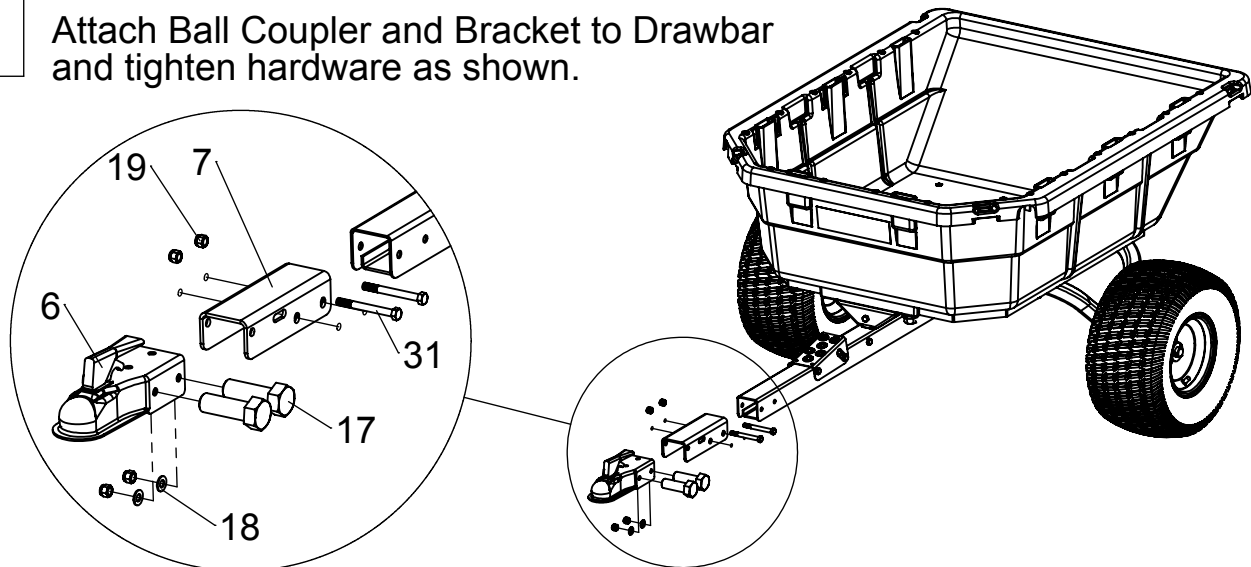
**5**

Align holes in Swivel Clevis and Undercarriage and install Pin as shown. Secure Pin on both ends with Hairpins.



**6**

Attach Ball Coupler and Bracket to Drawbar and tighten hardware as shown.



# ***Operating Instructions***

## **Before Using Dump Cart:**

1. Apply lithium grease to wheels using grease gun until grease can be seen squeezing out from both sides of the wheel.
2. Check tire pressure and inflate to 24 psi if needed.
3. Read all Safety Rules found on page 1.

## **How to Use Dump Cart:**

1. Attach Dump Cart to your ATV or UTV.
2. Do not exceed 1250 pounds when loading material into the cart body.
3. Distribute the weight of the load as evenly as possible in the cart body for best handling.
4. When hauling heavy loads, verify that your vehicle has adequate towing and braking capacity.
5. Do not exceed 20 miles per hour when towing Dump Cart.

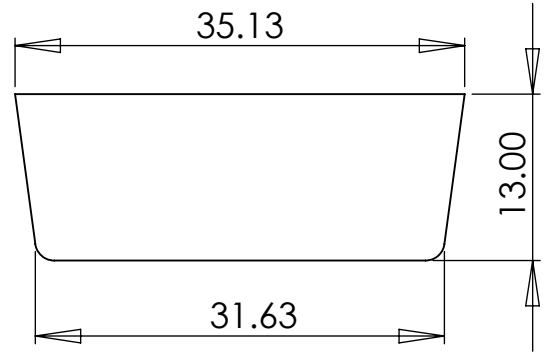
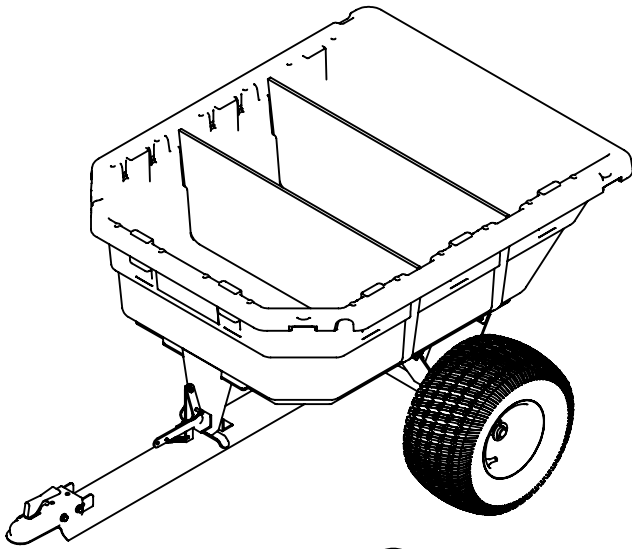
## **How to Empty Dump Cart:**

1. Step down the foot pedal to release the latch mechanism.
2. Lift the body and swivel as desired to guide the material to preferred location.
3. Lift the body entirely and empty material.
4. Lower the body and guide the latch into the drawbar and relatch.

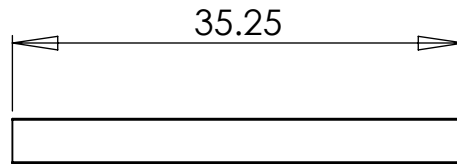
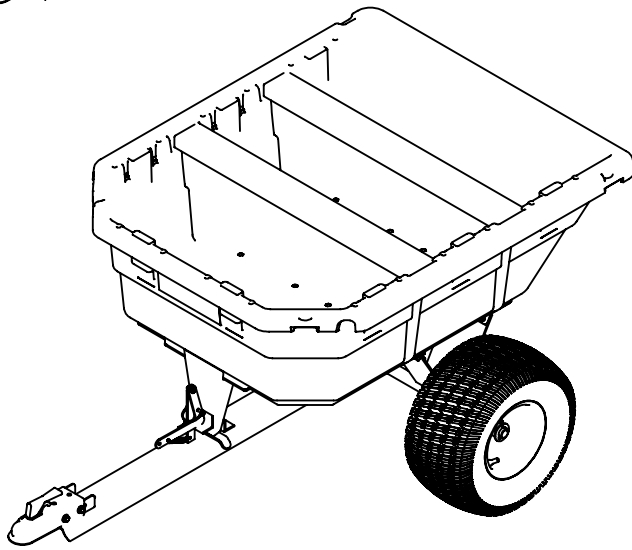
## **Periodic Maintenance:**

- Tighten fasteners as needed before each use
- Check tire pressure before each use
- Grease wheels annually

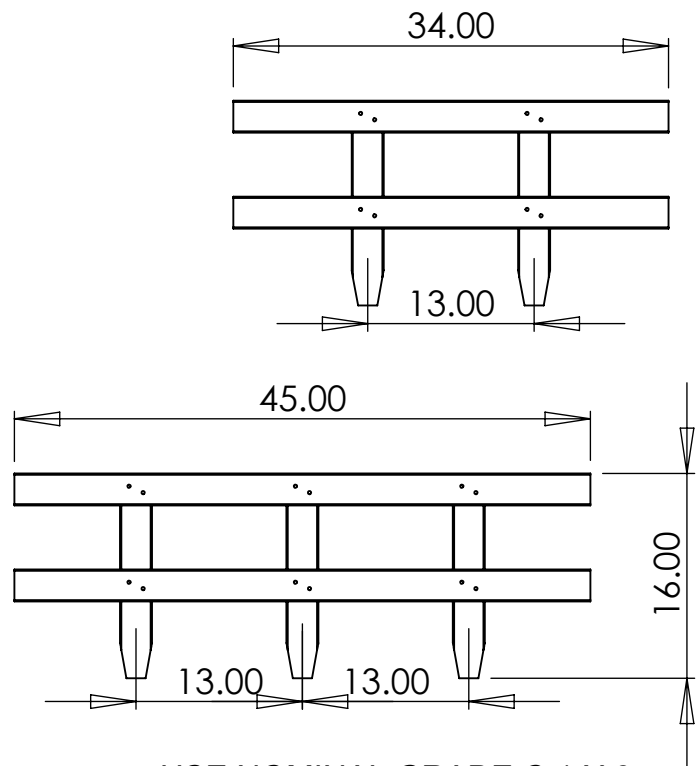
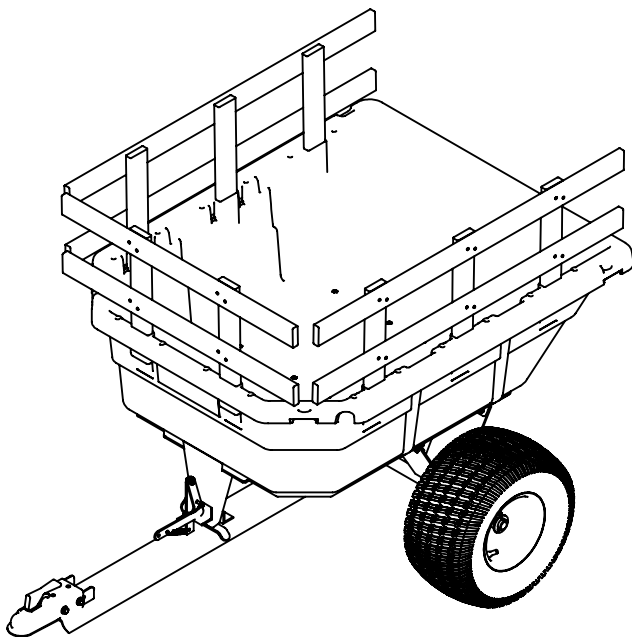
# Do-It-Yourself Accessories



USE 1/2" PLYWOOD



USE STANDARD 2 X 4



USE NOMINAL GRADE C 1 X 3

# **Warranty**

If this product fails due to a defect in material or workmanship within TWO YEARS from the date of purchase, we will at our option repair or replace it free of charge. This warranty excludes tires and wheels, which are expendable and become worn during normal use.

This warranty does not cover:

- Repairs necessary because of operator abuse or negligence.
- Equipment used for commercial or rental purposes.
- Paint that is worn or faded due to normal use or exposure.

To arrange for product repair call 1-800-652-2321, or return this product to place of purchase for replacement.

This warranty gives you specific legal rights, and you may also have other rights which may vary from state to state. This warranty applies only while this product is in use in the United States.

In the space below record the purchase date of your Dump Cart.

Model Number **4048PS-ATV** \_\_\_\_\_

Purchase Date \_\_\_\_\_

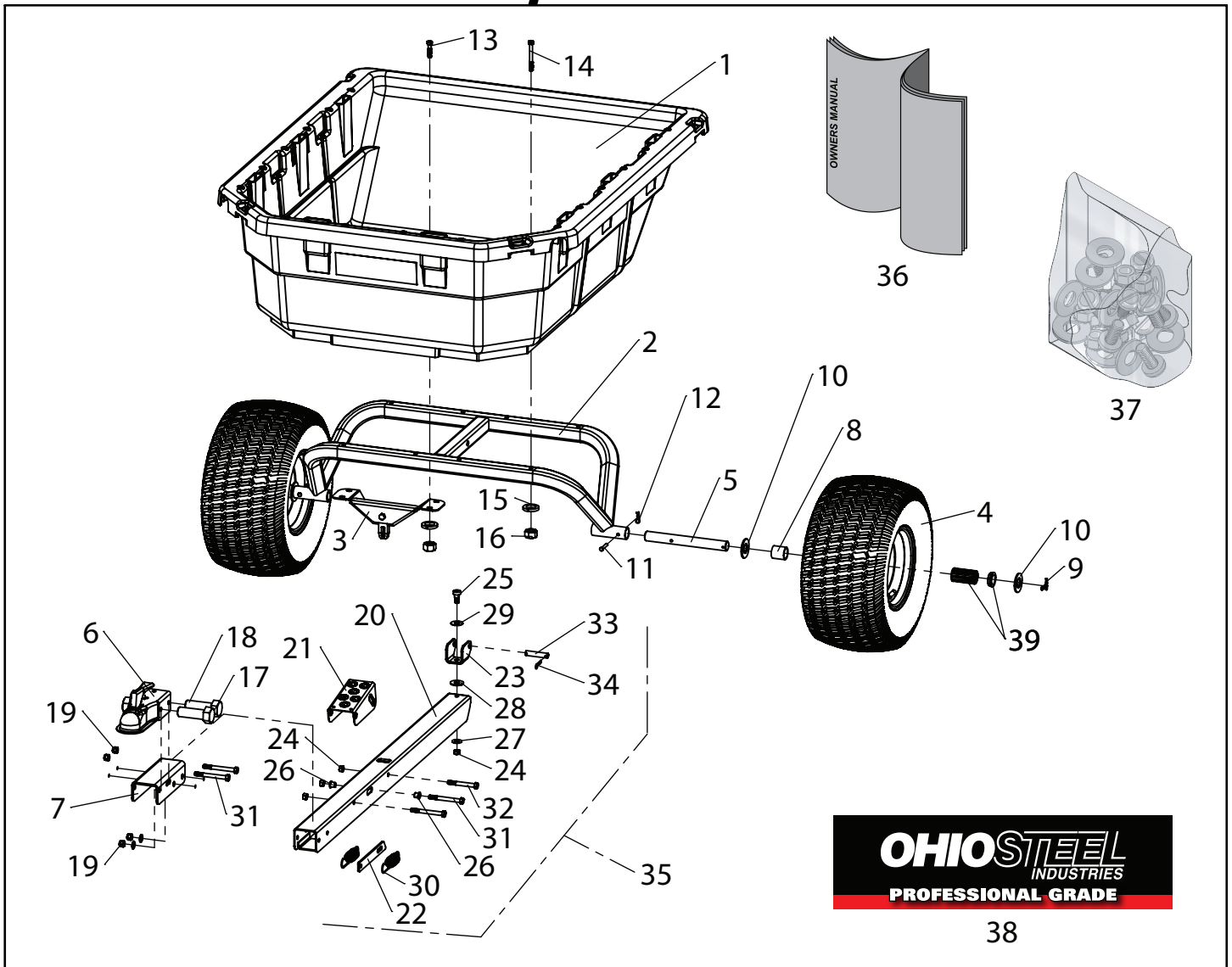
Keep this Owner's Manual and your receipt in a safe place for future reference.

After the two year warranty period all replacement parts may be ordered by calling **1-800-652-2321**.

When ordering replacement parts, always give the following information:

- Product **12.5 cu ft POLY SWIVEL ATV DUMP CART** \_\_\_\_\_
- Model Number **4048PS-ATV** \_\_\_\_\_
- Part Number \_\_\_\_\_
- Part Description \_\_\_\_\_

# Repair Parts



38

ITEM	PART NO	DESCRIPTION	QTY	ITEM	PART NO	DESCRIPTION	QTY
1	311161	POLY BODY	1	21	6000305	FOOT PEDAL	1
2	6000320	UNDERCARRIAGE	1	22	6000309	LATCH	1
3	6000311	FRONT SUPPORT	1	23	6000321	CLEVIS, SWIVEL	1
4	6000727	WHEEL	2	24	300061	HEX NUT, 3/8-16 C-LOCK	4
5	6000523	AXLE, STUB	2	25	6000369	SHOULDER BOLT, 1/2" X 3/8"	1
6	308301	COUPLER, 1-7/8" BALL	1	26	6000324	BEARING	2
7	6000760	BRACKET, COUPLER	1	27	3000720	WASHER, 3/8" USS	1
8	300121	SPACER	2	28	300075	WASHER, 1/2" USS	1
9	300087	COTTER PIN, 3/16" X 1-1/2"	2	29	6000368	WASHER, SPRING	1
10	300076	WASHER, 1" SAE	4	30	6000325	SPRING, LATCH	2
11	3000811	CLEVIS PIN, 1/4" X 1-1/2"	2	31	6000370	HEX BOLT, 3/8-16 X 3-1/2"	4
12	3000812	HAIRPIN COTTER, 1-3/16"	2	32	300055	HEX BOLT, 3/8-16 X 3"	1
13	3000528	HEX BOLT, 5/16-18 X 1-1/2"	4	33	6000371	PIN, 1/2" X 2-13/32"	1
14	6000373	HEX BOLT, 5/16-18 X 3"	8	34	6000372	HAIRPIN COTTER, 1-9/16"	2
15	6000409	LOCKWASHER, 5/16" (BLACK)	12	35	6000323	DRAWBAR ASSY (incl. 20-34)	1
16	6000410	HEX NUT, 5/16-18 (BLACK)	12	36	6000764	OWNERS MANUAL	1
17	3000511	HEX BOLT, 3/8-16 X 1"	4	37	6000761	HARDWARE BAG, 4048PS-ATV	1
18	300077	WASHER, 3/8" SAE	8	38	6000162	DECAL, OSI PRO	1
19	3000618	LOCKNUT, 3/8-16	6				
20	6000322	DRAWBAR	1				

**OHIO** *STEEL*  
INDUSTRIES

Designed And Tested In Columbus, Ohio

Manufactured In The U.S.A. From Domestic  
And Imported Components



**MODEL # 4048PS-ATV**

2575 Ferris Road Columbus, OH 43224  
(800) 652-2321

***www.OHIOSTEEL.com***

**(800) 652-2321**