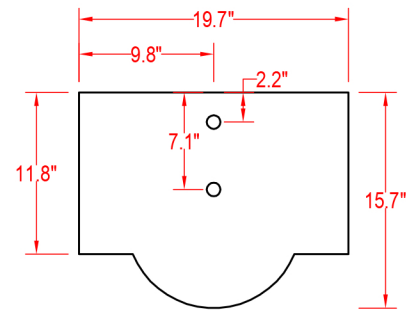
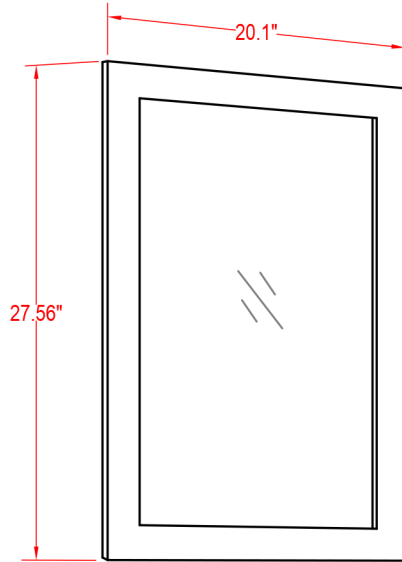


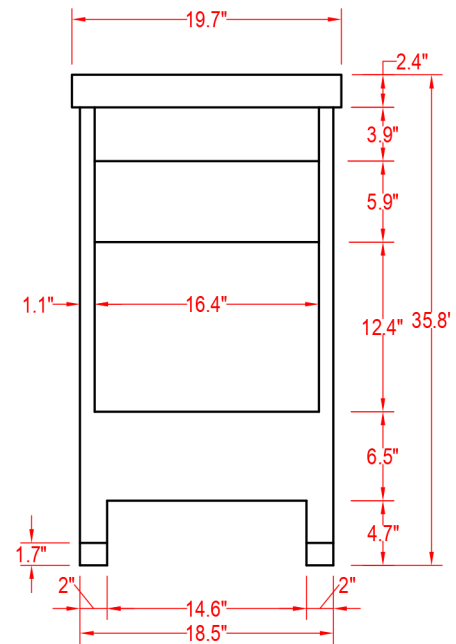
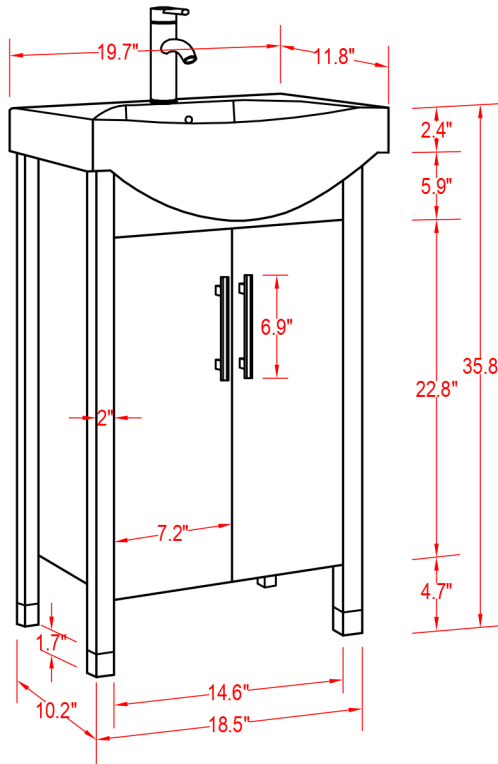


Specification Sheet

Peru 20" Vanity



(PLAN)



(BACK)



ALL DIMENSIONS & SPECIFICATIONS ARE APPROXIMATE & SUBJECT TO CHANGE WITHOUT NOTICE.