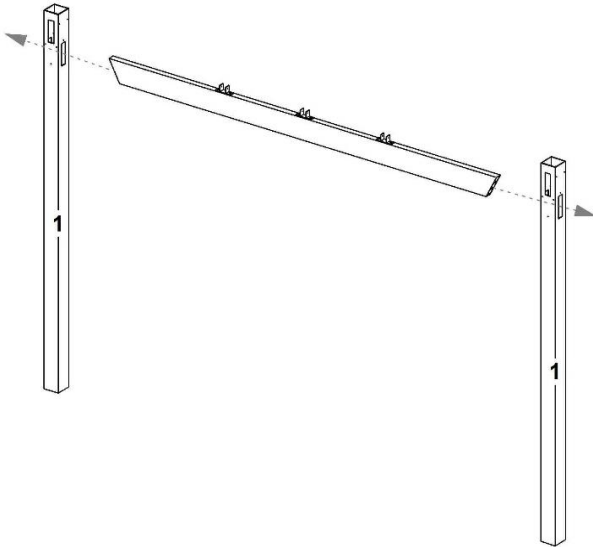


**1**

Lay out one lower support rail(part 2).  
[Lower support has six pilot holes drilled in top edge]

Using 3/4" painted screws, fasten three upper support brackets (part 5) to lower support.

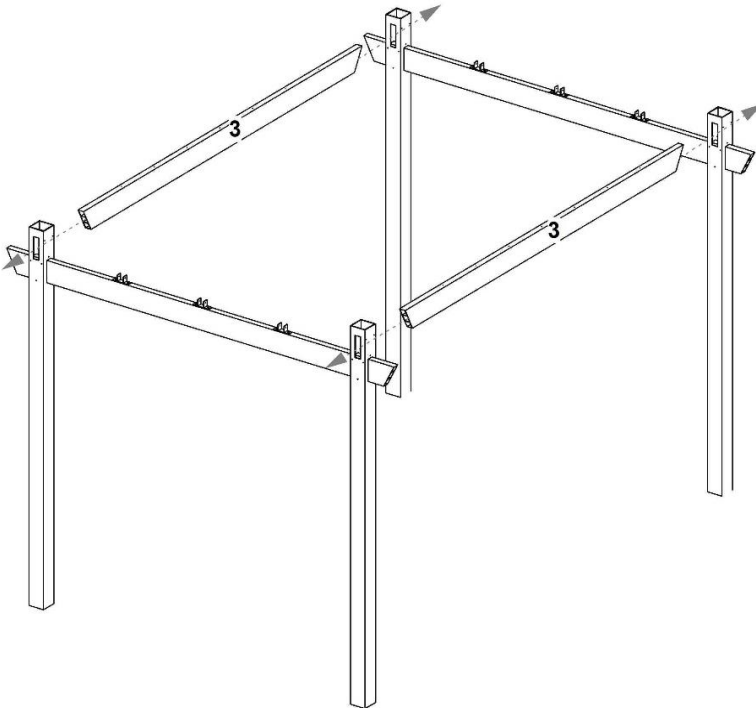


**2**

Insert ends of lower support rail through bottom routed holes of two posts (part 1).

Do not screw together at this time.

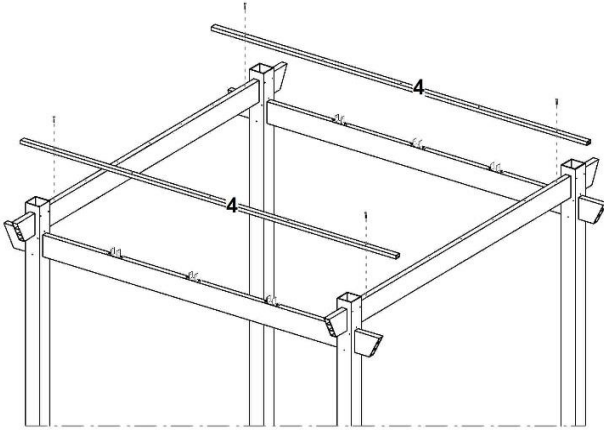
REPEAT steps 1 and 2 using remaining lower support, upper support brackets and posts.



**3**

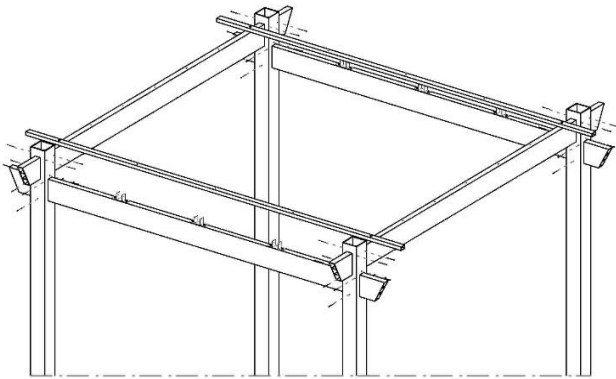
Insert ends of two upper support rails (part 3) through top routed holes of posts.  
[Upper support have seven equally spaced pilot holes drilled in top edge]

Do not screw together at this time.



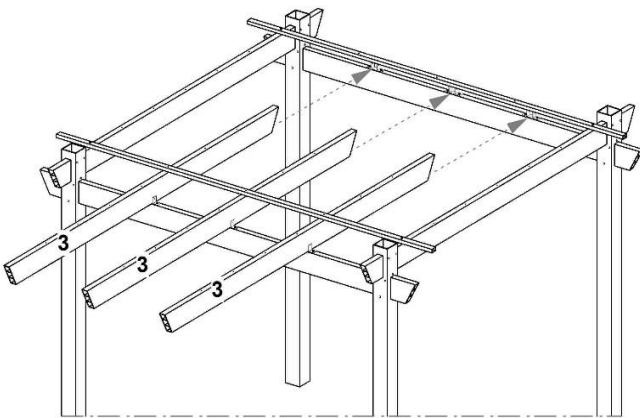
**4**

Lay two top cross rails (part 4) onto upper supports. To set width of pergola, line up outer most holes of top rails with outer most pilot holes of upper supports. Using 1¼" painted screws, fasten top rails to upper supports.



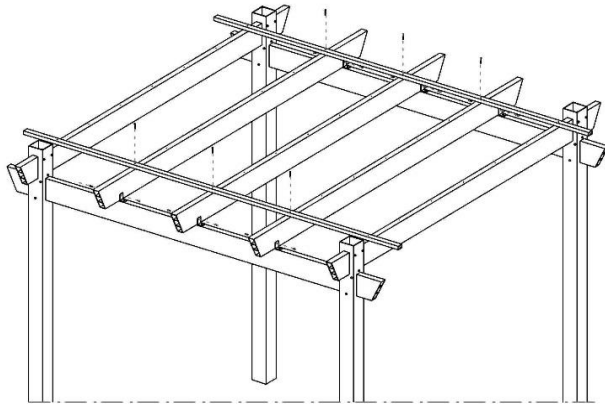
**5**

Using 2" painted screws, screw together all posts and supports.

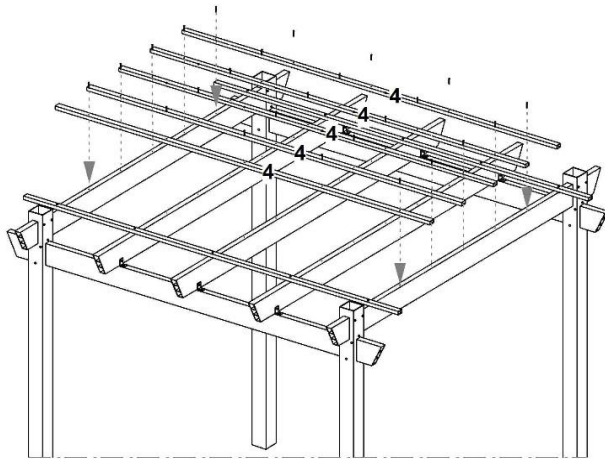


**6**

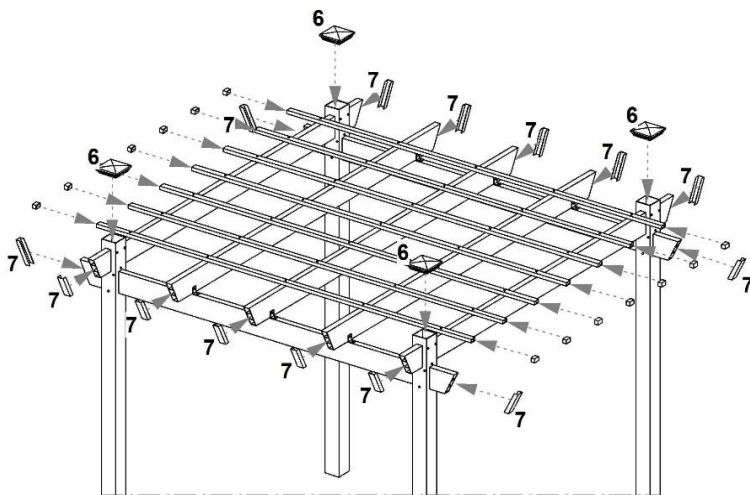
Slide three remaining upper support rails (part 3) through upper support brackets, underneath top rails.



**7** Using 1¼" painted screws, fasten top cross rails to upper supports.  
 [This will center remaining upper supports]



**8** Using 1¼" painted screws, fasten remaining top cross rails (part 4) to upper supports.



**9** Using included Super Glue, glue post caps (part 6) to top of posts. Glue support end caps (part 7) to ends of upper and lower supports. Glue ⅝ x 1½" end caps to ends of top cross rails.

## PERGOLA INSTALLATION

10

### Option 1

Slide one 30" steel ground anchor (part 8) into bottom of each post. Slide ground anchor about 12 inches into post, leaving 18 inches for in-ground. Using 1" painted self-tapping screws fasten post to ground anchor.

Dig holes approximately 18 inches deep. Set pergola in holes and level. Back fill with soil removed from holes. For permanent installation fill with cement.

### Option 2

Pound ground anchors into ground according to dimensions. When pounding into ground, use block of wood to prevent ground anchor from bending.

Slide pergola over ground anchors. Using 1" painted self-tapping screws fasten post to ground anchor.

### Option 3

Dig holes 18" deep according to dimensions. Fill with cement and place ground anchors in wet cement. Be sure that ground anchors are straight and in accordance with dimension in figure 1. Allow cement to dry. NOTE: There is very little room for error with this installation method.

Slide pergola over ground anchors. Using 1" painted self-tapping screws fasten post to ground anchor.

