



Firewood Rack Plus Cover

8 ft. / 2,4 m



90402

Two Way Adjustable Cover

High quality 300D polyester fabric cover. Innovative design adjusts to fit cut wood up to 24"/61 cm. Easily slides up and down the frame with the height of the wood stack. Results - always dry usable wood.

High Grade Steel Frame

Best in class 1 1/2" / 3,8 cm round tube frame delivers solid frame for wood storage.

Premium Powder Coat Finish

Provides 4 season protection against chipping, peeling, rust and corrosion.



Open Air Design

Maximum airflow is achieved through half cover design. Provides excellent ventilation to accelerate seasoning. Keeps top levels dry.

Raised Storage

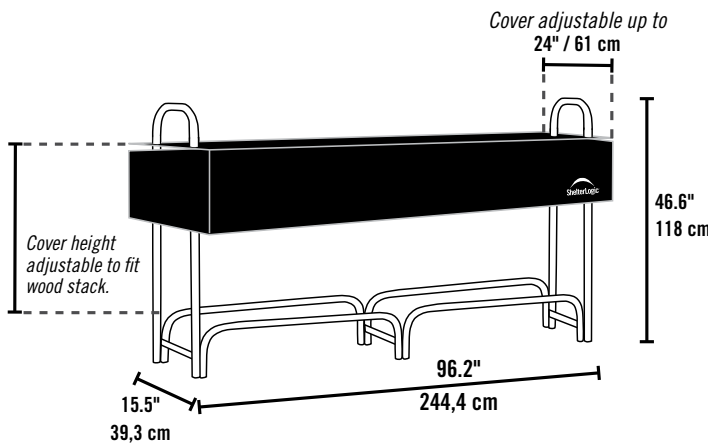
Keeps wood off the ground, preventing insect infestation, mold growth and rotting.

Reinforced Spreader Bar

Adds ultimate strength and stability to rack frame.



Easy assembly with just a 1/2" / 1.3 cm wrench – goes together in minutes. Open air design keeps wood off ground preventing insect infestation, mold growth and rotting. Excellent ventilation makes a great year round seasoning rack.



Package Includes

- (1) Round 1 1/2 in. / 3,8 cm Tube Frame
- 2 Way Adjustable Polyester Cover
- Hardware Kit
- Easy step-by-step instructions

Product Specifications

| | |
|------------------------|-----------------------|
| 96.2 x 15.5 x 46.6 in. | 244,3 x 39,3 x 118 cm |
|------------------------|-----------------------|

Packaging Details

| | |
|----------------|---|
| Container Qty. | 1080 |
| Total Weight | 37 lbs./ 16,8 kg |
| Box Dimensions | 51.8 x 17.1 x 3.4 in 131,5 x 43,5 x 8,5 cm |

