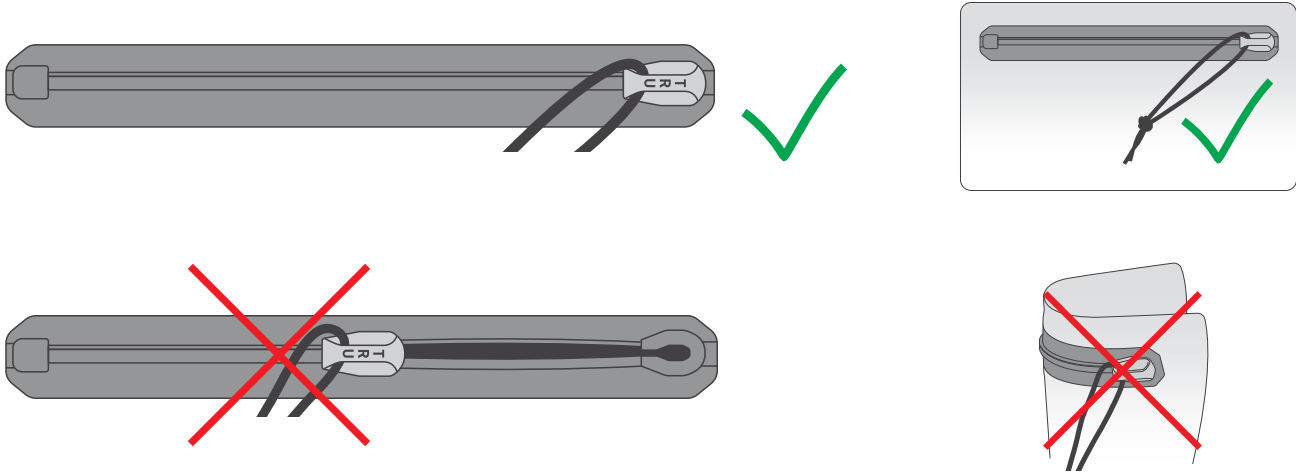
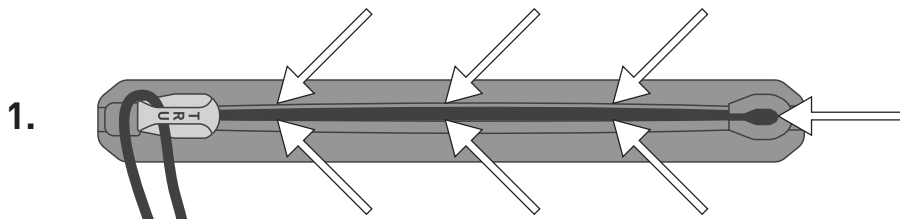


STORAGE + MAINTENANCE INSTRUCTIONS

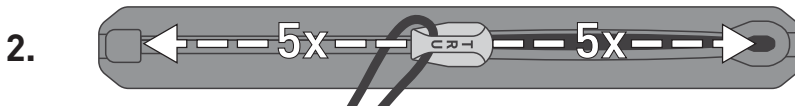
STORAGE: Rinse. Dry. Close zipper. Store flat.



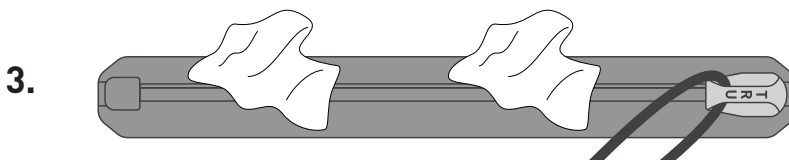
MAINTENANCE



Lubricate zipper after cleaning, before prolonged storage, or to improve zipper performance.



Distribute liquid zipper lubricant along all zipper surfaces, then slide zipper multiple times.



Wipe away any excess with a clean dry cloth