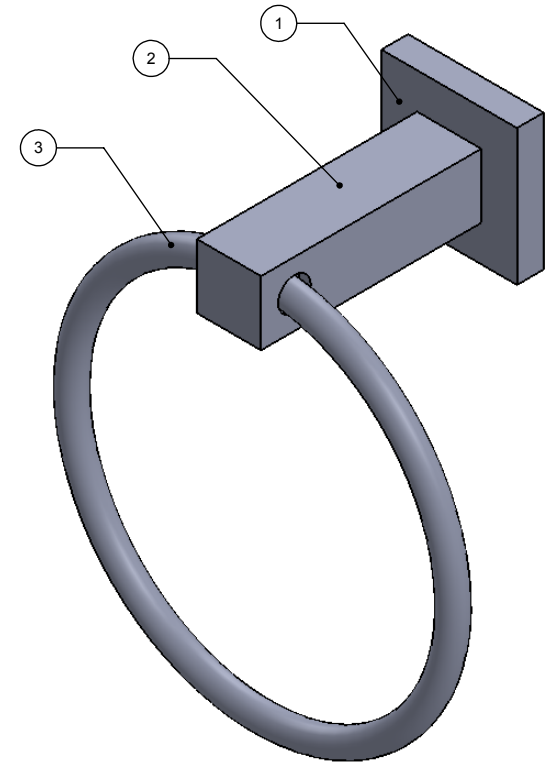
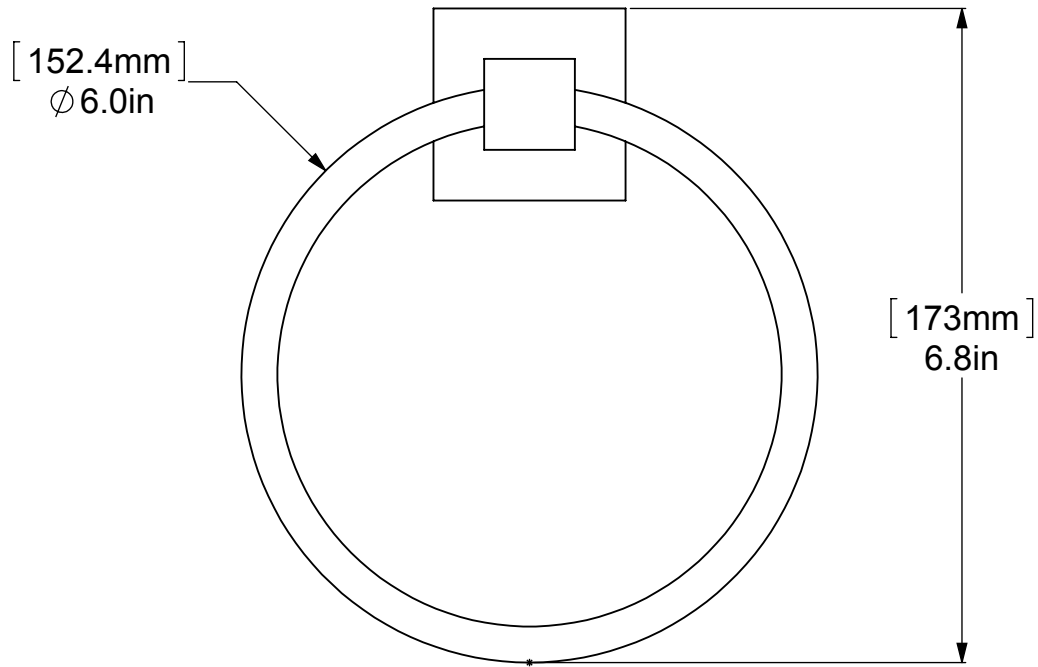


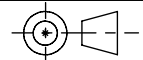
ITEM NO.	P/N	Description	QTY.
1	BPSQ	BACKPLATE	1
2	TRSQ-3.25	Neck	1
3	TRMT-60	RING	1



UNLESS OTHERWISE STATED

.X	$\pm .3\text{mm}$
.XX	$\pm .15\text{mm}$
.XXX	$\pm .008\text{mm}$

COPYRIGHT © Allied Brass 2016



THIRD ANGLE PROJECTION

DRAWN	4/28/2016	I.M
CHECKED	4/28/2016	P.D
APPROVED	4/28/2016	R.A

MATERIAL:	BRASS
DESCRIPTION:	TOWEL RING

FINISH	TBD
QUANTITY	TBD
DRAWING No.	REV
MT-16	0
SCALE	1:2
SHEET: 01	A4