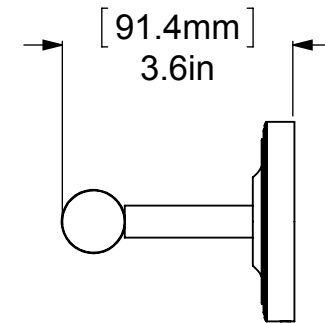
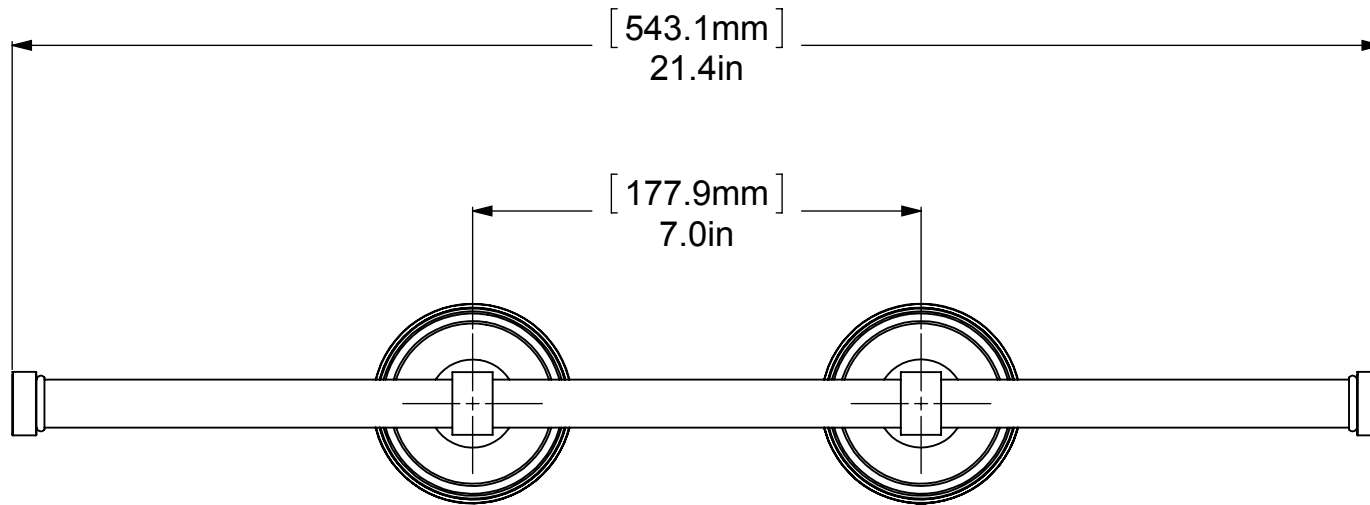
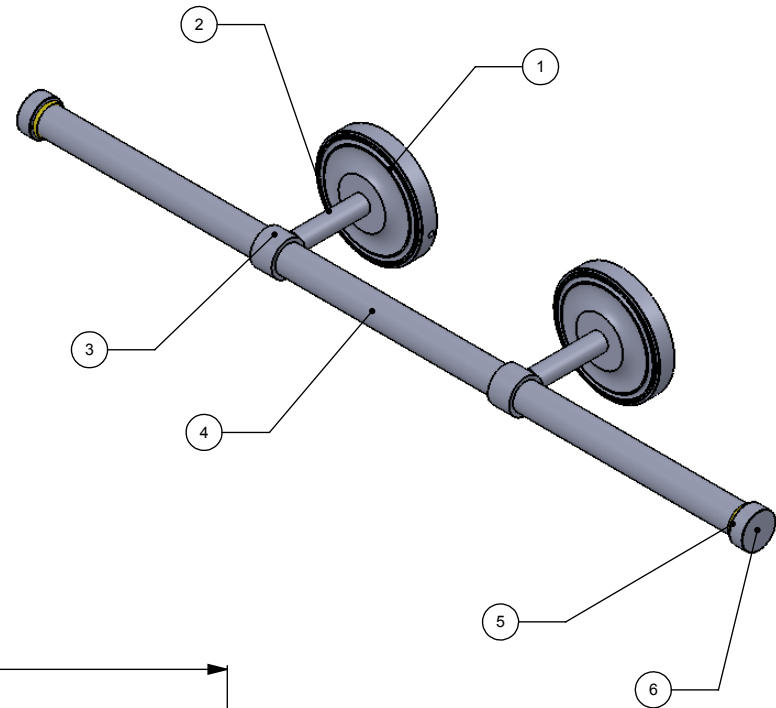


| ITEM NO. | P/N | Description | QTY. |
|----------|----------|-------------|------|
| 1 | BPPR | BACKPLATE | 2 |
| 2 | TU12-2 | Neck | 2 |
| 3 | HB1T-1 | HUB | 2 |
| 4 | TU34-6.5 | MID TUBE | 3 |
| 5 | CRRD-34 | CHECK RING | 2 |
| 6 | CARD-1 | END CAP | 2 |




UNLESS OTHERWISE STATED

| | |
|------|---------------------|
| .X | $\pm .3\text{mm}$ |
| .XX | $\pm .15\text{mm}$ |
| .XXX | $\pm .008\text{mm}$ |

COPYRIGHT © Allied Brass 2016



THIRD ANGLE PROJECTION

| | | | | | | |
|----------|-----------|-----|-----------------|---|-------------|--------------|
| DRAWN | 6/14/2016 | I.M | MATERIAL: | BRASS | FINISH | TBD |
| CHECKED | 6/14/2016 | P.D | DESCRIPTION: |  | QUANTITY | TBD |
| APPROVED | 6/14/2016 | R.A | GUEST TOWEL BAR | | DRAWING No. | REV |
| | | | | | PR-GT-3 | 0 |
| | | | | SCALE | 1:3 | SHEET: 01 A4 |