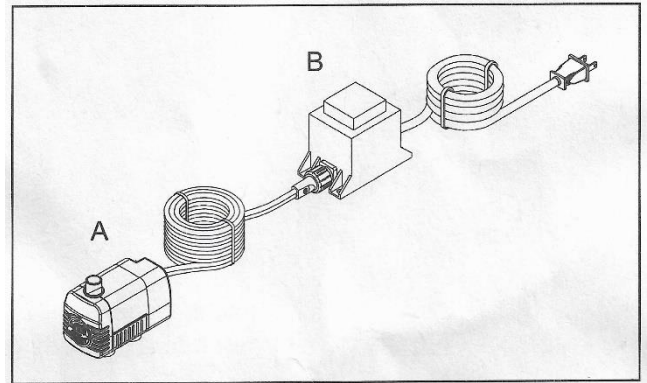


Low Voltage Auto Shut-Off Pump

MODEL #OK50LVAS&OK130LVAS&OK170LVAS&OK500LVAS

PACKAGE CONTENTS

Part	Description	Quantity
A	Pump	1
B	Transformer	1



⚠️ WARNINGS AND CAUTIONS

WARNING

- To reduce risk of electric shock, connect only to a properly grounded outlet.
- To reduce risk of electric shock, inspect cord for damage before installation and/ or maintenance. Replace entire pump/cord assembly if damage is found.
- Do not exceed voltage shown in the pump.
- To reduce risk of electric shock, never submerge transformer under water.

CAUTION

- Use proper power source as indicated on the pump label. Keep the cord away from high temperature or heat source.
- Keep any fountain that is used with the pump out of the reach of children.
- If fountain is in a freeze-area, remove water from base and statuette, it is also recommended to remove and store the statuette and pump indoors during freezing conditions.
- Always disconnect from electrical outlet before handling the pump.
- Do not let the pump run dry.
- Do not lift the pump by its power cord.
- Do not pump heated liquids.
- Operate in freshwater only.
- Pump must be completely submerged for proper operation and cooling.

PREPARATION

Before beginning operation of product, make sure all parts are present. Compare parts with package contents list and diagram above. If any part is missing or damaged, do not attempt to assemble, install or operate the product. Contact customer service for replacement parts.

- Estimated Assembly Time: 15 minutes
- No tools required for assembly.

OPERATION INSTRUCTIONS

1. Place the pump in the desired fountain and connect (from fountain) tubing to the outlet of the pump. Fig. 1

NOTE: The pump must be completely submerged for proper operation and cooling. The pump has an auto shut off feature that detects when the water level is low.

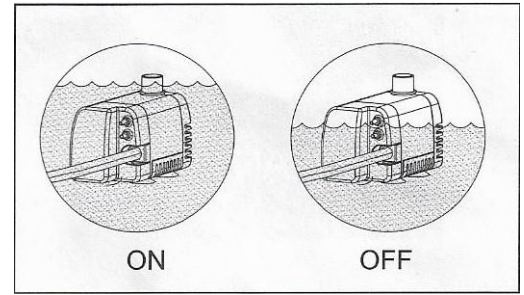


Fig.1

2. Connect the pump to the transformer. Screw on the locking nut. Fig. 2

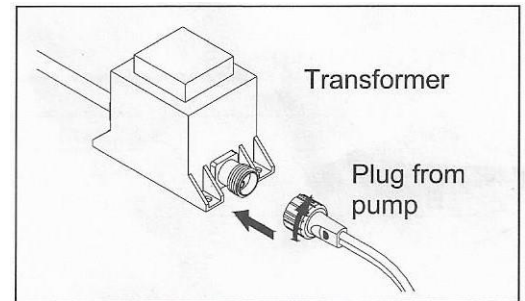


Fig.2

3. Plug the transformer into a properly grounded electrical outlet. Fig. 3

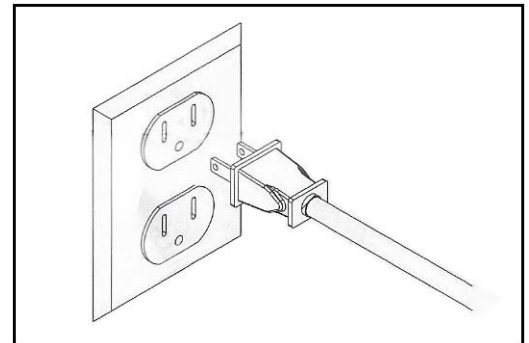


Fig.3

CARE AND MAINTENANCE

- Regularly clean the two electrodes to keep the pump in good working condition (see Fig. 4).
- Clean the product periodically to prevent mineral deposits and contamination. Be sure to use biodegradable soap.
- Disconnect the power and empty the basin if fountain will not be used for an extended time.
- If installed outdoors and in freeze-area of the country, ensure all water is removed and the unit is completely dry.
- Product is Not to be Operated Below 41°F (5°C), Freeze Damage May occur.

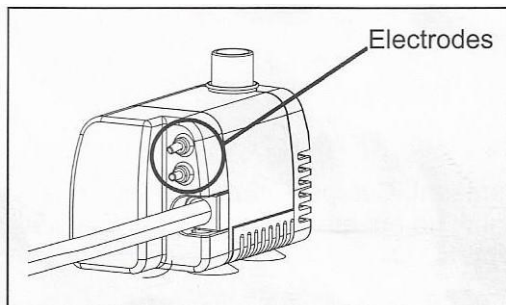


Fig.4

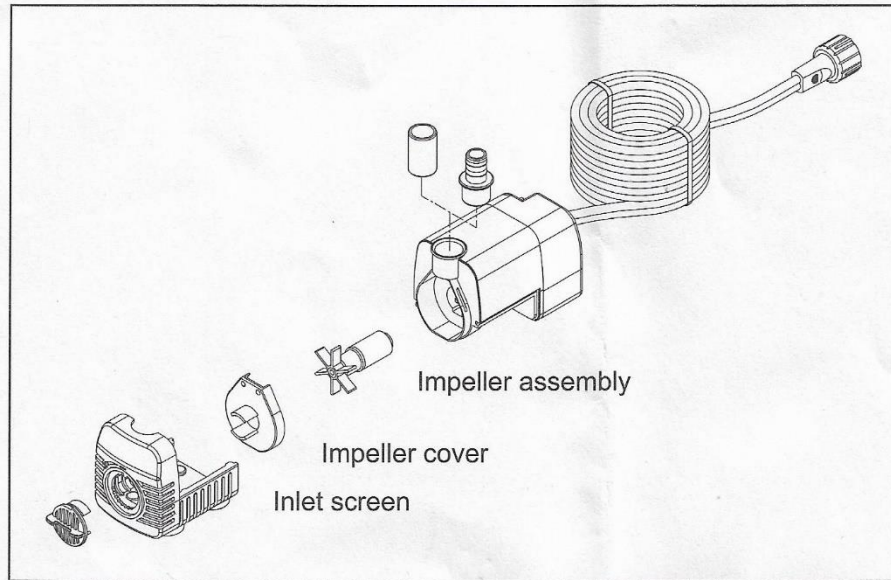


Fig.5

TROUBLESHOOTING

If the pump fails to operate:

- Check to make sure the power cord is plugged in and the pump is getting power.
- Check the pump outlet and any tubing, fountains, spitters, etc. for kinks or obstructions.
- Remove the inlet screen and/or pump cover, impeller housing to expose the impeller. Turn the impeller to ensure that it is not broken or jammed. See Fig. 5.

If the performance of the pump is not satisfactory or the pump does not flow evenly:

- Check to make sure the pump is completely submerged in water.
- Check to make sure the impeller and the housing are clean.
- Adjust flow control.

REPLACEMENT PARTS LIST

Part	Description
A	Transformer
B	Pump
C	Front cover
D	Flow control knob
E	Impeller cover
F	Impeller assembly
G	1/2 adapter
H	3/8 adapter

