



Manufactured from Veritek®
(see page 2 for detailed information)

WARRANTY
Limited 1-year – Residential
Limited 1-year – Commercial

FEATURES

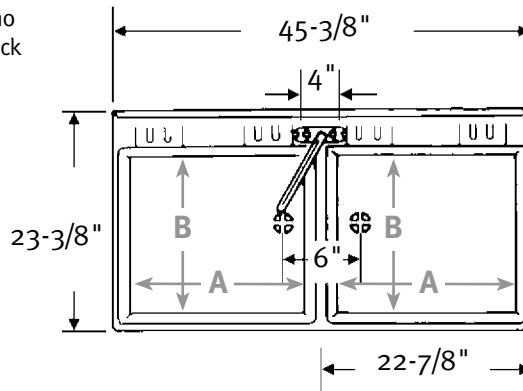
- Made of sturdy Veritek with no surface coating to chip or crack
- Will not mold or mildew

MF-2F Floor Model

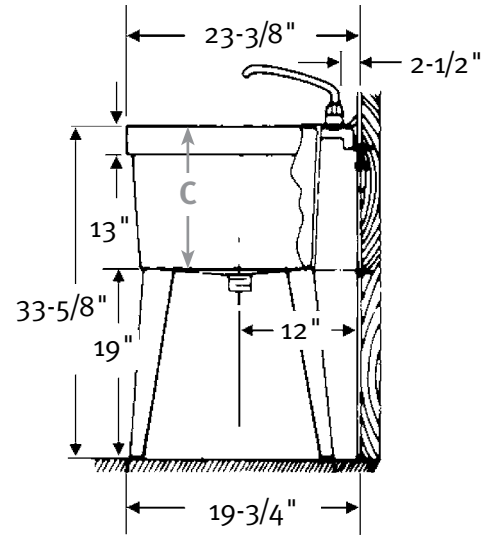
- 4 angular steel legs
- Pre-drilled 4" centers
- Installed drain
- 44 gallon capacity (166L)
- Molded-in wash board

MF-2W Wall Mounted Model

- Wall bracket assembly
- Pre-drilled 4" centers
- Installed drain
- 44 gallon capacity (166L)
- Molded-in wash board



MF-2F Floor Model
23-3/8" D x 45-3/8" W
(594 mm x 1153 mm)
A 22", B 19-1/8", C 13-5/8"



SPECIFICATIONS

MF-2F & MF-2W Veritek® Double Laundry Tubs

Model	Part	Dimensions	Ship Wt. Lb.	Ship UPS	Carton Dims. In.	Cu. Ft.
MF-2F Floor Model	MF20000FM	23-3/8" D x 45-3/8" W (594 mm x 1153 mm)	49	UPS	47 x 24 x 18	11.75
MF-2W Wall Model	MF20000WM	23-3/8" D x 45-3/8" W (594 mm x 1153 mm)	49	UPS	47 x 24 x 18	11.75

MF-2F Includes: One double tub, factory installed drain, one set of angular steel legs (4) with hardware, twin waste and complete installation instructions.

MF-2W Includes: One double tub, factory installed drain, wall bracket assembly, twin waste and complete installation instructions.

Packaging: Packed in individual cartons only. Not available in 6-pack.

STANDARDS AND RATINGS

- American National Standard Institute—ANSI Z124.6
- International Association of Plumbing and Mechanical Officials (IAPMO)—listed cUPC listed—Certified to CSA Standard B45 by IAPMO
- American Society for Testing and Materials
- National Electrical Manufacturers Association

SUPPORT DOCUMENTS

Installation instructions available on line at www.swanstone.com

MADE IN USA.

COLORS

(See inside back cover for color sample.)

- White (010)

MAINTENANCE AND CLEANING INFORMATION

Everyday cleaning with liquid cleaners such as Dow or Lysol foaming bubbles, Top Job, Mr. Clean or similar type products with a sponge or Mr. Clean Magic Eraser. To remove hard water stains or mineral build-up, scale removers such as Lime Away, Rust-out or Whink are recommended. **Do not** use abrasive cleaners or pads such as Ajax, Comet, SOS, Brillo or other similar metal scouring pads.