



**Count on it.**

**Operator's Manual**






**17 in. String Trimmer - Curved Shaft**

Model No. 51958—314000001 & Up

**18 in. String Trimmer - Straight Shaft**

Model No. 51978—314000001 & Up

**NOTICE**



Do not use E15, E20, or E85 fuel (or fuel containing greater than 10% ethanol) in this product. It is a violation of federal law and will damage the unit and void your warranty.

**STOP**

If you have questions concerning your trimmer, please call us at 866-574-9242 (US) or 866-574-9243 (Canada).

**⚠ WARNING:**

To reduce the risk of injury, the user must read and understand the operator's manual. Save this manual.



# READ THIS INFORMATION

Before you use your new trimmer, read the following helpful hints to get you started.

## Fueling



### **WARNING:**

Gasoline and its vapors are highly flammable and explosive. To prevent serious personal injury and property damage, handle it with care. Keep away from ignition sources and open flames, handle outdoors only, do not smoke and wipe up spills immediately.

1. Obtain a clean container that is approved for use with gasoline.
2. Mix all of the 2-cycle oil provided with 1 US gallon of 87-octane, unleaded gasoline (50:1).
3. Fill the trimmer's gas tank carefully.

## Cold Starting vs. Warm Starting

When you restart the trimmer and you are not sure whether the engine is still warm, set the choke lever to **RUN** and pull the starter cord. If the engine does not start within 5 pulls, refer to "To Start a Cold Engine" later in this manual.

## Flooded Engine

Will the engine start? If not, it may be flooded. Relax, this is easy to correct. Set the choke lever to **RUN**. Squeeze the trigger and pull the starter cord quickly for 10 to 12 pulls.

If the engine does not start, refer to "Troubleshooting" later in this manual or call toll-free at 866-574-9242 (US) or 866-574-9243 (Canada).



**For questions concerning your trimmers, call us toll free at 866-574-9242 (US) or 866-574-9243 (Canada).**

## California Proposition 65



**WARNING:** This product, its exhaust, and other substances that may become airborne from its use may contain chemicals, including lead, known to the State of California to cause cancer, birth defects, or other reproductive harm. *Wash hands after handling.*

# Table of Contents

---

Introduction.....	4
General Safety Rules.....	5-6
Specific Safety Rules .....	6
Symbols.....	7
Product Labels .....	8
Features .....	9-10
Product Specifications .....	9
Know Your Product .....	10
Assembly.....	11-13
Unpacking.....	11
Packing List .....	11
Connecting the Attachment to the Upper Shaft .....	12
Removing the Attachment from the Upper Shaft .....	12
Attaching the Front Handle .....	12
Attaching the Grass Deflector.....	13
Operation.....	14-18
Applications.....	14
Fueling and Refueling the Trimmer.....	14
Oxygenated Fuels .....	14
Starting the Product .....	15
Stopping the Product.....	15
Operating the Trimmer .....	16
To Advance the Cutting Line.....	17
Cutting Tips .....	17
Installing Line in REEL-EASY String Head.....	18
Maintenance.....	18-23
General Maintenance.....	19
Cleaning the Product.....	19
Servicing the Product.....	19
Checking the Fuel Cap, Tank, and Lines .....	19
Cleaning the Air Filter .....	19
Replacing the Spark Arrestor.....	20
Replacing the Spark Plug.....	20
Idle Speed Adjustment.....	21
Storing the Product .....	21
Transporting the Product .....	21
Installing REEL-EASY String Head .....	22
High Altitude Engine Operation.....	23
Maintenance Schedule .....	23
Troubleshooting .....	24
Warranty.....	25

# Introduction

---

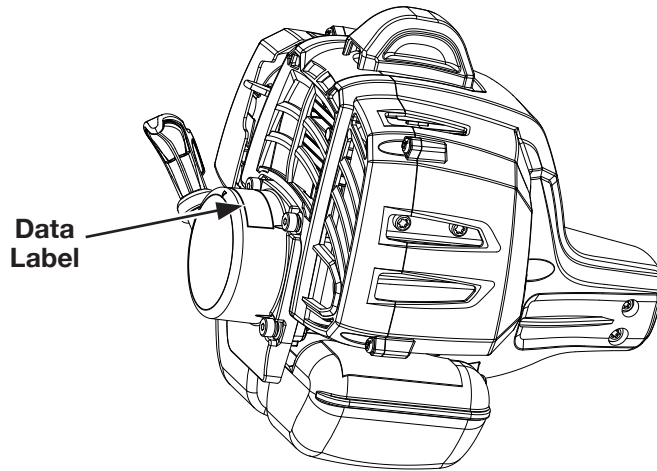
Thank you for purchasing a Toro product.

We would like for you to be completely satisfied with your new product, so feel free to contact an authorized service dealer for help with service, genuine Toro parts, or other information you may require.

Whenever you contact an authorized service dealer, always know the model and serial numbers of the product. These numbers will help the service representative provide exact information about your specific product. You will find the model and serial number decal located on the motor housing.

For your convenience, write the product model and serial numbers in the space below.

<b>Model No.</b>	
<b>Serial No.</b>	



Read this manual carefully to learn how to operate and maintain your product correctly. Reading this manual will help you and others avoid personal injury and damage to the product. Although Toro designs, produces, and markets safe, state-of-the-art products, you are responsible for using the product properly and safely. You are also responsible for training persons you allow to use the product about safe operation.

The Toro warning system in this manual identifies potential hazards and has special safety messages that help you and others avoid personal injury, even death. DANGER, WARNING, and CAUTION are signal words that identify the level of hazard. However, regardless of the hazard, be extremely careful. Two other words, "Important" and "Note," highlight information.



# General Safety Rules



## WARNING:

Read and understand all instructions. Failure to follow all instructions may result in electric shock, fire and/or serious personal injury.

## Read All Instructions

- For safe operation, read and understand all instructions before using this product. Follow all safety instructions. Failure to follow all safety instructions listed below, can result in serious personal injury.
  - Do not allow children or untrained individuals to use this unit.
  - Do not start or operate the engine in a confined space, building, near open windows, or in other unventilated space where dangerous carbon monoxide fumes can collect. Carbon monoxide, a colorless, odorless, and extremely dangerous gas, can cause unconsciousness or death.
  - Clear the work area before each use. Remove all objects such as rocks, broken glass, nails, wire, or loose string which can be thrown or become entangled in the cutting line or blade.
  - Always wear eye protection with side shields marked to comply with ANSI Z87.1 along with hearing protection when operating this equipment.
  - Wear heavy, long pants, long sleeves, boots, and gloves. Do not wear loose fitting clothing, short pants, sandals, or go barefoot. Do not wear jewelry of any kind.
  - Heavy protective clothing may increase operator fatigue, which could lead to heat stroke. During weather that is hot and humid, heavy work should be scheduled for early morning or late afternoon hours when temperatures are cooler.
  - Never operate this unit on the operator's left side.
  - Secure long hair above shoulder level to prevent entanglement in moving parts.
  - Keep all bystanders, children, and pets at least 50 ft. (15 m) away. Bystanders should be encouraged to wear eye protection. If you are approached, stop the engine and cutting attachment. If you are using a brush cutter attachment, there is the added risk of injury to bystanders from being struck with the moving blade in the event of a blade thrust or other unexpected reaction of the saw.
  - Do not operate this unit when you are tired, ill, upset, or under the influence of alcohol, drugs, or medication.
  - Do not operate in poor lighting.
  - Keep firm footing and balance. Do not overreach. Overreaching can result in loss of balance or exposure to hot surfaces.
  - Do not use on a ladder or unstable support. Stable footing on a solid surface enables better control of the unit in unexpected situations.
  - Keep all parts of your body away from any moving part.
  - To avoid hot surfaces, never operate the unit with the bottom of the engine above waist level.
  - Do not touch area around the muffler or cylinder of the unit, these parts get hot from operation. Contact with hot surfaces could result in possible serious personal injury.
  - Always stop the engine and remove the spark plug wire before making any adjustments or repairs except for carburetor adjustments.
  - Inspect the unit before each use for loose fasteners, fuel leaks, etc. Replace any damaged parts before use.
  - The cutting attachment should never rotate at idle during normal use. The cutting attachment may rotate at idle during carburetor adjustments.
  - It has been reported that vibrations from hand-held tools may contribute to a condition called Raynaud's Syndrome in certain individuals. Symptoms may include tingling, numbness, and blanching of the fingers, usually apparent upon exposure to cold. Hereditary factors, exposure to cold and dampness, diet, smoking, and work practices are all thought to contribute to the development of these symptoms. It is presently unknown what, if any, vibrations or extent of exposure may contribute to the condition. There are measures that can be taken by the operator to possibly reduce the effects of vibration:
    - a) Keep your body warm in cold weather. When operating the unit wear gloves to keep hands and wrists warm. It is reported that cold weather is a major factor contributing to Raynaud's Syndrome.
    - b) After each period of operation, exercise to increase blood circulation.
    - c) Take frequent work breaks. Limit the amount of exposure per day.
    - d) Keep the tool well maintained, fasteners tightened, and worn parts replaced.
- If you experience any of the symptoms of this condition, immediately discontinue use and see your physician about these symptoms.
- Mix and store fuel in a container approved for gasoline.
  - Mix fuel outdoors where there are no sparks or flames. Wipe up any fuel spillage. Move 30 ft. (9 m) away from refueling site before starting engine. Slowly remove the fuel cap after stopping engine. Do not smoke when refueling.
  - Stop the engine and allow to cool before refueling or storing the unit.

- Allow the engine to cool; empty the fuel tank into a container approved for fuel and secure the unit from moving before transporting in a vehicle.
- Wear your protective equipment and observe all safety instructions. For units equipped with a clutch, be sure the cutting attachment stops turning when the engine idles. When the unit is turned off make sure the cutting attachment has stopped before the unit is set down.

## Specific Safety Rules




---

### Specific Safety Rules For Trimmer Use








- Inspect before use. Replace damaged parts. Make sure fasteners are in place and secure. Check for fuel leaks.
- Replace string head if cracked, chipped, or damaged in any way. Be sure the string head or blade is properly installed and securely fastened. Failure to do so can cause serious injury.
- Make sure all guards, straps, deflectors, and handles are properly and securely attached.
- Never use blades, flailing devices, wire, or rope. Use only the manufacturer's replacement line in the cutting head. Do not use any other cutting attachment. To install any other brand of cutting head to this string trimmer can result in serious personal injury.
- Never operate unit without the grass deflector in place and in good condition.
- Maintain a firm grip on both handles while trimming. Keep string head below waist level. Never cut with the string head located over 30 in. or more above the ground.
- This product is intended for infrequent use by homeowners and other occasional users for such general applications as trimming light and heavy vegetation, etc. It is not intended for prolonged use. Prolonged periods of operation can cause circulatory problems in the user's hands due to vibration. For such use, it may be appropriate to use a product having an anti-vibration feature.

# Symbols

The following signal words and meanings are intended to explain the levels of risk associated with this product.

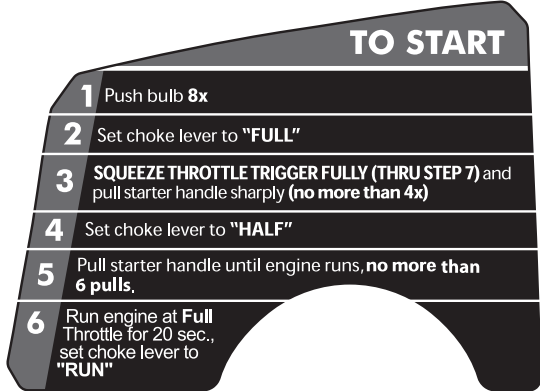




Symbol	Signal	Meaning
	<b>DANGER:</b>	Indicates an imminently hazardous situation, which, if not avoided, will result in death or serious injury.
	<b>WARNING:</b>	Indicates a potentially hazardous situation, which, if not avoided, could result in death or serious injury.
	<b>CAUTION:</b>	Indicates a potentially hazardous situation, which, if not avoided, may result in minor or moderate injury.
	<b>NOTICE:</b>	(Without Safety Alert Symbol) Indicates important information not related to an injury hazard, such as a situation that may result in property damage.

Some of the following symbols may be used on this product. Please study them and learn their meaning for safe operation of this product.

Symbol	Name	Explanation
	Safety Alert	Indicates a potential personal injury hazard.
	Read Operator's Manual	To reduce the risk of injury, user must read and understand operator's manual before using this product.
	Eye and Hearing Protection	Always wear eye protection with side shields marked to comply with ANSI Z87.1 along with hearing protection when operating this equipment.
	Keep Bystanders Away	Keep all bystanders at least 50 ft. (15 m) away.
	Ricochet	Thrown objects can ricochet and result in personal injury or property damage.
	No Blade	Do not install or use any type of blade on a product displaying this symbol.
	Gasoline and Oil	Use unleaded gasoline intended for motor vehicle use with an octane rating of 87 [(R + M)/2] or higher. This product is powered by a 2-cycle engine and requires pre-mixing gasoline and 2-cycle oil.

# Product Labels

Product labels and instructions are easily visible to the operator and are located near any area of potential danger. Replace damaged or lost labels.

<p>Part No. 940686148</p> 	<p>Part No. 940864003</p>  <p>ON STOP</p>
<p>Part No. 940657034</p>  <p>Handle Position ↓</p>	<p>Part No. 940657032</p> 
<p>Part No. 940865001</p> 	

# Features

---

## Product Specifications

<b>Name</b>	<b>Specification</b>
Engine	25.4cc Full Crank
Cutting Width	
Model No. 51958	17 in.
Model No. 51978	18 in.
Line Size	.095 in.
Weight	
Model No. 51958	11.6 lbs.
Model No. 51978	12.5 lbs.

# Know Your Product

See Figure 1.

The safe use of this product requires an understanding of the information on the tool and in this operator's manual as well as a knowledge of the project you are attempting. Before use of this product, familiarize yourself with all operating features and safety rules, in both this manual and the operator's manuals for all attachments that you are using with this power head.

## Engine

The engine is powerful and easy to start. It is effectively counterbalanced, which allows for less vibration and more durability.

## Grass Deflector

The grass deflector helps protect you from flying debris.

## Grass Shield

The grass shield prevents grass from wrapping around the trimmer shaft.

## Ergonomic Design

The design of the product provides for easy handling. It is designed for comfort and ease of grasp when operating in different positions and at different angles.

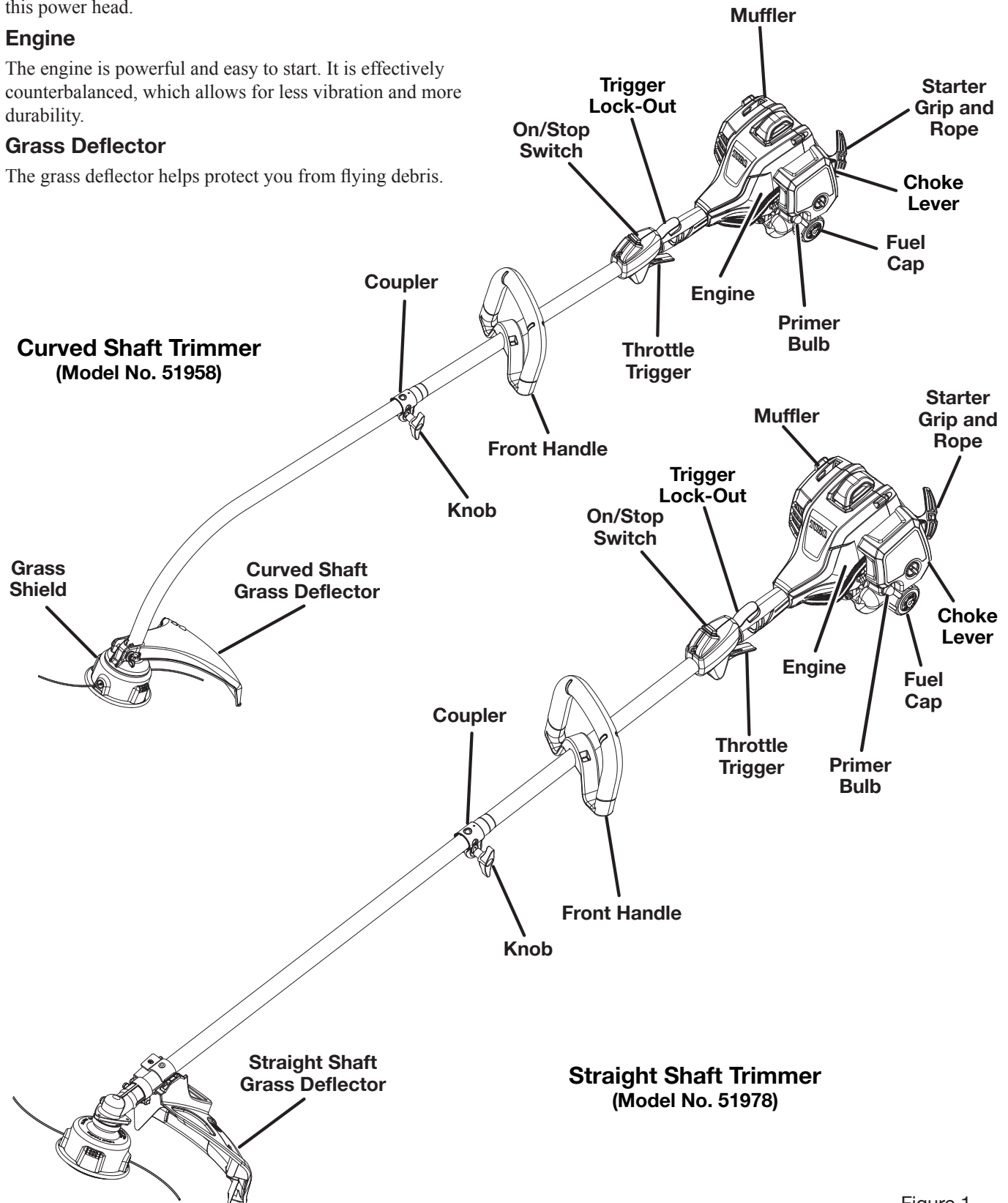


Figure 1

# Assembly

---

## Unpacking

This product requires assembly.

- Carefully remove the product and any accessories from the box. Make sure that all items listed in the packing list are included.



### **WARNING:**

Do not use this product if any parts on the packing list are already assembled to your product when you unpack it. Parts on this list are not assembled to the product by the manufacturer and require customer installation. Use of a product that may have been improperly assembled could result in serious personal injury.

- Inspect the product carefully to make sure no breakage or damage occurred during shipping.
- Do not discard the packing material until you have carefully inspected and satisfactorily operated the product.
- If any parts are damaged or missing, please call 866-574-9242 (US) or 866-574-9243 (Canada) for assistance.

## Packing List

### 51958 Curved Shaft Trimmer

Upper Shaft (Power Head)  
Curved Shaft Attachment  
Front Handle  
Curved Shaft Grass Deflector  
Lubricant  
Hanger Cap  
Operator's Manual

### 51978 Straight Shaft Trimmer

Upper Shaft (Power Head)  
Straight Shaft Attachment  
Front Handle  
Straight Shaft Grass Deflector  
Lubricant  
Hanger Cap  
Operator's Manual



### **WARNING:**

If any parts are damaged or missing do not operate this product until the parts are replaced. Use of this product with damaged or missing parts could result in serious personal injury.



### **WARNING:**

Do not attempt to modify this product or create accessories not recommended for use with this product. Any such alteration or modification is misuse and could result in a hazardous condition leading to possible serious personal injury.



### **WARNING:**

To prevent accidental starting that could cause serious personal injury, always disconnect the engine spark plug wire from the spark plug when assembling parts.

## Connecting the Attachment to the Upper Shaft

See Figure 2.

### **⚠ WARNING:**

Never install, remove, or adjust any attachment while power head is running. Failure to stop the engine can cause serious personal injury. Never operate power head without an attachment.

### **⚠ WARNING:**

Be certain the knob is fully tightened before operating equipment; check it periodically for tightness during use to avoid serious personal injury.

The attachment connects to the power head by means of a coupler device. Follow these steps to connect the attachment to the upper shaft.

1. Stop the engine and disconnect the spark plug wire.
2. Loosen the knob by turning it counterclockwise.
3. Remove the end cap from the attachment shaft.
4. Push in the button located on the attachment shaft. Align the button with the guide recess on the power head coupler and slide the two shafts together. Rotate the attachment shaft until the button locks into the positioning hole.

**Note:** If the button does not release completely in the positioning hole, the shafts are not locked into place. Slightly rotate from side to side until the button is locked into place.

5. Tighten the knob securely by turning it clockwise.

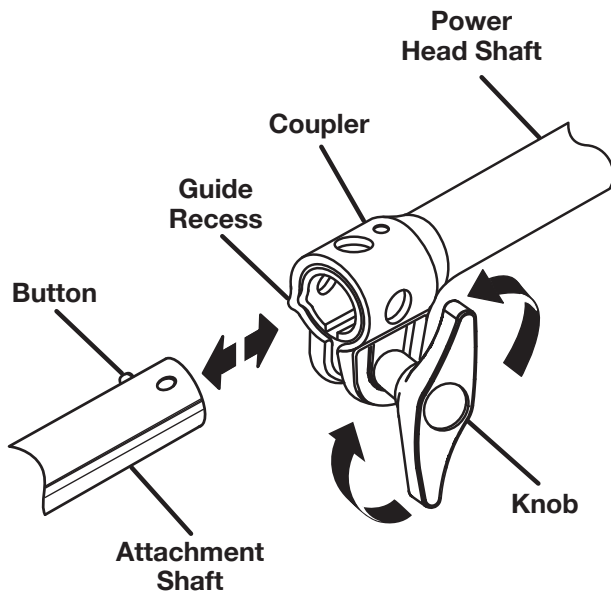


Figure 2

## Removing the Attachment from the Upper Shaft

See Figure 2.

Follow these steps to remove the attachment from the upper shaft.

1. Stop the engine and disconnect the spark plug wire.
2. Loosen the knob by turning it counterclockwise.
3. Push the button while pulling out the attachment.

## Attaching the Front Handle

See Figure 3.

Follow these steps to attach the front handle.

1. Press the front handle onto the top of the upper shaft, in the position indicated by the arrow on the shaft, angling the handle toward the throttle trigger.
2. Place the front handle along the upper shaft to a position that allows for comfortable operation.
3. Insert the handle support tab into the slot in the front handle.
4. Align the hole in the front handle with the hole in the handle support.
5. Insert bolt through holes in front handle and handle support. Secure handle in place using wing nut.

**Note:** Do not cover any portion of the warning label with the front handle.

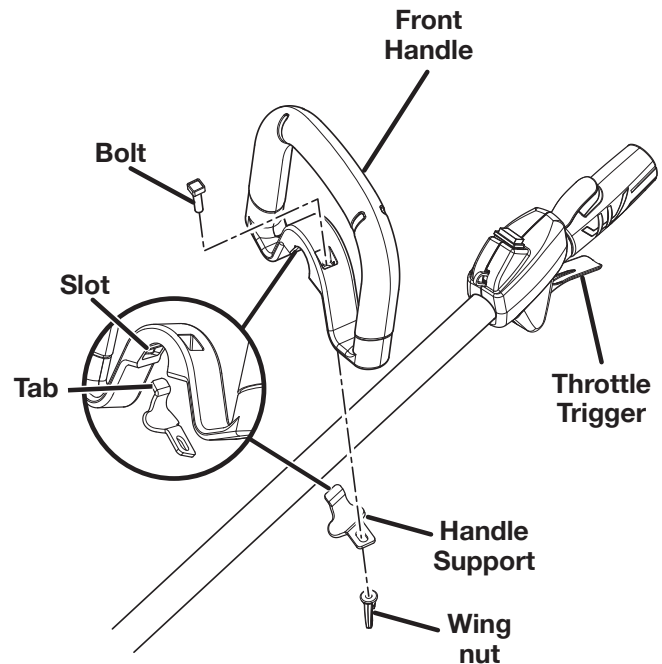


Figure 3



## Attaching the Grass Deflector

Attaching the grass deflector differs depending on the type of trimmer: curved shaft or straight shaft.



### WARNING:

The line cut-off blade on the grass deflector is sharp. Avoid contact with the blade. Failure to avoid contact can result in serious personal injury.



### WARNING:

Always attach the grass deflector prior to operating trimmer. Failure to attach the grass deflector can result in debris being thrown at the operator and result in serious injury.

### To Attach the Curved Shaft Grass Deflector Model No. 51958

See Figure 4.

Follow these steps to attach the curved shaft grass deflector.

1. Stop the engine and disconnect the spark plug wire.
2. Remove the hex head cap screw and wing nut from the grass deflector.
3. Press the grass deflector onto the bottom of the curved shaft as shown.
4. Insert the hex head cap screw through the grass deflector bracket.
5. Place the wing nut on the hex head cap screw and turn clockwise to secure.

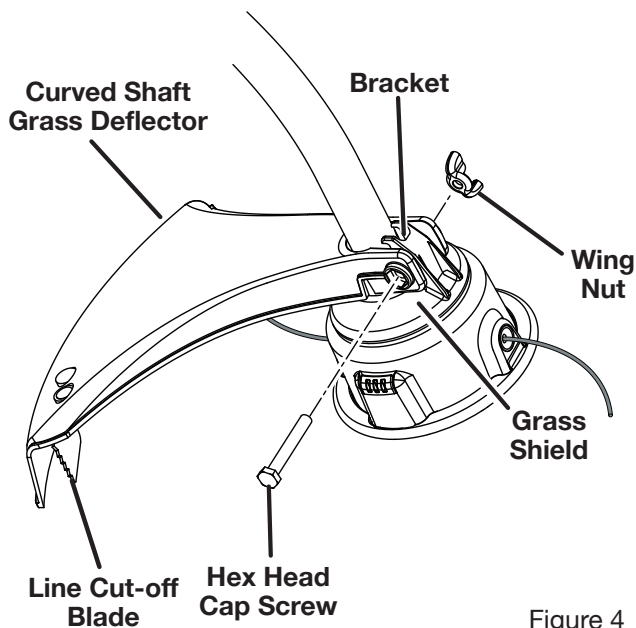


Figure 4

### To Attach the Straight Shaft Grass Deflector Model No. 51978

See Figure 5.

Follow these steps to attach the straight shaft grass deflector.

1. Stop the engine and disconnect the spark plug wire.
2. Remove the bolt from the grass deflector.
3. Insert the tab on the mounting bracket in the slot on the grass deflector.
4. Align the screw hole in the mounting bracket with the screw hole in the grass deflector.
5. Insert the bolt through the mounting bracket and into the grass deflector.
6. Tighten the bolt securely using a flat blade screwdriver or 5/16 in. wrench.

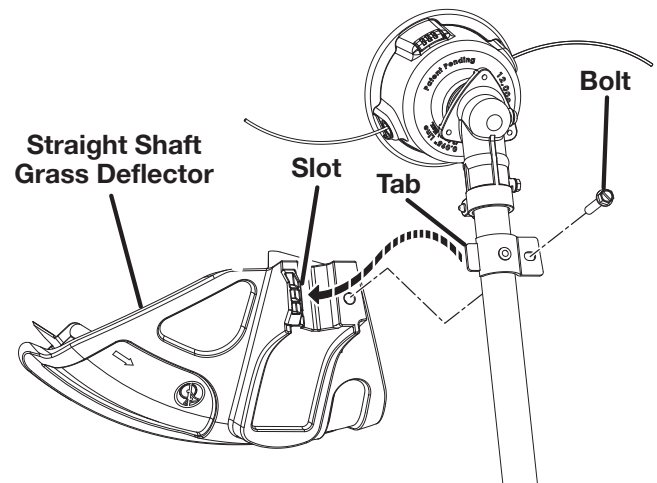


Figure 5

# Operation

## **WARNING:**

Do not allow familiarity with this product to make you careless. Remember that a careless fraction of a second is sufficient to inflict serious injury.

## **WARNING:**

Always wear eye protection with side shields marked to comply with ANSI Z87.1, along with hearing protection. Failure to do so could result in objects being thrown into your eyes and other possible serious injuries.

## **WARNING:**

Never use blades, flailing devices, wire, or rope on this product. Do not use any attachments or accessories not recommended by the manufacturer of this tool. The use of attachments or accessories not recommended can result in serious personal injury.

## **NOTICE:**

The spark arrestor on this product has not been evaluated by the USDA Forest Service and cannot be used on U.S. forest lands. In addition, product users must comply with Federal, State, and local fire prevention regulations. Check with appropriate authorities. Contact customer service to purchase a replacement spark arrestor.

## Applications

Use this product for the following applications:

- Cutting grass, weeds, and light undergrowth
- Edging along sidewalks and driveways

## Fueling and Refueling the Trimmer

### **WARNING:**

Gasoline and its vapors are highly flammable and explosive. To prevent serious personal injury and property damage, handle it with care. Keep away from ignition sources and open flames, handle outdoors only, do not smoke and wipe up spills immediately.

### Fuel Mixture

This product is powered by a 2-cycle engine and requires pre-mixing gasoline and 2-cycle lubricant. Pre-mix unleaded

gasoline and 2-cycle engine lubricant in a clean container approved for gasoline. DO NOT mix quantities larger than usable in a 30-day period.

Recommended fuel: This engine is certified to operate on unleaded gasoline intended for automotive use.

**Note:** We recommend you use high-quality synthetic 2-cycle lubricant in this product. Mix at 2.6 oz. per gallon (US).

Do not use automotive lubricant or 2-cycle outboard lubricant.

### HIGH QUALITY 2-CYCLE ENGINE LUBRICANT



	GASOLINE	LUBRICANT
1.0 gal. (US) (3.8 liter)		2.6 oz. (76 ml)
2.5 gal. (US) (9.5 liter)		6.4 oz. (189 ml)

### Filling Tank

1. Clean surface around fuel cap to prevent contamination.
2. Loosen fuel cap slowly by turning counterclockwise. Rest the cap on a clean surface.
3. Carefully pour fuel into the tank. Avoid spillage.
4. Prior to replacing the fuel cap, clean and inspect the gasket.
5. Immediately replace fuel cap and hand tighten by turning clockwise. Wipe up any fuel spillage.
6. Move at least 30 ft. (9 m) away from refueling area before starting the product.

**Note:** It is normal for smoke to be emitted from a new engine after first use.

### **WARNING:**

Always shut off engine before fueling. Never add fuel to a machine with a running or hot engine. Move at least 30 ft. (9 m) from refueling site before starting engine. Do not smoke and stay away from open flames and sparks. Failure to safely handle fuel could result in serious personal injury.

## Oxygenated Fuels

### **NOTICE:**

**Do not use E15, E20 or E85 fuel (or fuel containing greater than 10% ethanol) in this product. It is a violation of federal law and will damage the unit and void your warranty.**

Fuel system damage or performance problems resulting from the use of an oxygenated fuel containing more than the percentage of oxygenates stated below **are not covered under warranty.**

**Ethanol.** Gasoline containing up to 10% ethanol by volume (commonly referred to as E10) is acceptable. **E15, E20 and E85 are not.**

## Starting the Product

See Figures 6 - 7.

Starting the product differs depending on whether the engine is cold or warm. Refer to the label on the air filter cover.

### To Start a Cold Engine:

Follow these steps to start a cold engine.

1. Lay the product on a flat, bare surface.
2. Push the primer bulb approximately eight times.
3. Set the choke lever to **FULL CHOKE**.
4. Depress trigger lock-out and squeeze throttle trigger fully (thru step 7) and pull starter handle sharply until engine attempts to start (no more than 4x).
5. Set the choke lever to **HALF CHOKE**.
6. Pull starter handle until engine runs, **no more than 6 pulls**.
7. Set the choke lever to **RUN**.

**Note:** In cooler environments, additional pulls of the starter handle may be required with the choke lever in the **FULL CHOKE** position.

### To Start a Warm Engine:

Follow these steps to start a warm engine.

1. Lay the product on a flat, bare surface.
2. Push the primer bulb up to eight times.
3. Set the choke lever to **RUN**.
4. Depress trigger lock-out and squeeze throttle trigger fully, pull the starter cord.

**Note:** If the product does not start, repeat the previous steps.

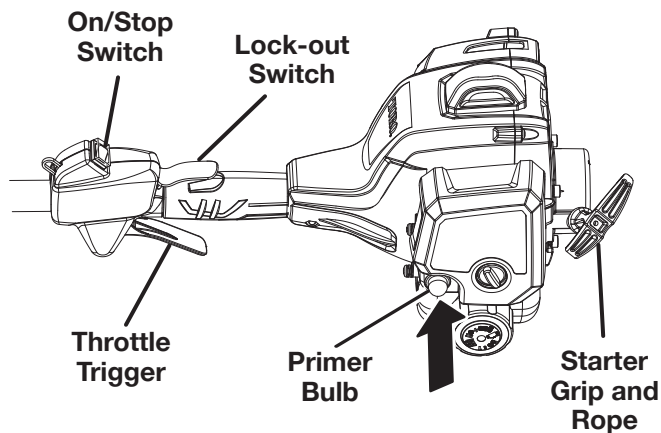
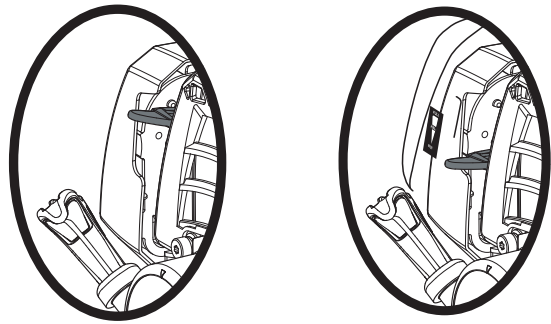


Figure 6



Set Choke to FULL

Set Choke to RUN

Figure 7

## Stopping the Product

See Figure 8.

Follow these steps to stop the product.

1. Release the trigger.
2. Press and hold on/stop switch to (STOP) position until the engine stops. The switch will automatically return to the (ON) position when released.

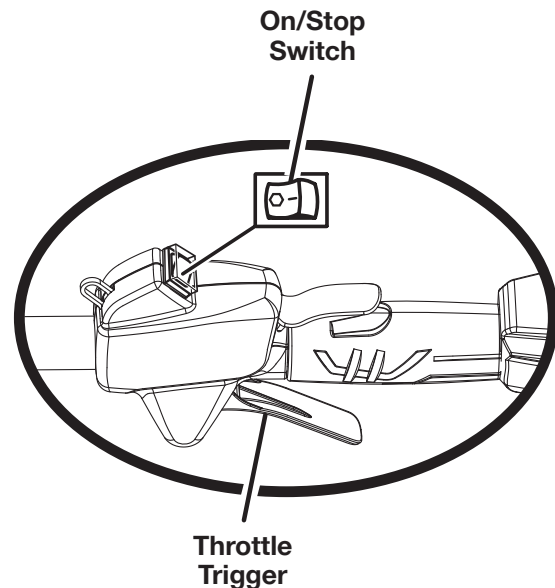


Figure 8

## Operating the Trimmer

Operating the trimmer differs, depending on whether you are using the curved shaft trimmer or the straight shaft trimmer.

### **⚠ WARNING:**

Engine housing may become hot during trimmer operation. Do not rest or place your arm, hand, or any body part against the engine housing during trimmer operation. Only hold the trimmers as shown in Figure 9 and 10 with all body parts clear of engine housing. Extended contact with the engine housing can result in burns or other injuries.

### **⚠ WARNING:**

Always position the unit on the operator's right side. The use of the unit on the operator's left side will expose the user to hot surfaces and can result in possible burn injury.

### **⚠ WARNING:**

To avoid burns from hot surfaces, never operate unit with the bottom of the engine above waist level.

### **To Operate the Curved Shaft Trimmer (Model No. 51958)**

See Figure 9.

Follow these steps to operate the curved shaft trimmer.

1. Start the trimmer.
2. Hold the trimmer at waist level with your right hand on the throttle trigger and your left hand on the front handle.
3. Place the product on the right side of your body with the engine behind and away from your body.
4. Trim grass and weeds in a right-to-left motion with the line parallel to the ground.

### **PROPER OPERATING POSITION**



Figure 9

### **To Operate the Straight Shaft Trimmer (Model No. 51978)**

See Figure 10.

Follow these steps to operate the straight shaft trimmer.

1. Start the trimmer.
2. Hold the trimmer at waist level with your right hand on the throttle trigger and your left hand on the front handle.
3. Place the product on the right side of your body with the engine behind and away from your body.
4. Trim grass and weeds in a left-to-right motion with the line parallel to the ground.

### **PROPER OPERATING POSITION**



Figure 10

## To Advance the Cutting Line

See Figure 11.

Line advance is controlled by tapping the string head on grass while running engine at full throttle.

1. Run engine at full throttle.
2. Tap the knob on ground to advance line. The line advances each time the knob is tapped. Do not hold the knob on the ground.

**Note:** The line trimming cut-off blade on the grass deflector will cut the line to the correct length.

**Note:** If the line is worn too short you may not be able to advance the line by tapping it on the ground. If so, stop the engine and manually advance the line.

### To advance the cutting line manually:

1. Stop the engine and disconnect the spark plug wire.
2. Push the knob in while pulling on line(s) to manually advance the line.

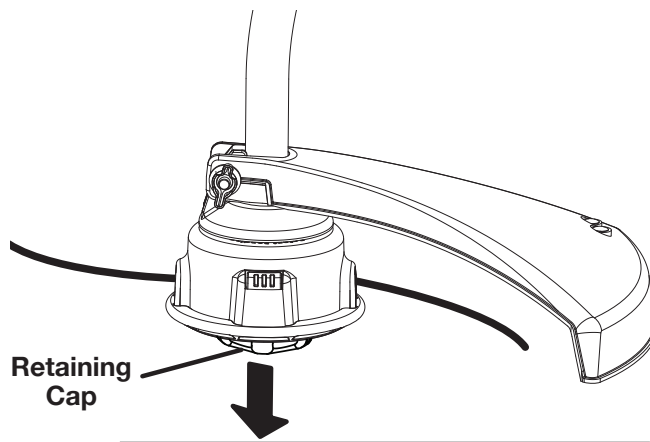


Figure 11

## Cutting Tips

See Figures 12 - 13.

1. Avoid hot surfaces by always keeping the tool away from your body. (Proper operating position is shown in Figures 9 and 10.)
2. Keep the trimmer tilted toward the area being cut; this is the best cutting area.
3. The curved shaft trimmer cuts when passing the unit from right to left. The straight shaft trimmer cuts when passing the unit from left to right. This will avoid throwing debris at the operator. Avoid cutting in the dangerous area shown in figures 12 and 13.

4. Use the tip of string to do the cutting; do not force string head into uncut grass.
5. Wire and picket fences cause extra string wear, even breakage. Stone and brick walls, curbs and wood may wear string rapidly.
6. Avoid trees and shrubs. Tree bark, wood moldings, siding and fence posts can easily be damaged by the string.

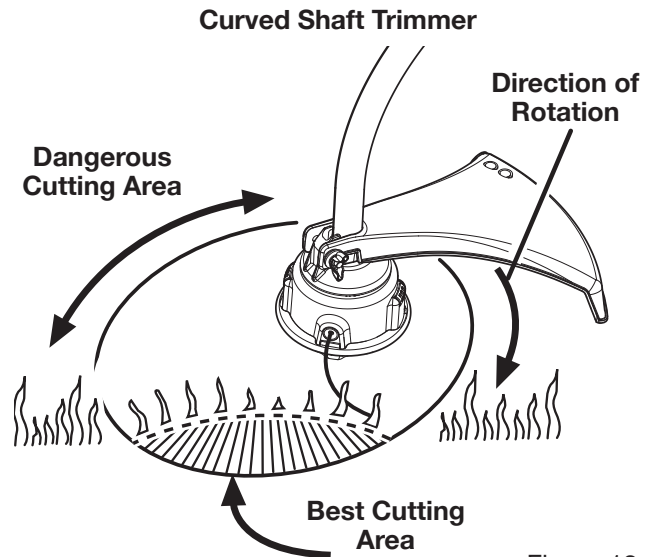


Figure 12

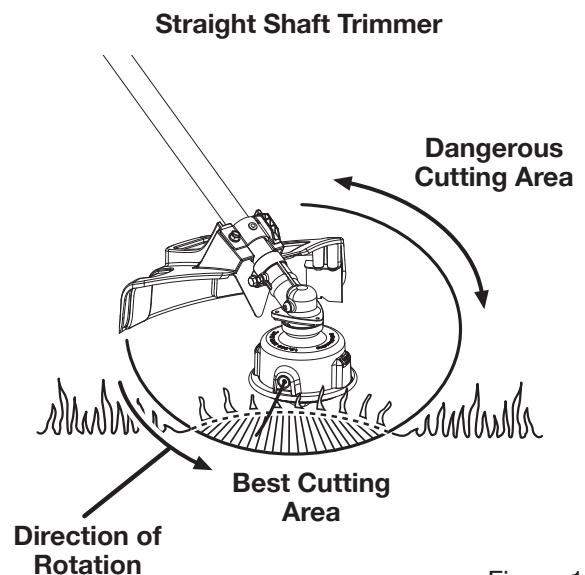


Figure 13



## Installing Line in REEL-EASY™ String Head

See Figures 14 - 15.

Use .095 in./2.4 mm diameter monofilament line.

1. Stop the engine and disconnect the spark plug wire.
2. Cut one piece of line approximately 25 ft. (7.6 m) in length.
3. Rotate knob on string head until line on knob aligns with arrows on top of string head.
4. Insert one end of line into eyelet located on either side of the string head and push until line comes out through eyelet on the other side. Continue to push line through the string head until the middle section of the line is inside the string head and line outside the string head is evenly divided on each side.
5. While holding the string head in one hand with your other hand, rotate the knob on the string head to wind the line. If using the 51958 (curved shaft), knob should be rotated counterclockwise. If using the 51978 (straight shaft), knob should be rotated clockwise. Wind the line until approximately 8 in. (203,2 mm) remains protruding from the string head.

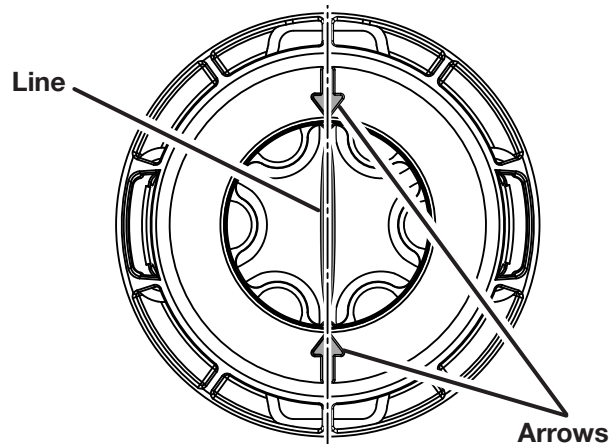


Figure 14

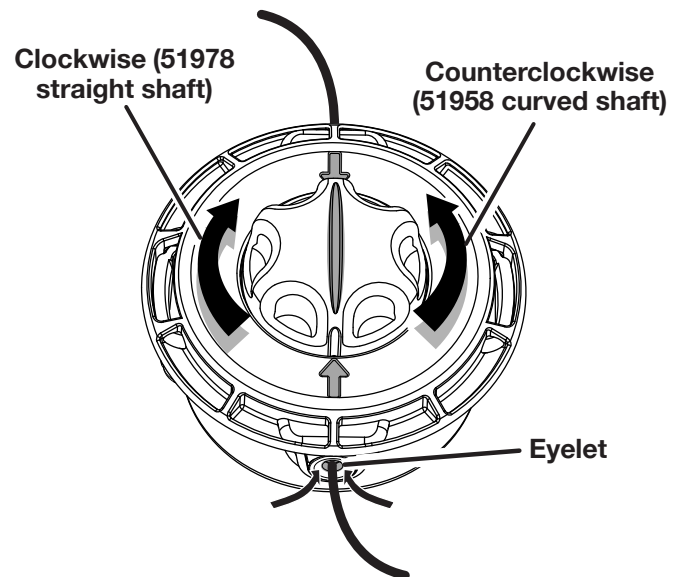


Figure 15

## Maintenance

### **⚠ WARNING:**

Use only Toro replacement parts when servicing this product. Use of any other parts could create a hazard or cause product damage.

### **⚠ WARNING:**

Always wear eye protection with side shields marked to comply with ANSI Z87.1, along with hearing protection. Failure to do so could result in objects being thrown into your eyes and other possible serious injuries.

### **⚠ WARNING:**

Before inspecting, cleaning, or servicing the machine, shut off engine, wait for all moving parts to stop, and disconnect spark plug wire and move it away from spark plug. Failure to follow these instructions can result in serious personal injury or property damage.

### General Maintenance

Avoid using solvents when cleaning plastic parts. Most plastics are susceptible to damage from various types of commercial solvents and may be damaged by their use. Use clean cloths to remove dirt, dust, lubricant, grease, etc.

# Maintenance

## **⚠ WARNING:**

Do not at any time let brake fluids, gasoline, petroleum-based products, penetrating lubricants, etc., come in contact with plastic parts. Chemicals can damage, weaken or destroy plastic which could result in serious personal injury.

## Cleaning the Product

1. Stop the product before cleaning.
2. Clean the exterior of the product with a damp cloth.
3. Avoid using solvents when cleaning plastic parts. Most plastics are susceptible to damage from various types of commercial solvents and may be damaged by their use.
4. Wipe or scrape the trimmer head and spool area when they accumulate dirt or clippings.
5. Scrape debris away from air intake vents on both sides of engine housing.

## **NOTICE:**

Keeping air intake vents free of grass and debris prevents engine overheating and possible engine damage.

## Servicing the Product

Check and tighten all fasteners. If any part is damaged or lost, repair it or replace it.

## Checking the Fuel Cap, Tank, and Lines

## **⚠ WARNING:**

Check for fuel leaks. A leaking fuel cap, tank, or lines is a fire hazard and must be replaced immediately. If you find any leaks, correct the problem before using the product. Failure to do so could result in a fire that could cause serious personal injury.

The fuel cap contains a non-serviceable filter and check valve. A clogged fuel filter causes poor engine performance. If performance improves when the fuel cap is loosened, the check valve may be faulty or the filter may be clogged. Replace the fuel cap if necessary.

## Cleaning the Air Filter

See Figure 16 - 18.

Clean the air filter as indicated by the maintenance schedule. Follow these steps to clean the air filter.

1. Stop the trimmer.
2. Remove the spark plug boot.
3. Loosen the air filter cover by turning the knob counter-clockwise.
4. Remove the air filter cover.
5. Remove the air filter.
6. Clean the air filter with warm soapy water.
7. Rinse the air filter and let it dry completely.
8. Work two drops of oil into the air filter.
9. Replace the air filter (fits only one way).
10. Replace the air filter cover.
11. Tighten the air filter cover by turning the knob clockwise.
12. Replace the spark plug boot.

**Note:** Replace the air filter as indicated by the maintenance schedule.

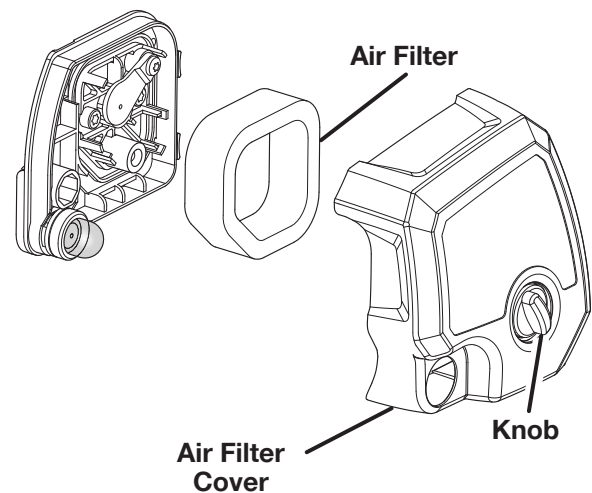


Figure 16

## Replacing the Spark Arrestor

See Figure 17.

### NOTICE:

The spark arrestor on this product has not been evaluated by the USDA Forest Service and cannot be used on U.S. forest lands. In addition, product users must comply with Federal, State, and local fire prevention regulations. Check with appropriate authorities. Contact customer service to purchase a replacement spark arrestor.

### WARNING:

Stop engine, remove spark plug boot, and allow engine and muffler to cool before replacing the spark arrestor. Contact with a hot muffler or engine could cause burns or other serious personal injuries.

**Note:** Depending on the type of fuel used, the type and amount of lubricant used, and/or your operating conditions, the exhaust port, muffler, and/or spark arrestor screen may become blocked with carbon deposits. If you notice a power loss with your gas powered tool, you may need to remove these deposits to restore performance. We highly recommend that only qualified service technicians perform this service.

The spark arrestor may need to be cleaned or replaced after repeated use. If replacement is necessary, use Toro part number 000998216.

### To replace the spark arrestor:

1. Remove the five screws that hold the cover.

**Note:** Removing these screws requires the use of a T20 and T25 torx screwdriver.

2. Remove the cover.

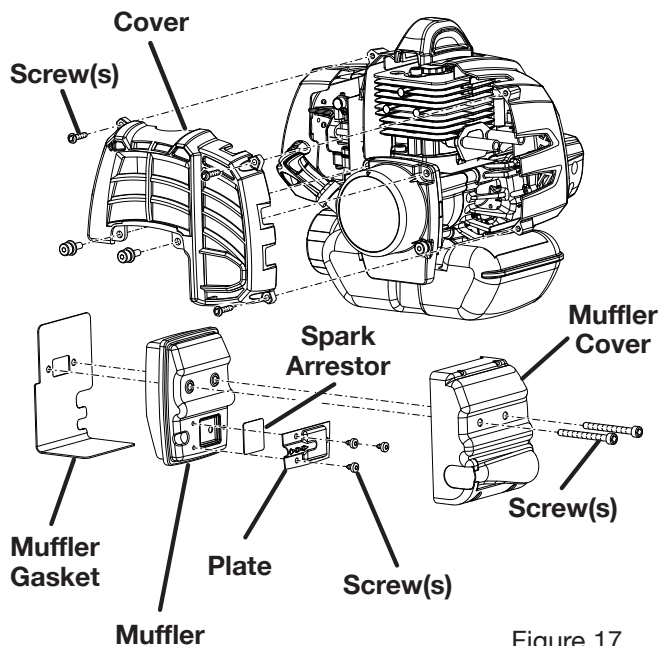


Figure 17

3. Remove the two screws holding the muffler assembly in place.
4. Remove the muffler assembly and muffler gasket. It may be necessary to work the muffler assembly free from the muffler gasket.
5. Separate the muffler cover from the muffler.
6. Remove the three screws that hold the plates on the muffler.
7. Remove the spark arrestor.
8. Replace the old spark arrestor with the new one.
9. Reassemble the muffler by reinstalling the plates and tightening the three screws (torque to 7 in.lb (0.79 Nm) minimum, 13 in.lb. (1.46 Nm) maximum).
10. Reassemble the muffler and muffler cover and attach to the muffler gasket with the two screws.
11. Reinsert the muffler assembly and tighten two screws to engine (torque to 60 in.lb (6.78 Nm) minimum, 80 in.lb. (9.04 Nm) maximum).
12. Reinstall the cover on the tool and fasten with the five screws (torque to 16 in.lb (1.81 Nm) minimum, 22 in.lb. (2.49 Nm) maximum).

**Note:** Do not over-tighten screws.

## Replacing the Spark Plug

See Figure 18.

All model numbers included in this manual use a Champion RCJ4 or RCJ6Y spark plug. Use an exact replacement and replace annually.

1. Remove the spark plug boot.
2. Loosen the spark plug by turning it counterclockwise with a socket.
3. Remove the spark plug.
4. Inspect the new spark plug. The spark plug must be properly gapped and free of deposits in order to ensure proper engine operation. The correct gap is approximately 0.025 in. (0.64 mm). To widen gap, if necessary, carefully bend the ground (top) electrode. To lessen gap, gently tap ground electrode on a hard surface.
5. Hand thread the new spark plug, turning it clockwise.

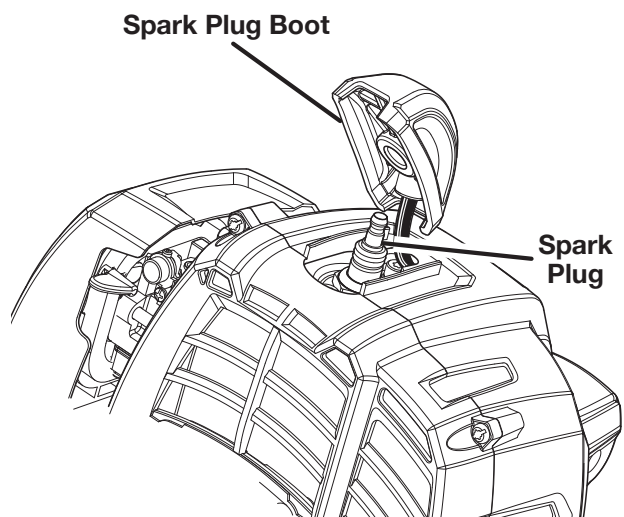


Figure 18



6. Tighten with a socket [torque to 177 in.lb. (20 Nm) minimum, 221 in.lb. (24.97 Nm) maximum. **Do not over-tighten**].

**NOTICE:**

Be careful not to cross-thread the spark plug. Cross-threading will seriously damage the product.

## Idle Speed Adjustment

See Figure 19.

**WARNING:**

The cutting head will move when adjusting the idle speed. Wear all protective clothing and keep all bystanders, children, and pets at least 50 ft. (15 m) away. Make adjustments with the unit supported by hand so that the cutting head does not contact the ground or any object. Keep all parts of your body away from the cutting head and muffler. Failure to follow these instructions could result in serious personal injury.

If the cutting attachment turns at idle, the idle speed screw needs adjusting on the engine. Turn the idle speed screw counterclockwise to reduce the idle RPM and stop the cutting attachment movement. If the cutting attachment still moves at idle speed, contact a service dealer for adjustment and discontinue use until the repair is made.

**WARNING:**

The cutting attachment should never turn at idle. Turn the idle speed screw counterclockwise to reduce the idle RPM and stop the cutting attachment, or contact a service dealer for adjustment and discontinue use until the repair is made. Serious personal injury could result from the cutting attachment turning at idle.

Idle Speed Screw

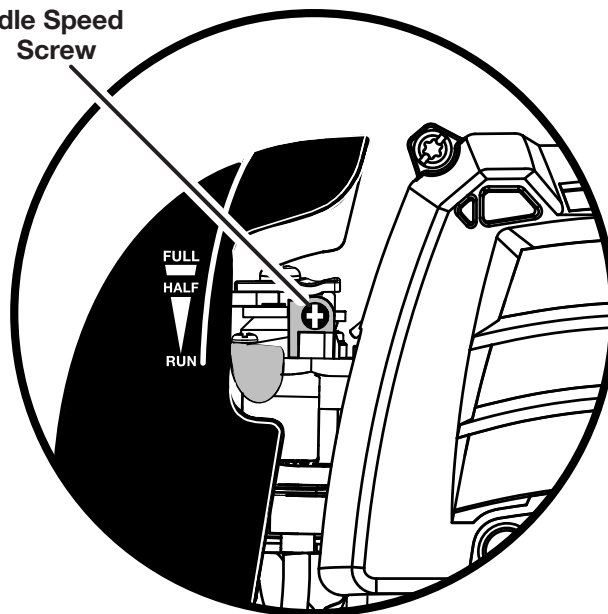


Figure 19

## Storing the Product

Storing the product differs depending on the amount of time it will be in storage.

**Note:** If the product includes another attachment, place the storage cap on the end of the attachment shaft and hang it up to store.

### To Store the Product Short Term:

Follow these steps to store the product short term.

1. Clean all foreign material from the product.
2. Store the product in a well-ventilated place that is inaccessible to children.

### To Store the Product Long Term:

If you do not intend to use the product for more than one month, follow the storage procedures below.

Follow these steps to store the product long term.

1. Drain all of the fuel from the tank into a container approved for gasoline.
2. Run the engine until it stops.
3. Clean all foreign material from the product.
4. Store the product in a well-ventilated place that is inaccessible to children.

**Note:** Keep the product away from corrosive agents such as garden chemicals and de-icing salts.

**Note:** Abide by all federal and local regulations for the safe storage and handling of gasoline.

## Transporting the Product

Follow these steps to transport the product.

1. Drain the fuel mixture into a container that is approved for use with gasoline.
2. Carry the product by the front handle.
3. Secure the product in your vehicle or on a trailer.

## Installing REEL-EASY™ String Head

See Figures 20 - 21.

- Stop the engine and disconnect the spark plug wire.
- Open the Reel Easy string head by depressing the latches on each side. The contents of the string head are spring loaded, so keep your other hand over the string head cover while depressing the latches.
- Remove the string head cover, knob, and spool and set aside.
- Place the upper housing on the drive shaft. Make sure the string head is fully seated.
- Install the hex bolt into the opening on the drive shaft and secure using the hex-shaped opening in the knob to tighten. Turn clockwise for curved shaft and counter-clockwise for straight shaft to tighten.

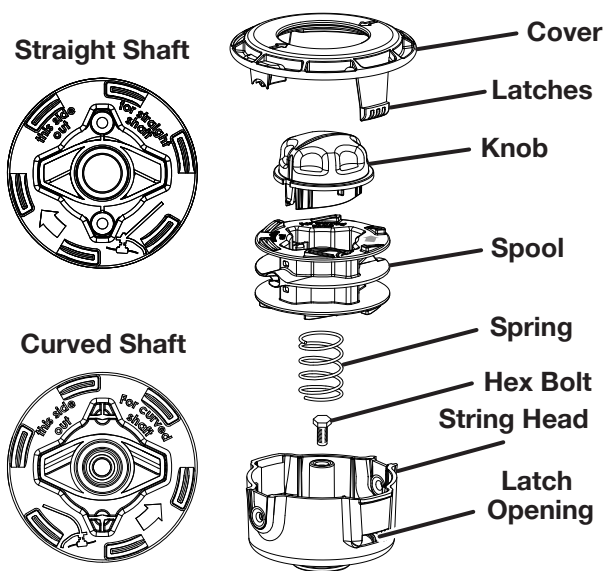


Figure 20

**Note:** Only use the knob to tighten the bolt. The use of other tools may allow overtightening of the bolt, which could damage the string head.

- If removed, replace the spring into the string head and push down to seat.
- Reinstall the spool. For the 51958, the spool should be placed so "This side out for curved shaft" is visible. For the 51978, the spool should be placed so "This side out for straight shaft" is visible.
- Replace the knob in the spool.
- Replace the string head cover, aligning latches with openings in the string head. Press cover and string head together until both latches snap into openings securely.
- Install line as described in the operation section of this manual.

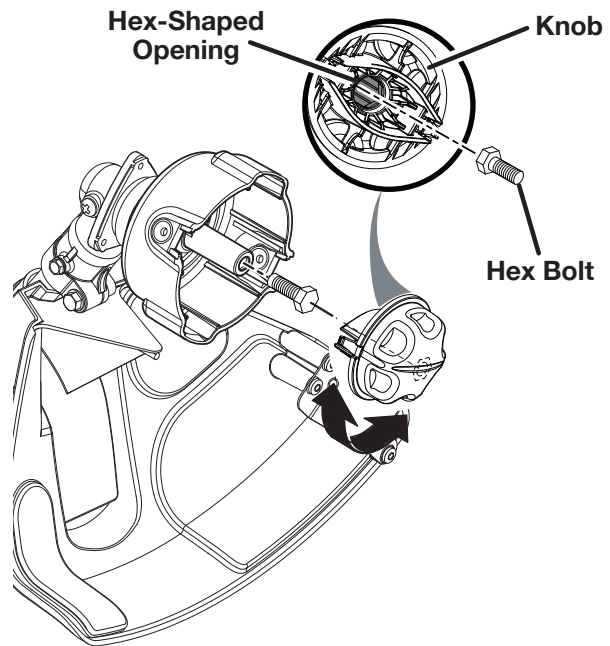


Figure 21

## High Altitude Engine Operation

Please have an authorized service center adjust this engine if it is to be run above 2000 feet. Failure to do so may result in poor engine performance and increased emissions. An engine adjusted for high altitudes can not be run at 2000 feet or lower. In doing so, the engine will overheat and cause serious engine damage. Please have an authorized service center restore high altitude modified engines to the original factory specification before operating below 2000 feet.

## This Product Was Manufactured With a Catalyst Muffler

**Congratulations!** You have made an investment toward protecting the environment. In order to maintain this product's original emission level, please refer to the maintenance section below.

<b>MAINTENANCE SCHEDULE</b>				
<b>Maintenance Part</b>	<b>Inspect For Damage Before Each Use</b>	<b>Clean Every 5 Hours</b>	<b>Clean or Replace Every 25 Hours or Yearly</b>	<b>Replace Every 125 Hours</b>
* <b>CATALYTIC MUFFLER ASSEMBLY</b> .....				X
<b>SPARK SCREEN</b> .....			X	
* <b>AIR FILTER ASSY</b>				
includes:				
Filter .....				X
* <b>CARBURETOR ASSY</b>				
includes:				
Gaskets .....				X
* <b>FUEL TANK ASSY</b>				
includes:				
Fuel Lines .....				X
Fuel Cap .....				X
Fuel Filter .....				X
* <b>IGNITION ASSY</b>				
includes:				
Spark Plug .....				X
* <b>NOTICE:</b> THE USE OF EMISSION CONTROL COMPONENTS OTHER THAN THOSE DESIGNED FOR THIS UNIT IS A VIOLATION OF FEDERAL LAW.				



## CALL US FIRST

For any questions about operating or maintaining your product, call the Toro® Help Line!

Your product has been fully tested prior to shipment to ensure your complete satisfaction.

# Troubleshooting

Problem	Possible Cause	Solution
Engine will not start	<ol style="list-style-type: none"> <li>1. No spark</li> <li>2. No fuel</li> <li>3. Flooded engine</li> <li>4. Starter cord pulls harder now than when new</li> </ol>	<ol style="list-style-type: none"> <li>1. Remove the spark plug. Reattach the spark plug cap and lay the spark plug on the metal cylinder. Pull the starter cord and watch for a spark at the spark plug tip. If there is no spark, repeat the test with a new spark plug.</li> <li>2. Push primer bulb until the bulb is full of fuel. If the bulb does not fill, the primary fuel delivery system is blocked. If the primer bulb fills, the engine may be flooded. (See next item.)</li> <li>3. Remove the spark plug. Turn the product so that the spark plug hole is aimed at the ground. Make sure the choke lever is set to <b>RUN</b> and pull the starter cord 10 to 14 times. This clears excess fuel from the engine. Clean and reinstall the spark plug. With the trigger fully depressed, pull the starter cord 3 times. If the engine does not start, set the choke lever to <b>FULL</b> and follow normal starting instructions. If the engine still fails to start, repeat the procedure with a new spark plug.</li> <li>4. Contact an authorized service dealer.</li> </ol>
Engine does not reach full speed and emits excessive smoke	<ol style="list-style-type: none"> <li>1. Check oil fuel mixture</li> <li>2. Air filter is dirty</li> <li>3. Spark arrestor screen is dirty</li> </ol>	<ol style="list-style-type: none"> <li>1. Use fresh fuel and the correct 2-cycle oil mix.</li> <li>2. Clean the air filter.</li> <li>3. Clean the spark arrestor.</li> </ol>
Line will not advance when using automatic line lengthening	<ol style="list-style-type: none"> <li>1. Line welded to itself</li> <li>2. Not enough line on the spool</li> <li>3. Line worn too short</li> <li>4. Line tangled on spool</li> <li>5. Engine speed too slow</li> </ol>	<ol style="list-style-type: none"> <li>1. Lubricate with silicone spray.</li> <li>2. Install more line.</li> <li>3. Pull line while alternately pressing down on and releasing the retaining cap.</li> <li>4. Remove line from spool and re-wind.</li> <li>5. Advance line at full throttle.</li> </ol>
Grass wraps around the trimmer head assembly and the attachment shaft	<ol style="list-style-type: none"> <li>1. Cutting tall grass at ground level</li> <li>2. Operating the product at part throttle</li> </ol>	<ol style="list-style-type: none"> <li>1. Cut tall grass from the top down.</li> <li>2. Operate the product at full throttle.</li> </ol>
Oil drips from muffler	<ol style="list-style-type: none"> <li>1. Operating the product at part throttle</li> <li>2. Check oil/fuel mixture</li> <li>3. Air filter is dirty</li> </ol>	<ol style="list-style-type: none"> <li>1. Operate the product at full throttle.</li> <li>2. Use fresh fuel and the correct 2-cycle oil mix.</li> <li>3. Clean the air filter.</li> </ol>

# Warranty



## Count on it.

THIS PRODUCT IS MANUFACTURED UNDER LICENSE FROM THE TORO COMPANY BY TECHTRONIC INDUSTRIES NORTH AMERICA, INC.

Techtronic Industries North America, Inc. warrants to the original retail purchaser that this gas trimmer Product is free from defects in material and workmanship and agrees to repair or replace, at our option, any defective Product free of charge within these time periods from the date of purchase:

- Four years for Gas Trimmer Products, if the Product is used for personal, family, or household use;
- 90 days, if Gas Trimmer Products are used for any other purpose, such as commercial or rental.

Except as provided in the Emission Control Warranty Statement, this warranty extends to the original retail purchaser only and commences on the date of original retail purchase.

## Instructions for Obtaining Warranty Service

Any part of the Product manufactured or supplied by Techtronic Industries North America, Inc. and found in the reasonable judgement of Techtronic Industries North America, Inc. to be defective in material or workmanship will be repaired or replaced by an authorized service dealer for this product without charge for parts and labor. To locate your nearest authorized service dealer for this product, contact us Toll free at 866-574-9242 (US) or 866-574-9243 (Canada).

The Product including any defective part must be returned to an Authorized Service Dealer for this product within the warranty period. The expense of delivering the Gas Trimmer Product to the service dealer for warranty work and the expense of returning it back to the owner after repair or replacement will be paid for by the owner. Techtronic Industries North America, Inc.'s responsibility in respect to claims is limited to making the required repairs or replacements and no claim of breach of warranty shall be cause for cancellation or rescission of the contract of sale of any Product. Proof of purchase will be required by the dealer to substantiate any warranty claim. All warranty work must be performed by a service dealer authorized by Techtronic Industries North America, Inc. to service this product.

This warranty does not cover any Gas Trimmer Product that has been subject to misuse, neglect, negligence, or accident, or that has been operated in any way contrary to the operating instructions as specified in the Operator's Manual. This warranty does not apply to any damage to the Gas Trimmer Product that is the result of improper maintenance or to any Gas Trimmer Product that has been altered or modified so as to adversely affect the products operation, performance or durability or that has been altered or modified so as to change its intended use. The warranty does not extend to repairs made necessary by normal wear or by the use of parts

or accessories which are either incompatible with the Gas Trimmer Product or adversely affect its operation, performance or durability.

In addition, this warranty does not cover the following (except to the extent covered by the emissions control warranty set forth below):

- A. Tune-ups – Spark Plugs, Carburetor Adjustments, Filters
- B. Wear Items – Bump Knobs, Outer Spools, Cutting Lines, Inner Reels, Starter Pulley, Starter Ropes, Drive Belts, Tines, Felt Washers, Hitch Pins, Mulching Blades, Blower Fans, Blower and Vacuum Tubes, Vacuum Bag and Straps, Guide Bars, Saw Chains

Techtronic Industries North America, Inc. reserves the right to change or improve the design of any Gas Trimmer Product without assuming any obligation to modify any product previously manufactured.

ALL IMPLIED WARRANTIES ARE LIMITED IN DURATION TO THE STATED WARRANTY PERIOD. ACCORDINGLY, ANY SUCH IMPLIED WARRANTIES INCLUDING MERCHANTABILITY, FITNESS FOR A PARTICULAR PURPOSE, OR OTHERWISE, ARE DISCLAIMED IN THEIR ENTIRETY AFTER THE EXPIRATION OF THE APPROPRIATE THREE-YEAR OR NINETY-DAY WARRANTY PERIOD. TECHTRONIC INDUSTRIES NORTH AMERICA, INC.'S OBLIGATION UNDER THIS WARRANTY IS STRICTLY AND EXCLUSIVELY LIMITED TO THE REPAIR OR REPLACEMENT OF DEFECTIVE PARTS AND TECHTRONIC INDUSTRIES NORTH AMERICA, INC. DOES NOT ASSUME OR AUTHORIZE ANYONE TO ASSUME FOR THEM ANY OTHER OBLIGATION. SOME STATES DO NOT ALLOW LIMITATIONS ON HOW LONG AN IMPLIED WARRANTY LASTS, SO THE ABOVE LIMITATION MAY NOT APPLY TO YOU.

TECHTRONIC INDUSTRIES NORTH AMERICA, INC. ASSUMES NO RESPONSIBILITY FOR INCIDENTAL, CONSEQUENTIAL, OR OTHER DAMAGES INCLUDING, BUT NOT LIMITED TO EXPENSE OF RETURNING THE GAS TRIMMER PRODUCT TO A GAS TRIMMER AUTHORIZED SERVICE DEALER AND EXPENSE OF DELIVERING IT BACK TO THE OWNER, MECHANIC'S TRAVEL TIME, TELEPHONE, OR TELEGRAM CHARGES, RENTAL OF A LIKE PRODUCT DURING THE TIME WARRANTY SERVICE IS BEING PERFORMED, TRAVEL, LOSS, OR DAMAGE TO PERSONAL PROPERTY, LOSS OF REVENUE, LOSS OF USE OF THE PRODUCT, LOSS OF TIME, OR INCONVENIENCE. SOME STATES DO NOT ALLOW THE EXCLUSION OR LIMITATION OF INCIDENTAL OR CONSEQUENTIAL DAMAGES, SO THE ABOVE LIMITATION OR EXCLUSION MAY NOT APPLY TO YOU.

This warranty gives you specific legal rights, and you may also have other rights, which vary, from state to state.



**Customer Service Information**

If your product requires service or maintenance, contact your nearest authorized service dealer. To locate your nearest authorized service dealer for this product, contact us toll free at 866-574-9242 (US) or 866-574-9243 (Canada).

This product is assembled by Techtronic Industries North America, Inc.  
under license from the Toro Company

**Techtronic Industries North America, Inc.**

P.O. Box 35 Highway 8  
Pickens, SC 29671  
866-574-9242 (US) or 866-574-9243 (Canada)  
USA



**Count on it.**

**Manuel de l'utilisateur**


**Taille-bordures à arbre courbé de  
431,8 mm (17 po)**

Modèles No. 51958—314000001 et suivants

**Taille-bordures à arbre droit de  
457,2 mm (18 po)**

Modèles No. 51978—314000001 et suivants

**AVIS**



Ne pas utiliser d'essence E15, E20 ou E85 (ou un carburant contenant plus de 10 % d'éthanol) dans ce produit. Une telle utilisation représente une violation de la loi fédérale et endommagera l'appareil et annulera la garantie.

**ARRÊT**

Pour toute question concernant le taille-bordures, nous appeler au :  
866-574-9242 (États-Unis) ou le  
866-574-9243 (Canada).

**⚠ AVERTISSEMENT :**  
Pour réduire les risques de blessures, l'utilisateur doit lire et veiller à bien comprendre le manuel d'utilisation.  
Conserver ce manuel.





# INFORMATIONS IMPORTANTES

Avant d'utiliser ce taille-bordures pour la première fois, lire les conseils utiles ci-dessous.

## Approvisionnement en carburant



### AVERTISSEMENT :

L'essence et les vapeurs qu'elle dégage sont extrêmement inflammables et explosives. Pour éviter des blessures graves et des dommages matériels, manipuler avec précaution. Garder le produit à l'écart des sources d'inflammation et des flammes vives, l'utiliser uniquement à l'extérieur, ne pas fumer et essuyer rapidement tout carburant répandu.

1. Se procurer un bidon ou jerrycan approuvé pour l'essence.
2. Mélanger la totalité du flacon d'huile moteur 2 à 4 litres (1 gallon) d'essence sans plomb à 87 octanes (50:1).
3. Remplir le réservoir du taille-bordures avec précaution.

## Démarrage à froid et à chaud

En cas d'incertitude en ce qui concerne la température du moteur avant de le relancer, mettre le volet de départ en position **MARCHE** et tirer le cordon du lanceur. Si le moteur ne démarre pas après 5 tractions du cordon, consulter la section « Démarrage d'un moteur froid », plus loin dans ce manuel.

## Moteur noyé

Le moteur démarre-t-il ? S'il ne démarre pas, il peut être noyé. Ne pas s'inquiéter, ce problème peut facilement être corrigé. Mettre le levier du volet de départ en position **MARCHE**. Appuyer sur la gâchette et tirer le cordon du lanceur rapidement 10 à 12 fois. Si le moteur ne démarre pas, voir la section « Dépannage », plus loin dans ce manuel ou appeler gratuitement le 866-574-9242 (États-Unis) ou le 866-574-9243 (Canada).



**Pour toute question concernant le taille-bordures nous contacter gratuitement au 866-574-9242 (ÉU) or 866-574-9243 (Canada).**

## Proposition 65 de l'état de Californie



**AVERTISSEMENT :** Ce produit, les gaz d'échappement qu'il dégage et les autres substances rejetées dans l'air suite à son utilisation peuvent contenir des produits chimiques, notamment du plomb qui, selon l'État de la Californie, peuvent causer le cancer, des anomalies congénitales et d'autres dommages au système reproducteur. ***Bien se laver les mains après toute manipulation.***



# Table des matières

---

Introduction.....	4
Règles de sécurité .....	5-6
Règles de sécurité particulières.....	6
Symboles.....	7
Autocollants .....	8
Caractéristiques.....	9-10
Fiche technique.....	9
Apprendre à connaître produit.....	10
Assemblage.....	11-13
Déballage.....	11
Liste de contrôle d'expédition.....	11
Montage de l'accessoire sur l'arbre supérieur.....	11
Retrait de l'accessoire de l'arbre supérieur.....	12
Installation de la poignée avant.....	12
Installation du déflecteur d'herbe.....	12
Utilisation.....	14-18
Applications.....	14
Approvisionnement en carburant.....	14
Carburants oxygénés.....	15
Démarrage.....	15
Arrêt.....	15
Utilisation du taille-bordures.....	16
Avance de la ligne de coupe.....	17
Conseils de coupe.....	17
Installation de la tête de coupe REEL-EASY.....	18
Entretien.....	19-23
Entretien général.....	19
Nettoyage.....	19
Maintenance.....	19
Vérification du bouchon du réservoir de carburant, réservoir et conduites.....	19
Nettoyage du filtre à air.....	19
Remplacement de l'écran pare-étincelles.....	20
Remplacement de la bougie.....	20
Réglage du ralenti.....	21
Remisage.....	21
Transport.....	21
Installation du fil dans la tête de coupe REEL-EASY.....	22
Fonctionnement du moteur à haute altitude.....	23
Programme d'entretien.....	23
Dépannage.....	24
Garantie.....	25

# Introduction

---

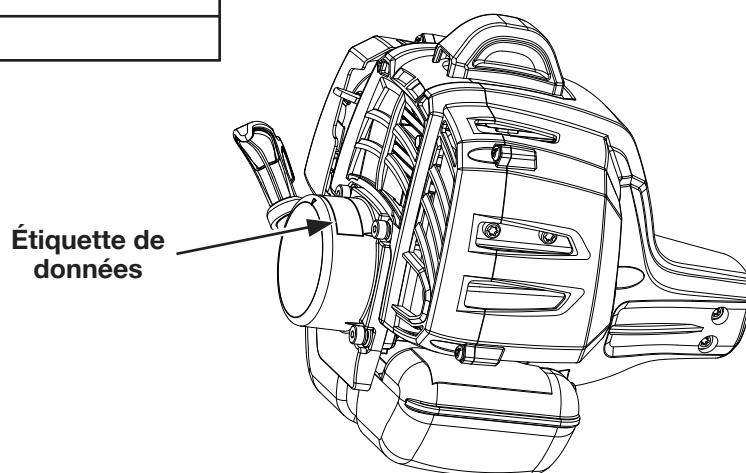
Merci d'avoir acheté un produit Toro.

Nous tenons à ce que vous soyez entièrement satisfait de votre nouveau produit. N'hésitez donc pas à contacter un concessionnaire réparateur agréé pour tout ce qui concerne l'entretien et le dépannage, la commande de pièces détachées ou tout renseignement qui pourrait vous être utile.

Lors de tout contact avec un concessionnaire agréé, veiller à disposer des numéros de modèle et de série du produit. Ces numéros aideront le représentant de service à fournir des informations exactes sur le produit particulier. L'autocollant de numéros de modèle et de série est apposé sur le boîtier du moteur.

Pour plus de commodité, noter le numéro de série dans l'espace ci-dessous.

<b>No. de modèle</b>	
<b>No. de série</b>	



Lire ce manuel attentivement pour apprendre à utiliser et entretenir le produit correctement. La lecture de ce manuel aidera à protéger l'opérateur et les autres personnes présentes contre les risques de blessures et à éviter des dommages au produit. Bien que les outils conçus, fabriqués et commercialisés soient des produits de la plus haute qualité, étudiés pour offrir une sécurité maximum, il incombe à leurs propriétaires de les utiliser correctement et en toute sécurité. Il incombe également au propriétaire de l'outil d'instruire les personnes autorisées à l'utiliser au sujet de la sécurité d'utilisation.

Tout au long de ce manuel, Toro utilise un système d'identification des dangers potentiels et des messages de sécurité destinés à permettre à l'opérateur et aux personnes présentes d'éviter des risques de blessures graves, voire mortelles. Les termes DANGER, AVERTISSEMENT et ATTENTION sont utilisés pour indiquer le niveau de risque. Toutefois, quel que soit le niveau de risque, la plus extrême prudence est de rigueur. Deux autres termes, « Important » et « Remarque », sont destinés à attirer l'attention sur des informations importantes.

# Règles de sécurité

## **AVERTISSEMENT :**

Lire et veiller à bien comprendre toutes les instructions. Le non respect des instructions ci-dessous peut entraîner un choc électrique, un incendie et / ou des blessures graves.

### **Lire toutes les instructions**

- Pour travailler en toute sécurité, lire et veiller à bien comprendre toutes les instructions avant d'utiliser ce produit. Respecter toutes les instructions de sécurité. Le non respect des instructions de sécurité ci-dessous peut entraîner des blessures graves.
- Ne pas laisser des enfants ou personnes n'ayant pas reçu une formation adéquate utiliser cet outil.
- Ne pas démarrer ou faire tourner le moteur dans un espace confiné, de bâtiment, à proximité des fenêtres ouverts, autre ou des zones sans ventilation où des vapeurs toxiques de monoxyde de carbone peuvent s'accumuler. Le monoxyde de carbone, un gaz incolore, inodore et extrêmement toxique peut causer une perte de conscience et être mortel.
- Débayer la zone de travail avant chaque utilisation. La débarrasser de tous les objets tels que cailloux, verre brisé, clous, fils métalliques, cordes, etc. risquant d'être projetés ou de se prendre dans la ligne de coupe ou la lame.
- Toujours porter une protection oculaire avec écrans latéraux certifiée conforme à la norme ANSI Z87.1, avec protection auditive. lors de l'utilisation de ce produit.
- Porter des pantalons longs, manches longues, des chaussures de travail et des gants épais. Ne pas porter de vêtements amples, bijoux, shorts, sandales et ne pas travailler pieds nus. Ne porter aucun bijou.
- Le fait de porter des vêtements de protection lourds peut augmenter la fatigue de l'utilisateur, ce qui pourrait entraîner un coup de chaleur. Si le temps est chaud et humide, effectuer les gros travaux le matin ou en fin d'après-midi, alors qu'il fait plus frais.
- Ne jamais utiliser cet outil en le tenant du côté gauche.
- Attacher les cheveux longs pour les maintenir au-dessus des épaules, afin qu'ils ne se prennent pas dans les pièces en mouvement.
- Garder les badauds, enfants et visiteurs à une distance de 15 m (50 pi). Recommander aux personnes présente de porter une protection oculaire. Si l'on utilise la débroussailleuse, arrêter le moteur et l'accessoire de coupe. Le risque de blessure est accru si on utilise un outil à lames. En effet, les personnes se trouvant à proximité risquent d'être heurtés par une lame en marche advenant qu'elle ricoche, ou à la suite de toute autre réaction inattendue de la scie.
- Ne pas utiliser cet outil en état de fatigue, si l'on est souffrant ou contrarié ou sous l'influence de l'alcool, de drogues ou de médicaments.
- Ne pas travailler sous un éclairage insuffisant.
- Se tenir bien campé et en équilibre. Ne pas travailler hors de portée. Le travail hors de portée risque de faire perdre l'équilibre ou de causer un contact avec les pièces brûlantes.
- Ne pas utiliser l'outil sur une échelle ou un support instable. Une bonne tenue et un bon équilibre permettent de mieux contrôler l'outil en cas de situation imprévue.
- Garder toutes les parties du corps à l'écart des pièces en mouvement.
- Pour éviter le contact avec les parties brûlantes, ne jamais travailler avec le bas du moteur au-dessus du niveau de la taille.
- Ne pas toucher les alentours de l'échappement ou du cylindre, qui deviennent brûlants pendant l'utilisation. Contact avec les surfaces chaudes pourrait entraîner des blessures graves.
- Toujours arrêter le moteur et débrancher le fil de la bougie avant d'effectuer tout entretien ou réglage, à l'exception des réglages du carburateur.
- Inspecter l'outil avant chaque utilisation pour s'assurer qu'il n'y a pas de pièces desserrées, de fuites de carburant, etc. Remplacer les pièces endommagées avant utilisation.
- Lors d'une utilisation normale, l'accessoire de coupe ne doit jamais tourner au ralenti. La rotation au ralenti est toutefois permise lors du réglage du carburateur.
- Il a été rapporté que, chez certaines personnes, les vibrations produites par les outils à main motorisés peuvent contribuer au développement d'une affection appelée syndrome de Raynaud. Les symptômes peuvent inclure des picotements, l'insensibilisation et le blanchissement des doigts et sont habituellement provoqués par l'exposition au froid. L'hérédité, l'exposition au froid et à l'humidité, le régime alimentaire, la fumée et les habitudes de travail sont tous des facteurs considérés comme contribuant au développement de ces symptômes. Il n'existe actuellement aucune preuve qu'un certain type de vibration ou le degré d'exposition contribue réellement au développement de cette affection. Certaines mesures, susceptibles de réduire les effets des vibrations, peuvent être prises par l'opérateur :

- a) Garder le corps au chaud par temps froid. Pendant l'utilisation, porter des gants afin de tenir les mains et les poignets au chaud. Il a été établi que le froid est l'une des principales causes du symptôme de Raynaud.
  - b) Après chaque période d'utilisation, faire des exercices pour accroître la circulation.
  - c) Faire des pauses fréquentes. Limiter la durée d'exposition quotidienne.
  - d) Garder l'outil bien entretenu, toutes les pièces de boulonnerie serrées et remplacer les pièces usées.  
En cas d'apparition de l'un ou plusieurs des symptômes décrits ci-dessus, cesser d'utiliser l'outil et consulter un médecin.
- Mélanger et conserver le carburant dans un bidon ou jerrican approuvé pour l'essence.
  - Mélanger le carburant à l'extérieur, loin de toute flamme ou source d'étincelles. Essuyer tout carburant répandu. S'éloigner de 9 m (30 pi) du point d'approvisionnement avant de lancer le moteur. Desserrer le bouchon du réservoir de carburant lentement une fois que le moteur est arrêté. Ne pas fumer pendant le ravitaillement en carburant.
  - Arrêter le moteur et le laisser refroidir avant de faire le plein ou de le remiser.
  - Laisser le moteur refroidir, vider le réservoir de carburant dans un contenant approuvé pour l'essence et arrimer l'unité avant de la transporter dans un véhicule.
  - Porter un équipement de protection et respecter toutes les instructions de sécurité. Si l'outil est équipé d'un embrayage, s'assurer que l'accessoire de coupe s'immobilise lorsque le moteur tourne au ralenti. Lorsque le moteur est arrêté, s'assurer que l'accessoire de coupe est immobilisé avant de poser l'outil.

## Règles de sécurité particulières




---

### Règles de sécurité particulières à l'utilisation d'une élagueuse








- Inspecter l'outil avant chaque utilisation. Remplacer les pièces endommagées. S'assurer que toutes les pièces de boulonnerie sont en place et bien serrées. S'assurer de l'absence de fuites de carburant.
- Si la tête de coupe est fendue, brisée ou endommagée de quelque façon que ce soit, la remplacer. S'assurer que la tête de coupe ou la lame est correctement installée et solidement assujettie. Ne pas prendre cette précaution peut entraîner des risques de blessures graves.
- S'assurer que tous les dispositifs de protection, sangles, déflecteurs et poignées sont correctement installés et solidement assujettis.
- Ne jamais utiliser des lames, un dispositif fouetteur, un fil ou une corde. Utiliser uniquement le fil de remplacement du fabricant dans la tête de coupe. Ne pas utiliser d'autres accessoires de coupe. L'utilisation d'une tête de coupe d'autre marque sur ce taille-bordures peut entraîner des blessures graves.
- Ne jamais utiliser l'appareil si le déflecteur d'herbe n'est pas en place et en bon état.
- Tenir fermement les deux poignées pendant le travail. Tenir la tête de coupe au-dessous du niveau de la taille. Ne jamais tailler avec la tête de coupe à plus de 762 mm (30 po) du sol.
- Ce produit est conçu pour les personnes qui prévoient l'utiliser de manière peu fréquente pour des applications générales par exemple, tailler la végétation faible et dense etc.; l'outil peut également convenir à d'autres utilisateurs occasionnels. Elle n'est pas conçue pour un usage prolongé. Les périodes d'utilisation prolongée peuvent entraîner des problèmes circulatoires dans les mains de l'opérateur, causés par les vibrations. Pour ce type d'application, il peut être bon d'utiliser une scie équipée d'un dispositif anti-vibrations.

# Symboles

Les termes de mise en garde suivants et leur signification ont pour but d'expliquer le degré de risques associé à l'utilisation de ce produit.

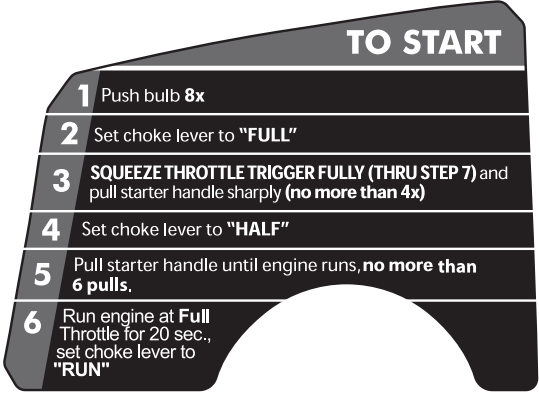




SYMBOLE	SIGNAL	SIGNIFICATION
	<b>DANGER :</b>	Indique une situation extrêmement dangereuse qui, si elle n'est pas évitée, aura pour conséquences des blessures graves ou mortelles.
	<b>AVERTISSEMENT :</b>	Indique une situation potentiellement dangereuse qui, si elle n'est pas évitée, aura pour conséquences des blessures graves ou mortelles.
	<b>ATTENTION :</b>	Indique une situation potentiellement dangereuse qui, si elle n'est pas évitée, pourrait avoir pour conséquences des blessures légères ou de gravité modérée.
	<b>AVIS :</b>	(Sans symbole d'alerte de sécurité) Indique une information importante ne concernant pas un risque de blessure comme une situation pouvant occasionner des dommages matériels.

Les symboles ci-dessous sont apposés sur le produit. Veiller à les étudier et à apprendre leur signification. Une interprétation correcte de ces symboles permettra d'utiliser l'outil plus efficacement et de réduire les risques.

SYMBOLE	NOM	EXPLICATION
	Symbole d'alerte de sécurité	Indique un risque de blessure potentiel.
	Lire le manuel d'utilisation	Pour réduire les risques de blessures, l'utilisateur doit lire et veiller à bien comprendre le manuel d'utilisation avant d'utiliser ce produit.
	Porter une protection oculaire et auditive	Toujours porter une protection oculaire avec écrans latéraux certifiée conforme à la norme ANSI Z87.1 ainsi qu'une protection auditive.
	Ne laisser personne s'approcher	Garder les badauds à une distance de 15 m (50 pi) minimum.
	Richochet	Les objets projetés peuvent ricocher et infliger des blessures ou causer des dommages matériels.
	Ne pas utiliser de lame	Ne jamais utiliser une lame quelconque sur un outil portant ce symbole.
	Essence et huile	Utiliser de l'essence sans plomb pour automobiles, avec un indice d'octane de 87 $([R + M] / 2)$ ou plus. Cet outil utilise un moteur deux temps qui nécessite le mélange d'essence et d'huile 2 temps.

# Autocollants

Les autocollants d'instructions et de mises en garde sont placés bien en vue de l'opérateur, près des pièces présentant un danger potentiel. Remplacer immédiatement tout autocollant manquant ou endommagé.

<p>Réf. 940686148</p> 	<p>Réf. 940864003</p> 
<p>Réf. 940657034</p> 	<p>Réf. 940657032</p> 
<p>Réf. 940865001</p> 	

# Caractéristiques

---

## Fiche technique

Nom	Caractéristique
Moteur	25,4 cc, vilebrequin complet
Largeur de coupe	
No. de modèle 51958	43,2 cm (17 po)
No. de modèle 51978	45,7 cm (18 po)
Diamètre de ligne	2,4 mm (0,095 po)
Poids	
No. de modèle 51958	5,3 kg (11.6 lb)
No. de modèle 51978	5,6 kg (12.5 lb)

## Apprendre à produit

Voir la figure 1.

L'utilisation sûre de ce produit exige une compréhension des renseignements figurant sur l'outil et contenus dans le manuel d'utilisation, ainsi qu'une bonne connaissance du projet entrepris. Avant d'utiliser ce produit, se familiariser dans le présent manuel et dans les manuels d'utilisation de tous les accessoires employés avec ce bloc moteur.

### Moteur

Le moteur est puissant et facile à lancer. Il est bien équilibré ce qui réduit les vibrations et accroît sa durabilité.

### Défecteur d'herbe

Le déflecteur d'herbe protège l'opérateur des débris projetés.

### Protecteur à gazon

Le protecteur à gazon empêche l'herbe de s'enrouler autour du manche du taille-bordures

### Conception ergonomique

Ce produit est extrêmement maniable. L'outil est conçu pour pouvoir être tenu confortablement et aisément dans différentes positions et à différents angles.

### Taille-bordures à arbre courbe (No. de modèle 51958)

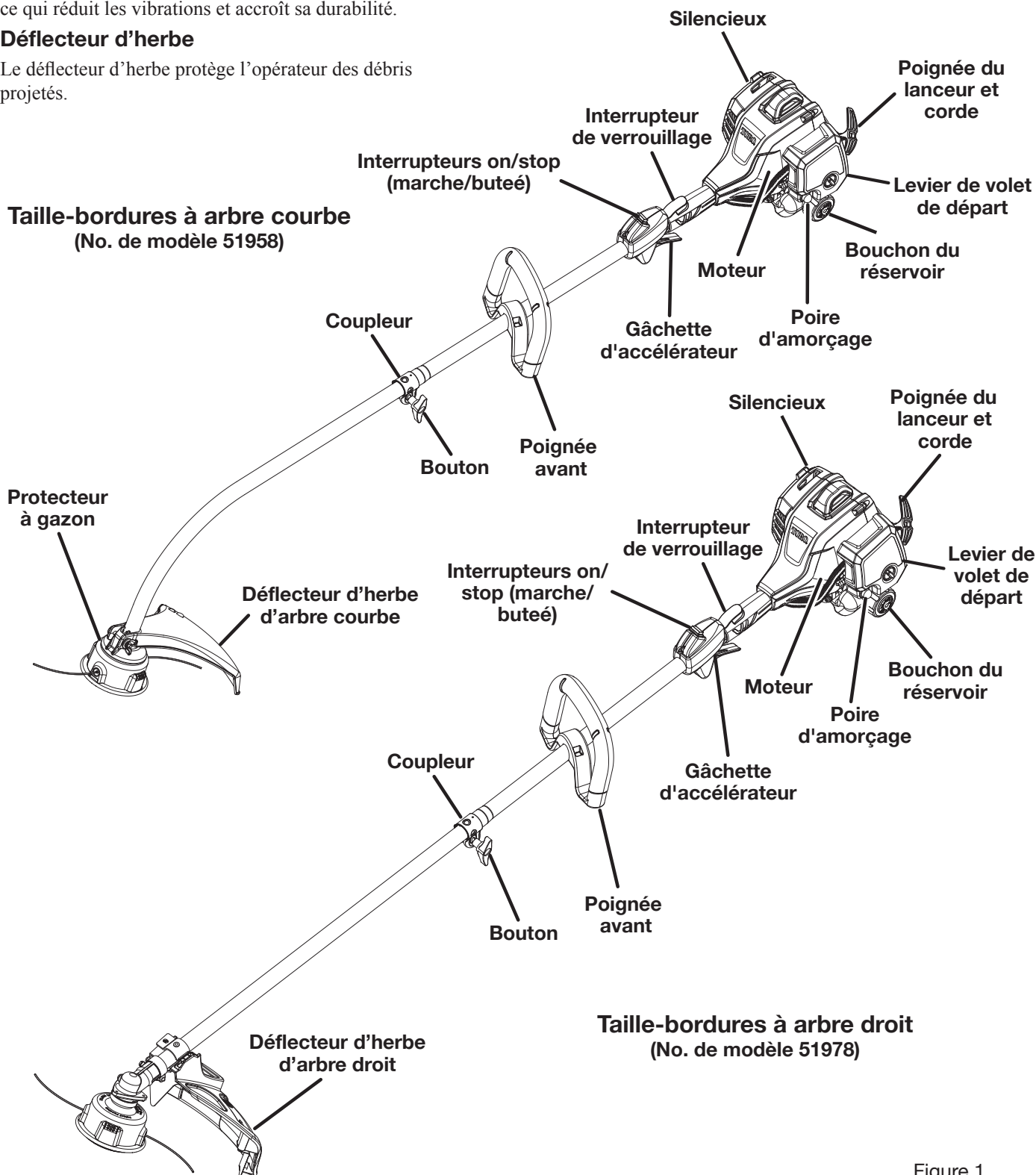


Figure 1



# Assemblage

## Déballage

Ce produit doit être assemblé.

- Avec précaution, sortir le produit et les accessoires de la boîte. S'assurer que toutes les pièces figurant sur la liste de contrôle sont incluses.

### **AVERTISSEMENT :**

Ne pas utiliser le produit si, en le déballant, vous constatez que des éléments figurant dans la liste des pièces sont déjà assemblés. Certaines pièces figurant sur cette liste n'ont pas été assemblées par le fabricant et exigent une installation. Le fait d'utiliser un produit qui a été assemblé de façon inadéquate peut entraîner des blessures.

- Examiner soigneusement le produit pour s'assurer que rien n'a été brisé ou endommagé en cours de transport.
- Ne pas jeter les matériaux d'emballage avant d'avoir soigneusement examiné le produit et avoir vérifié qu'il fonctionne correctement.
- Si des pièces sont manquantes ou endommagées, appeler le 866-574-9242 (États-Unis) ou le 866-574-9243 (Canada).

## Liste des pièces

### 51958 Taille-bordures à arbre courbe

Arbre supérieur (Bloc moteur)

Taille-bordures

Poignée avant

Défecteur d'herbe d'arbre courbe

Lubrifiant

Couvercle de rangement

Manuel d'utilisation

### 51978 Taille-bordures à arbre droit

Arbre supérieur (Bloc moteur)

Taille-bordures

Poignée avant

Défecteur d'herbe d'arbre droit

Lubrifiant

Couvercle de rangement

Manuel d'utilisation

### **AVERTISSEMENT :**

Si des pièces manquent ou sont endommagées, ne pas utiliser ce produit avant qu'elles aient été remplacées. Le fait d'utiliser ce produit même s'il contient des pièces endommagées ou s'il lui manque des pièces peut entraîner des blessures graves.

### **AVERTISSEMENT :**

Ne pas essayer de modifier ce produit ou de créer des accessoires non recommandés pour la produit. De telles altérations ou modifications sont considérées comme un usage abusif et peuvent créer des conditions dangereuses, risquant d'entraîner des blessures graves.

### **AVERTISSEMENT :**

Pour empêcher un démarrage accidentel pouvant entraîner des blessures graves, toujours déconnecter le fil de bougie de moteur de la bougie d'allumage avant d'assembler des pièces.

## Montage de l'accessoire sur l'arbre supérieur

*Voir la figure 2.*

### **AVERTISSEMENT :**

Ne jamais installer, retrait ou ajuster un accessoire lorsque le moteur tourne. Ceci pourrait causer des blessures graves. Ne jamais faire fonctionner le bloc moteur si aucun accessoire n'y est fixé.

### **AVERTISSEMENT :**

S'assurer que le bouton est bien serré avant d'utiliser l'outil et le vérifier de temps à autre pour éviter le risque de blessures graves.

L'accessoire se raccorde au bloc-moteur à l'aide d'un dispositif de couplage. Pour monter l'accessoire sur l'arbre supérieur.

1. Arrêter le moteur et débrancher le fil de la bougie.
2. Desserrer le bouton en le tournant vers la gauche.
3. Retirer le capuchon de l'arbre d'accessoire.
4. Appuyer sur le bouton se trouvant sur l'arbre de l'accessoire. Aligner le bouton sur la rainure guide du bloc-moteur et emboîter les deux arbres. Tourner l'arbre de l'accessoire jusqu'à ce que le bouton s'enclenche dans le trou de positionnement.

**Note :** Si le bouton ne s'engage pas complètement dans le trou de positionnement, les tubes ne sont pas solidement maintenus l'un dans l'autre. Tourner légèrement les tube dans les deux sens jusqu'à ce que le bouton s'engage complètement.

5. Serrer fermement le bouton en le tournant vers la droite.

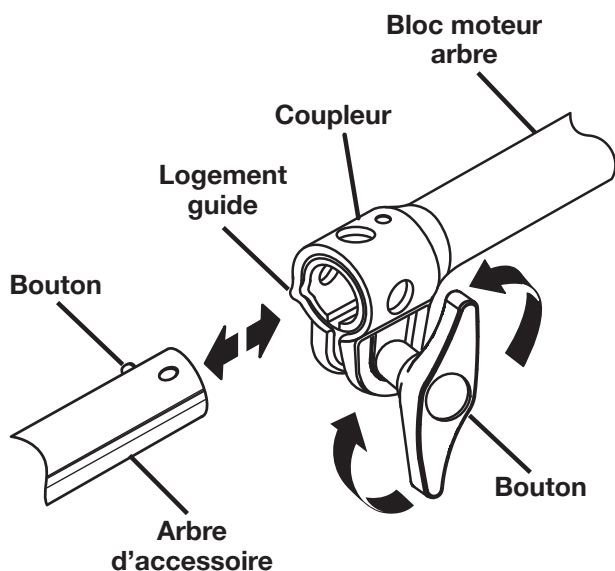


Figure 2

## Retrait de l'accessoire de l'arbre supérieur

Voir la figure 2.

Retrait de l'accessoire de l'arbre supérieur

1. Arrêter le moteur et débrancher le fil de la bougie.
2. Desserrer le bouton en le tournant vers la gauche.
3. Appuyer sur le bouton tout en tirant l'accessoire hors de l'arbre.

## Installation de la poignée avant

Voir la figure 3.

Pour installer la poignée avant :

1. Abaisser la poignée avant sur le dessus de l'arbre supérieur, à la position indiquée par la flèche de l'arbre, en alignant la poignée vers la gâchette d'accélérateur.
2. Positionner la poignée sur l'arbre supérieur de manière à obtenir une position d'utilisation confortable.
3. Insérer l'ergot du support de poignée dans la fente du poignée avant.

4. Aligner le trou de la poignée avant sur le trou de support de poignée.
5. Insérer le boulon dans le poignée avant et support de poignée. L'assujettir avec l'écrou papillon.

**Note :** Ne recouvrir aucune partie de l'étiquette d'avertissement avec la poignée avant.

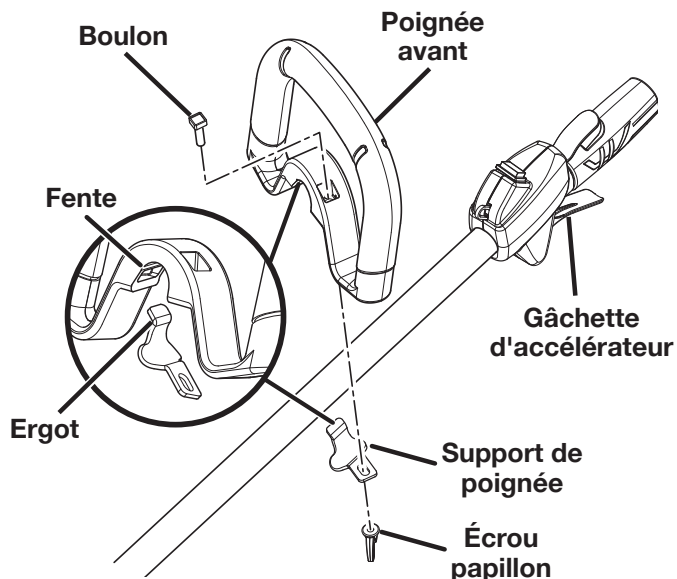


Figure 3

## Installation du déflecteur d'herbe

L'installation du déflecteur d'herbe dépend du modèle de taille-bordures : à arbre droit ou à arbre courbe.

### **⚠ AVERTISSEMENT :**

La lame à tronçonner du déflecteur d'herbe est tranchante. Éviter tout contact avec la lame. Ne pas suivre cette directive peut entraîner des blessures graves.

### **⚠ AVERTISSEMENT :**

Toujours fixer le déflecteur d'herbe avant d'utiliser le taille-bordures. Ne pas suivre cette directive pourrait faire en sorte que des débris soient projetés vers l'utilisateur, ce qui peut entraîner des blessures graves.

## Installation du déflecteur d'herbe d'arbre courbe

No. de modèle 51958

Voir la figure 4.

Pour installer le déflecteur d'herbe d'arbre courbe, procéder comme suit.

1. Arrêter le moteur et débrancher le fil de la bougie.
2. Retirer le boulon à six pans et l'écrou papillon du déflecteur d'herbe.
3. Emboîter le déflecteur d'herbe sur le bas de l'arbre courbe, comme illustré.
4. Insérer le boulon à six pans dans le déflecteur d'herbe, le support.
5. Installer l'écrou papillon et le serrer fermement en le tournant vers la droite.

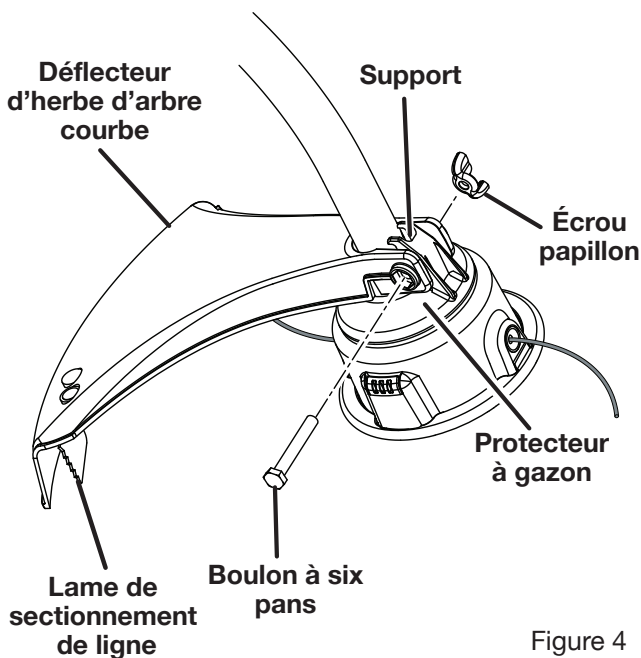


Figure 4

## Installation du déflecteur d'herbe d'arbre droit

No. de modèle 51978

Voir la figure 5.

Pour installer le déflecteur d'herbe d'arbre droit, procéder comme suit :

1. Arrêter le moteur et débrancher le fil de la bougie.
2. Retirer la boulon fendue du déflecteur d'herbe.
3. Insérer la languette du support de montage dans la fente du déflecteur d'herbe.
4. Insérer la languette du support de montage dans la fente du déflecteur d'herbe.
5. Insérer la boulon fendue dans le support de montage et le déflecteur d'herbe.
6. Serrer la boulon fermement à l'aide d'un tournevis à lame plate ou clé de 5/16 po.

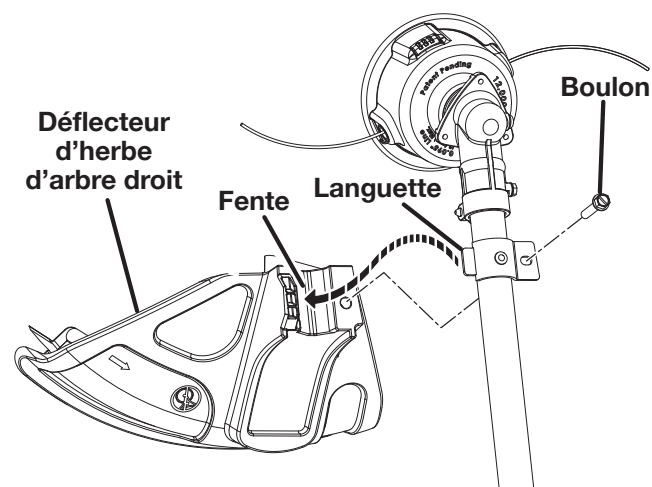


Figure 5

# Utilisation

## **⚠ AVERTISSEMENT :**

Ne pas laisser la familiarité avec l'outil faire oublier la prudence. Ne pas oublier qu'une fraction de seconde d'inattention peut entraîner des blessures graves.

## **⚠ AVERTISSEMENT :**

Porter une protection oculaire munie d'écrans latéraux certifiée conforme à la norme ANSI Z87.1 ainsi qu'une protection auditive. Ne pas suivre cette directive pourrait entraîner des blessures graves, par exemple si l'appareil projetait des objets dans vos yeux.

## **⚠ AVERTISSEMENT :**

Ne jamais utiliser des lames, de dispositifs coudés, un fil ou une corde avec ce produit. Ne pas utiliser d'outils ou accessoires non recommandés pour cet outil. L'utilisation de pièces et accessoires non recommandés peut entraîner des blessures graves.

## **AVIS :**

Le pare-étincelles sur ce produit n'a pas été évalué par le Service forestier des États-Unis et ne peut pas être utilisé sur des terrains forestiers des États-Unis. De plus, les utilisateurs du produit doivent respecter les réglementations locales et gouvernementales de lutte contre l'incendie. Consulter les autorités appropriées. Contacter le service à la clientèle pour acheter un pare-étincelles de rechange.

## Applications

Utiliser cet outil approprié pour les applications suivantes :

- Taille de gazon, mauvaises herbes et végétation légère
- Bordure des trottoirs et allées

## Approvisionnement en carburant

### **⚠ AVERTISSEMENT :**

L'essence et les vapeurs qu'elle dégage sont extrêmement inflammables et explosives. Pour éviter des blessures graves et des dommages matériels, manipuler avec précaution. Garder le produit à l'écart des sources d'inflammation et des flammes vives, l'utiliser uniquement à l'extérieur, ne pas fumer et essuyer rapidement tout carburant répandu.

## Mélange de carburant

Cet outil utilise un moteur deux temps qui nécessite le mélange d'essence et de lubrifiant 2 temps. Mélanger de l'essence sans plomb et de le lubrifiant moteur 2 temps dans un jerrycan propre homologué pour l'essence. NE PAS mélanger plus de carburant qu'il ne sera utilisé dans une période de 30 jours.

Carburant recommandé : Cet outil est certifié pour fonctionner avec de l'essence sans plomb pour véhicules automobiles.

**Note :** Nous recommandons l'utilisation d'huile synthétique de première qualité semblable pour moteur 2 temps dans ce produit. Mélanger 76 ml par 3,8 L (2,6 oz par gallon US).

Ne pas utiliser de lubrifiant automobile ou pour moteur hors-bord 2 temps.

### LUBRIFIANT 2 TEMPS DE HAUTE QUALITÉ



ESSENCE

LUBRIFIANT

3,8 litre [1,0 gal (US)]

76 ml (2,6 oz)

9,5 litre [2,5 gal (US)]

189 ml (6,4 oz)

## Remplissage du réservoir

1. Nettoyer le pourtour du bouchon de remplissage pour éviter la contamination du carburant.
2. Desserrer le bouchon du réservoir d'essence lentement en le tournant dans le sens antihoraire. Poser le bouchon sur une surface propre.
3. Verser le mélange dans le réservoir avec précaution. Éviter de répandre du carburant.
4. Avant de remettre le bouchon en place, nettoyer et inspecter son joint.
5. Desserrer le bouchon du réservoir d'essence lentement en le tournant dans le sens antihoraire. Poser le bouchon sur une surface propre.
6. S'éloigner d'au moins 9 m (30 pi) du point d'approvisionnement avant de lancer le moteur.

**Note :** Il est normal qu'un moteur neuf dégage de la fumée après la première utilisation.

### **⚠ AVERTISSEMENT :**

Toujours arrêter le moteur avant l'approvisionnement en carburant. Ne jamais remplir le réservoir d'une machine lorsque le moteur tourne ou est chaud. S'éloigner d'au moins 9 m (30 pi) du point d'approvisionnement avant de lancer le moteur. Ne pas fumer, et rester à l'écart des flammes vives et des étincelles. Une mauvaise manipulation de l'essence peut entraîner des blessures graves.

## Carburants oxygénés

### AVIS :

Ne pas utiliser d'essence E15, E20 ou E85 (ou un carburant contenant plus de 10 % d'éthanol) dans ce produit. Une telle utilisation représente une violation de la loi fédérale et endommagera l'appareil et annulera la garantie.

Les dommages au circuit de carburant et les problèmes de performance résultant de l'utilisation de carburant oxygéné contenant des pourcentages de composants oxygénés supérieurs à ceux indiqués ci-dessous **ne sont pas couverts par la garantie**.

Éthanol. L'essence contenant jusqu'à 10 % d'éthanol par volume (généralement désignée E10) est acceptable. **E15, E20 et E85 ne sont pas.**

### Démarrage

Voir les figures 6 et 7.

La méthode de démarrage n'est pas la même, selon que le moteur est chaud ou froid. Voir l'autocollant du couvercle du filtre à air.

#### Démarrage du moteur froid :

Pour démarrer un moteur froid, procéder comme suit.

1. Poser l'outil sur un sol nu et plat.
2. Appuyer sur la poire d'amorçage environ 8 fois.
3. Mettre le levier du volet de départ en position **FULL CHOKE** (complètement ouvert).
4. Appuyer sur le interrupteur de verrouillage et enfoncer complètement la gâchette d'accélérateur (jusqu'à l'étape 7), et tirer brusquement sur la poignée du démarreur jusqu'à ce que le moteur tente de démarrer (pas plus de 4 tirs).
5. Mettre le levier du volet de départ en position **HALF CHOKE** (demi étranglement).
6. Tirer sur le cordon du lanceur jusqu'à ce que le moteur démarre, **ne pas plus de six (6) fois**.
7. Mettre le levier du volet de départ en position **RUN** (marche).

**Note :** Par temps froid, il peut être nécessaire de tirer le lanceur plusieurs fois lorsque le levier de départ est en position **FULL** (ouvert).

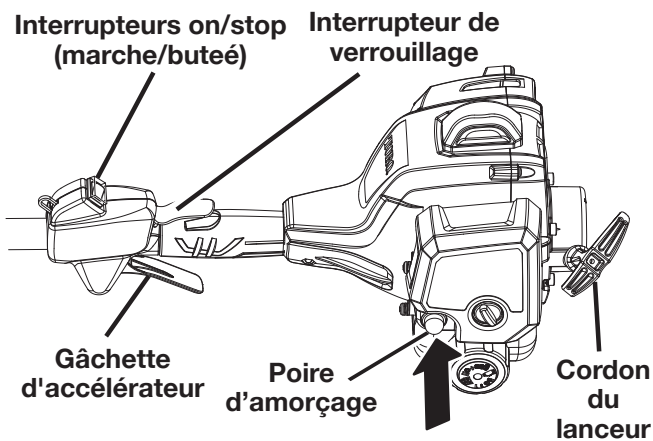
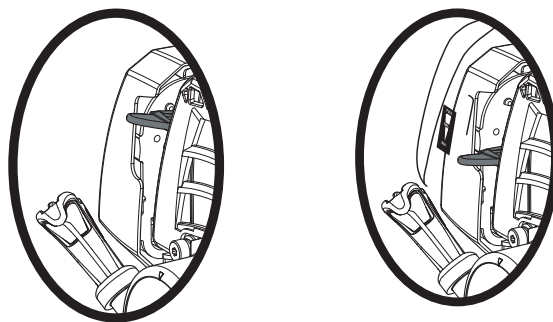


Figure 6



Mettre le volet de départ en position **FULL**

Mettre le volet de départ en position **RUN**

Figure 7

#### Démarrage du moteur chaud :

Pour démarrer un moteur chaud, procéder comme suit :

1. Poser l'outil sur un sol nu et plat.
2. Appuyer sur la poire d'amorçage environ 8 fois.
3. Mettre le levier du volet de départ en position **RUN** (marche).
4. Appuyer sur le interrupteur de verrouillage et enfoncer complètement la gâchette d'accélérateur, et tirer sur le cordon du lanceur.

**Note :** Si le moteur ne démarre pas, reprendre les étapes précédentes.

#### Arrêt

Voir la figure 8.

Pour arrêter l'outil, procéder comme suit.

1. Relâcher la gâchette.
2. Maintenir enfoncé le commutateur marche/arrêt (STOP) position jusqu'à ce que le moteur s'arrête. L'interrupteur se repositionnera automatiquement sur la position « I » lorsque relâché.

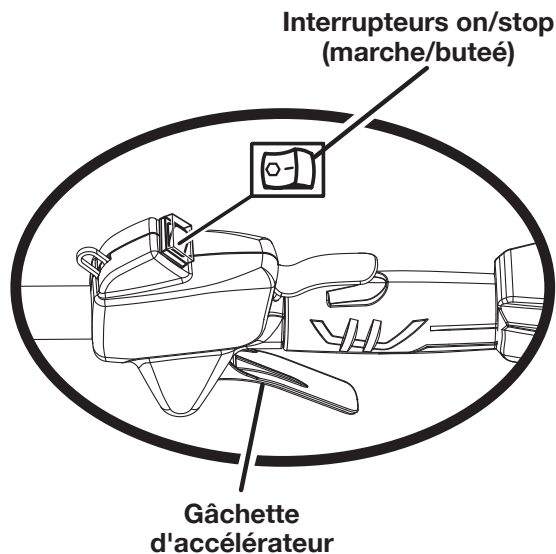


Figure 8



## Utilisation du taille-bordures

L'utilisation d'un taille-bordures n'est pas la même selon qu'il est équipé d'un arbre droit ou d'un arbre courbe.

### **⚠ ADVERTENCIA:**

Le logement du moteur peut devenir chaud pendant l'utilisation du taille bordures à fil. Éviter de placer ou d'appuyer le bras, la main ou toute autre partie du corps contre le logement du moteur pendant l'utilisation du taille bordures. Tenir l'outil uniquement dans la position illustrée à la figure 9 et 10 en s'assurant qu'aucune partie du corps ne se trouve à proximité du logement du moteur. Un contact prolongé avec le logement du moteur peut entraîner des brûlures ou d'autres blessures.

### **⚠ AVERTISSEMENT :**

Toujours tenir l'outil à sa droite. L'utilisation à gauche exposerait l'utilisateur aux surfaces chaudes, créant ainsi des risques de brûlures.

### **⚠ AVERTISSEMENT :**

Pour éviter le contact avec les parties brûlantes, ne jamais travailler avec le bas du moteur au-dessus du niveau de la taille.

## Utilisation du taille-bordures à arbre courbe

(No. de modèle 51958)

Voir la figure 9.

Pour utiliser le taille-bordures à arbre courbe, procéder comme suit.

1. Lancer le moteur.
2. Tenir le taille-bordures à hauteur de la taille, avec la main droite sur la poignée de la gâchette d'accélérateur et la main gauche sur la poignée avant.
3. Tenir l'outil sur le côté droit du corps, le moteur à l'arrière et à l'écart du corps.
4. Tenir la ligne parallèle au sol et couper l'herbe avec un mouvement de droite à gauche.

## BONNE POSITION DE TRAVAIL



Figure 9

## Utilisation du taille-bordures à arbre droit (No. de modèle 51978)

Voir la figure 10.

Pour utiliser le taille-bordures à arbre droit, procéder comme suit.

1. Lancer le moteur.
2. Tenir le taille-bordures à hauteur de la taille, avec la main droite sur la poignée de la gâchette d'accélérateur et la main gauche sur la poignée avant.
3. Tenir l'outil sur le côté droit du corps, le moteur à l'arrière et à l'écart du corps.
4. Tenir la ligne parallèle au sol et couper l'herbe avec un mouvement de gauche à droite.

## BONNE POSITION DE TRAVAIL



Figure 10

## Avance de la ligne de coupe

Voir la figure 11.

L'avance de la ligne est obtenue en tapant la tête de coupe sur le gazon, le moteur tournant à plein régime.

1. Faire tourner le moteur à plein régime.
2. Taper la tête de coupe sur le sol pour faire avancer la ligne.  
La ligne avance chaque fois que la tête de coupe est frappée sur le sol. Ne pas maintenir le bouton contre le sol.

**Note :** La lame du déflecteur d'herbe coupe la ligne à la longueur correcte.

**Note :** Si la ligne devient trop courte, il peut ne pas être possible de la faire avancer en tapant la tête de coupe sur le sol. Dans ce cas, arrêter le moteur et tirer la ligne à la main.

### Avance manuelle de la ligne de coupe :

1. Arrêter le moteur et débrancher le fil de la bougie.
2. Appuyer sur la bouton et tirer sur la ou les lignes pour sortir la longueur désirée.

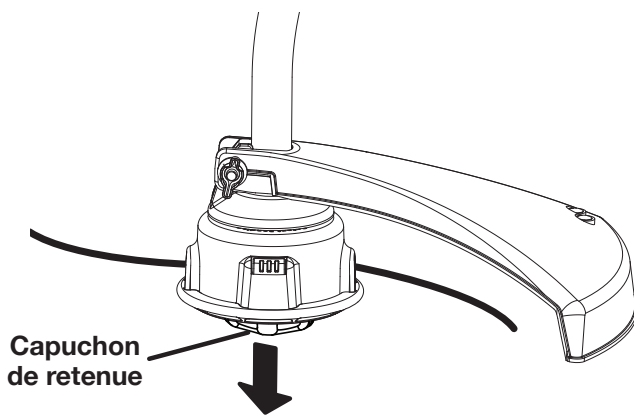


Figure 11

## Conseils de coupe

Voir les figures 12 et 13.

1. Éviter les surfaces très chaudes en maintenant toujours l'outil à l'écart du corps. (Position de travail correcte illustrée à la figure 9 et 10).
2. Pour une efficacité maximum, garder le taille-bordures incliné vers la zone de coupe.
3. Pour couper avec le taille-bordures à arbre courbe, utiliser un mouvement de balayage de droite à gauche. Ceci évite que les débris soient projetés en direction de l'opérateur. Éviter de couper dans la zone dangereuse montrée aux figure 12 et 13.

4. Couper avec l'extrémité de la ligne ; ne pas forcer la tête de coupe dans l'herbe non coupée.
5. Les palissades en métal et en bois accélèrent l'usure de la ligne et peuvent la faire casser. Les murs en pierre et brique, trottoirs et pièces de bois peuvent user la ligne rapidement.
6. Éviter les arbres et buissons. L'écorce des arbres, les moulures en bois, le lambrisage et les piquets de palissades peuvent être endommagés par la ligne.

### Taille-bordures à arbre courbe

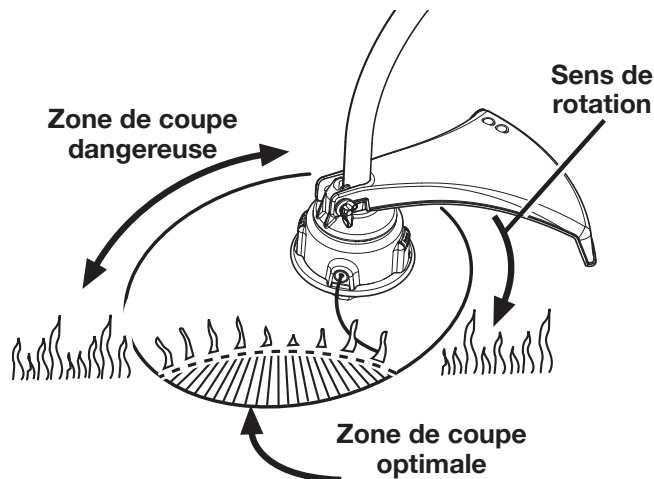


Figure 12

### Taille-bordures à arbre droit

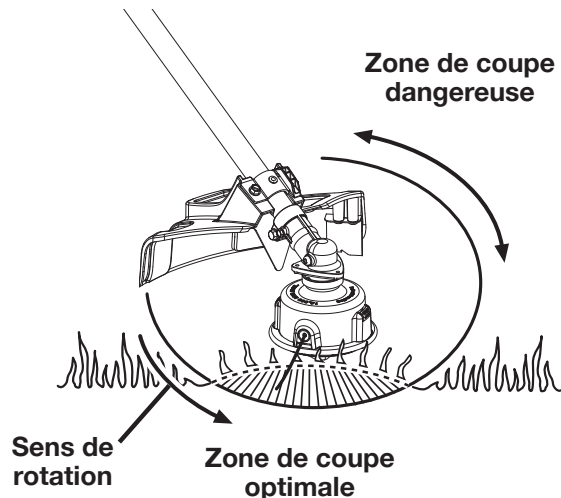


Figure 13



## Installation du fil dans la tête de coupe REEL-EASY™

Voir les figures 14 et 15.

Utiliser un fil monofilament dont le diamètre mesure 2,4 mm (0,095 po).

1. Arrêter le moteur et débrancher le fil de la bougie.
2. Couper un segment de fil d'une longueur d'environ 7,6 m (25 pi).
3. Tourner le bouton sur la tête de coupe jusqu'à ce que la ligne inscrite sur le bouton soit vis à vis des flèches situées sur le dessus de la tête de coupe.
4. Insérer l'une des extrémités du fil dans l'œillet situé de l'un des côtés de la tête de coupe et pousser le fil jusqu'à ce qu'il sorte par l'œillet situé de l'autre côté. Insérer le fil dans la tête de coupe jusqu'à ce que la partie centrale du fil se trouve à l'intérieur de la tête de coupe et que les segments de fil qui dépassent de chaque côté de la tête de coupe soient de même longueur.
5. Tout en tenant la tête de coupe à l'aide d'une main, tourner le bouton de la tête de coupe avec l'autre main afin d'enrouler le fil. Si le modèle 51958 (taille-bordures à arbre courbé) est utilisé, tourner le bouton dans le sens antihoraire. Si le modèle 51978 (taille-bordures à arbre droit) est utilisé, tourner le bouton dans le sens horaire. Enrouler le fil jusqu'à ce qu'il en demeure 203,2 mm (8 po) de chaque côté de la tête de coupe.

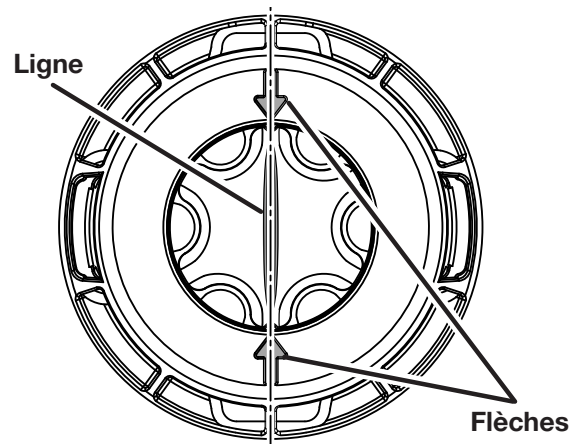


Figure 14

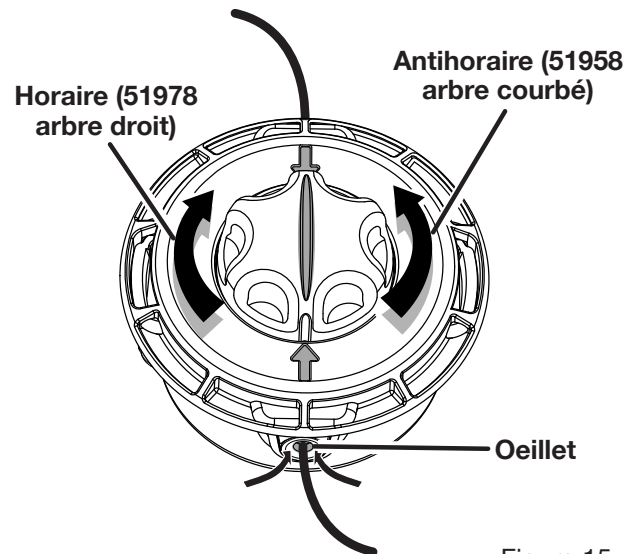


Figure 15

## Entretien

### **⚠ AVERTISSEMENT :**

Utiliser exclusivement des pièces Toro d'origine lors de l'entretien de ce produit. L'usage de toute autre pièce pourrait créer une situation dangereuse ou endommager l'outil.

### **⚠ AVERTISSEMENT :**

Porter une protection oculaire munie d'écrans latéraux certifiée conforme à la norme ANSI Z87.1 ainsi qu'une protection auditive. Ne pas suivre cette directive pourrait entraîner des blessures graves, par exemple si l'appareil projetait des objets dans vos yeux.

### **⚠ AVERTISSEMENT :**

Avant d'inspecter, nettoyer ou entretenir l'équipement, arrêter le moteur, attendre l'arrêt complet de toutes les pièces en mouvement, déconnecter le fil de la bougie et l'écartier de cette dernière. Failure to follow these instructions can result in serious personal injury or property damage.

### Entretien général

Éviter d'utiliser des solvants pour le nettoyage des pièces en plastique. La plupart des matières plastiques peuvent être endommagées par divers types de solvants du commerce. Utiliser un chiffon propre pour éliminer la saleté, la poussière, le lubrifiant, la graisse, etc.

# Entretien

## **⚠ AVERTISSEMENT :**

Ne jamais laisser de liquides tels que le fluide de freins, l'essence, les produits à base de pétrole, les lubrifiants pénétrants, etc., entrer en contact avec les pièces en plastique. Les produits chimiques peuvent endommager, affaiblir ou détruire le plastique, ce qui pourrait entraîner des blessures graves.

## Nettoyage

1. Arrêter le moteur avant de nettoyer l'outil.
2. Nettoyer l'extérieur de l'outil avec un chiffon humide.
3. Éviter d'utiliser des solvants pour le nettoyage des pièces en plastique. La plupart des matières plastiques peuvent être endommagées par divers types de solvants du commerce.
4. Essuyer ou racler la terre et les débris éventuellement accumulés sur la tête de coupe et la bobine.
5. Gratter les débris des entrées d'air latérales du couvercle-moteur.

## **AVIS :**

Garder les entrées d'air libres d'herbe et de débris pour éviter le surchauffement et l'endommagement du moteur.

## Maintenance

Vérifier le serrage de toute la boulonnerie. Si une pièce endommagée de quelque façon que ce soit, la remplacer.

## Vérification du bouchon du réservoir de carburant, réservoir et conduites

## **⚠ AVERTISSEMENT :**

Revise la herramienta para ver si tiene fugas de combustible. Una tapa del tanque de combustible, réservoir, ou conduites con fugas constituye un riesgo de incendio y debe reemplazarse inmediatamente. Si encuentra fugas, corrija el problema antes de utilizar la herramienta. De lo contrario puede producirse un incendio, con el consiguiente riesgo de lesiones serias.

Le bouchon du réservoir de carburant contient un filtre et un clapet antiretour non réparables. Un filtre à carburant colmaté nuit au bon fonctionnement du moteur. Si le fonctionnement du moteur s'améliore lorsque le bouchon est desserré, le clapet antiretour peut être défectueux ou le filtre colmaté. Si nécessaire, remplacer le bouchon de carburant.

## Nettoyage du filtre à air

Voir les figures 16 et 18.

Nettoyer le filtre à air aux intervalles prescrits dans le programme d'entretien. Pour nettoyer le filtre à air, procéder comme suit.

1. Arrêter le moteur.
2. Retirer le capuchon de la bougie.
3. Desserrer le couvercle du filtre en tournant le bouton vers la droite.
4. Retirer le couvercle du filtre à air.
5. Retirer le filtre à air.
6. Nettoyer le filtre dans de l'eau savonneuse tiède.
7. Le rincer et le laisser sécher complètement.
8. Lubrifier le filtre avec deux gouttes d'huile.
9. Remettre le filtre en place (il ne peut être installé que dans un sens).
10. Remettre le couvercle en place.
11. Serrer le couvercle du filtre en tournant le bouton vers la droite.
12. Remettre le capuchon de la bougie en place.

**Note :** Remplacer le filtre à air, aux intervalles prescrits dans le programme d'entretien.

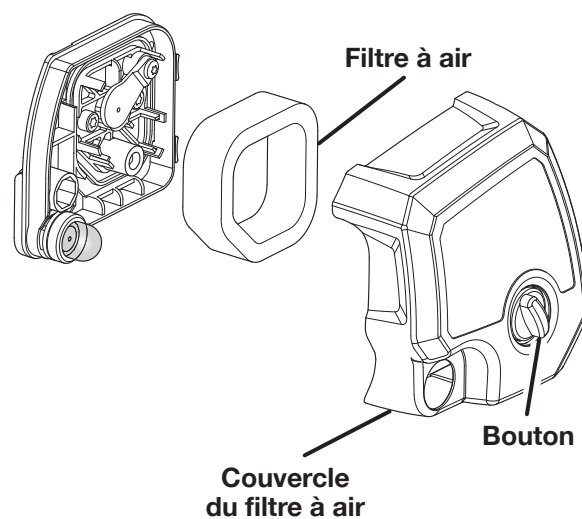


Figure 16

## Remplacement du pare-étincelles

Voir la figure 17.

## **AVIS :**

Le pare-étincelles sur ce produit n'a pas été évalué par le Service forestier des États-Unis et ne peut pas être utilisé sur des terrains forestiers des États-Unis. De plus, les utilisateurs du produit doivent respecter les réglementations locales et gouvernementales de lutte contre l'incendie. Consulter les autorités appropriées. Contacter le service à la clientèle pour acheter un pare-étincelles de rechange.



### AVERTISSEMENT :

Arrêter le moteur, retirer la coiffe de bougie et laisser refroidir le moteur et le pot d'échappement avant de remplacer le pare-étincelles. Tout contact avec un pot d'échappement ou un moteur chaud peut occasionner des brûlures ou des blessures graves.

**Note :** Suivant le type de carburant utilisé, le type et la quantité de lubrifiant et / ou les conditions de travail, l'orifice d'échappement et le silencieux peuvent se calaminer. Si un outil motorisé semble avoir perdu de la puissance, cette calamine doit être éliminée pour restaurer le fonctionnement normal. Il est vivement recommandé de confier ce travail à un technicien qualifié.

Il peut être nécessaire de nettoyer ou remplacer le pare-étincelles après un emploi prolongé. Si un remplacement est nécessaire, utiliser la pièce Toro référence 000998216.

### Pour remplacer le pare-étincelles :

1. Déposer les cinq vis qui maintiennent le couvercle.

**Note :** Pour retirer ces vis, utiliser un tournevis torx T20 et T25.

2. Retirer le couvercle.
3. Retirer les deux vis de fixation du silencieux.
4. Retirer le silencieux et son joint. Il peut être nécessaire de faire faire des mouvements de va et vient au silencieux pour le dégager de son joint.
5. Retirer couvercle du silencieux.
6. Déposer les trois vis qui maintiennent les plaques sur le silencieux.
7. Retirer le pare-étincelles.
8. Remplacer l'ancien pare-étincelles par le nouveau.
9. Remonter le silencieux en réinstallant les plaques et en serrant les trois vis [à un couple de 7 à 13 po-lb (0,79 à 1,46 Nm) maximum. Ne pas trop serrer.]

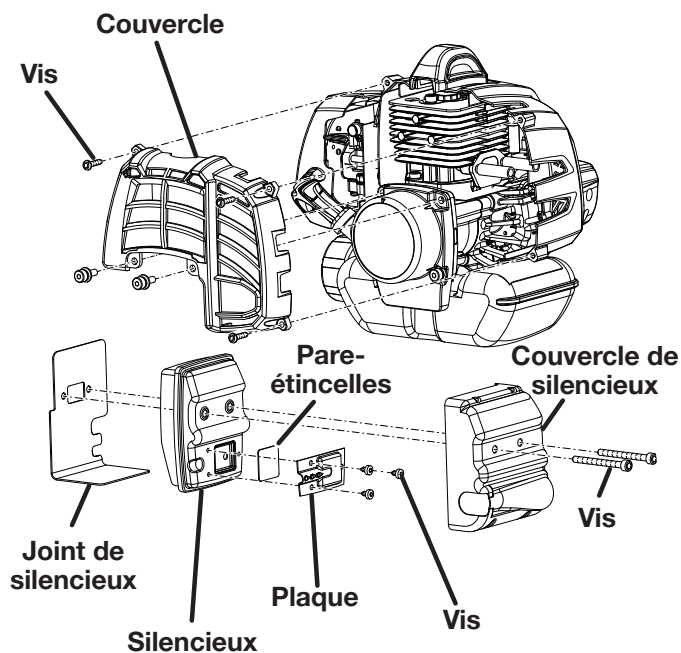


Figure 17

10. Réassembler le silencieux et le couvercle du silencieux et les fixer au joint de silencieux avec les deux vis.
11. Réinsérer l'ensemble silencieux et le fixer au moteur à l'aide de deux vis [à un couple de 60 à 80 po-lb (6,78 à 9,04 Nm) maximum. Ne pas trop serrer].
12. Réinstaller le couvercle sur l'outil et le fixer avec les cinq vis [à un couple de 16 à 22 po-lb (1,81 à 2,49 Nm) maximum. Ne pas trop serrer].

**Note :** Ne pas trop serrer les vis.

### Remplacement de la bougie

Voir la figure 18.

Tous les outils dont le numéro de modèle est inclus dans ce manuel utilisent une bougie Champion RCJ4 o RCJ6Y. La bougie doit être remplacée annuellement par une bougie identique.

1. Retirer le capuchon de la bougie.
2. Desserrer la bougie en la tournant vers la gauche, à l'aide d'une clé à douille.
3. Retirer la bougie.
4. Inspecter la nouvelle bougie. L'écartement de la bougie doit être vérifié et la bougie doit être exempte de dépôts pour que le moteur fonctionne correctement. L'écartement correct est à environ 0,64 mm (0.025 po). Pour augmenter l'écartement, si nécessaire, courber avec précaution l'électrode de terre (supérieure). Pour réduire l'écartement, taper doucement l'électrode de terre sur une surface dure.
5. Visser la nouvelle bougie à la main en la tournant vers la droite.
6. Serrer avec une clé à bougie [à un couple de 177 à 221 po-lb (20 à 24,97 Nm) maximum.] **Ne pas trop serrer.**

### AVIS :

Veiller à ne pas fausser le filetage de la bougie. Ceci endommagerait sérieusement l'outil.

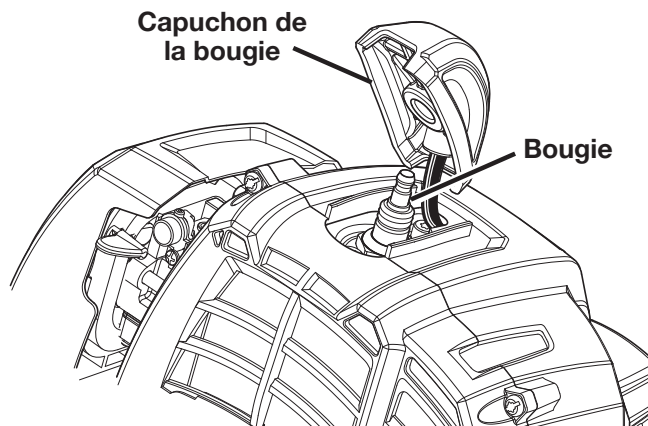


Figure 18

## Réglage du ralenti

Voir la figure 19.

### **⚠ AVERTISSEMENT :**

L'accessoire de coupe tournera lors du réglage du ralenti. Porter tous les vêtements de protection et garder les badauds, enfants et animaux à une distance de 15 m (50 pi). Faire les réglages en supportant l'outil avec les mains de manière à ce que l'accessoire de coupe/lame ne touche pas le sol ou tout autre objet. Garder toutes les parties du corps éloignées de l'accessoire de coupe et du silencieux. Le non respect des instructions de sécurité peut entraîner des blessures graves.

Si l'accessoire de coupe tourne lorsque le moteur est au ralenti, tourner la vis de ralenti du moteur. Tourner la vis de ralenti vers la gauche pour réduire le régime et arrêter la rotation de l'accessoire de coupe. Si l'accessoire de coupe continue de tourner au ralenti après avoir effectué le réglage, confier au produit à un centre de réparations et ne plus l'utiliser tant que les réparations n'ont pas été effectuées.

### **⚠ AVERTISSEMENT :**

L'accessoire de coupe ne doit jamais tourner lorsque le moteur est au ralenti. Tourner la vis de ralenti dans le sens inverse des aiguilles d'une montre pour réduire le régime de ralenti et immobiliser l'accessoire de coupe ou confier au produit à un centre de réparations, et ne pas l'utiliser tant que des réparations n'ont pas été effectuées. La rotation de l'accessoire de coupe au ralenti pourrait causer des blessures graves.

Vis de ralenti

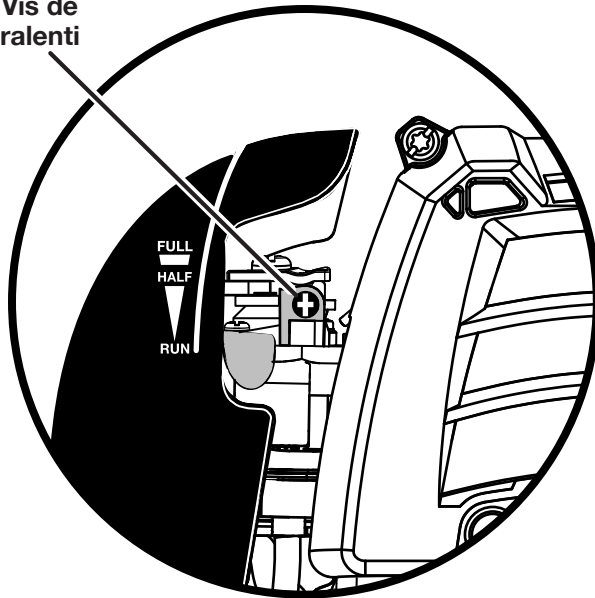


Figure 19

## Remisage

La méthode de préparation dépend de la durée du remisage de l'outil.

**Note :** Si l'outil comporte un autre accessoire, installer l'anneau de suspension sur l'extrémité i de l'arbre d'accessoire.

### **Remisage à court terme :**

Pour le remisage à court terme, procéder comme suit.

1. Nettoyer soigneusement l'outil.
2. Le remiser dans un endroit bien aéré, inaccessible aux enfants.

### **Remisage à long terme :**

Si l'outil ne doit pas être utilisé pendant plus d'un mois, utiliser la méthode de préparation au remisage ci-dessous.

Pour le remisage à long terme, procéder comme suit.

1. Vider complètement le réservoir de carburant dans un bidon ou jerrycan approuvé pour l'essence.
2. Laisser le moteur tourner jusqu'à ce qu'il cale.
3. Nettoyer soigneusement l'outil.
4. Le remiser dans un endroit bien aéré, inaccessible aux enfants.

**Note :** Garder l'outil à l'écart de produits corrosifs, tels que les produits chimiques de jardinage et le sel de dégivrage.

**Note :** Se conformer à toutes les réglementations locales et gouvernementales concernant la sécurité de la manutention et de l'entreposage de l'essence.

## Transport

Pour le transport, procéder comme suit.

1. Vidanger le mélange dans un bidon ou jerrycan approuvé pour l'essence.
2. Transporter l'outil par la poignée avant.
3. Assujettir l'outil dans le véhicule ou sur la remorque.

## Installation de la tête de coupe REEL-EASY™

Voir les figures 20 et 21.

- Arrêter le moteur et débrancher le fil de la bougie.
- Ouvrir la tête de coupe Reel-Easy en appuyant sur les loquets situés de chaque côté. La tête de coupe renferme un ressort contracté. Par conséquent, il importe de placer l'autre main sur le dessus du couvercle de la tête de coupe au moment d'appuyer sur les loquets.
- Retirer le couvercle, le bouton et la bobine de la tête de coupe et mettez-les de côté.
- Placer le logement supérieur sur l'arbre d'entraînement. S'assurer que la tête de coupe est complètement appuyée.
- Installer le boulon hexagonal dans l'ouverture de l'arbre moteur et le serrer solidement à l'aide de l'ouverture hexagonale du bouton. Si un taille-bordures à arbre courbé est utilisé, tourner le bouton dans le sens horaire pour le serrer. Si un taille-bordures à arbre droit est utilisé, tourner le bouton dans le sens antihoraire.

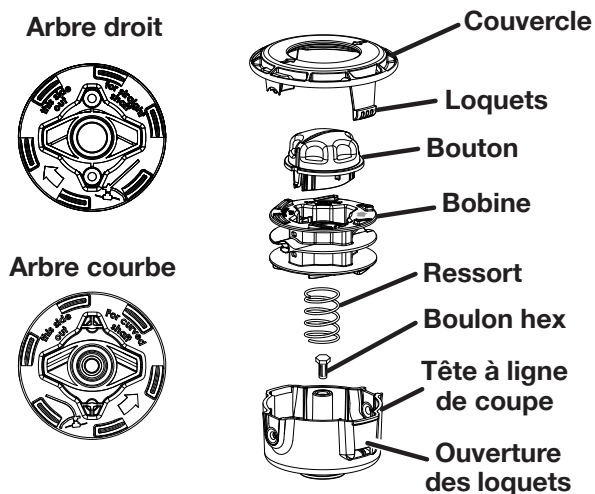


Figure 20

**Note :** N'utiliser que le bouton pour serrer le boulon. En employant d'autres types d'outils, l'utilisateur risque de trop serrer le boulon, ce qui pourrait endommager la tête de coupe.

- Si le ressort a été retiré, le replacer dans la tête de coupe et le pousser vers le bas de manière à ce qu'il soit bien appuyé.
- Réinstaller la bobine. Sur le modèle 51958, la bobine doit toujours être placée de manière à ce que le message « Ce côté vers l'extérieur sur un arbre courbé » figurant sur l'outil soit visible. Sur les modèles 51978, la bobine doit être placée de manière à ce que le message « Ce côté vers l'extérieur sur un arbre droit » figurant sur l'outil soit visible.
- Replacer le bouton dans la bobine.
- Replacer le couvercle de la tête de coupe et aligner les loquets avec les ouvertures de la tête de coupe. Appuyer le couvercle et la tête de coupe l'un sur l'autre jusqu'à ce que les loquets s'enclenchent dans les ouvertures.
- Installer le fil tel que décrit à la utilisation section du présent manuel.

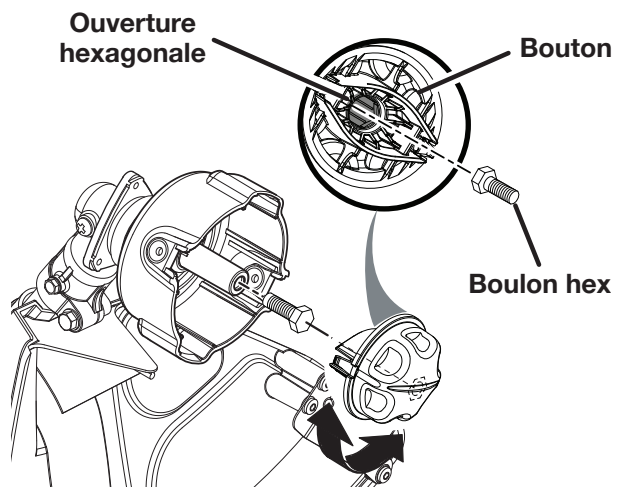


Figure 21



## Fonctionnement du moteur à haute altitude

Confier le moteur à un centre de réparations agréé si celui-ci doit être utilisé à une altitude supérieure à 609,6 m (2 000 pi). Ne pas suivre cette directive peut nuire au bon fonctionnement du moteur et augmenter les émissions. Un moteur qui a été réglé pour fonctionner à haute altitude ne peut être utilisé à 609,9 m (2 000 pi) ou moins. Ne pas respecter cette directive peut entraîner une surchauffe du moteur et l'endommager sérieusement. Veuillez confier tout moteur ayant subi des modifications en vue d'être utilisé à haute altitude à un centre de réparations agréé, qui se chargera de le reconfigurer selon les spécifications d'usine d'origine avant qu'il soit utilisé à une altitude inférieure à 609,6 m (2 000 pi).

## Ce produit a été équipé en usine d'un convertisseur catalytique

**Félicitations !** Vous venez d'investir dans la protection de l'environnement. Pour maintenir le niveau d'émissions original de ce produit, voir la section Entretien ci-dessous.

PROGRAMME D'ENTRETIEN				
Pièce d'entretien	Inspecter avant chaque utilisation n'est pas endommagé	Nettoyer toutes le 5 heures de fonctionnement	Nettoyer ou remplacer toutes les 25 heures ou chaque année	Reemplacelo cada 125 heures
* ENSEMBLE CATALYTIQUE DU SILENCIEUX.....				X
ÉCRAN PARE-ÉTINCELLES .....				X
* FILTRE À AIR				
inclut :				
Filtre .....		X		
* CARBURATEUR				
inclut :				
Joints .....	X			
* RÉSERVOIR DE CARBURANT				
inclut :				
Conduites de carburant.....	X			
Bouchon du réservoir de carburant .....	X			
Filtre à carburant .....			X	
* ALLUMAGE				
inclut :				
Bougie .....				X
*AVIS : L'UTILISATION DE DISPOSITIFS ANTIPOLLUTION AUTRES QUE CEUX CONÇUS POUR CET OUTIL REPRÉSENTE UNE VIOLATION DE LA LOI FÉDÉRALE.				



## NOUS APPELER D'ABORD

Pour toute question concernant l'utilisation ou l'entretien utiliser ce produit, appeler le service d'assistance téléphonique Toro®!

Le taille-bordures à été entièrement testé avant expédition pour assurer la complète satisfaction de l'utilisateur.

# Dépannage

Problème	Cause possible	Solution
Le moteur ne démarre pas	<ol style="list-style-type: none"> <li>1. Pas d'étincelle</li> <li>2. Pas de carburant</li> <li>3. Moteur noyé</li> <li>4. Le cordon du lanceur est plus difficile à tirer que lorsque l'outil était neuf</li> </ol>	<ol style="list-style-type: none"> <li>1. Retirer la bougie. Remettre le capuchon sur la bougie et poser cette dernière sur le cylindre métallique. Tirer le cordon du lanceur et regarder si une étincelle se produit à l'électrode de la bougie. En l'absence d'étincelle, répéter l'opération avec une bougie neuve.</li> <li>2. Actionner la poire d'amorçage jusqu'à ce qu'elle soit remplie de carburant. Si elle ne se remplit pas, le système d'alimentation en carburant est obstrué. Si la poire se remplit, il se peut que le moteur soit noyé. (Voir le paragraphe suivant).</li> <li>3. Retirer la bougie. Retourner l'outil, de façon à ce que le trou de bougie soit dirigé vers le sol. S'assurer que le levier du volet de départ est en position <b>RUN</b> (marche) et tirer le cordon du lanceur 10 à 14 fois. Ceci chasse l'excédent de carburant du moteur. Nettoyer la bougie et la remettre en place. La gâchette d'accélérateur étant serrée à fond, tirer le cordon du lanceur trois fois. Si le moteur ne démarre pas, mettre le volet de départ en position <b>FULL</b> (complètement ouvert) et suivre la procédure normale de démarrage. Si le moteur ne démarre toujours pas, installer une bougie neuve et répéter l'opération.</li> <li>4. Contacter un centre de réparations agréé.</li> </ol>
Le moteur ne parvient pas au régime maximum et dégage trop de fumée	<ol style="list-style-type: none"> <li>1. Vérifier le mélange de carburant</li> <li>2. Filtre à air encrassé</li> <li>3. Écran pare-étincelles encrassé</li> </ol>	<ol style="list-style-type: none"> <li>1. Utiliser un mélange de carburant et d'huile 2 temps correct et frais.</li> <li>2. Nettoyer le filtre à air.</li> <li>3. Nettoyer le pare-étincelles.</li> </ol>
Le système d'avance automatique de la ligne est inopérant	<ol style="list-style-type: none"> <li>1. Ligne soudée sur elle-même</li> <li>2. Pas assez de ligne sur la bobine</li> <li>3. Ligne trop courte</li> <li>4. Ligne emmêlée sur la bobine</li> <li>5. Régime moteur trop lent</li> </ol>	<ol style="list-style-type: none"> <li>1. Lubrifier avec un produit au silicone.</li> <li>2. Installer une nouvelle ligne.</li> <li>3. Tirer la ligne en appuyant sur la bobine et en la relâchant alternativement.</li> <li>4. Retirer la ligne de la bobine et la rebobiner.</li> <li>5. Faire avancer la ligne, le moteur tournant à plein régime.</li> </ol>
L'herbe s'enroule sur la tête de coupe et l'arbre d'accessoire	<ol style="list-style-type: none"> <li>1. Coupe de hautes herbes au ras du sol</li> <li>2. Utilisation de l'outil à régime partiel</li> </ol>	<ol style="list-style-type: none"> <li>1. Couper les herbes hautes du haut en bas.</li> <li>2. Utiliser l'outil à plein régime.</li> </ol>
De l'huile s'écoule de l'échappement	<ol style="list-style-type: none"> <li>1. Utilisation de l'outil à régime partiel</li> <li>2. Vérifier le mélange huile/carburant</li> <li>3. Filtre à air encrassé</li> </ol>	<ol style="list-style-type: none"> <li>1. Utiliser l'outil à plein régime.</li> <li>2. Utiliser un mélange de carburant et d'huile 2 temps correct et frais.</li> <li>3. Nettoyer le filtre à air.</li> </ol>





## Count on it.

CE PRODUIT EST FABRIQUÉ PAR TECHTRONIC INDUSTRIES NORTH AMERICA, INC., SOUS LICENCE DE THE TORO COMPANY.

Techtronic Industries North America, Inc. garantit à l'acheteur original que ce taille-bordures est exempt de tous vices de matériaux ou de fabrication et s'engage à réparer ou remplacer gratuitement, à son choix, tout produit s'avérant défectueux au cours des périodes indiquées ci-dessous, à compter de la date d'achat:

- Quatre ans pour les taille-bordures utilisés par des particuliers ou leurs familles ;
- 90 jours sur les taille-bordures utilisés à toutes autres fins, telles que les travaux commerciaux et la location.

Sauf indication contraire dans l'énoncé de garantie du système de contrôle des émissions, cette garantie ne couvre que l'acheteur au détail original et entre en vigueur à la date de l'achat original.

### Comment obtenir le service sous garantie

Toute pièce du produit fabriquée ou fournie par Techtronic Industries North America, Inc., et jugée, après évaluation raisonnable par Techtronic Industries North America, Inc., comme présentant des vices de matériaux ou de fabrication, sera réparée ou remplacée par un centre de réparations agréé, sans facturation pour pièces ou main d'oeuvre. Pour obtenir l'adresse du centre de réparations agréé le plus proche, appeler gratuitement le 866-574-9242 (États-Unis) ou le 866-574-9243 (Canada).

Le produit et toutes les pièces défectueuses devront être retournés à un centre de réparations agréé avant expiration de la période de garantie. Les frais d'expédition au centre de réparations et de retour au propriétaire après réparation ou remplacement du produit seront assumés par le propriétaire. En ce qui concerne les réclamations en garantie, la responsabilité d'Techtronic Industries North America, Inc., se limitera à la réparation ou au remplacement des produits défectueux et aucune revendication de rupture de garantie se pourra causer l'annulation ou la résiliation du contrat de vente d'un produit quel qu'il soit. Une preuve d'achat sera exigée par le centre de réparation, afin de valider toute réclamation au titre de la garantie. Toutes les réparations sous garantie devront être effectuées par un centre de réparations Techtronic Industries North America, Inc., agréé.

Cette garantie ne couvre pas les taille-bordures ayant fait l'objet d'un usage abusif ou négligent, d'un manque d'entretien, ayant été impliqués dans un accident ou employé de façon contraire aux instructions du manuel d'utilisation.

Cette garantie ne couvre ni les dommages aux taille-bordures résultant d'un entretien incorrect, ni les produits altérés ou modifiés de façon à nuire au fonctionnement, aux performances et à la durabilité ou dans le but de l'utiliser pour un usage autre que celui prévu. La garantie exclut les réparations rendues nécessaires par l'usure normale ou l'utilisation de pièces et accessoires incompatibles avec le

taille-bordures à moteur à essence ou nuisibles à son bon fonctionnement, ses performances ou sa durabilité.

En outre, cette garantie ne couvre pas les articles ci-dessous (exception faite des pièces couvertes par la garantie sur le contrôle des émissions, énoncée plus bas)

- A. Les réglages – Bougies, réglages du carburateur, filtres.
- B. Les articles consommables – Boutons d'avance par choc, bobines externes, lignes de coupe, bobines internes, poulies et cordons de lanceur, courroies d'entraînement, dents, rondelles en feutre, axes d'attelage, lames de paillage, ventilateur de soufflante, tubes de soufflage et d'aspiration, sacs à débris, guide, chaînes de scie

Techtronic Industries North America, Inc., se réserve le droit d'apporter des modifications ou améliorations à tout produit, sans obligation de modifier les produits fabriqués antérieurement.

LA DURÉE DE TOUTES LES GARANTIES IMPLICITES NE SAURAIT EN AUCUN CAS EXCÉDER LA PÉRIODE DE GARANTIE DÉCLARÉE. PAR CONSÉQUENT, TOUTES LES GARANTIES IMPLICITES, Y COMPRIS LES GARANTIES DE VALEUR MARCHANDE OU D'ADÉQUATION À UN USAGE PARTICULIER OU AUTRES SERONT INVALIDÉES À L'EXPIRATION DE LA PÉRIODE DE GARANTIE EXPRESSE DE TROIS ANS OU QUATRE-VINGT-DIX JOURS. LES OBLIGATIONS D'TECHTRONIC INDUSTRIES NORTH AMERICA, INC., DANS LE CADRE DE CETTE GARANTIE SE LIMITENT EXCLUSIVEMENT À LA RÉPARATION OU AU REMPLACEMENT DES PIÈCES DÉFECTUEUSES ET TECHTRONIC INDUSTRIES NORTH AMERICA, INC. N'ASSUME OU N'AUTORISE QUICONQUE À ASSUMER QUELQUE AUTRE OBLIGATION QUE CE SOIT. CERTAINS ÉTATS ET PROVINCES NE PERMETTANT PAS DE LIMITATION DE DURÉE DES GARANTIES IMPLICITES, LES RESTRICTIONS CI-DESSOUS PEUVENT NE PAS ÊTRE APPLICABLES.

TECHTRONIC INDUSTRIES NORTH AMERICA, INC., DÉCLINE TOUTE RESPONSABILITÉ EN CE QUI CONCERNE LES DOMMAGES DIRECTS, INDIRECTS OU AUTRES, Y COMPRIS, MAIS SANS S'Y LIMITER, LES FRAIS DE RETOUR DU TAILLE-BORDURES À UN CENTRE DE RÉPARATION AGRÉÉ ET DE RENVOI AU PROPRIÉTAIRE, DE DÉPLACEMENT D'UN TECHNICIEN, DE TÉLÉPHONE OU TÉLÉGRAMME, DE LOCATION D'UN PRODUIT SIMILAIRE PENDANT LA DURÉE DES RÉPARATIONS SOUS GARANTIE, DE DÉPLACEMENT, DE PERTES OU DOMMAGES À DES BIENS PERSONNELS, DE MANQUE À GAGNER, DE PERTE D'USAGE DU PRODUIT, DE PERTE DE TEMPS OU DE DÉRANGEMENT. CERTAINS ÉTATS ET PROVINCES NE PERMETTANT L'EXCLUSION OU LA LIMITATION DES DOMMAGES DIRECTS OU INDIRECTS, LES RESTRICTIONS CI-DESSOUS PEUVENT NE PAS ÊTRE APPLICABLES.

Cette garantie donne au consommateur des droits spécifiques, et celui-ci peut bénéficier d'autres droits, qui varient selon les états ou provinces.



**Service après-vente**

Pour tout entretien ou réparation du produit, contacter le centre de réparations agréé le plus proche. Pour obtenir l'adresse du centre de réparations agréé le plus proche, appeler gratuitement le 866-574-9242 (États-Unis) ou le 866-574-9243 (Canada).

Ce produit est fabriqué par Techtronic Industries North America, Inc., sous licence de The Toro Company.

**Techtronic Industries North America, Inc.**

P.O. Box 35 Highway 8

Pickens, SC 29671

866-574-9242 (US) or 866-574-9243 (Canada)

États-Unis



**Count on it.**

# Manual del operador

**Recortadora de hilo de eje curvo de  
431,80 mm (17 pulg.)**

Modelo 51958—314000001 en Adelante

**Recortadora de hilo de eje recto de  
457,20 mm (18 pulg.)**

Modelo 51978—314000001 en Adelante

## AVISO



No utilice combustibles E15, E20 o E85 (ni combustibles que contengan más de 10 % de etanol) con este producto. Esto constituye una violación a la ley federal, dañará la unidad y anulará la garantía.

## ALTO

Si tiene preguntas en relación con la recortadora, le suplicamos llamar al 866-574-9242 (en EE.UU.) or 866-574-9243 (en Canadá).

### ADVERTENCIA:

Para reducir el riesgo de lesiones, el usuario debe leer y comprender el manual del operador. Guarde este manual.



# LEA ESTA INFORMACIÓN

Antes de utilizar su nueva recortadora, lea las siguientes útiles sugerencias iniciales.

## Abastecimiento de combustible



### ADVERTENCIA:

La gasolina y sus vapores son extremadamente inflamables y explosivos. Para evitar graves lesiones personales y daños materiales, manipule con cuidado. Mantenga alejado de fuentes de ignición y llamas expuestas, manipule solamente en lugares abiertos, no fume y limpie todo derrame inmediatamente.

1. Obtenga un recipiente limpio aprobado para gasolina.
2. Mezcle todo el aceite para motor de dos tiempos con un galón americano de gasolina sin plomo con un octanaje de 87 (50:1).
3. Llene cuidadosamente el tanque de gasolina de la recortadora.

## Arranque enfrió y en caliente

Cuando vuelve a arrancar la recortadora y no está seguro si aún está caliente el motor, ponga la palanca del anegador en la posición “**MARCHA**” (anegador abierto) y tire del cordón del arrancador. Si el motor no arranca a los cinco tirones, consulte el apartado “Para arrancar con el motor frío”, más abajo en este manual.

## Con el motor ahogado

¿Irá a arrancar el motor? Si no arranca, es posible que esté ahogado. No se preocupe, ya que esto es fácil de corregir. Ponga la palanca del anegador en la posición “**MARCHA**” (anegador abierto). Oprima el gatillo y tire con rapidez de la cuerda del arrancador de 10 a 12 veces. Si no arranca el motor, consulte el apartado “Corrección de problemas”, más abajo en este manual, o llame en forma gratuita al 866-574-9242 (en EE. UU.) o al 866-574-9243 (en Canadá).



**Para toda pregunta relacionada con su recortadora, llámenos sin cargo al 866-574-9242 (EE.UU.) o la 866-574-9243 (Canada).**

## California - Propuesta de ley núm. 65



**ADVERTENCIA:** Este producto, su escape y otras sustancias que puedan llegar a ser aerotransportadas por su uso pueden contener sustancias químicas (incluido el plomo) reconocidas por el estado de California como causantes de cáncer, defectos congénitos y otras afecciones del aparato reproductor. *Lávese las manos después de utilizar el aparato.*

# Índice de contenido

---

Introducción .....	4
Reglas de seguridad .....	5-6
Reglas de seguridad específicas .....	6
Símbolos .....	7
Etiquetas del producto.....	8
Características .....	9-10
Especificaciones.....	9
Familiarícese con el producto.....	10
Armado .....	11-13
Desempaquetado.....	11
Lista de empaquetado .....	11
Conexión del accesorio al eje superior .....	12
Desmontaje del accesorio del eje superior.....	12
Montaje del mango delantero .....	12
Montaje del deflector de pasto .....	13
Funcionamiento.....	14-18
Usos .....	14
Abastecimiento y reabastecimiento de combustible de la recortadora .....	14
Combustibles oxigenados .....	15
Arranque de la herramienta .....	15
Apagado de la herramienta .....	15
Utilización de la recortadora.....	16
Para avanzar el hilo de corte (cabezal del hilo de reel easy) .....	17
Conseils de coupe .....	17
Instalación del cabezal del hilo REEL-EASY .....	18
Mantenimiento .....	19-23
Mantenimiento general .....	19
Limpieza de la producto .....	19
Servicio de la producto .....	19
Revisión de la tapa del tanque de combustible, tanque y conducto.....	19
Limpieza del filtro de aire.....	19
Reemplazo del parachispas.....	20
Cambio de la bujía .....	20
Ajuste de la marcha lenta.....	21
Almacenamiento del producto.....	21
Transporte del producto .....	21
Instalación del cabezal del hilo REEL-EASY .....	22
Operación del motor a altitudes elevadas .....	23
Programa de mantenimiento .....	23
Corrección de problemas .....	24
Garantía.....	25

# Introducción

---

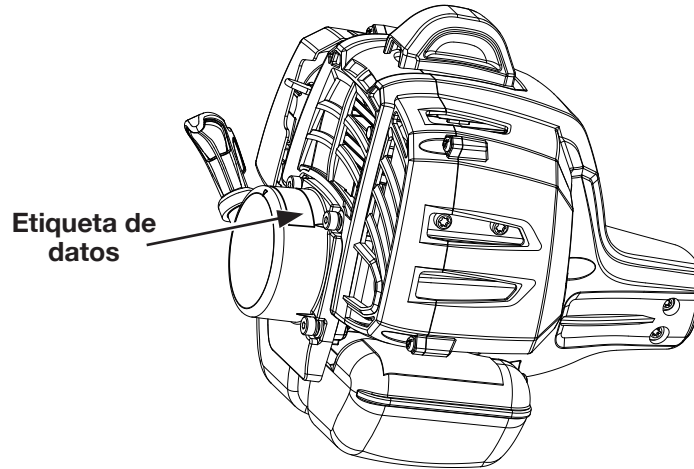
Le agradecemos la compra de un producto Toro.

Nos gustaría lograr su completa satisfacción con su nuevo producto, por lo cual le suplicamos ponerse en contacto con un establecimiento de servicio autorizado si necesita servicio, piezas Toro genuinas o cualquier información.

Siempre que se comunique con un establecimiento de servicio autorizado, tenga a la mano el número de modelo y el de serie del producto. Estos números ayudan al empleado de servicio a proporcionarle información precisa sobre su producto en particular. La calcomanía pegada en el alojamiento del motor muestra el número de modelo y el de serie de la herramienta.

Para su conveniencia, escriba el número de modelo y el de serie del producto en el espacio de abajo.

<b>Modelo</b>	
<b>Núm. de serie</b>	



Lea este manual cuidadosamente de manera que aprenda la forma correcta de manejar y dar mantenimiento a la herramienta. La lectura de este manual le ayudará a usted y a otras personas a evitar lesiones corporales y daños al producto. Aunque Toro diseña, fabrica y comercializa productos seguros y técnicamente avanzados, usted es responsable de usar el producto de manera correcta y segura. También usted es responsable de enseñar a manejar con seguridad la herramienta a quienes les permite utilizarla.

El sistema de avisos de advertencia empleado por Toro en este manual identifica posibles peligros y tiene mensajes especiales de seguridad que le ayudarán a usted y a otras personas a evitar lesiones corporales, e incluso la muerte. PELIGRO, ADVERTENCIA y PRECAUCION son palabras de aviso empleadas para identificar el nivel de peligro. No obstante, independientemente del peligro señalado, siempre tenga extremo cuidado. Dos palabras adicionales, “Importante” y “Nota”, ponen en relieve determinada información.

# Reglas de seguridad generales



## ADVERTENCIA:

Lea y comprenda todas las instrucciones. El incumplimiento de las instrucciones señaladas abajo puede causar descargas eléctricas, incendios y lesiones corporales serias.

## Lea todas las instrucciones

- Para utilizar este producto de una forma segura, lea y entienda todas las instrucciones antes de usarlo. Siga todas las instrucciones de seguridad. La inobservancia de todas las instrucciones de seguridad señaladas abajo puede causar lesiones corporales graves.
- No permita que utilicen esta unidad niños ni personas carentes de la debida instrucción para su manejo.
- No haga arrancar o funcionar el motor en un espacio confinado, de edificio, cerca de ventana abiertas, o en otro área sin ventilación donde se puedan recolectar las emanaciones de monóxido de carbono. El monóxido de carbono, un gas incoloro, inodoro y sumamente peligroso, puede causar la pérdida de la conciencia o la muerte.
- Despeje el área de trabajo cada vez antes de utilizar esta herramienta. Retire todos los objetos tales como piedras, vidrios rotos, clavos, alambre o cuerdas que pudiesen resultar lanzados o enredados en el hilo de corte o cuchilla, según sea el caso.
- Al utilizar este producto, siempre póngase protección ocular con protección lateral con la marca de cumplimiento de la norma ANSI Z87.1 junto con protección para los oídos.
- Póngase pantalones, botas y guantes gruesos. No se ponga ropa holgada o pantalones cortos, sandalias ni ande descalzo. No se ponga joyas de ninguna clase.
- La ropa protectora pesada puede aumentar la fatiga del operador, lo cual puede originar un golpe de calor. En climas cálidos y húmedos, el trabajo pesado debe programarse para las primeras horas de la mañana o las últimas horas de la tarde, cuando las temperaturas son más bajas.
- Nunca utilice esta unidad colocándola al lado izquierdo de usted.
- Recójase el cabello largo arriba del nivel de los hombros para evitar que se enrede en las piezas móviles.
- Mantenga a todas las personas presentes, niños y animales por lo menos a 15 m (50 pies) de distancia. Debe exhortarse a los circunstantes a ponerse protección para los ojos. Si alguien se aproxima mientras usted está utilizando la herramienta, apague el motor y el accesorio de corte. Si está usando un accesorio de la desbrozadora, existe el riesgo adicional de que las personas presentes sufran lesiones al ser golpeadas con la cuchilla en movimiento en caso de un contragolpe de la cuchilla u otra reacción inesperada de la sierra.
- No use esta unidad cuando se encuentre fatigado, enfermo, molesto o bajo los efectos del alcohol, drogas o medicamentos.
- No utilice este producto si no hay luz suficiente.
- Mantenga los pies bien afirmados y el equilibrio. No trate de alcanzar demasiado lejos. Al tratar de hacerlo puede perder el equilibrio o exponerse al contacto con superficies calientes.
- No utilice la unidad al estar en una escalera o en un soporte inestable. Una postura estable sobre una superficie sólida permite un mejor control de la herramienta en situaciones inesperadas.
- Mantenga todas las partes del cuerpo alejadas de toda pieza móvil.
- Para evitar tocar superficies calientes, al utilizar esta unidad nunca coloque la parte inferior de la misma arriba del nivel de la cintura.
- No toque las áreas alrededor del silenciador o del cilindro de la unidad, estas partes se calientan durante el funcionamiento.
- Siempre apague el motor y retire el cable de la bujía antes de realizar cualquier ajuste o reparaciones, excepto para los ajustes del carburador.
- Inspeccione cada vez la unidad antes de usarla para ver si tiene tornillos flojos, fugas de combustible, etc. Reemplace toda pieza dañada antes de utilizar la unidad.
- El accesorio de corte nunca debe girar en marcha lenta durante el uso normal. El accesorio de corte puede girar en marcha lenta durante los ajustes del carburador.
- Ha habido informes de que las vibraciones de las herramientas motorizadas de mano pueden contribuir, en ciertas personas, al desarrollo de una condición llamada síndrome de Raynaud. Entre los posibles síntomas está el hormigueo, el entumecimiento y la palidez de los dedos, síntomas presentes normalmente con la exposición al frío. Se cree que los factores hereditarios, la exposición al frío y a la humedad, la dieta, el fumar y las prácticas de trabajo contribuyen al desarrollo de estos síntomas. Actualmente se desconoce qué tipo de vibraciones o cuánto tiempo de exposición a las mismas, si tal es el caso, pueden contribuir a la mencionada afección. Hay medidas de precaución que puede tomar el operador para reducir posiblemente los efectos de la vibración:
  - a) Mantenga caliente el cuerpo en tiempo frío. Al utilizar la unidad use guantes para mantener calientes las manos y las muñecas. Los informes médicos indican que el clima frío es un factor importante que contribuye al síndrome de Raynaud.



- b) Después de cada período de utilización de la unidad, haga ejercicio para aumentar la circulación de la sangre.
- c) Tome descansos frecuentes durante el trabajo. Limite la cantidad de exposición al día.
- d) Mantenga la herramienta bien cuidada, con los elementos de sujeción debidamente apretados y siempre cambiando las piezas desgastadas.

Si sufre cualquiera de los síntomas propios de esta condición, de inmediato interrumpa el uso de la unidad y consulte a su doctor en lo concerniente a los mismos.

- Guarde el combustible en un recipiente aprobado para gasolina.
- Mezcle el combustible al aire libre, donde no haya chispas ni llamas. Limpie todo derrame de combustible. Aléjese por lo menos 9 m (30 pies) del sitio de

reabastecimiento de combustible antes de encender el motor. Afloje lentamente la tapa del tanque de combustible después de apagarse el motor. No fume durante el reabastecimiento.

- Apague el motor y deje que se enfríe antes del reabastecimiento de combustible o de guardar la unidad.
- Deje enfriar el motor; vacíe el contenido del tanque de combustible en un recipiente aprobado para combustible e inmovilice la unidad antes de transportarla en un vehículo.
- Póngase equipo de protección y observe todas las instrucciones de seguridad. Para los productos equipados de embrague, asegúrese de que el accesorio de corte deje de girar al tenerse el motor en marcha lenta. Al apagar la unidad, asegúrese de que el accesorio de corte se haya detenido antes de dejarla en reposo.

## Reglas de seguridad específicas

---

### Reglas de seguridad específicas para el uso de la recortadora




- Inspeccione el producto cada vez antes usarlo. Reemplace toda pieza dañada. Asegúrese de que todos los tornillos y demás elementos de unión estén en lugar y bien firmes. Revise la herramienta para ver si tiene fugas de combustible.
- Reemplace el cabezal del hilo si estuviese agrietado, astillado o dañado de alguna manera. Asegúrese de que el cabezal del hilo, o cuchilla, según sea el caso, esté debidamente instalado y firmemente asegurado. La inobservancia de esta advertencia puede causar lesiones corporales serias.
- Asegúrese de que todas las protecciones, correas, deflectores y mangos estén firme y correctamente instalados.
- Nunca use hojas, dispositivos móviles, alambre ni cuerdas. Use solamente el hilo de repuesto del fabricante

en el cabezal de corte. No use ningún otro aditamento de corte. Instalar cualquier otra marca de hilo de corte en esta recortadora de hilo puede producir lesiones corporales serias.








- Nunca utilice la unidad si el deflector de césped no está en posición y en buenas condiciones de funcionamiento.
- Sujete firmemente ambos mangos al estar recortando. Mantenga el cabezal del hilo por debajo del nivel de la cintura. Nunca corte con el cabezal del hilo a más de 762 mm (30 pulg.) del suelo.
- Este producto está diseñado para ser empleado con poca frecuencia por los propietarios de casas y otros usuarios ocasionales para aplicaciones generales, como recortar vegetación tupida o rala, etc. No es para uso prolongado. Los períodos prolongados de manejo de la unidad pueden causar problemas circulatorios en las manos del operador debido a la vibración. Para tal uso puede convenir utilizar una sierra dotada de características de antivibración.

# Símbolos

Las siguientes palabras de señalización y sus significados tienen el objeto de explicar los niveles de riesgo relacionados con este producto.

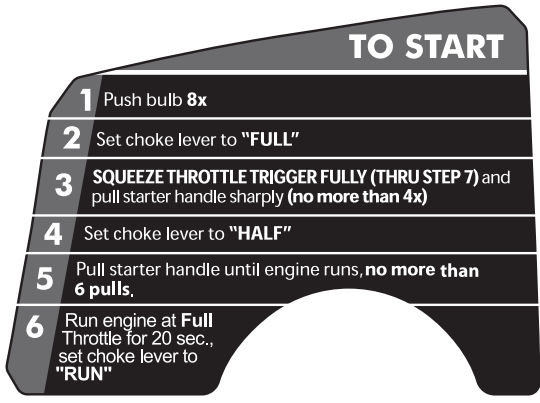




Símbolo	Señal	Significado
	<b>PELIGRO:</b>	Indica una situación peligrosa inminente, la cual, si no se evita, causará la muerte o lesiones serias.
	<b>ADVERTENCIA:</b>	Indica una situación peligrosa posible, la cual, si no se evita, podría causar la muerte o lesiones serias.
	<b>PRECAUCIÓN:</b>	Indica una situación peligrosa posible, la cual, si no se evita, podría causar lesiones menores o leves.
	<b>AVISO:</b>	(Sin el símbolo de alerta de seguridad) Indica información importante no relacionada con ningún peligro de lesiones, como una situación que puede ocasionar daños físicos.

Es posible que se empleen en este producto algunos de los siguientes símbolos. Le suplicamos estudiarlos y aprender su significado para mayor seguridad al manejar este producto.

Símbolo	Nombre	Explicación
	Símbolo de alerta de seguridad	Indica un peligro posible de lesiones personales.
	Lea manual del operador	Para reducir el riesgo de lesiones, el usuario debe leer y comprender el manual del operador antes de usar este producto.
	Póngase protección para los ojos y los oídos	Siempre utilice protección ocular con protección lateral con la marca de cumplimiento de la norma ANSI Z87.1, como así también protección auditiva cuando utilice este equipo.
	Mantenga alejadas a las personas presentes	Mantenga alejados a los observadores a un mínimo de 15 m (50 pies) de distancia.
	Rebote	Les objets projetés peuvent ricocher et infliger des blessures ou causer des dommages matériels.
	No instale hoja de corte	Ne jamais utiliser une lame quelconque sur un outil portant ce symbole.
	Gasolina y aceite	Use gasolina sin plomo destinada para vehículos con un octanaje de 87 [(R + M) / 2] o más. Este producto está impulsado por un motor de dos tiempos y utiliza una mezcla de gasolina y lubricante para motor de dos tiempos.

# Etiquetas del producto

Las etiquetas e instrucciones del producto son fácilmente visibles al operador, y están situadas cerca de cualquier área de posible peligro. Reemplace toda etiqueta dañada o faltante.

<p>Núm. pieza 940686148</p> 	<p>Núm. pieza 940864003</p>  <p>ENC.      APAG.</p>
<p>Núm. pieza 940657034</p> 	<p>Núm. pieza 940657032</p> 
<p>Núm. pieza 940865001</p> 	

# Características

---

## Especificaciones

Nombre	Especificación
Motor	25,4 cc, de biela grande
Ancho de corte	
Modelo 51958	43,2 cm (17 pulg.)
Modelo 51978	45,7 cm (18 pulg.)
Diámetro del hilo	2,4 mm (0,095 pulg.)
Peso	
Modelo 51958	5,3 kg (11,6 lb.)
Modelo 51978	5,6 kg (12,5 lb.)

## Familiarícese con su producto

Vea la figura 1.

Para usar este producto con la debida seguridad se debe comprender la información indicada en la herramienta misma y en este manual, y se debe comprender también el trabajo que intenta realizar. Antes de usar este producto, familiarícese con todas las características de funcionamiento y normas de seguridad del mismo, que aparecen en este manual y en los manuales del operador de todos los accesorios que utiliza en este cabezal motor.

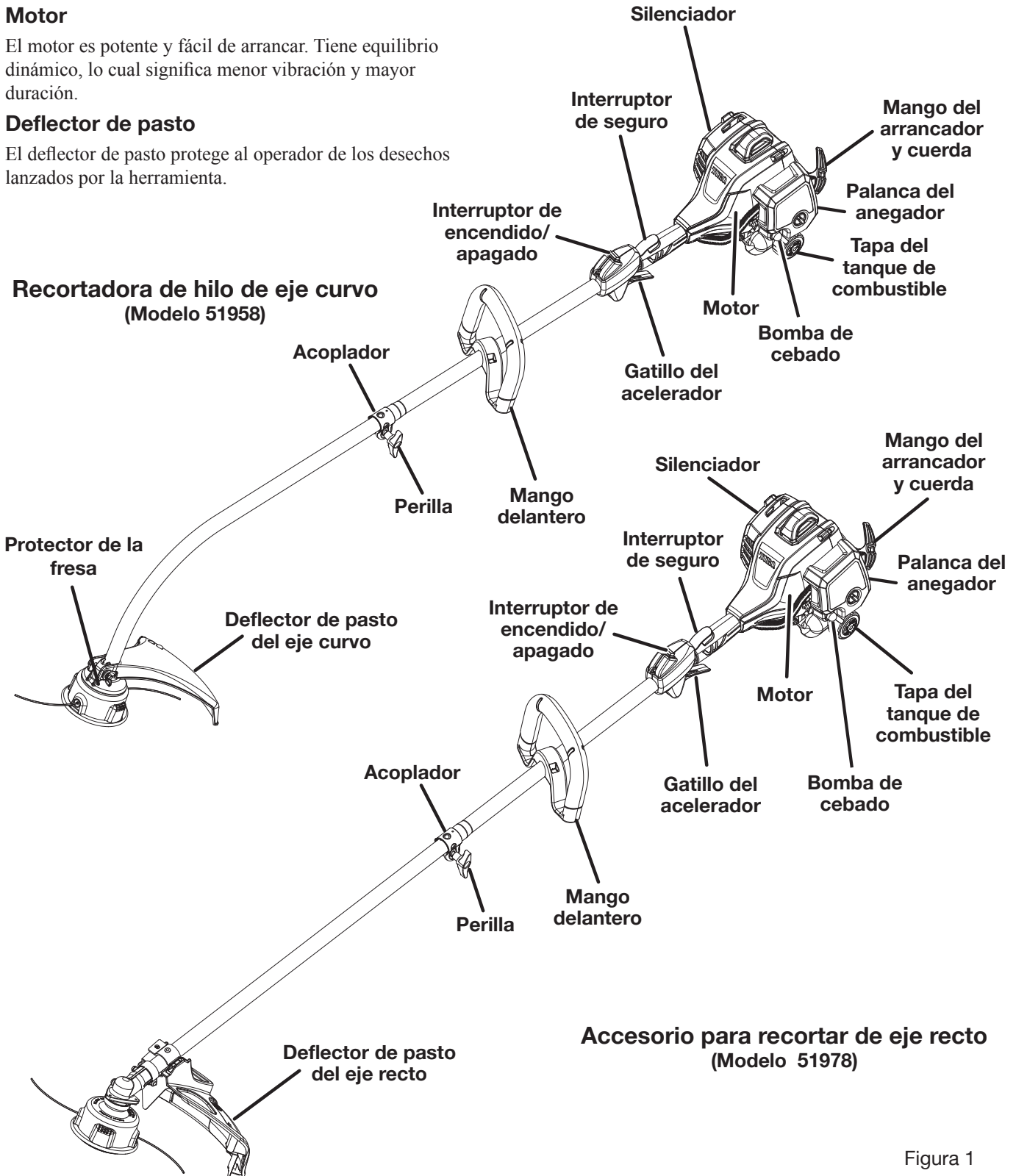
### Motor

El motor es potente y fácil de arrancar. Tiene equilibrio dinámico, lo cual significa menor vibración y mayor duración.

### Deflector de pasto

El deflector de pasto protege al operador de los desechos lanzados por la herramienta.

### Recortadora de hilo de eje curvo (Modelo 51958)



### Protector de la fresa

El protector de la fresa evita que el césped se envuelva alrededor del eje de la podadora.

### Diseño ergonómico

El diseño del producto permite un fácil manejo del mismo. El diseño brinda una sujeción cómoda y fácil para el trabajo en diferentes posiciones y ángulos.

### Accesorio para recortar de eje recto (Modelo 51978)

Figura 1

# Armado

## Desempaquetado

Este producto requiere armarse.

- Extraiga cuidadosamente de la caja la producto y los accesorios. Asegúrese de que estén presentes todos los artículos enumerados en la lista de empaquetado.

### **ADVERTENCIA:**

No utilice este producto si alguna pieza incluida en la lista de empaquetado ya está ensamblada al producto cuando lo desempaqueta. El fabricante no ensambla las piezas de esta lista en el producto. Éstas deben ser instaladas por el usuario. El uso de un producto que puede haber sido ensamblado de forma inadecuada podría causar lesiones personales graves.

- Inspeccione cuidadosamente la producto para asegurarse de que no haya sufrido ninguna rotura o daño durante el transporte.
- No deseche el material de empaquetado hasta que haya inspeccionado cuidadosamente la producto y la haya utilizado satisfactoriamente.
- Si hay piezas dañadas o faltantes, le suplicamos llamar al 866-574-9242 (en EE.UU.) o al 866-574-9243 (en Canadá), donde le brindaremos asistencia.

## Lista de empaquetado

51958 Recortadora de hilo de eje curvo

Eje superior (cabezal motor)

Conjunto de la recortadora

Mango delantero

Deflector de pasto del eje curvo

Lubricante

Tapa de almacenamiento

Manual del operador

51978 Recortadora de hilo de eje recto

Eje superior (cabezal motor)

Conjunto de la recortadora

Mango delantero

Deflector de pasto del eje recto

Lubricante

Tapa de almacenamiento

Manual del operador

### **ADVERTENCIA:**

Si falta o está dañada alguna pieza, no utilice este producto sin haber reemplazado la pieza. Usar este producto con partes dañadas o faltantes puede causar lesiones serias al operador.

### **ADVERTENCIA:**

No intente modificar este producto ni hacer accesorios no recomendados para la misma. Cualquier alteración o modificación constituye maltrato el cual puede causar una condición peligrosa, y como consecuencia posibles lesiones corporales serias.

### **ADVERTENCIA:**

Para evitar un arranque accidental que podría causar lesiones corporales graves, siempre desconecte el cable de la bujía del motor de la bujía misma al ensamblar las piezas.

## Conexión del accesorio al eje superior

Vea la figura 2.

### **⚠ ADVERTENCIA:**

Nunca una ni ajuste ningún aditamento, desmontar o mientras esté funcionando el cabezal motor. Si no apaga el motor puede causarse lesiones serias a sí mismo y a otras personas. Nunca opere cabeza motor sin ningún archivo aditamento. Nunca opere el cabezal motor sin un accesorio.

### **⚠ ADVERTENCIA:**

Asegúrese de que esté bien apretada la perilla antes de utilizar el equipo; verifique periódicamente el apriete de la misma durante el uso para evitar lesiones corporales graves.

El aditamento se conecta al cabezal motor mediante un dispositivo acoplador. Para conectar el accesorio al eje superior siga estos pasos.

1. Apague el motor y desconecte el cable de la bujía.
  2. Afloje la perilla girándola hacia la izquierda.
  3. Retire la tapa del extremo del eje del accesorio.
  4. Oprima el botón situado en el eje del aditamento. Alinee el botón con el hueco guía situado en el acoplador del cabezal motor, y con un movimiento de deslizamiento una los dos ejes. Gire el eje del aditamento hasta que el botón quede asegurado en el orificio de posicionamiento.
- Nota:** Si el botón no brota completamente en el orificio de posicionamiento, significa que los ejes no están bien asegurados en su lugar. Gire levemente los ejes de un lado a otro hasta que el botón quede asegurado en su lugar.
5. Apriete la perilla firmemente girándola hacia la derecha.

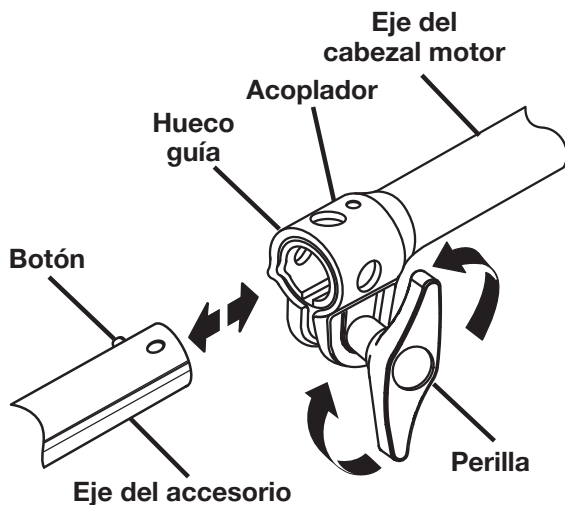


Figura 2

## Desmontaje del accesorio del eje superior

Vea la figura 2.

Para desmontar el accesorio del eje superior, siga estos pasos.

1. Apague el motor y desconecte el cable de la bujía.
2. Afloje la perilla girándola hacia la izquierda.
3. Oprima el botón al mismo tiempo que extrae el accesorio.

## Montaje del mango delantero

Vea la figura 3.

Para montar el mango delantero realice los siguientes pasos.

1. Presione el mango delantero de la parte superior de la sección superior del eje y llévelo a la posición que indica la flecha del eje, inclinando el mango en dirección al gatillo acelerador.
2. Coloque el mango dentero en el eje superior en una posición que permita un manejo cómodo de la herramienta.
3. Inserte el orejeta de mango en la ranura del mango delantero.
4. Alinee el orificio del mango delantero con el orificio del soporte del mango.
5. Haga pasar los pernos por los orificios de mango delantero y soporte del mango. Asegure el mango en su lugar mediante la tuerca de mariposa.

**Note:** No cubra ninguna porción de la etiqueta de advertencia con el mango delantero.

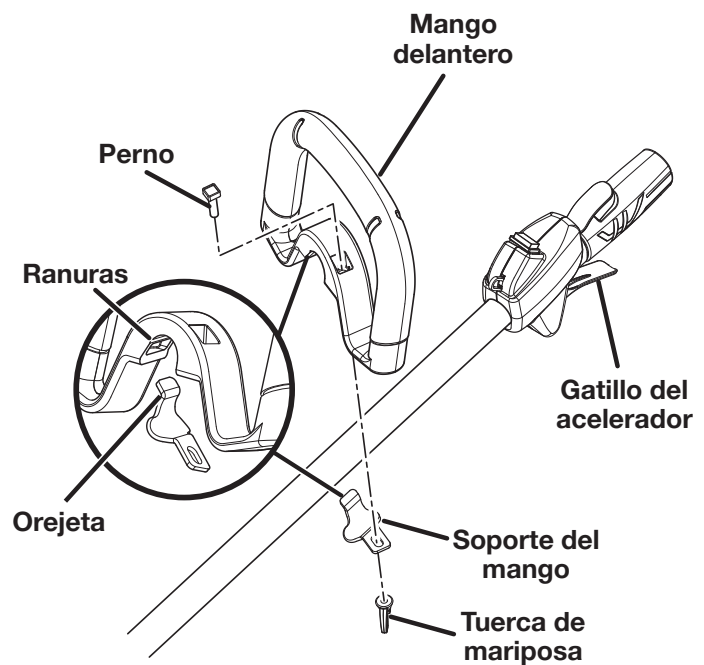


Figura 3



## Montaje del deflector de pasto

El montaje del deflector de pasto difiere según sea el tipo de recortadora: de eje curvo o de eje recto.

### **⚠ ADVERTENCIA:**

La hoja de corte en línea del deflector de césped es filosa. Evite el contacto. De no hacerlo, se pueden provocar lesiones personales de gravedad.

### **⚠ ADVERTENCIA:**

Siempre adjunte el deflector de césped antes de accionar la recortadora. De no hacerlo, cualquier residuo que hubiera puede volar en dirección al operador y ocasionar lesiones de gravedad.

## Para montar el deflector de pasto del eje curvo

(Modelo 51958)

Vea la figura 4.

Para montar el deflector de pasto del eje curvo siga estos pasos.

1. Apague el motor y desconecte el cable de la bujía.
2. Quite el tornillo de cabeza hexagonal y la tuerca de mariposa del deflector de pasto.
3. Monte el deflector de pasto en la parte inferior del eje curvo, como se muestra.
4. Introduzca el tornillo de cabeza hexagonal a través del deflector de pasto.
5. Coloque la tuerca de mariposa o hexagonal y gírela hacia la derecha para asegurarla.

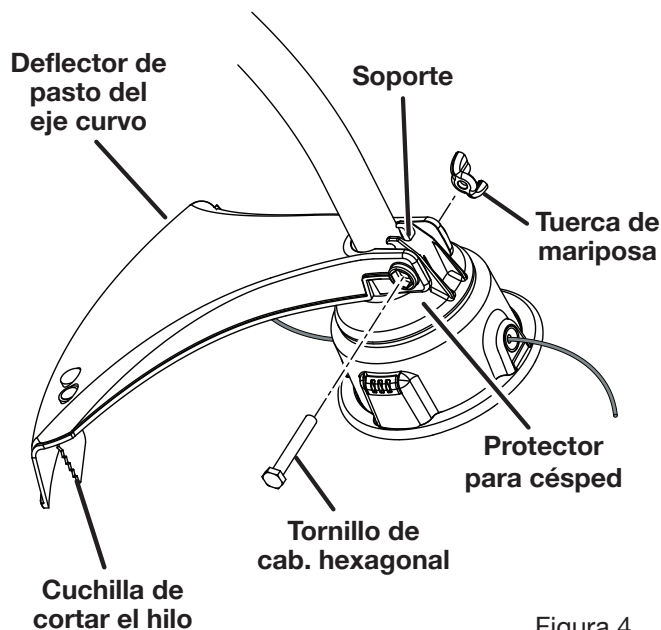


Figura 4

## Para montar el deflector de pasto del eje recto

(Modelo 51978)

Vea la figura 5.

Para montar el deflector de pasto del eje recto siga estos pasos.

1. Apague el motor y desconecte el cable de la bujía.
2. Retire el perno ranurada del deflector de pasto.
3. Introduzca la orejeta del soporte de montaje en la ranura del deflector de pasto.
4. Alinee el orificio del tornillo en el soporte de montaje con orificio del tornillo del deflector de pasto.
5. Introduzca el perno ranurada a través del soporte de montaje y en el deflector de pasto.
6. Apriete firmemente el perno de mariposa usando una destornillador de hoja plana or llave de 5/16 pulg.

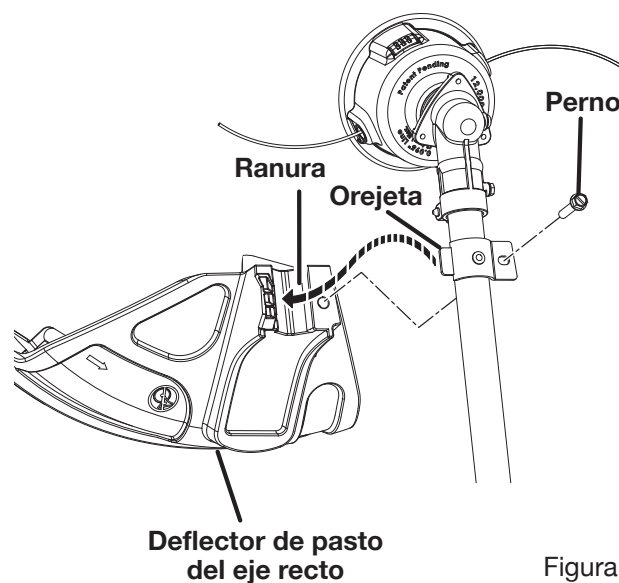


Figura 5

# Funcionamiento

## **⚠️ ADVERTENCIA:**

No permita que su familiarización con este producto le vuelva descuidado. Tenga presente que un descuido de un instante es suficiente para infligir una lesión grave.

## **⚠️ ADVERTENCIA:**

Use siempre protección ocular con protección lateral con la marca de cumplimiento de la norma ANSI Z87.1 junto con protección auditiva. La inobservancia de esta advertencia puede causar el lanzamiento de objetos hacia los ojos y otras lesiones graves.

## **⚠️ ADVERTENCIA:**

Nunca utilice cuchillas, mayales, alambres ni cuerdas en este producto. No utilice ningún aditamento o accesorio no recomendado por el fabricante de este producto. El empleo de aditamentos o accesorios no recomendados podría causar lesiones serias.

## **AVISO:**

El parachispas que acompaña a este producto no ha sido evaluado por el Servicio Forestal del Departamento de Agricultura de EE. UU. y no se puede usar en terrenos forestales de EE. UU. Además, los usuarios del producto deben cumplir con los reglamentos de prevención de incendios locales, estatales y federales. Consulte a las autoridades que correspondan. Póngase en contacto con el servicio al cliente para comprar un parachispas de repuesto.

## Usos

Utilice este producto para los siguientes usos:

- Corte de pasto, hierba y maleza baja delgada
- Recorte de bordes de pasto a lo largo de aceras y de caminos de entrada

## Abastecimiento y reabastecimiento de combustible de la recortadora

## **⚠️ ADVERTENCIA:**

La gasolina y sus vapores son extremadamente inflamables y explosivos. Para evitar graves lesiones personales y daños materiales, manipule con cuidado. Mantenga alejado de fuentes de ignición y llamas expuestas, manipule solamente en lugares abiertos, no fume y limpie todo derrame inmediatamente.

## Mezcla de combustible

Este producto está accionado por un motor de 2 tiempos y requiere el premezclado de gasolina y lubricante para motor de dos tiempos. Mezcle previamente gasolina sin plomo y lubricante para motores de 2 tiempos en un recipiente y de uso aprobado para gasolina. NO mezcle más producto del que pueda utilizar en un período de 30 días.

Combustible recomendado: El motor está certificado para funcionar con gasolina sin plomo destinada para uso automotor.

**Nota:** Le recomendamos que utilice el lubricante sintético de alta calidad para motores de 2 tiempos en este producto. Mezcle a razón de 76 ml (2.6 oz.) por galón (EE. UU.).

No use lubricante de uso automotor ni lubricante para motores fuera de borda de 2 tiempos.

### LUBRICANTE DE ALTA CALIDAD PARA MOTOR DE DOS TIEMPOS



GASOLINA	LUBRICANTE
3,8 litro [1,0 galón (US)]	76 ml (2,6 onzas)
9,5 litro [2,5 galón (US)]	189 ml (6,4 onzas)

## Llenado del tanque

1. Limpie la superficie alrededor de la tapa del tanque de combustible para evitar toda contaminación.
2. Afloje la tapa del tanque de combustible lentamente girándola en sentido contrario a las agujas del reloj. Apoye la tapa sobre una superficie limpia.
3. Vierta cuidadosamente el combustible en el tanque. Evite los derrames.
4. Antes de volver a colocar la tapa del tanque de combustible, limpie e inspeccione la junta.
5. Vuelva a colocar inmediatamente la tapa del tanque de combustible y apriétela a mano girándola en el sentido de las agujas del reloj. Limpie todo posible derrame de combustible.
6. Aléjese por lo menos 30 pies (9 m) del sitio de reabastecimiento de combustible antes de encender el motor.

**Nota:** Es normal que salga humo de un motor nuevo después de usarlo por primera vez.

## **⚠️ ADVERTENCIA:**

Siempre apague el motor antes de abastecer el combustible. Nunca agregue combustible a una máquina con el motor en marcha o caliente. Aléjese por lo menos 30 pies (9 m) del sitio de reabastecimiento de combustible antes de encender el motor. No fume y permanezca alejado de las llamas expuestas y las chispas. La manipulación insegura del combustible puede producir lesiones graves.

## Combustibles oxigenados

### AVISO:

No utilice combustibles E15, E20 o E85 (ni combustibles que contengan más de 10 % de etanol) con este producto. Esto constituye una violación a la ley federal, dañará la unidad y anulará la garantía.

No están cubiertos en la garantía los problemas de desempeño o daños al sistema de combustible producidos por el uso de un combustible oxigenado con un contenido superior a los porcentajes de alcohol o compuesto de éter señalados abajo.

**Etanol.** Las gasolinas con un contenido de 10% de etanol por volumen (comunmente conocida como E10) es aceptables. **Las gasolinas E15, E20 y E85 no lo son.**

## Arranque de la herramienta

Vea las figuras 6 y 7.

El arranque de la herramienta difiere según si el motor está frío o caliente. Vea la etiqueta pegada en la tapa del filtro de aire.

### Para arrancar con el motor frío:

Para arrancar con el motor frío siga estos pasos.

1. Deposite la herramienta en una superficie plana descubierta.
2. Oprima y suelte siete veces aproximadamente la bomba de cebado.
3. Coloque la palanca del anegador en la posición **“FULL CHOKE”** (anegación máxima).
4. Presione el interruptor de seguro y apriete el gatillo acelerador a fondo (hasta el paso 7) y jale del mango de arranque firmemente hasta que el motor trate de arrancar (no más de 4 veces).
5. Ponga la palanca del anegador en la posición **“HALF CHOKE”** (anegación media).
6. Tire del mango del arrancador hasta que empiece a funcionar el motor, no tire más de seis (6) veces.
7. Coloque la palanca del anegador en la posición **“RUN”** (funcionamiento).

**Nota:** En entornos más fríos, pueden necesitarse más tirones del mango del arrancador, con la palanca en la posición de **“FULL”** (anegación máxima).

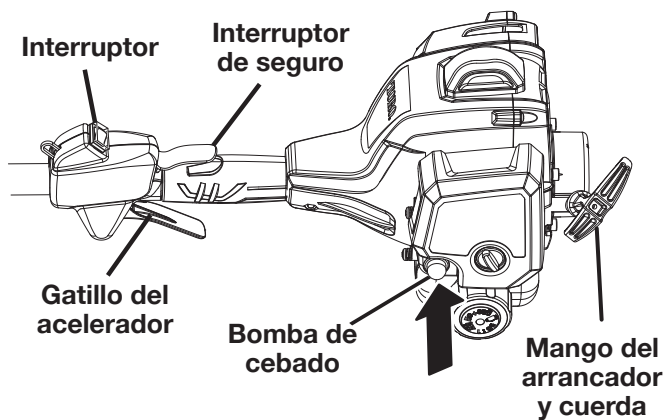
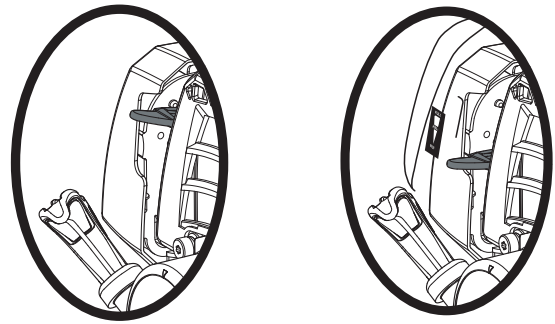


Figura 6



Ponga el anegador en **“FULL”**

Ponga el anegador en **“RUN”**

Figura 7

### Para arrancar con el motor caliente:

Para arrancar con el motor caliente siga estos pasos.

1. Deposite la herramienta en una superficie horizontal descubierta.
2. Oprima y suelte hasta ocho veces la bomba de cebado.
3. Ponga la palanca del anegador en la posición **“RUN”** (funcionamiento).
4. Presione el interruptor de seguro y apriete el gatillo acelerador a fondo, jale del cable de arranque.

**Nota:** Si la unidad no arranca, repita los pasos previos.

## Apagado de la herramienta

Vea la figura 8.

Para apagar la herramienta siga estos pasos.

1. Suelte el gatillo.
2. Oprima y no suelte el interruptor de encendido/apagado (STOP) la posición hasta que pare el motor. El interruptor regresará automáticamente a la posición « I » al soltarlo

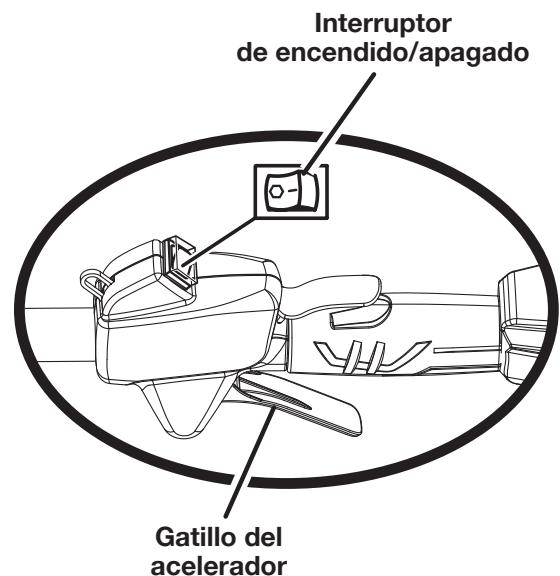


Figura 8

## Utilización de la recortadora

La utilización de la recortadora es diferente, según esté usándose la de eje curvo o la de eje recto.



### ADVERTENCIA:

Es posible que la carcasa del motor se caliente mientras la recortadora de hilo esté en uso. No apoye ni coloque el brazo, la mano ni ninguna parte del cuerpo contra la carcasa del motor mientras la recortadora esté en uso. Sólo sostenga la recortadora como se muestra en la figura 9 y 10 con todas las partes del cuerpo alejadas de la carcasa del motor. El contacto prolongado con la carcasa del motor puede causar quemaduras u otras lesiones.



### ADVERTENCIA:

Siempre coloque la unidad al lado derecho de usted. Si se utiliza la unidad colocándola en el lado izquierdo del cuerpo, el usuario expone éste a superficies calientes, lo cual puede causar lesiones por quemadura.



### ADVERTENCIA:

Para evitar quemaduras causadas por tocar superficies calientes, al utilizar esta unidad nunca coloque la parte inferior de la misma arriba del nivel de la cintura.

### Para utilizar la recortadora de eje curvo (Modelo 51958)

Vea la figura 9.

Para utilizar la recortadora de eje curvo estos pasos.

1. Arranque la recortadora.
2. Sujete la recortadora al nivel de la cintura con la mano derecha en el gatillo del acelerado y la izquierda en el delantero.
3. Coloque la herramienta al lado derecho del cuerpo con el motor atrás y alejada del cuerpo.
4. Recorte el pasto y las hierbas con un movimiento de derecha a izquierda, con el hilo paralelo al suelo.

### POSICIÓN CORRECTA PARA EL MANEJO DE LA HERRAMIENTA



Figura 9

### Para utilizar la recortadora de eje recto (Modelo 51978)

Vea la figura 10.

Para utilizar la recortadora de eje recto siga estos pasos.

1. Arranque la recortadora.
2. Sujete la recortadora al nivel de la cintura con la mano derecha en el gatillo del acelerado y la izquierda en el delantero.
3. Coloque la herramienta al lado derecho del cuerpo con el motor atrás y alejada del cuerpo.
4. Recorte el pasto y las hierbas con un movimiento de derecha a izquierda, con el hilo paralelo al suelo.

### POSICIÓN CORRECTA PARA EL MANEJO DE LA HERRAMIENTA



Figura 10

## Para avanzar el hilo de corte

Vea la figura 11.

El avance del hilo se controla golpeando levemente el cabezal del hilo contra el pasto mientras el motor funciona a la máxima aceleración.

1. Haga funcionar el motor a la máxima aceleración.
2. Golpee el perilla sobre el suelo para hacer avanzar el hilo. El hilo avanza cada vez que se golpea sobre el suelo el retén del carrete. No mantenga el perilla sobre el suelo.

**Nota:** La cuchilla de cortar el hilo montada en el deflector de pasto corta el hilo a la longitud correcta.

**Nota:** Si el hilo se gasta hasta quedar muy corto quizá no pueda avanzar el hilo tras golpear el cabezal contra el suelo. Si así fuera, apague el motor y avance manualmente el hilo.

**Para avanzar manualmente el hilo de corte:**

1. Apague el motor y desconecte el cable de la bujía.
2. Empuje hacia adentro el perilla mientras tira del hilo, o hilos, según sea el caso, para avanzar manualmente el hilo.

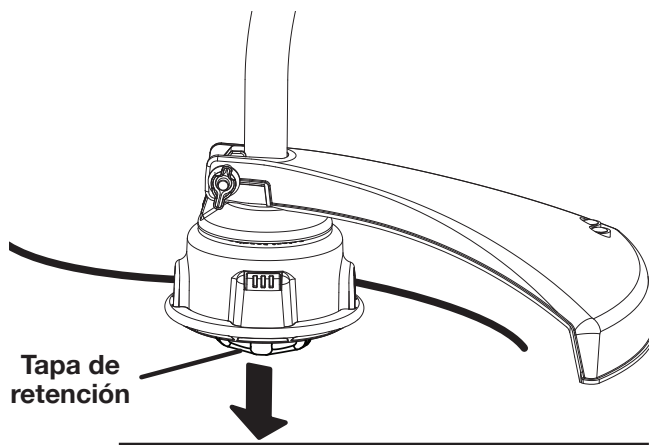


Figura 11

## Conseils de coupe

Vea las figuras 12 y 13.

1. Evite tocar las superficies calientes de la herramienta; para ello, manténgala lejos del cuerpo. (La posición correcta de manejo de la herramienta se muestra en la figura 9 y 10.)
2. Mantenga la recortadora inclinada hacia el área de corte; ésta es el área óptima de corte.
3. La recortadora de eje curvo corta al pasarla de derecha a izquierda. La cortadora de eje recto corta a pasarla de izquierda a derecha. De esta manera se evita el lanzamiento de desechos hacia el operador. Evite cortar en el área peligrosa mostrada en las figuras 12 y 13.

4. Use la punta del hilo para efectuar el recorte; no fuerce el cabezal del hilo hacia la hierba sin cortar.
5. Las cercas de alambre y de estacas causan desgaste adicional en el hilo, incluso la ruptura del mismo. Los muros de piedra y de ladrillo, los cordones y la madera pueden gastar rápidamente el hilo.
6. Evite tocar árboles y arbustos. La corteza de los árboles, las molduras de madera, los revestimientos de las paredes y los postes de las cercas pueden resultar dañados fácilmente por el hilo.

### Recortadora de hilo de eje curvo

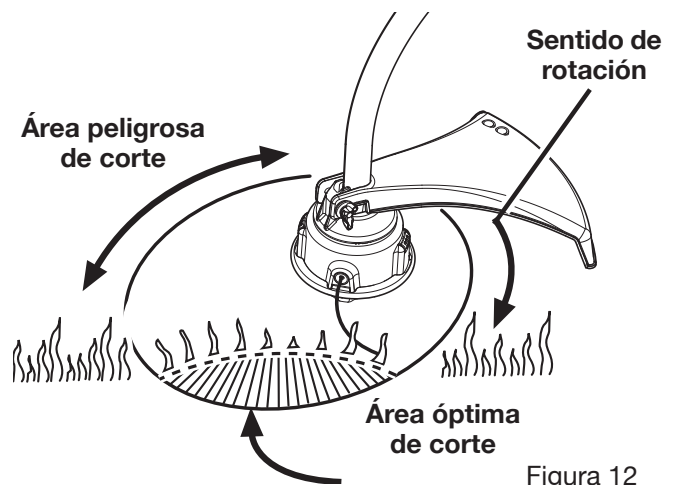


Figura 12

### Accesorio para recortar de eje recto

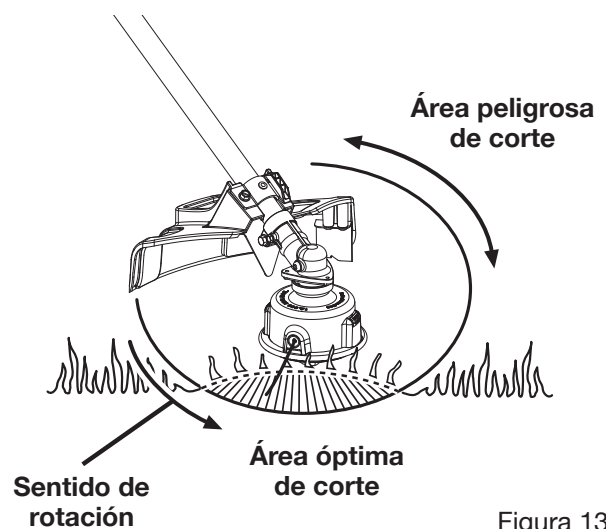


Figura 13



## Instalación del hilo en el cabezal del hilo REEL-EASY™

Veá las figuras 14 y 15.

Use un hilo monofilar de 2,4 mm (0,095 pulg.) de diámetro.

1. Apague el motor y desconecte el cable de la bujía.
2. Corte una pieza de hilo de aproximadamente 7,6 m (25 pies) de largo.
3. Gire la perilla en el cabezal del hilo hasta que la línea de la perilla quede alineada con las flechas en la parte superior del cabezal del hilo.
4. Inserte un extremo de la línea en la abertura situada en alguno de los laterales del cabezal del hilo y ejerza presión hasta que la línea atraviese la abertura del otro lado. Continúe empujando el hilo a través del cabezal del hilo hasta que su sección media esté dentro del cabezal del hilo y que el hilo que quedó fuera del cabezal del hilo esté dividido uniformemente a cada lado.
5. Mientras sostiene el cabezal con una mano, gire la perilla del cabezal para enroscar la línea con la otra mano. Si está usando el modelo 51958 (eje curvo), la perilla se debe girar en sentido contrario a las agujas del reloj. Si está usando el modelo 51978 (eje recto), la perilla se debe girar en el sentido de las agujas del reloj. Enrosque la línea hasta que sobresalgan aproximadamente 203,2 mm (8 pulg.) del cabezal.

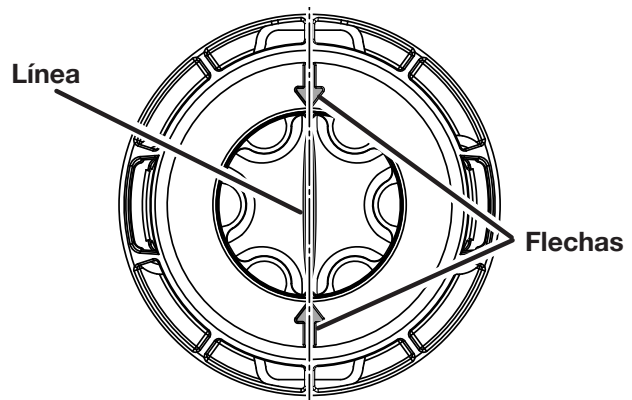


Figura 14

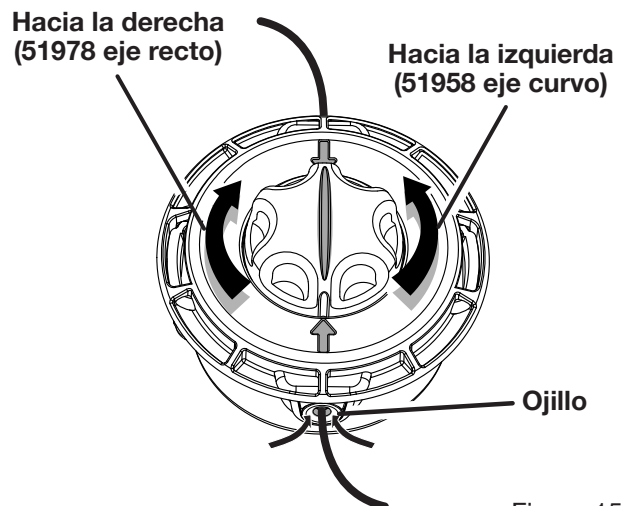


Figura 15

## Mantenimiento

### **⚠ ADVERTENCIA:**

Al dar servicio a este producto, sólo utilice piezas de repuesto Toro. El empleo de piezas diferentes puede presentar un peligro o causar daños al producto.

### **⚠ ADVERTENCIA:**

Use siempre protección ocular con protección lateral con la marca de cumplimiento de la norma ANSI Z87.1 junto con protección auditiva. La inobservancia de esta advertencia puede causar el lanzamiento de objetos hacia los ojos y otras lesiones graves.

### **⚠ ADVERTENCIA:**

Antes de inspeccionar, limpiar o dar mantenimiento a la máquina, apague el motor, espere hasta que se detengan todas las piezas en movimiento, desconecte el cable de la bujía y apártelo de la bujía. El incumplimiento de estas instrucciones puede provocar lesiones personales graves o daños materiales.

### Mantenimiento general

Evite el empleo de solventes al limpiar piezas de plástico. La mayoría de los plásticos son susceptibles a diferentes tipos de solventes comerciales y pueden resultar dañados. Utilice paños limpios para eliminar la suciedad, el polvo, el lubricante, la grasa, etc.

# Mantenimiento

## **⚠️ ADVERTENCIA:**

No permita en ningún momento que fluidos para frenos, gasolina, productos a base de petróleo, lubricantes penetrantes, etc., lleguen a tocar las piezas de plástico. Los productos químicos pueden dañar, debilitar o destruir el plástico, lo cual podría causar lesiones serias.

## Limpieza de la producto

1. Apague la herramienta antes limpiarla.
2. Limpie la parte exterior de la herramienta con un paño húmedo.
3. Evite el empleo de solventes al limpiar piezas de plástico. La mayoría de los plásticos son susceptibles a diferentes tipos de solventes comerciales y pueden resultar dañados.
4. Limpie o raspe el área del cabezal de la recortadora y del carrete cuando se acumule tierra o pasto en el mismo.
5. Raspe los desechos de las aberturas de admisión de aire de ambos lados del alojamiento del motor.

## **AVISO:**

Mantener las aberturas de admisión de aire libres de césped y desechos evita que se sobrecaliente el motor y posibles daños en el motor.

## Servicio de la producto

Revise todos los tornillos y apriételes. Si alguna pieza se daña o se pierde, repárela o reemplácela, según sea el caso.

## Revisión de la tapa del tanque de combustible, tanque y conducto

## **⚠️ ADVERTENCIA:**

Revise la herramienta para ver si tiene fugas de combustible. Una tapa del tanque de combustible, tanque o conductos, con fugas constituye un riesgo de incendio y debe reemplazarse inmediatamente. Si encuentra fugas, corrija el problema antes de utilizar la herramienta. De lo contrario puede producirse un incendio, con el consiguiente riesgo de lesiones serias.

La tapa del tanque de combustible contiene un filtro que no necesita mantenimiento y una válvula de retención. Un filtro de combustible obstruido puede causar un desempeño deficiente del motor. Si mejora el desempeño al aflojar la tapa del tanque de combustible, es posible que esté defectuosa la válvula de retención o quizá esté obstruido el filtro. Reemplace la tapa del tanque de combustible si es necesario.

## Limpieza del filtro de aire

Veá las figuras 16 y 18.

Cambie el filtro de aire según señala el calendario de mantenimiento. Para limpiar el filtro de aire realice los siguientes pasos.

1. Apague la recortadora.
2. Retire la funda de la bujía.
3. Afloje la tapa del filtro de aire girando la perilla hacia la izquierda.
4. Retire la tapa del filtro de aire.
5. Retire el filtro de aire.
6. Limpie el filtro de aire con agua jabonosa tibia.
7. Enjuague el filtro de aire y déjelo secar completamente.
8. Introduzca dos gotas de aceite en el filtro de aire.
9. Vuelva a colocar el filtro de aire (entra sólo de una forma).
10. Coloque la tapa del filtro de aire.
11. Apriete la tapa del filtro de aire girando la perilla hacia la derecha.
12. Coloque la funda de la bujía.

**Nota:** Cambie el filtro de aire según señala el calendario de mantenimiento.

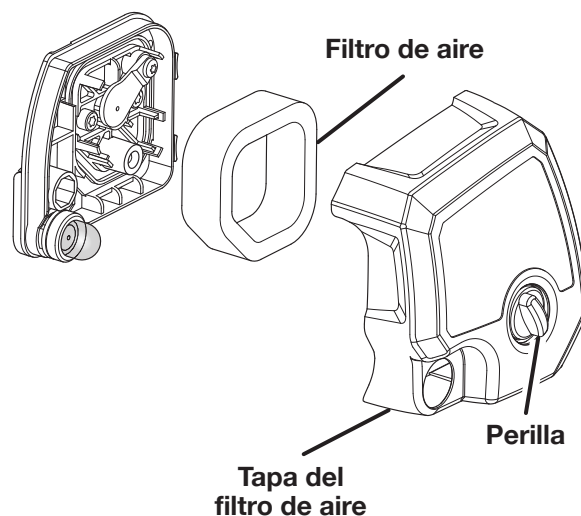


Figura 16



## Reemplazo del parachispas

Vea la figura 17.

### AVISO:

El parachispas que acompaña a este producto no ha sido evaluado por el Servicio Forestal del Departamento de Agricultura de EE. UU. y no se puede usar en terrenos forestales de EE. UU. Además, los usuarios del producto deben cumplir con los reglamentos de prevención de incendios locales, estatales y federales. Consulte a las autoridades que correspondan. Póngase en contacto con el servicio al cliente para comprar un parachispas de repuesto.

### ⚠ ADVERTENCIA:

Detenga el motor, retire la funda de la bujía y deje que se enfríen el motor y el silenciador antes de cambiar el supresor de chispas. Si toca el silenciador o el motor mientras están calientes, podría quemarse o sufrir otras lesiones personales de gravedad.

**Nota:** Dependiendo del tipo de combustible utilizado, el tipo y la cantidad de lubricante utilizado, o las condiciones de funcionamiento en particular, la abertura de escape, el silenciador y/o el parachispas pueden resultar obstruidos con depósitos de carbón. Si observa alguna pérdida de potencia en su herramienta con motor de gasolina, quizá sea necesario eliminar dichos depósitos para restaurar el rendimiento. Recomendamos enfáticamente que este servicio lo realicen únicamente los técnicos de servicio calificados.

Es posible que sea necesario limpiar o reemplazar el parachispas después de un uso repetido de la unidad. Si es necesario reemplazarlo, utilice la pieza Toro núm. 000998216.

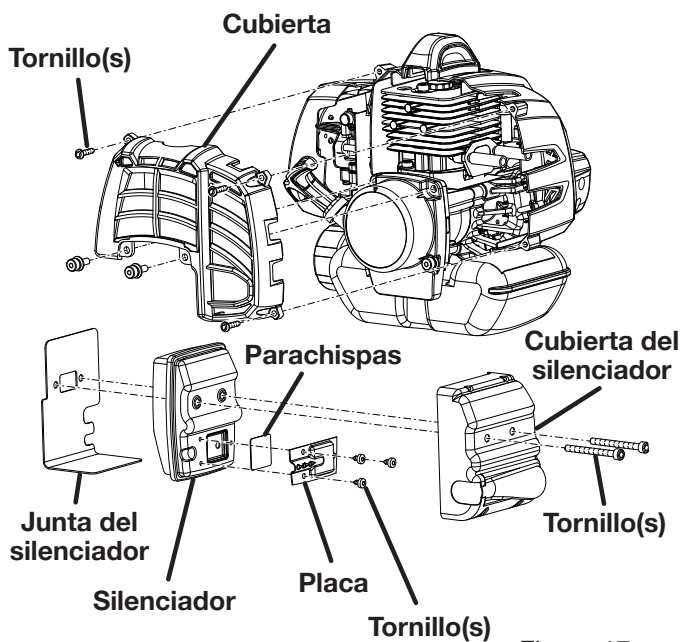


Figura 17

### Para reemplazar el parachispas:

1. Retire los cinco tornillos encargados de fijar la cubierta.

**Nota:** Para retirar estos tornillos se requiere un destornillador Torx T20 y uno T25.

2. Retire la cubierta.
3. Retire los dos tornillos encargados de mantener el conjunto del silenciador en su lugar.
4. Retire el conjunto del silenciador y la junta de este último. Puede ser necesario un poco de trabajo para zafar de la junta el conjunto del silenciador.
5. Separe del silenciador la tapa de éste.
6. Retire los tres tornillos encargados de fijar las placas en el silenciador.
7. Retire el parachispas.
8. Reemplace el parachispas viejo con el nuevo.
9. Vuelva a armar el silenciador; para ello, coloque de nuevo las placas y apriete los tres tornillos [a 7 pulg·lb (0,79 Nm) por lo menos, y a 13 pulg·lb (1,46 Nm) como máximo. No efectúe un apriete excesivo].
10. Vuelva a ensamblar el silenciador y la cubierta, y únalos a la junta con los dos tornillos.
11. Vuelva a insertar el conjunto del silenciador y apriete los dos tornillos al motor [a 60 pulg·lb (6,78 Nm) por lo menos, y a 80 pulg·lb (9,04 Nm) como máximo. No efectúe un apriete excesivo].
12. Vuelva a instalar la cubierta en la herramienta y apriétela con los cinco tornillos [a 16 pulg·lb (1,81 Nm) por lo menos, y a 22 pulg·lb (2,49 Nm) como máximo. No efectúe un apriete excesivo].

**Nota:** No apriete excesivamente los tornillos.

## Cambio de la bujía

Vea la figura 18.

En todos los modelos incluidos en este manual se usa una bujía Champion RCJ4 o RCJ6Y. Utilice un repuesto idéntico y cámbielo anualmente.

Para cambiar la bujía siga estos pasos.

1. Retire la funda de la bujía.
2. Afloje la bujía; para ello, gírela hacia la izquierda con una llave de cubo.
3. Retire la bujía.

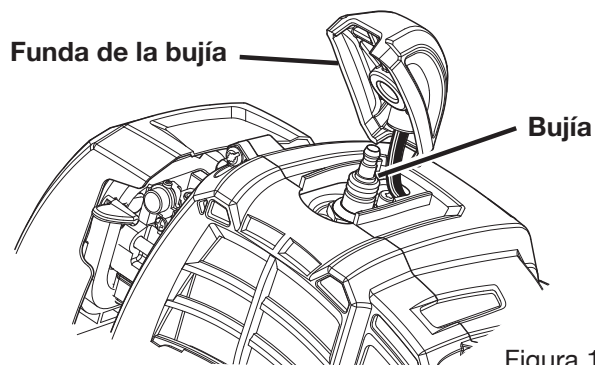


Figura 18

4. Inspeccione nueva bujía. La bujía debe tener el debido espacio interelectrónico y debe estar libre de depósitos para que el motor funcione de forma correcta. La separación correcta aproximada es 0,64 mm (0,025 pulg.). Para ampliar la separación, doble con cuidado el electrodo (superior) de conexión a tierra. Para angostar el espacio, golpee suavemente sobre una superficie dura el electrodo de tierra.
5. Enrosque la nueva bujía con la mano, girándola hacia la derecha.
6. Apriétela con una llave de cubo [177 pulg-lb (20 Nm) por lo menos, y a 221 pulg-lb (24,97 Nm) como máximo. **No efectúe un apriete excesivo.**]

**AVISO:**

Tenga cuidado de no estropear la rosca de la bujía. Si se estropea la rosca de la bujía, resultará seriamente dañado el producto.

**Ajuste de la marcha lenta**

*Vea la figura 19.*



**ADVERTENCIA:**

El cabezal de corte se moverán cuando se ajuste la velocidad de marcha lenta. Utilice todas las prendas de protección y no permita la presencia de personas ajenas a la operación, niños ni mascotas a menos de 15 m (50 pies) de distancia. Realice los ajustes con la unidad apoyada a mano de modo que el cabezal de corte no entren en contacto con el piso ni con cualquier objeto. Mantenga todas las partes del cuerpo alejadas de la hoja y/o el cabezal de corte y el silenciador. El incumplimiento de estas instrucciones podría causar lesiones personales de gravedad.

Si el accesorio del corte avanza estando el motor en marcha lenta, se necesita ajustar el tornillo de marcha lenta del motor. Gire el tornillo de velocidad de marcha lenta en el sentido contrario a las manecillas del reloj para reducir las RPM y que se detenga el movimiento del accesorio del corte. Si el accesorio del corte aún se mueve al estar el motor en marcha lenta, contacte a un representante de servicio para el ajuste y suspenda el uso de la misma hasta que se efectúe la reparación.



**ADVERTENCIA:**

El accesorio del corte nunca debe girar en marcha lenta. Gire a la izquierda el tornillo de marcha lenta para reducir dicha marcha y así detener el accesorio de corte, o comuníquese con un representante de servicio para que la ajusten, y suspenda el uso de la unidad hasta que se efectúe la reparación. Si el accesorio del corte se mueve al estar el motor en marcha lenta, podría resultar lesiones corporales serias.

**Tornillo de ajuste de la marcha en vacío**

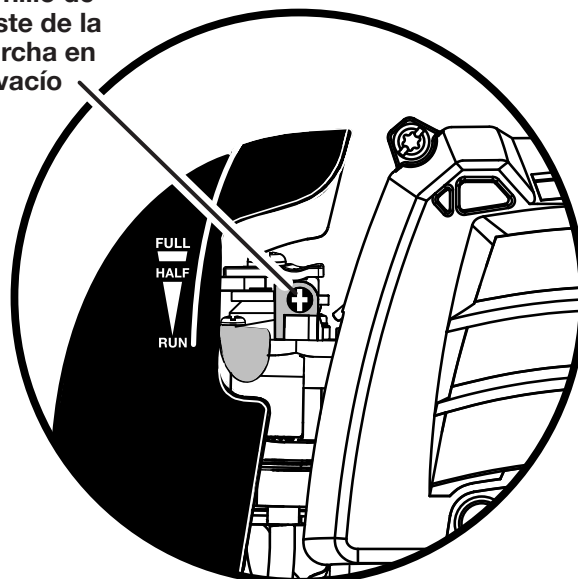


Figura 19

**Almacenamiento del producto**

La forma de almacenar el producto difiere según sea el período de tiempo que permanecerá guardada.

**Nota:** Si el producto incluye otro aditamento, coloque la tapa de almacenamiento en el extremo del eje del aditamento y cuélguelo para guardarlo.

**Para guardar el producto a corto plazo:**

Para guardar el producto a corto plazo realice los siguientes pasos.

1. Limpie toda materia extraña presente en el producto.
2. Guarde el producto en un lugar bien ventilado inaccesible a los niños.

**Para guardar el producto a largo plazo:**

Si no intenta utilizar el producto durante más de un mes, siga el procedimiento de almacenamiento señalado abajo.

Para guardar el producto a largo plazo realice los siguientes pasos.

1. Drene todo el combustible en un recipiente aprobado para gasolina.
2. Ponga a funcionar el motor hasta que se apague por sí mismo.
3. Limpie toda materia extraña presente en el producto.
4. Guarde el producto en un lugar bien ventilado inaccesible a los niños.

**Nota:** Mantenga el producto lejos de sustancias corrosivas como los productos químicos para el jardín y las sales descongeladoras.

**Nota:** Cumpla todos los reglamentos federales y locales relacionados con la seguridad del almacenamiento y el manejo de gasolina.

**Transporte del producto**

Para transportar el producto siga estos pasos.

1. Drene la mezcla de combustible en un recipiente limpio aprobado para gasolina.
2. Porte el producto por el mango delantero.
3. Asegure el producto en el vehículo o remolque.

## Instalación del cabezal del hilo REEL-EASY™

Vea las figuras 20 y 21.

- Apague el motor y desconecte el cable de la bujía.
- Abra el cabezal del hilo REEL-EASY oprimiendo los pestillos a cada lado. Dado que el contenido del cabezal del hilo tiene resorte, mantenga la otra mano sobre la tapa del cabezal del hilo mientras oprime los pestillos.
- Retire la tapa, la perilla y el carrete del cabezal del hilo, y deposítelos a un lado.
- Coloque el alojamiento superior sobre el eje impulsor. Asegúrese de que el cabezal del hilo esté completamente asentado.
- Instale el perno de cabeza hexagonal en la abertura del eje de impulsión y asegúrelo usando la abertura con forma hexagonal en la perilla para apretarlo. Para ajustar, gire en el sentido de las agujas del reloj si está trabajando con un modelo de eje curvo y en sentido contrario a las agujas del reloj en el caso de modelos de eje recto.

**Nota:** Sólo use la perilla para apretar el perno. El empleo de otras herramientas puede provocar un apriete excesivo del perno, lo cual podría dañar el cabezal del hilo.

- Si lo ha retirado, vuelva a colocar el resorte en el cabezal del hilo y empuje hacia abajo para asentarlo.
- Vuelva a instalar el carrete. Para el modelo 51958, el carrete debe colocarse de modo que esté visible la inscripción “Este lado hacia afuera para el eje curvo”. Para los modelos 51978, el carrete debe colocarse de modo que esté visible la inscripción “Este lado hacia afuera para el eje recto”.
- Vuelva a colocar la perilla en el carrete.
- Vuelva a colocar la tapa del cabezal del hilo y alinee los pestillos con las aberturas en el cabezal del hilo. Oprima la tapa y el cabezal del hilo juntos hasta que ambos pestillos entren firmemente a presión en las aberturas.
- Instale el hilo de la forma descrita en la funcionamiento sección de este manual.

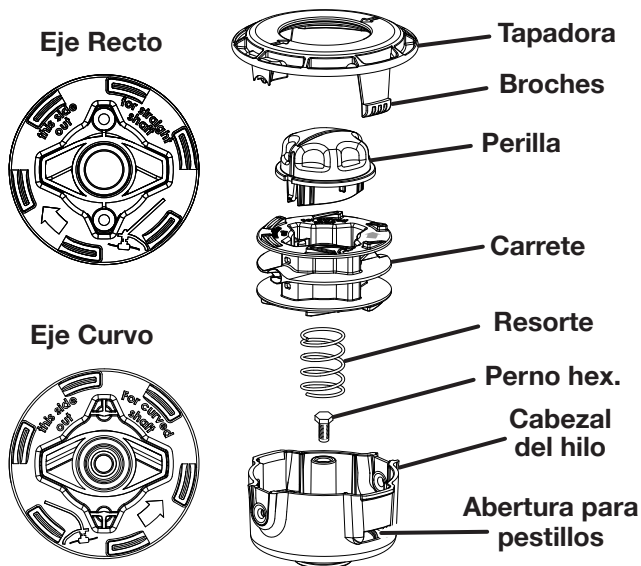


Figura 20

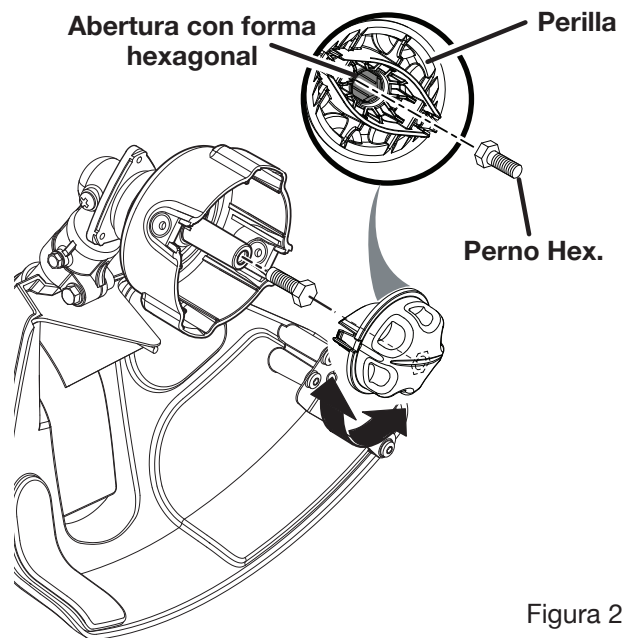


Figura 21

## Operación del motor a altitudes elevadas

Lleve este equipo a un centro de servicio técnico autorizado para que ajusten este motor en caso de que se lo deba hacer funcionar a más de 609,6 metros (2000 pies) de altura. De no hacerlo, el rendimiento del motor podría ser deficiente y se generaría un mayor nivel de emisiones contaminantes. Un motor ajustado para altitudes elevadas no puede hacerse funcionar a una altura inferior a los 609,6 metros (2000 pies). De hacerlo, el motor se sobrecalentará y sufrirá graves daños. Lleve todo motor que haya sido modificado para funcionar a altitudes elevadas a un centro de servicio técnico autorizado para que restauren las condiciones de las especificaciones de fábrica originales antes de hacerlo funcionar a menos de 609,6 metros (2000 pies) de altura.

## Este producto se fabricó con un silenciador catalítico

¡Felicidades! Acaba de realizar una inversión para proteger el medio ambiente. A fin de conservar el nivel de emisiones original de este producto, le suplicamos consultar el apartado sobre mantenimiento que aparece abajo.

PROGRAMA DE MANTENIMIENTO				
Pieza de mantenimiento	Inspeccionar cada vez antes de usar la unidad	Limpiar cada 5 horas de uso	Limpiar o reemplazar cada 25 horas de uso o cada año	Reemplácelo cada 125 Horas
* CONJUNTO DE SILENCIADOR CATALÍTICO .....				X
PANTALLA PARACHISPAS .....			X	
* CONJUNTO DEL FILTRO DE AIRE				
incluye:				
Filtro .....			X	
* CONJUNTO DEL CARBURADOR				
incluye:				
Juntas .....		X		
* CONJUNTO DEL TANQUE DE COMBUSTIBLE				
incluye:				
Conductos de combustible .....		X		
Tapa del tanque de combustible .....		X		
Filtro de combustible .....			X	
* CONJUNTO DEL ENCENDIDO				
incluye:				
Bujía .....			X	
<b>AVISO:</b> EL USO DE COMPONENTES DE CONTROL DE EMISIONES QUE NO SEAN LOS DISEÑADO PARA ESTA UNIDAD INFRINGE LA LEGISLACIÓN FEDERAL.				



## LLÁMENOS PRIMERO

Si tiene preguntas sobre el funcionamiento o el mantenimiento este producto, llame al teléfono de atención al consumidor de Toro!

La recortadora ha sido probada enteramente antes de embarcarse para asegurar la satisfacción del consumidor.

# Corrección de problemas

Problema	Causa posible	Solución
El motor no arranca	<ol style="list-style-type: none"> <li>1. No produce chispa la bujía</li> <li>2. No hay combustible</li> <li>3. Está ahogado el motor</li> <li>4. Se requiere más esfuerzo ahora para tirar de la cuerda del arrancador que cuando estaba nuevo el producto</li> </ol>	<ol style="list-style-type: none"> <li>1. Retire la bujía. Vuelva a colocar la tapa de la bujía y deposite ésta sobre el cilindro metálico. Tire de la cuerda del arrancador y observe el extremo de la bujía para ver si hay chispa. Si no hay chispa, repita la prueba con una bujía nueva.</li> <li>2. Oprima la bomba de cebado hasta que se llene de combustible. Si no se llena la bomba, significa que está obstruido el sistema principal de conducción de combustible. Si se llena la bomba de cebado, es posible que esté ahogado el motor. (Vea el siguiente punto.)</li> <li>3. Retire la bujía. Invierta la posición de la unidad de manera que el orificio de la bujía quede orientado hacia abajo. Asegúrese de que la palanca del anegador esté en <b>“RUN”</b> (funcionamiento) y tire de la cuerda del arrancador de 10 a 14 veces. De esta manera se despeja del motor el exceso de combustible. Limpie la bujía y vuelva a instalarla. Teniendo el gatillo oprimido completamente, tire de la cuerda 3 veces. Si no arranca el motor, ponga la palanca del anegador en <b>“FULL”</b> (anegación máxima) y siga el procedimiento normal de arranque. Si aún así no arranca el motor, repita el procedimiento con una bujía nueva.</li> <li>4. Comuníquese con un establecimiento de servicio autorizado.</li> </ol>
El motor no alcanza la máxima velocidad y despide demasiado humo	<ol style="list-style-type: none"> <li>1. Revise la mezcla de combustible y aceite</li> <li>2. Está sucio el filtro de aire</li> <li>3. Está sucia la pantalla parachispas</li> </ol>	<ol style="list-style-type: none"> <li>1. Use combustible fresco y la mezcla correcta de aceite para motor de 2 tiempos.</li> <li>2. Limpie el filtro de aire.</li> <li>3. Limpie el parachispas.</li> </ol>
El hilo no avanza cuando se utiliza la función de alargamiento automático del hilo	<ol style="list-style-type: none"> <li>1. El hilo se pegó a sí mismo</li> <li>2. No hay suficiente hilo en el carrete</li> <li>3. El hilo está demasiado corto</li> <li>4. El hilo se enredó en el carrete</li> <li>5. Está demasiado lenta la velocidad</li> </ol>	<ol style="list-style-type: none"> <li>1. Lubrique con rociador de silicón.</li> <li>2. Póngale más hilo.</li> <li>3. Tire del hilo mientras oprime y suelta de manera alternada la tapa de retención.</li> <li>4. Retire el hilo del carrete y rebóbinelo.</li> <li>5. Avance el hilo a toda aceleración.</li> </ol>
El pasto se enrolla alrededor de la unidad del cabezal de corte de la recortadora y del eje del accesorio	<ol style="list-style-type: none"> <li>1. Está cortándose pasto muy alto al nivel del suelo</li> <li>2. Está accionándose la herramienta a una aceleración parcial</li> </ol>	<ol style="list-style-type: none"> <li>1. Corte la hierba alta desde la parte superior hacia abajo.</li> <li>2. Accione la herramienta a la máxima aceleración.</li> </ol>
Hay goteo de aceite del silenciador	<ol style="list-style-type: none"> <li>1. Está accionándose la herramienta a una aceleración parcial</li> <li>2. Revise la mezcla de combustible y aceite</li> <li>3. Está sucio el filtro de aire</li> </ol>	<ol style="list-style-type: none"> <li>1. Accione la herramienta a la máxima aceleración.</li> <li>2. Use combustible fresco y la mezcla correcta de aceite para motor de 2 tiempos.</li> <li>3. Limpie el filtro de aire.</li> </ol>





## Count on it.

ESTE PRODUCTO HA SIDO FABRICADO POR TECHTRONIC INDUSTRIES NORTH AMERICA, INC. CON AUTORIZACIÓN DE THE TORO COMPANY.

Techtronic Industries North America, Inc. garantiza al comprador original al menudeo que este producto de recortadora de gasolina carece de defectos en los materiales y en la mano de obra, y acuerda reparar o remplazar, a la sola discreción de la compañía, cualquier producto defectuoso, sin cargo alguno al comprador, dentro de los siguientes períodos de tiempo a partir de la fecha de compra.

- Cuatro años para todos los productos de recortadora de gasolina, si se emplean para uso personal, familiar y casero;
- 90 días para los productos de recortadora de gasolina empleados para cualquier otro uso, como el uso comercial o el de alquiler.

Con las excepciones estipuladas en la Declaración de la Garantía del Sistema para Control de Emisiones, esta garantía únicamente se ofrece al comprador original al menudeo y comienza en la fecha de la compra original al menudeo.

### Instrucciones para obtener el servicio al amparo de la garantía

Cualquier parte del producto manufacturado o suministrado por Techtronic Industries North America, Inc. que, a juicio razonable de la compañía, tenga defectos en los materiales o en la mano de obra, será reparado o remplazado por un establecimiento de servicio autorizado de este producto, sin cargo alguno al comprador por concepto de piezas y mano de obra. Para encontrar el establecimiento de servicio autorizado más cercano a usted, le suplicamos llamarnos a la línea gratuita al 866-574-9242 (en EE.UU.) o al 866-574-9243 (en Canadá).

El producto, incluida toda pieza defectuosa, debe enviarse a un establecimiento de servicio autorizado de este producto dentro del período de la garantía. El gasto de enviar el producto de recortadora de gasolina al establecimiento de servicio para cualquier trabajo cubierto por la garantía, así como el gasto de devolverlo al propietario después de la reparación, correrán por cuenta del propietario. La responsabilidad de Techtronic Industries North America, Inc. con respecto a todo reclamo se limita a las reparaciones o remplazo del producto, y ningún reclamo de incumplimiento de la garantía será causante de la cancelación o rescisión del contrato de venta de ningún producto. En el establecimiento se requerirá el recibo de compra para respaldar cualquier reclamo al amparo de la garantía. Todo trabajo realizado al amparo de la garantía debe ser efectuado en un establecimiento de servicio autorizado por Techtronic Industries North America, Inc. para dar servicio a este producto.

Esta garantía no cubre ningún producto de recortadora de gasolina que haya sido sujeto a un uso indebido, maltrato, negligencia o accidente, o que haya sido utilizado de cualquier forma contraria a las instrucciones de manejo especificadas en el manual del operador. Esta garantía no cubre ningún daño sufrido por el producto de recortadora de gasolina causado por un mantenimiento inadecuado, alteración o modificación que haya afectado desfavorablemente el funcionamiento, el desempeño o la durabilidad del producto, o haya cambiado el uso para el que

fue diseñado. La garantía no cubre ninguna reparación necesaria por el uso normal ni por el uso de piezas o accesorios que sean incompatibles con el producto de recortadora de gasolina, o afecten de forma desfavorable su funcionamiento, desempeño o durabilidad.

Además, esta garantía no cubre lo siguiente (excepto en la medida en que lo cubra la garantía de equipo de control de emisiones señalada abajo):

- A. Afinación – Bujías, ajustes del carburador, filtros
- B. Artículos sujetos a desgaste – Perillas de tope, carretes exteriores, hilos de corte, carretes interiores, polea del arrancador, cuerdas del arrancador, correas de transmisión, aspas, arandelas de fieltro y pasadores de enganche, hoja de triturar, ventilador de la sopladora, tubos de la sopladora y de la aspiradora, saco y correas de la aspiradora, barra guía y cadena de la sierra.

Techtronic Industries North America, Inc. se reserva el derecho a cambiar o mejorar el diseño de cualquier producto de recortadora de gasolina sin asumir ninguna obligación de modificar ningún producto fabricado previamente.

TODAS LAS GARANTÍAS IMPLÍCITAS ESTÁN LIMITADAS EN DURACIÓN SEGÚN EL PERÍODO DE GARANTÍA DECLARADA. COMO CORRESPONDE, TODA GARANTÍA IMPLÍCITA, INCLUIDAS LAS DE COMERCIABILIDAD, IDONEIDAD PARA UN PROPÓSITO EN PARTICULAR, O DE CUALQUIER OTRO TIPO, SE DESCONOCE POR COMPLETO DESPUÉS DEL PERÍODO DE GARANTÍA CORRESPONDIENTE DE TRES AÑOS O NOVENTA DÍAS, SEGÚN CORRESPONDA. DE CONFORMIDAD CON ESTA GARANTÍA, LA OBLIGACIÓN DE TECHTRONIC INDUSTRIES NORTH AMERICA, INC. SE LIMITA ESTRUCTIVA Y EXCLUSIVAMENTE A LA REPARACIÓN O REMPLAZO DE LAS PIEZAS DEFECTUOSAS, Y TECHTRONIC INDUSTRIES NORTH AMERICA, INC. NO ASUME NINGUNA OTRA OBLIGACIÓN, NI AUTORIZA A NADIE ASUMIRLA A NOMBRE DE DICHA COMPAÑÍA. ALGUNOS ESTADOS NO PERMITEN LIMITACIONES EN CUANTO A LA DURACIÓN DE UNA GARANTÍA IMPLÍCITA, POR LO CUAL ES POSIBLE QUE LA LIMITACIÓN ANTERIOR NO SE APLIQUE EN EL CASO DE USTED.

TECHTRONIC INDUSTRIES NORTH AMERICA, INC. NO ASUME NINGUNA RESPONSABILIDAD POR DAÑOS DIRECTOS, INDIRECTOS O DE NINGÚN OTRO TIPO, COMO EL GASTO DE ENVIAR EL PRODUCTO DE RECORTADORA DE GASOLINA A UN ESTABLECIMIENTO DE SERVICIO AUTORIZADO DE RECORTADORAS DE GASOLINA Y EL GASTO DE ENVIARLO DE ALLÍ AL PROPIETARIO, EL TIEMPO DE VIAJE DEL MECÁNICO, CARGOS TELEFÓNICOS O TELEGRÁFICOS, ALQUILER DE UN PRODUCTO SUSTITUTO DURANTE EL TIEMPO DE REALIZACIÓN DEL SERVICIO DE LA GARANTÍA, VIAJES, PÉRDIDA O DAÑOS A OBJETOS DE PROPIEDAD PERSONAL, PÉRDIDA DE INGRESOS, PÉRDIDA DEL USO DEL PRODUCTO, PÉRDIDA DE TIEMPO O INCONVENIENTES. EN ALGUNOS ESTADOS NO SE PERMITE LA EXCLUSIÓN O LIMITACIÓN DE DAÑOS DIRECTOS O INDIRECTOS, POR LO CUAL ES POSIBLE QUE LA LIMITACIÓN O EXCLUSIÓN DESCRITA ARRIBA NO SE APLIQUE EN SU CASO.

Esta garantía le confiere derechos legales específicos, y es posible que usted goce de otros derechos, los cuales pueden variar de estado a estado.









**Información sobre servicio al consumidor**

Si el producto requiere servicio o mantenimiento, comuníquese con el establecimiento de servicio autorizado más cercano. Para encontrar el establecimiento de servicio autorizado más cercano a usted, le suplicamos llamarnos a la línea gratuitas, al 866-574-9242 (en EE.UU.) o al 866-574-9243 (en Canadá).

Este producto ha sido fabricado por Techtronic Industries North America, Inc. con autorización de The Toro Company.

**Techtronic Industries North America, Inc.**

P.O. Box 35 Highway 8  
Pickens, SC 29671  
866-574-9242 (US) or 866-574-9243 (Canada)  
USA