

SECURE | SECURE PLUS | SECURE PRO

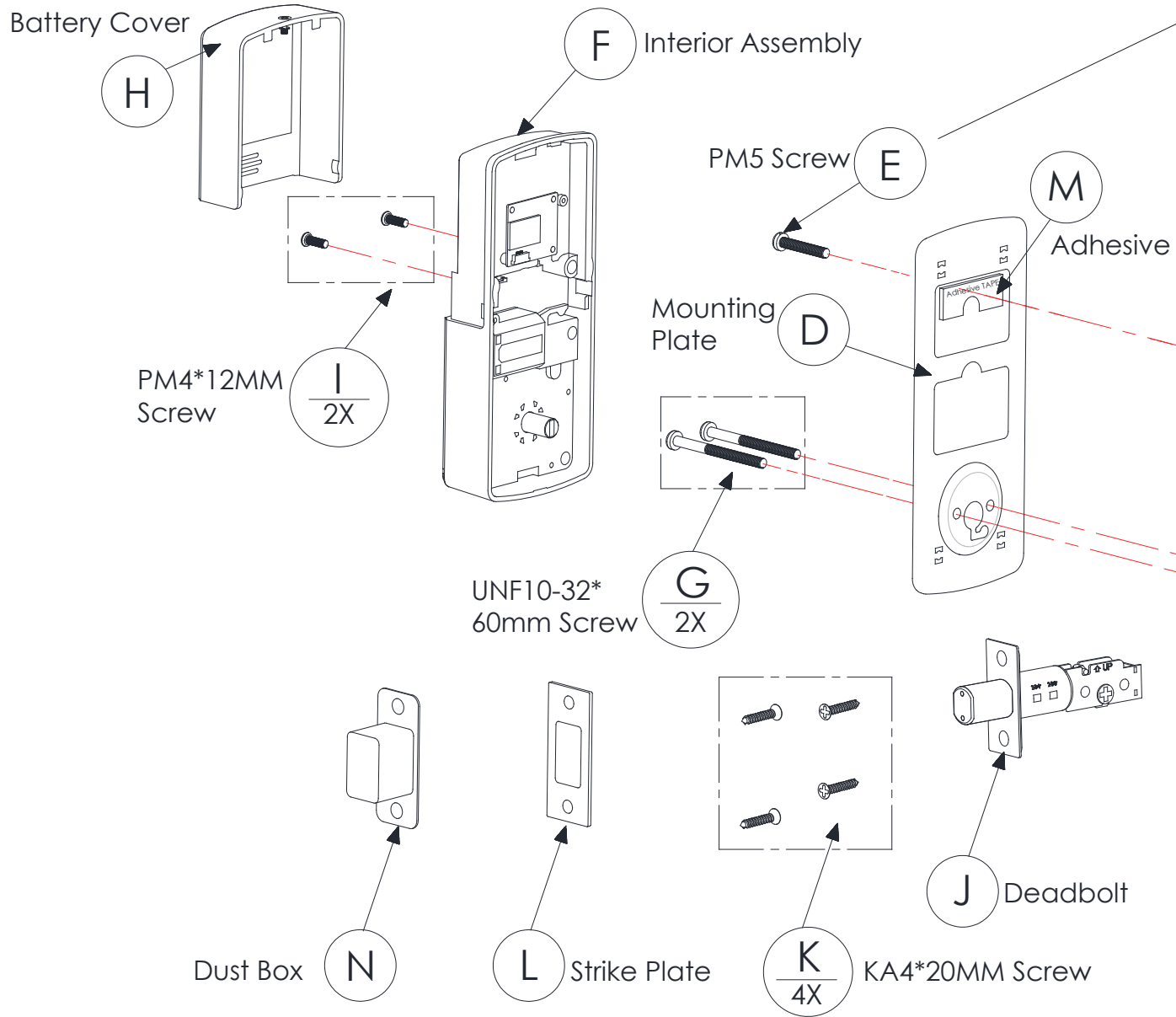


**LOCKLY** SECURE

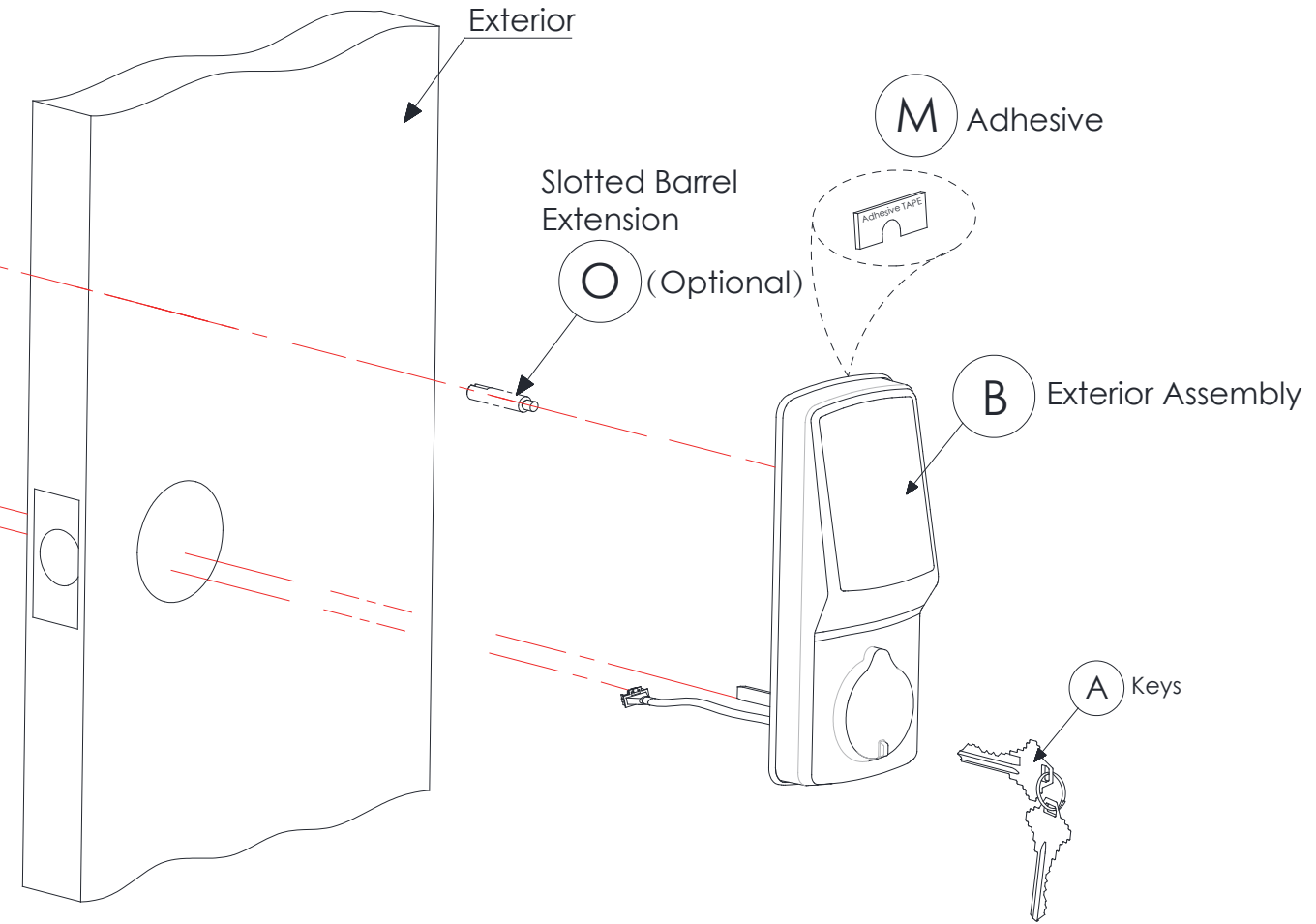
DEADBOLT EDITION

**INSTALLATION MANUAL**

# INSTALLATION OVERVIEW & PARTS LIST

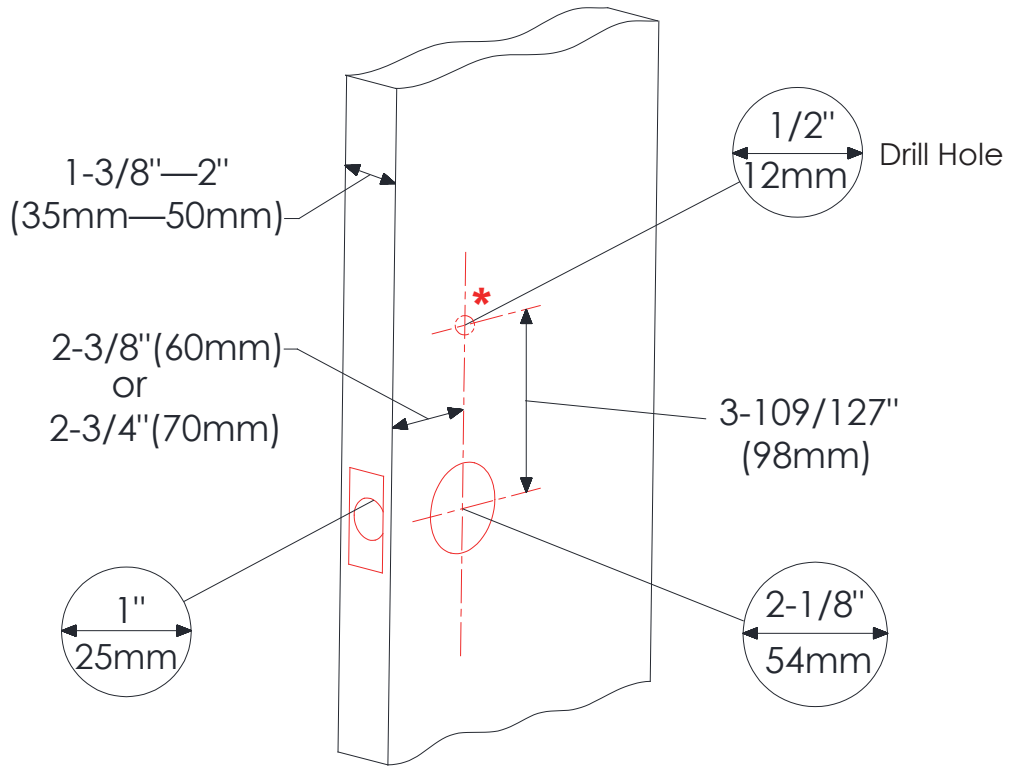


E1 PM5 x 25mm Screw, Door thickness 1-19/50"~1-69/100" (35~43mm)  
 E2 PM5 x 35mm Screw, Door thickness 1-69/100"~1-97/100" (43~50mm)  
 \* NOTE: You can either use M or O to stabilize the exterior part. O requires drilling an extra hole. Use provided Template for drilling instructions if needed.



**Locky Secure can be fitted for both right swing doors and left swing doors.**

## STEP 1: PREPARING YOUR DOOR



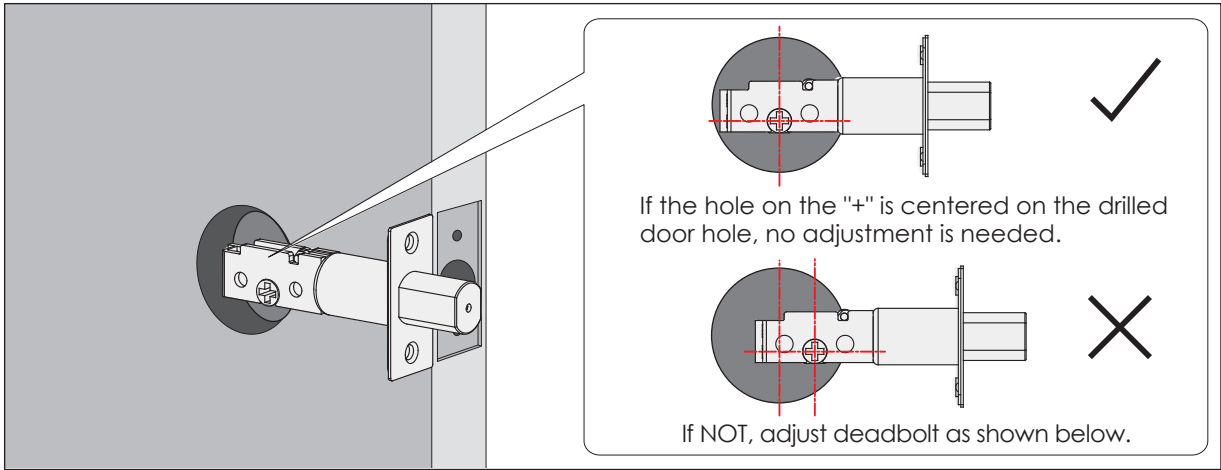
### IMPORTANT NOTICE



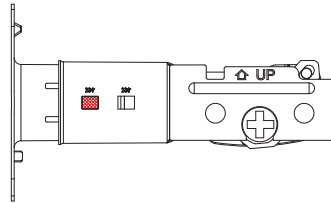
\* You are not required to drill a hole in your door. We have provided double sided adhesive tape for you to help stabilize the lock during installation. Only drill a hole if you wish to have added stability. Please refer to the provided templates for drilling if needed.

Make sure your door is prepared prior to installation. Please use the supplied template for drilling holes if required.

## STEP 2: ADJUSTING THE DEADBOLT



**I. 2 3/4" (70mm) ---> 2 3/8" (60mm)**  
 (Note: Wear gloves during adjustment to prevent pinching your hands)

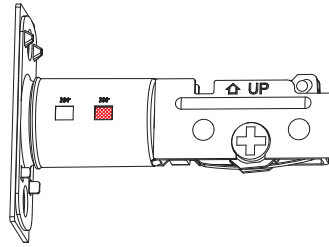


Deadbolt at 2-3/4" (70mm)  
 (shipping default status)

<p>Latch A</p> <p><b>1</b></p>	<p>This part will unsnap with a twist.</p> <p>2 3/4" 2 3/8"</p> <p>Deadbolt Body B</p> <p><b>2</b></p>	<p>The hole will snap on 2 3/4" bumper (C) with a twist.</p> <p>2 3/4" 2 3/8"</p> <p>C</p> <p>Deadbolt Body</p> <p><b>3</b></p>
<p>1. Make sure the <b>bolt (A)</b> is plugged in and hold it tight with left thumb;</p>	<p>2. While holding the <b>bolt (A)</b>, twist deadbolt <b>body (B)</b> to 45-degree angle clockwise; and</p>	<p>3. Push deadbolt <b>body (B)</b> towards the <b>bolt (A)</b> while still holding the bolt tip tightly with your left thumb. Twist deadbolt <b>body (B)</b> counter-clockwise until it snaps on <b>2 3/4" (C)</b>.</p>

## STEP 2: ADJUSTING THE DEADBOLT

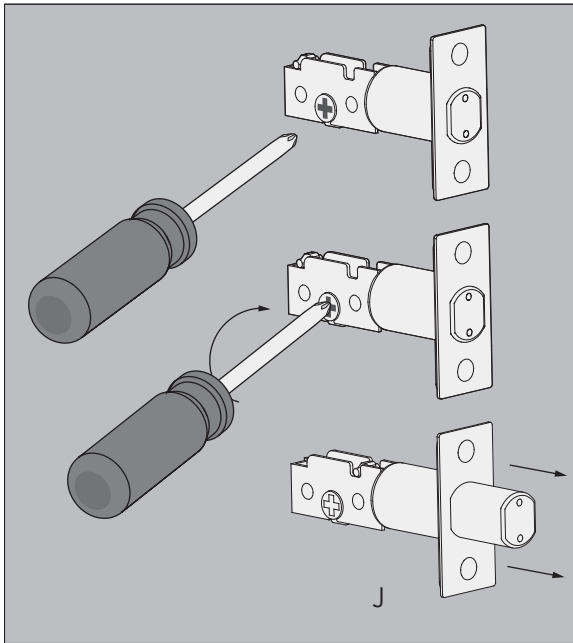
II.  $2\frac{3}{8}$ " (60mm) --->  $2\frac{3}{4}$ " (70mm)  
 (Note: Wear gloves during adjustment to prevent pinching your hands)



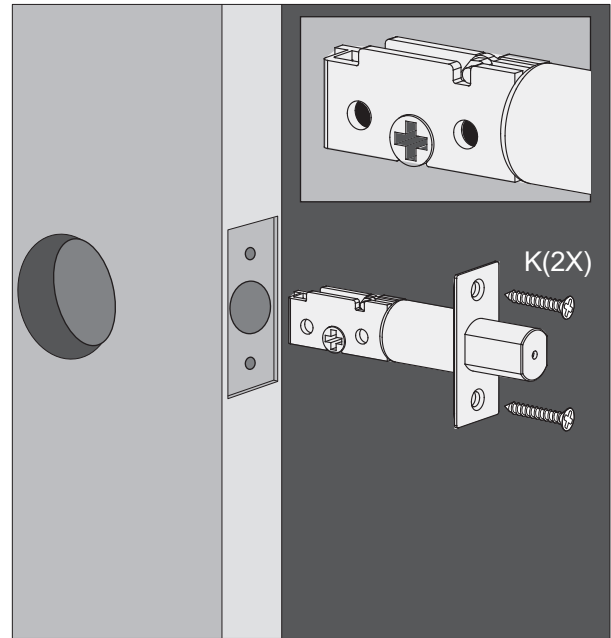
Deadbolt at  $2\frac{3}{8}$ " (60mm)

<p>Make sure the <b>crank (D)</b> stays on this position during the adjustment process.</p> <p style="text-align: right;"><b>1</b></p>	<p>This part will unsnap with a twist.</p> <p style="text-align: right;"><b>2</b></p>	<p>The hole will snap on <math>2\frac{3}{4}</math>" <b>bumper (C)</b> with a twist.</p> <p style="text-align: right;"><b>3</b></p>
<p>1. Make sure the <b>bolt (A)</b> is plugged in and the <b>crank (D)</b> is positioned at the end of the deadbolt <b>body (B)</b>;</p>	<p>2. Twist deadbolt <b>body (B)</b> clockwise to 45-degree angle, then</p>	<p>3. Pull deadbolt <b>body (B)</b> about <math>\frac{1}{2}</math>" away from the <b>bolt (A)</b>. Hold <b>crank (D)</b> then twist <b>(B)</b> counter-clockwise until it snaps on <math>2\frac{3}{4}</math>" <b>(E)</b>.</p>

### STEP 3: EXTENDING THE DEADBOLT



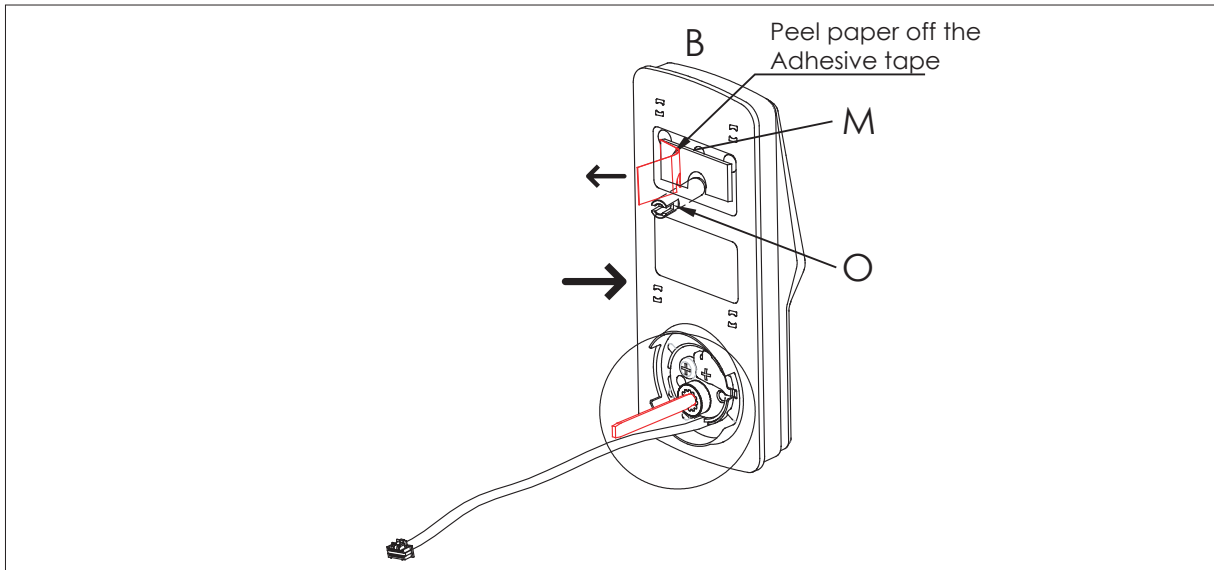
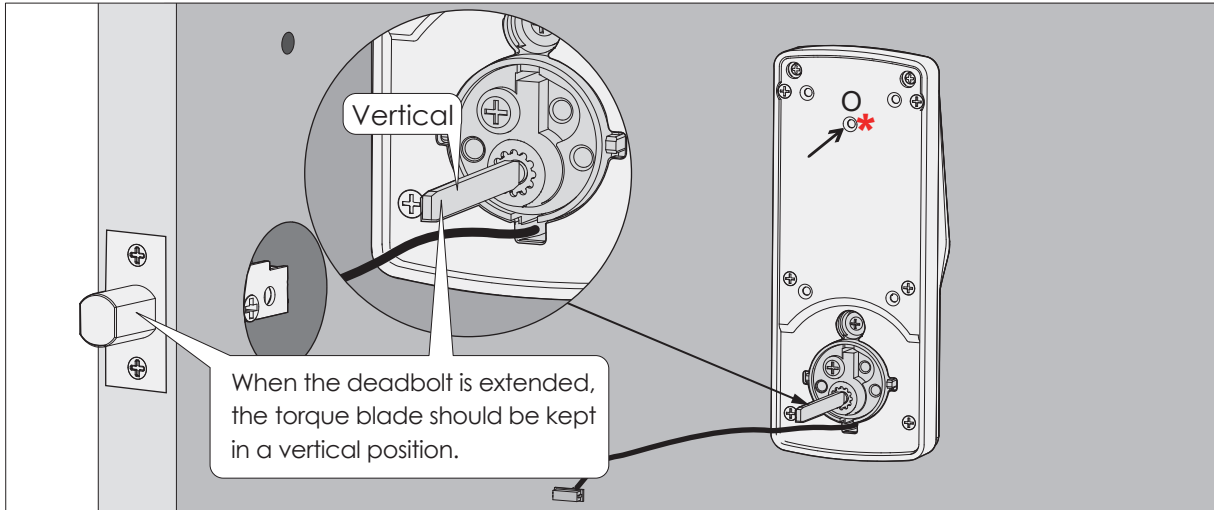
Extend the deadbolt as shown.



When installing the deadbolt, make sure the deadbolt is fully extended and the position of the "+" mark is on the bottom.

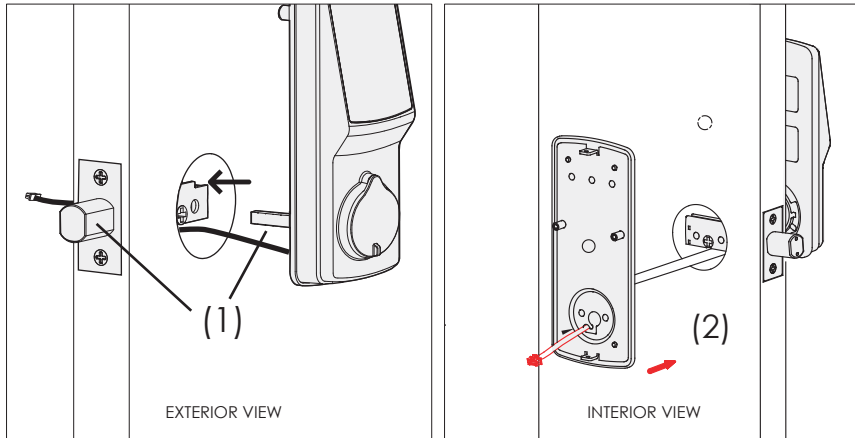
**MAKE SURE THE DEADBOLT IS FULLY EXTENDED (LOCKED)  
BEFORE INSTALLING PROCEEDING TO THE NEXT STEP**

## STEP 4: PREPARING THE EXTERIOR ASSEMBLY



\*This hole (O) is for the optional Slotted Barrel Extension provided for stabilizing your lock. It will require drilling extra hole on your door (See template as provided). Alternatively, you may use the double-sided adhesive tape provided which serves the same purpose if you do not want to drill a hole. If you drilled a hole, securely tighten the post with a flathead screwdriver by turning it clockwise before mounting on your door.

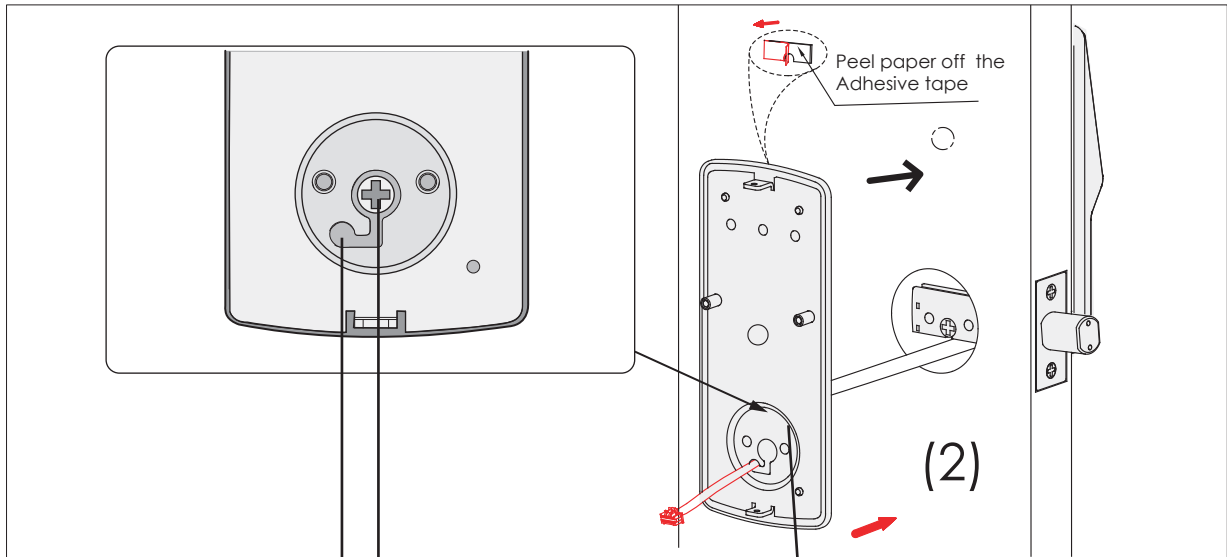
## STEP 5: INSTALLING THE EXTERIOR ASSEMBLY



**Note:** Please rotate the torque blade into the vertical position for installation.

(1). When the bolt is extended, the torque blade should be kept in a vertical position.

(2). Make sure the cable goes underneath the latch.

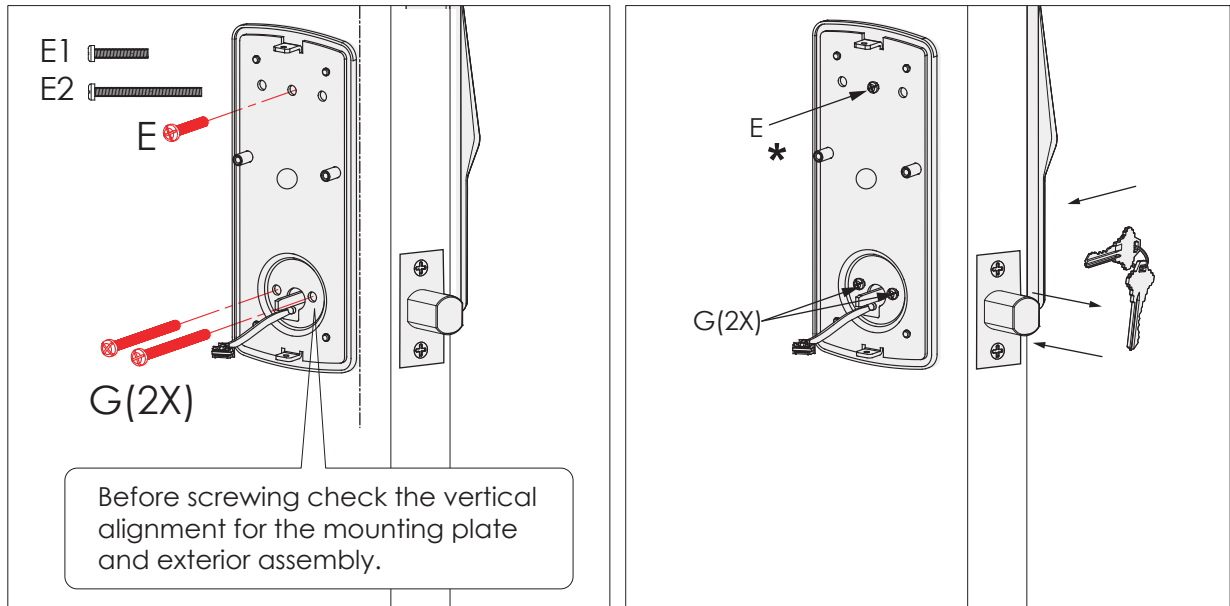


Side Hole      Center Hole

Route cable through center hole, then push it into side hole.



## STEP 5 (CON'TD): INSTALLING THE EXTERIOR ASSEMBLY



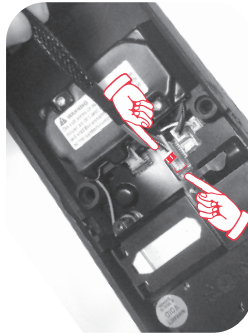
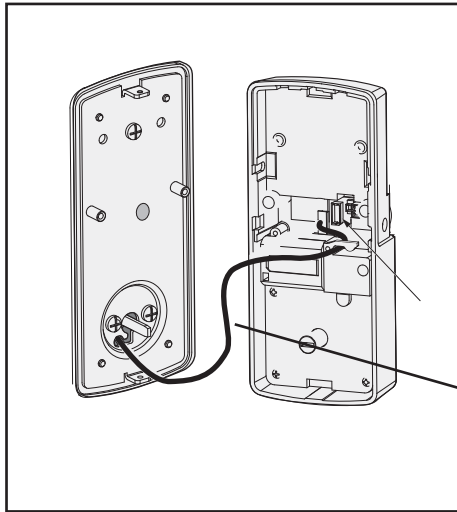
\* E is only required if you drilled a hole in your door. If you did not drill a hole in your door, please do not insert E.

Depending on your door thickness, use E1 or E2 screws for the doors.

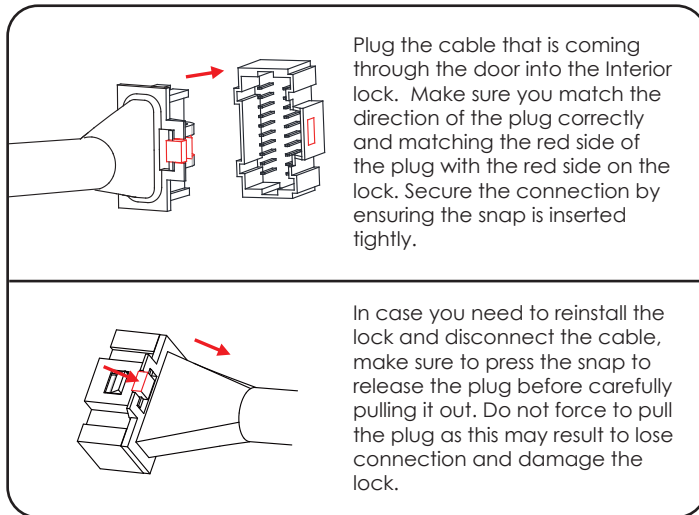
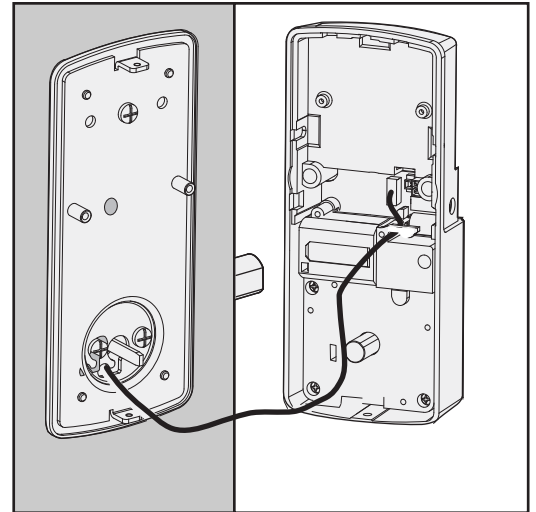
Doors with thickness of 35-43mm, use E1. Doors with thickness of 43-50mm, use E2.

After installation of the exterior assembly, use the physical key and try to unlock/lock to check if the deadbolt is moving and not stuck. Do not forget to take out the key before proceeding to next steps.

## STEP 6: INSTALLING INTERIOR ASSEMBLY

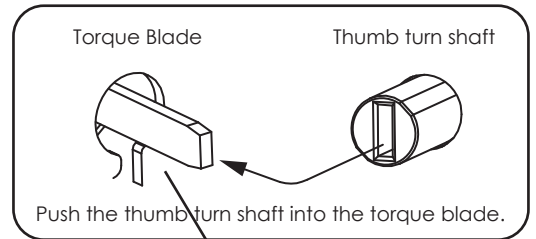


Connect the cable.



Plug the cable that is coming through the door into the Interior lock. Make sure you match the direction of the plug correctly and matching the red side of the plug with the red side on the lock. Secure the connection by ensuring the snap is inserted tightly.

In case you need to reinstall the lock and disconnect the cable, make sure to press the snap to release the plug before carefully pulling it out. Do not force to pull the plug as this may result to lose connection and damage the lock.



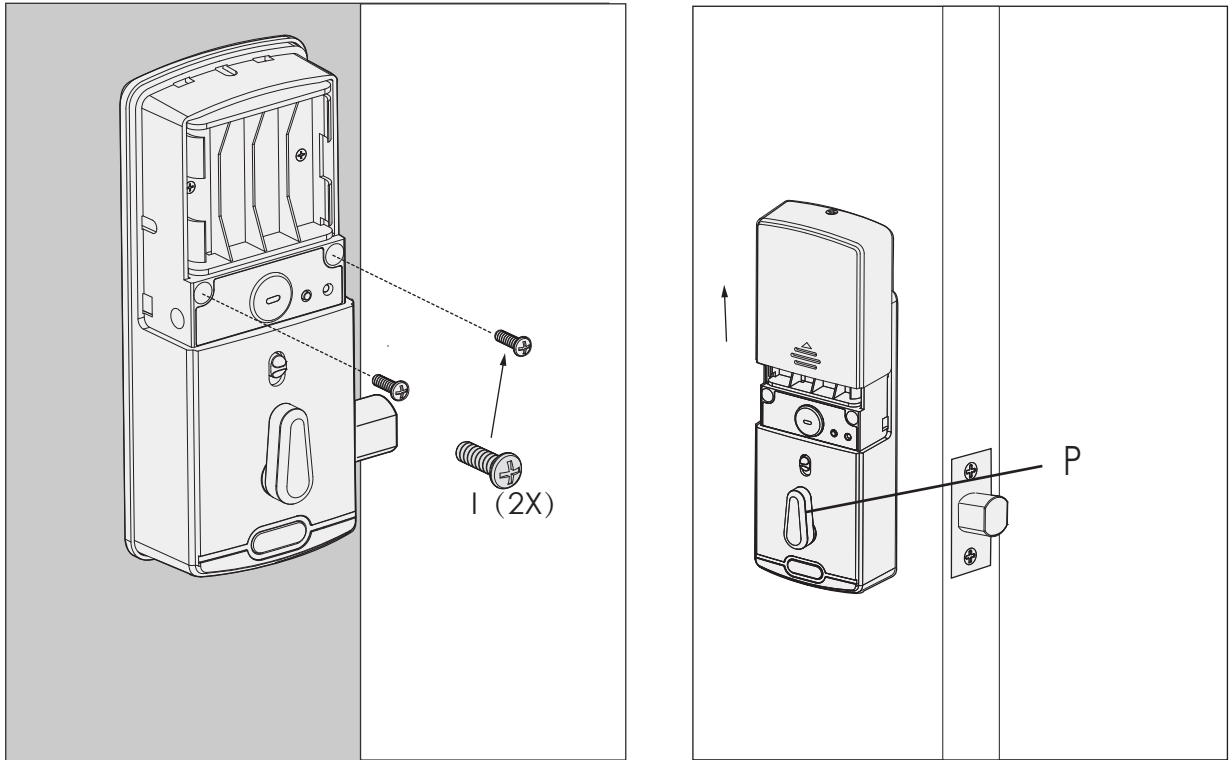
Torque Blade

Thumb turn shaft

Push the thumb turn shaft into the torque blade.

**MAKE SURE IT IS IN THE VERTICAL POSITION**

## STEP 7: SECURING Lockly SECURE



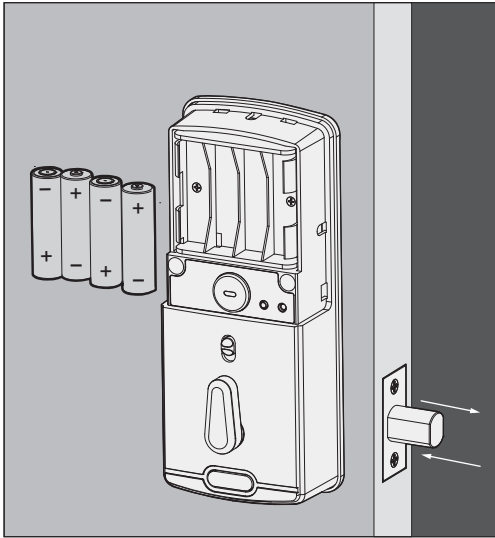
Make sure the thumbturn (P) is in a vertical position.


Make sure the cover is removed so you can install batteries, but don't install batteries yet.



**Warning: Do not install the batteries yet!**

## STEP 8: INSTALLING BATTERIES



First install 3 of the 4 batteries. Before installing the last battery, press and hold the PROGRAM button  while installing the last battery until you hear a beep from Lockly.

Lockly will then perform a self check and the keypad screen will start to initiate. This self check will automatically determine and set your door lock to a left open or right open door.

The self-check process is very important step to ensure the installation is done properly.

After the lock finished the self-check, manually lock and and unlock your door by using the thumb turn and the key to make sure the deadbolt moves smoothly. If you feel that there is a tight tension while you are turning, it means that the lock may have not been installed straight. Go back to Step 2 and re-install the lock.

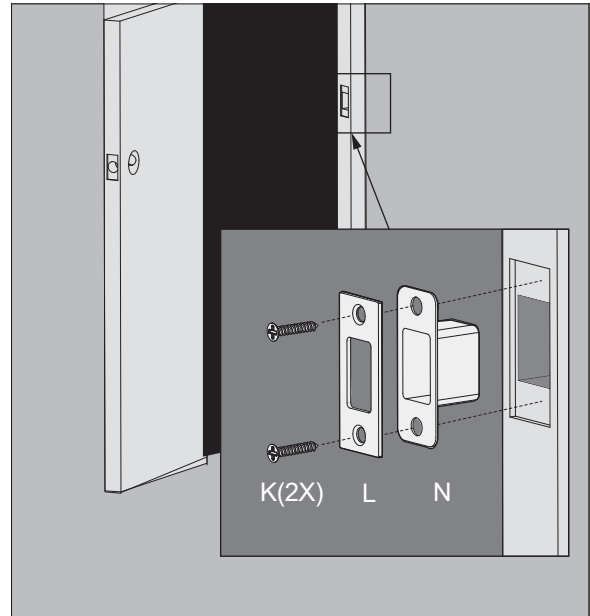
To check if your lock was installed correctly, manually unlock your door by using the thumb turn, then brush your hand across the screen on the outside. Your lock should lock the dead bolt. If your lock automatically unlocks after it has been locked, it means that your lock was installed incorrectly - proceed to Step 2 to make sure your lock was installed with the dead bolt extended and the torque blade was inserted vertically while the dead bolt was extended.

## STEP 9: INSTALLING DOOR STRIKE

### Install the door strike.

Install the door strike to your door frame and proceed to the last step of installation of your new lock. You may use our supplied door strike or use your existing door strike as long as the dead bolt moves smoothly in and out of the door strike.

As there are many types of doors, you may need to make slight adjustments so the dead bolt moves smoothly. If anything is rubbing against the deadbolt when locking and unlocking, you may experience a warning sound (rapid beeping) indicating that the lock is experiencing misalignment or something is blocking the deadbolt.



You have completed the Lockly Secure physical lock installation. You can add Live Monitoring and Voice Assistant Control with the Google Assistant or Amazon Alexa via installing the Secure Link Wi-Fi Hub and Door Sensor (included with Lockly Secure Pro and also sold separately). Please proceed to next page for Secure Link Installation.

For Secure and Secure Plus, download the Lockly app from the iOS or Google Play app Store. Follow on-screen instructions to complete your setup and installation.

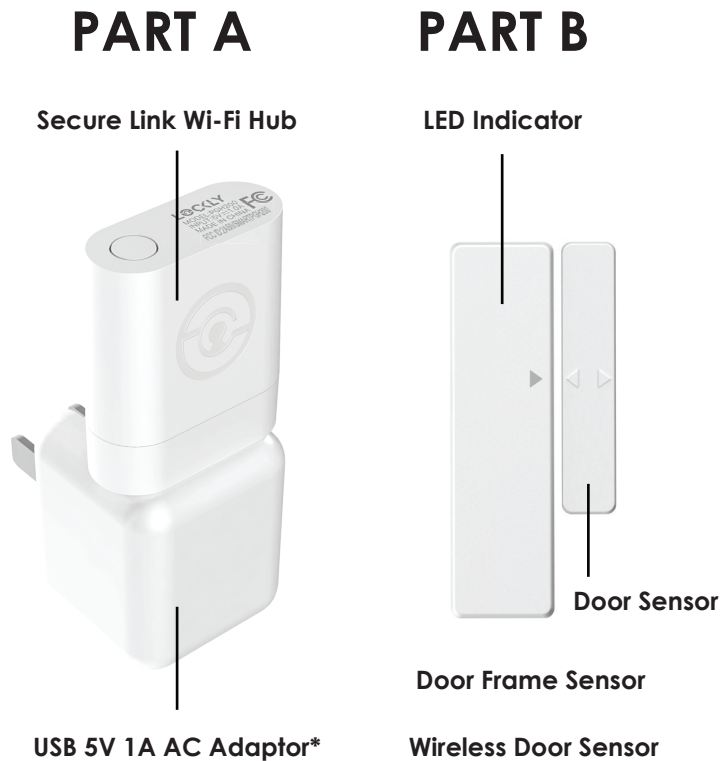


**Scan or visit [Lockly.com/app](https://lockly.com/app)**

## STEP 10: INSTALLING THE SECURE LINK WI-FI HUB

The Lockly Secure Link Wi-Fi Hub comes in two parts. Each part of the Secure Link is crucial to enable voice assistant features and live monitoring and control of your Lockly device.

The Wireless Door Sensor is optional but highly recommended as they provide the ability to verify that your door is securely closed and not ajar.



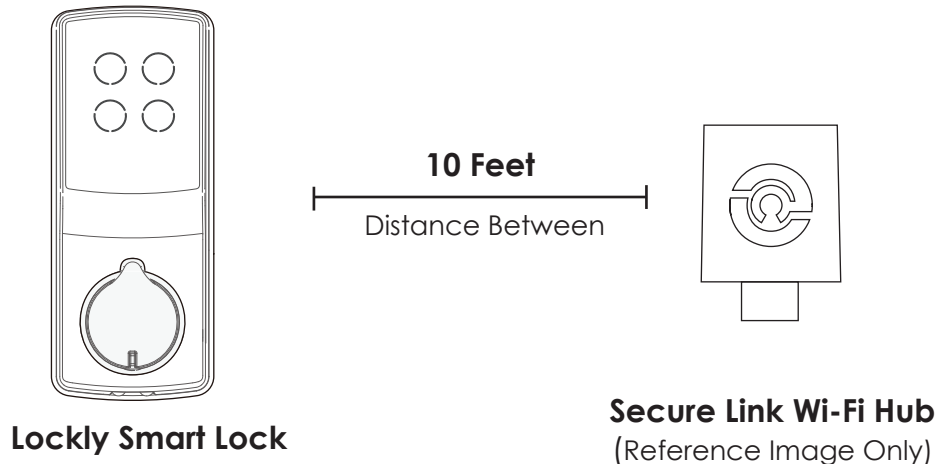
*\* You may plug the USB Secure Link Wi-Fi Hub into any UL Certified 5V 1A USB outlet, however we recommend using ours for best performance. Power adaptor supplied in this box is based on standard power plug and socket used by country.*

## STEP 11: SETTING UP THE SECURE LINK WI-FI HUB

You should install the Secure Link Wi-Fi Hub after you have successfully finished installation and set up of your Lockly Smart Lock. Refer to your appropriate Lockly Smart Lock Installation Guide and User Manual that came with the lock for reference.

The Secure Link Wi-Fi Hub (Part A) can be plugged into any standard 5V 1A USB port or use the UL certified USB AC adapter included in this box (recommended).

For best connectivity, the Secure Link Wi-Fi Hub must be installed within 10 feet of your Lockly Smart Lock. You may experience delayed or intermittent connectivity if the Secure Link Wi-Fi Hub is installed further than 10 feet away from the Lockly Smart Lock.



In order for your Secure Link Wi-Fi Hub to connect to the internet, you must have a Wi-Fi network with a radio signal emitting 2.4 GHz. All modern Wi-Fi devices support 2.4 GHz connections while some equipment supports both 2.4 GHz and 5 GHz. Please check with your network administrator or internet provider if you're unsure what kind of network you have.

Plug the Secure Link Wi-Fi Hub into the 5V 1A USB AC adapter and plug the AC adapter to your wall socket.



**USA Outlet Shown**

A **RED** LED indicator light will flash slowly to indicate that the Wi-Fi Hub is ready to connect.



**LED Indicator is located next to the Setup Button**

Once you have confirmed that your Secure Link Wi-Fi Hub is ready to connect to your lock, open the Lockly app to get started.



In case you have not downloaded our app, you can scan the QR code to the left or visit <https://lockly.com/app>



Make sure you have already created an account and setup your Lockly device to the Lockly app to continue.

Before you continue the Secure Link Wi-Fi Hub set up on your app, proceed to the next page to learn more about using the Secure Link Wi-Fi Hub and best practices for connectivity.

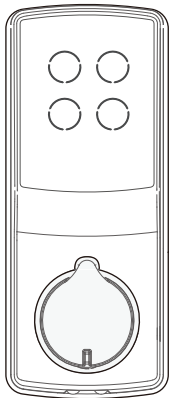


## STEP 12: USING THE SECURE LINK WI-FI HUB

Before you set up your Wi-Fi Hub, make sure you are standing in between your Lockly Smart Lock and Secure Link Wi-Fi Hub. For best connection, the distance between the Wi-Fi Hub and your smart lock should be 10 feet or less.

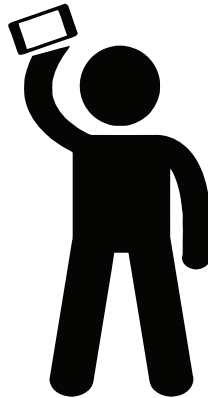
### Lockly Smart Lock

*Shown  
as reference only*



### You

*Using an iOS or Android  
Device with Bluetooth & Wi-Fi enabled*



### Secure Link Wi-Fi Hub

*Part A Shown Above  
as reference only*



**10 Feet**



Distance Between

The Secure Link requires a strong wireless signal for optimal performance. Make sure the Secure Link will be installed in a location with a strong 2.4 Ghz wireless signal.

Proceed to the next page to read how to finish set up of your Wi-Fi Hub.

# Secure Link Installation Checklist.



I'm excited for my new Lockly smart lock, now compatible with Alexa and the Google Assistant.



You have a Lockly Smart Lock already, and now adding the Wi-Fi Hub



The Secure Link Wi-Fi Hub is installed within 10 feet of your Lockly Smart Lock



You have the Lockly App installed on your iOS or Android device.



Your smartphone Bluetooth connection is ON and connected to your Lockly device.



You are standing between your smart lock and the Secure Link Wi-Fi Hub.



Your Secure Link Wi-Fi Hub is located in a location with a strong Wi-Fi signal.



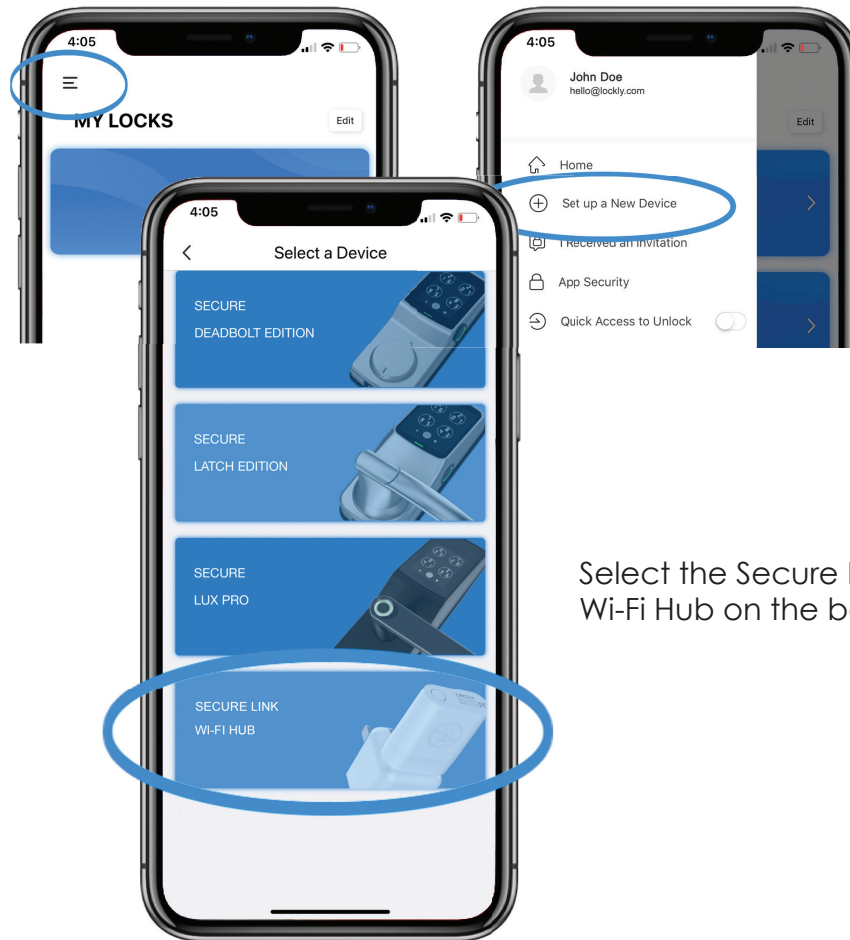
You are currently connected to a 2.4 GHz Wi-Fi Network (802.11 B/G/N) on your iOS or Android device.

Be sure you check off the above 6 boxes before proceeding. If any of the boxes are not checked, you may experience intermittent or delayed response time in notifications.

*\*Requires successful installation of the Secure Link Wi-Fi Hub and connected to a strong internet connection*

## STEP 13: CONFIGURING THE SECURE LINK WI-FI HUB

First, make sure the smartphone you are using to add the Wi-Fi Hub is connected to your 2.4 GHz Wi-Fi Network. Next, open your Lockly App and select the main menu from the upper left corner. (Image shown with iOS demo). Once the menu opens go ahead select "Set up a New Device"



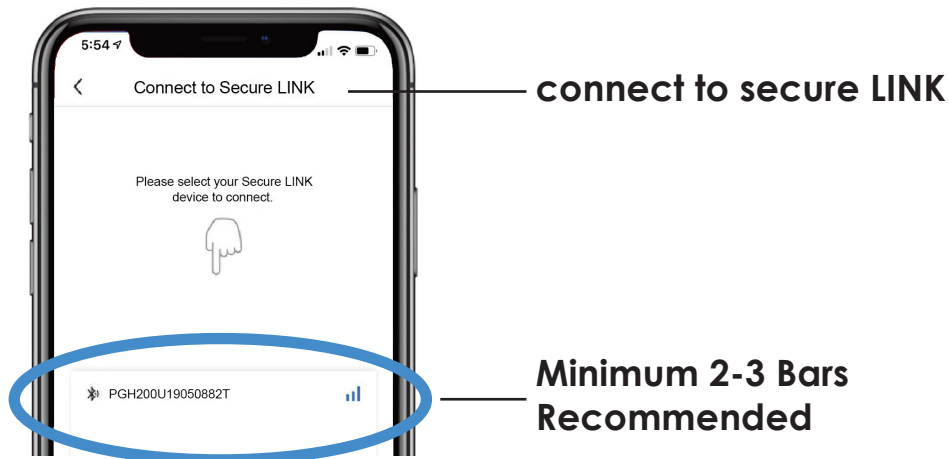
Select the Secure Link  
Wi-Fi Hub on the bottom

**NEXT >**

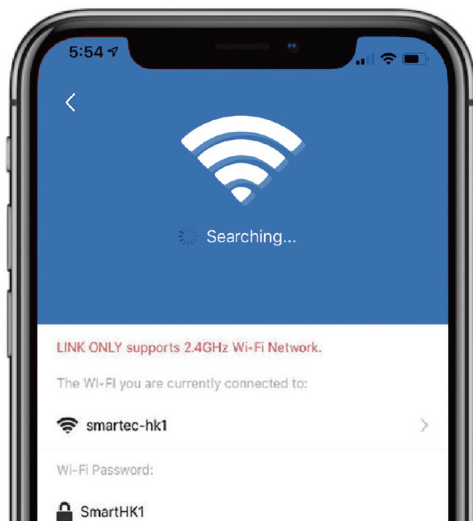
If you have never connected the Secure Link Wi-Fi Hub to your smart lock, the Secure Link should have a slow flashing **RED** LED Indicator. Press and hold the Setup Button located on the top of the Wi-Fi Hub for 3 seconds until you see the **GREEN** LED Indicator start to rapidly flash.




If you don't see anything appear with a Bluetooth icon and a name starting with PGH200... simply click the Refresh button on the upper right to rescan. Make sure your Wi-Fi Hub is showing a flashing **GREEN** LED indicator and the Wi-Fi Hub is within the optimal distance of 10 feet from your lock. Select the desired Wi-Fi Hub to continue.



If you are already connected to a 2.4 Ghz compatible Wi-Fi network, it should display the network name. (See example below)



Enter your Wi-Fi password in the next line next to the  icon, then click "Next Step" to continue.

Select if your Wi-Fi Hub LED Indicator light is ON and **SOLID GREEN**.

Select if your Wi-Fi Hub LED is flashing **GREEN**.

NOTE: If the LED is flashing RED, please check if your WiFi network is properly working. Please check with your network administrator or internet provider if you're unsure.



*\*Actual screen may differ depending on device and app version  
Please follow on -screen instructions.*

# Congratulations! Your Secure Link Wi-Fi Hub is now set up.

Below are some quick information for troubleshooting.



## No Indicator Light

Your Wi-Fi Hub has no power.  
Check your the power supply.



## Rapid GREEN Light Flashing

Your Wi-Fi Hub is in setup mode.  
Setup mode can be entered by pressing  
the setup button for 2 seconds.

Setup mode will last approx 2 minutes.



## Slow RED Light Flashing

Your Wi-Fi Hub has power.  
It's not connected to any  
wireless network.



## Solid GREEN Light

Your Wi-Fi Hub is on and connected to  
an active 2.4 Ghz wireless network.

**CONTINUE TO NEXT PAGE TO INSTALL DOOR SENSOR >**

## STEP 14: ADDING THE DOOR SENSOR

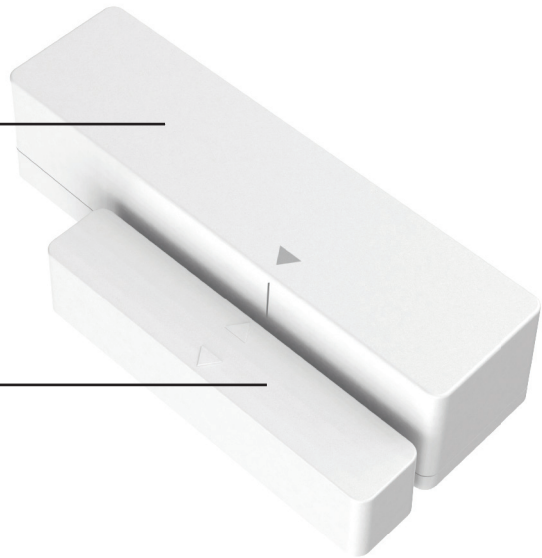
Adding the door sensor (Part B) is optional, however we strongly recommend installing the Door Sensor as it provides the ability to verify that your door is securely closed and not ajar and also send push notifications to your phone on the status of your door when someone opens and closes the door.

Depending on your door orientation, your Door Sensor will be mounted different ways. The Door Sensor comes in two parts.

**Door Sensor is required if you are intending to use Amazon Alexa or the Google Home Assistant.**

**Part 1 - Door Frame Sensor**

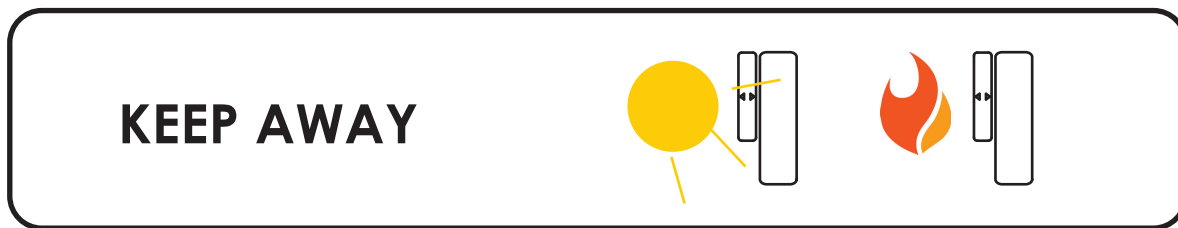
**Part 2 - Door Sensor**



Make sure you install the Door Sensor indoors on a clean and dry surface. Gently wipe the surface of your door and door frame where you wish to install the Door Sensor and make sure it's dry before installing.

**NEXT >**

Keep the Door Sensor away from direct sunlight, high heat locations and large metal objects that may interfere with wireless signals.



The optimal location to install the Door Sensor is on the upper corners of your door, away from the reach of children and pets.

**WHEN FACING YOUR DOOR  
FROM THE INSIDE, DOOR HINGES  
ARE ON THE RIGHT SIDE**



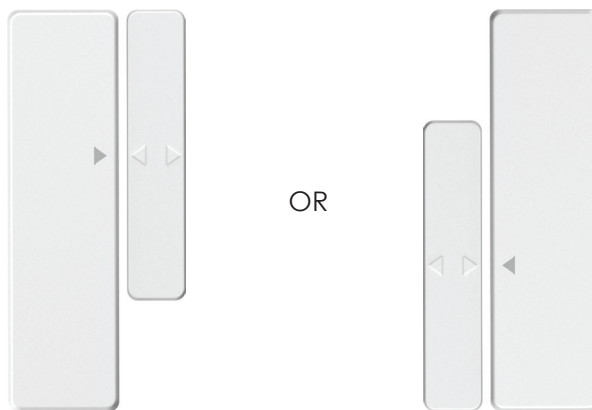
**WHEN FACING YOUR DOOR  
FROM THE INSIDE, DOOR HINGES  
ARE ON THE LEFT SIDE**



**DON'T INSTALL SENSOR YET. NEXT >**



When you are installing the Door Sensor, make sure the arrows on the Door Sensor is placed next to the arrow from the Door Frame Sensor.



When installed on your door, the distance between the Door Sensor and the Door Frame Sensor must be less than 3/4" in order for the sensor to work.



**Gap - less than 3/4" when installed.**

When you are ready to install, pull the plastic tab at the back of the Door Frame Sensor to activate the sensor.

Peel off the protective paper on the double sided tape to expose the adhesive and apply securely to your door and door frame.

Follow the On-Screen instructions on the app to test your Door Sensor.

**NEXT >**

# Congratulations! The Door Sensor is now set up.

The Secure Link Wi-Fi Hub works with other Smart Home devices. Check on the status or remote lock and unlock your door by your voice using Amazon Alexa or the Google Home Assistant.



To setup your lock to work with either of those platforms, download the Amazon Alexa or the Google Home Assistant app and add a new skill with Amazon Alexa or an Action with the Google Home Assistant.

**Add the “Lockly” Skill (Alexa) and Action (Google)  
then follow on screen instructions to finish set up.**

**For a full list of commands, help videos or to troubleshoot your  
Secure Link Wi-Fi Hub visit us at <https://lockly.com/help>**



**Certified**

**FCC Warning :**

This device complies with Part 15 of the FCC Rules. Operation is subject to the following two conditions: (1) This device may not cause harmful interference, and (2) this device must accept any interference received, including interference that may cause undesired operation.

**NOTE 1:** This equipment has been tested and found to comply with the limits for a Class B digital device, pursuant to part 15 of the FCC Rules. These limits are designed to provide reasonable protection against harmful interference in a residential installation. This equipment generates, uses and can radiate radio frequency energy and, if not installed and used in accordance with the instructions, may cause harmful interference to radio communications. However, there is no guarantee that interference will not occur in a particular installation. If this equipment does cause harmful interference to radio or television reception, which can be determined by turning the equipment off and on, the user is encouraged to try to correct the interference by one or more of the following measures:

- Reorient or relocate the receiving antenna.
- Increase the separation between the equipment and receiver.
- Connect the equipment into an outlet on a circuit different from that to which the receiver is connected.
- Consult the dealer or an experienced radio/TV technician for help.

**NOTE 2:** Any changes or modifications to this unit not expressly approved by the party responsible for compliance could void the user's authority to operate the equipment.

**FCC Radiation Exposure Statement**

The Secure Link Wi-Fi Hub complies with FCC radiation exposure limits set forth for an uncontrolled environment. It should be installed and operated with minimum distance 20cm between the radiator & your body.

**IC WARNING**

This device contains licence-exempt transmitter(s) that comply with Innovation, Science and Economic Development Canada's licence-exempt RSS(s).

Operation is subject to the following two conditions:

**NEXT >**

- (1) This device may not cause interference.
- (2) This device must accept any interference, including interference that may cause undesired operation of the device.

L'émetteur/récepteur exempt de licence contenu dans le présent appareil est conforme aux CNR d'Innovation, Sciences et Développement économique Canada applicables aux appareils radio exempts de licence. L'exploitation est autorisée aux deux conditions suivantes:

1. L'appareil ne doit pas produire de brouillage;
2. L'appareil doit accepter tout brouillage radioélectrique subi, même si le brouillage est susceptible d'en compromettre le fonctionnement.



**WARNING:** This product contains DEHP and other chemicals known to the State of California to cause cancer and birth defects, or other reproductive harm. For more information go to [www.P65Warnings.ca.gov](http://www.P65Warnings.ca.gov)

**LOCKLY** **SECURE**



**We're here to help!**  
**[help@lockly.com](mailto:help@lockly.com)**  
**<https://lockly.com/help>**



For an online version of this installation guide and videos, visit:

**<http://lockly.com/help>**