



## ZIP SYSTEM™ STRETCH TAPE

### MANUFACTURER

Huber Engineered Woods LLC  
 10925 David Taylor Drive, Suite 300, Charlotte, NC 28262  
 800.933.9220 • Technical Service: 800.933.9220 x2716  
 ZIPSystem.com • HuberArchitectLibrary.com

### BASIC USE AND APPLICATIONS

ZIP System™ stretch tape is a code-recognized flashing tape that stretches and forms around irregular and difficult to seal areas like window rough openings, curved window heads, and wall and roof penetrations. It is UV radiation resistant and highly effective at sealing up the exterior building envelope. Unlike most other flashing tapes, ZIP System stretch tape is compatible with flexible PVC windows.

ZIP System stretch tape easily stretches to fit difficult to flash areas with a single piece without having to piece tape segments together. This avoids tape seams or joints. ZIP System stretch tape is made of a high-performance composite acrylic adhesive and a strong, yet stretchable, acrylic foam core. The tape conforms to challenging applications and locks out moisture over mismatched surfaces when correctly applied. ZIP System stretch tape can be pulled up and reapplied for easy, fast, and hassle-free installation that provides a tight seal against weather intrusion.

ZIP System stretch tape can be used for a wide range of applications including:

- Window rough opening sill pans.
- Wall penetrations
- Curved window heads
- Cantilevered beams

### ADVANTAGES

ZIP System stretch tape is a multi-purpose acrylic tape with a robust and aggressive acrylic adhesive. The intertwined polymer chains provide excellent internal strength and durability. The tape's advanced acrylic adhesive is made of highly polar molecules; the resulting attraction pulls the tape to the ZIP System® panel. This helps the tape wet out and flow into panel ridges and produce a weather tight seal. The strong, yet stretchable, acrylic foam core allows for continuous single-piece flashing around pipes, beams, rough openings and other difficult to flash applications. The ZIP System stretch tape satisfies the requirements of AC148 and AAMA 711-13 as represented in IAPMO ER-365.

The use of ZIP System stretch tape as flashing material is recognized for use on Type V construction under the IBC and non-fire-resistance-rated construction under the IBC and IRC.



ZIP System™ Stretch Tape	
Maximum Exposure Time	180 Days
Adhesive Type	Acrylic
Installation Temperature Range	20 °F – 120 °F
Compatibility	Compatible with flexible PVC used in vinyl windows
Tensile Strength	225 psi
Elongation	800-1200%
Code Acceptance	IRC and IBC compliance recognized by IAPMO ER-365
Performance Standard	AAMA 711-13 compliant

### SIZE

ZIP System stretch tape is available in 75 ft (22.8 m) long rolls in a 6-inch (152 mm) roll width, is 42 mils thick and is packaged with a release liner.

### SUBSTRATE

Prior to application, ensure that the surface to be taped is dry and free of frost, dust, dirt, loose fasteners, and other protrusions. Apply tape when ambient air and substrate are above 20 °F (-6 °C).

### TAPE INSTALLATION

Refer to installation instructions on [huberwood.com](http://huberwood.com) or [huberarchitectlibrary.com](http://huberarchitectlibrary.com) for detailed instructions and illustrations for application of ZIP System Stretch Tape to sheathing, flanged windows, brick mould windows, penetrations, and openings. Apply tape as additionally prescribed in IAPMO ER-365. Tape should be covered with a code-compliant roof or wall covering within 180 days of installation. ZIP System stretch tape is a pressure sensitive tape that must be rolled in (ZIP System Tape roller or similar) to achieve maximum bond to the panel.

## WINDOWS AND PENETRATIONS

Apply tape at wall openings and sheathing penetrations in manner described in window or door manufacturer's written instructions. Details of installation recommendations are available in AutoCAD or PDF formats at ZIPSystem.com or HuberArchitectLibrary.com

## STORAGE AND HANDLING

Store ZIP System stretch tape in the original packaging at a temperature not to exceed 90 °F (32 °C). Store in a clean, dry place.

When stored as recommended in its original unopened container the typical shelf life for ZIP System stretch tape is 9 months from the date of manufacture.

## WARRANTY

ZIP System stretch tape is furnished with a 30-year limited system warranty when used with ZIP System Sheathing. See ZIPSystem.com for details.

## AVAILABILITY

Huber Engineered Wood's ZIP System stretch tape is available through a vast network of distributors. Visit ZIPSystem.com or contact Huber Engineered Woods for a retailer near you.

## TECHNICAL SERVICE

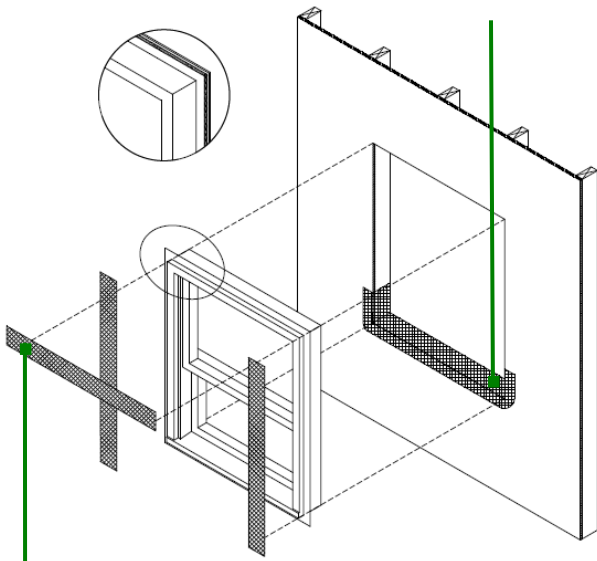
Detailed information including specifications, product literature, test reports, installation instructions, and special applications are available through Huber Engineered Woods. Please visit ZIPSystem.com or call 800.933.9220 x2716 to speak to a technical representative.

## AVAILABLE RESOURCES

Section 06 16 00 SHEATHING for ZIP System Roof and Wall Sheathing products in CSI 3-part format is available at ZIPSystem.com or HuberArchitectLibrary.com.

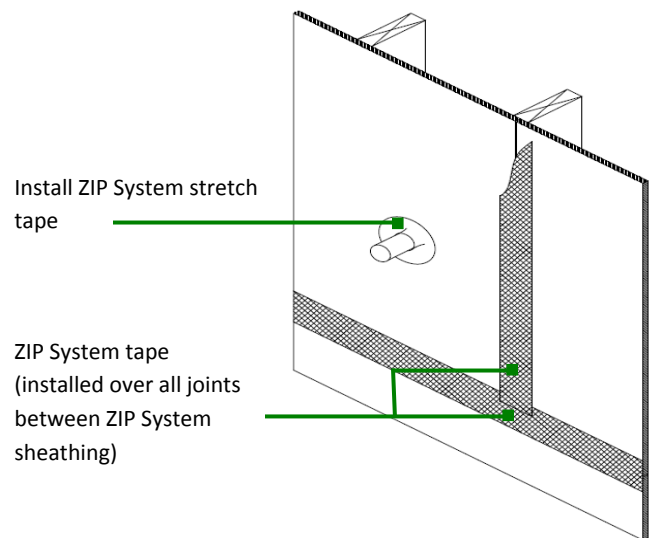
## WINDOW INSTALLATION DETAIL

Create a window pan using ZIP System stretch tape

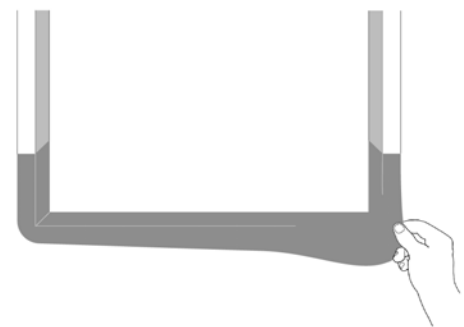
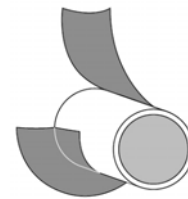
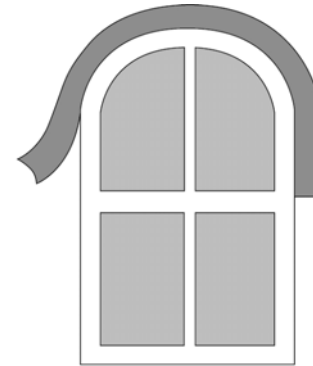


ZIP System tape or adhesive backed flashing (must meet AAMA 711 or AC148) sealed over window flanges. jambs

## ROUND PENETRATION DETAIL



## MULTIPLE USES FOR ZIP SYSTEM STRETCH TAPE



© 2015 Huber Engineered Woods LLC. ZIP System® is a registered trademark of Huber Engineered Woods LLC. Huber is a registered trademark of J.M. Huber Corporation. HUB-9004 05/15