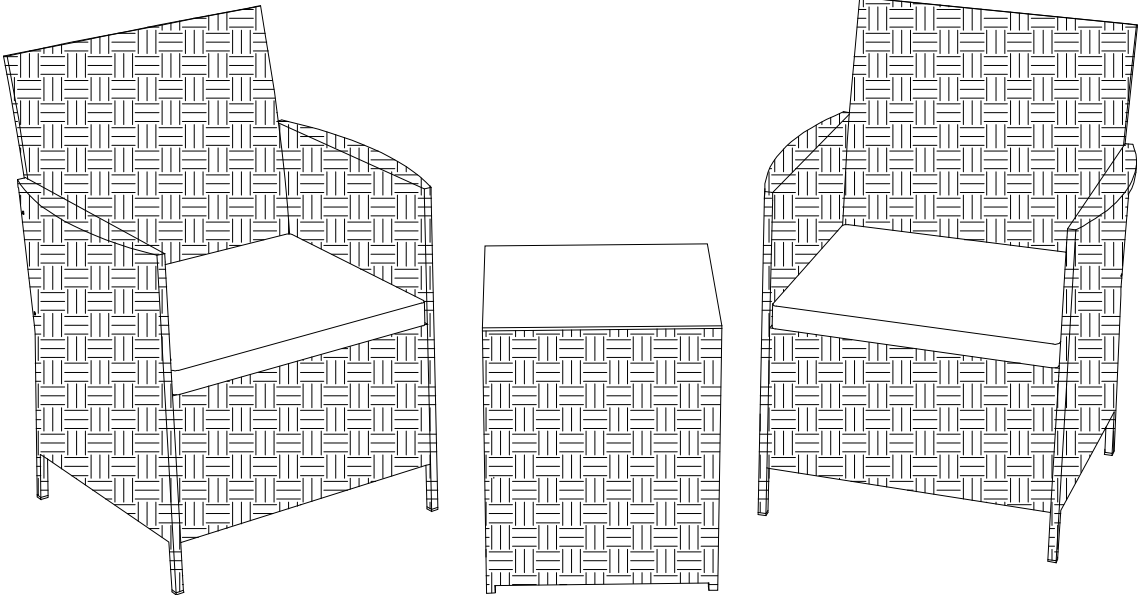


**ASSEMBLY INSTRUCTION**  
**ITEM#: S-BS1260SST**



**We have you in mind, let us help you!**

**\* DO NOT RETURN YOUR PRODUCT TO THE STORE \***

**Contact US FIRST**

<b>24 / 7</b> Toll Free 	<b>1-(866)-578-6569</b>
<b>24 / 7</b> Live Chat	 <b>Support</b> <a href="http://www.sunjoyonline.com">www.sunjoyonline.com</a>
<b>24 / 7</b> 	<a href="mailto:customer.care@sunjoygroup.com">customer.care@sunjoygroup.com</a>

## Safety Information

- ☒ One people are required for this assembly.
- ☒ Some parts may contain sharp edges. Wear protective gloves.
- ☒ When assembling and using this product, basic safety precautions should always be followed to reduce the risk of personal injury and damage to equipment. Please read all instructions before assembly and usage.



**CAUTION:** Standing on or misuse of this table may result in damage and injury. Read and follow mfg. assembly and use instructions. Not intended for commercial use.

**NOTICE:** For outdoor use only.



### **WARNING:**

**Keep all children and pets away from assembly area. Children and pets should be supervised when they are in the area of the Chair construction.**

**Keep assembly area at least 6 feet from any obstruction such as a fence, garage, house, overhanging branches, laundry line or electrical wires.**

**Check all bolts for tightness before use. IMPORTANT - check and tighten bolts often to keep them secure!**

## Warranty: 6 months

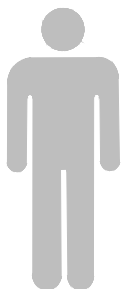
### WHAT IS COVER?

The limited warranty is extended to the original purchaser and applies to material and manufacturer's defect provided the item is maintained with care and used only for personal, residential purposes.

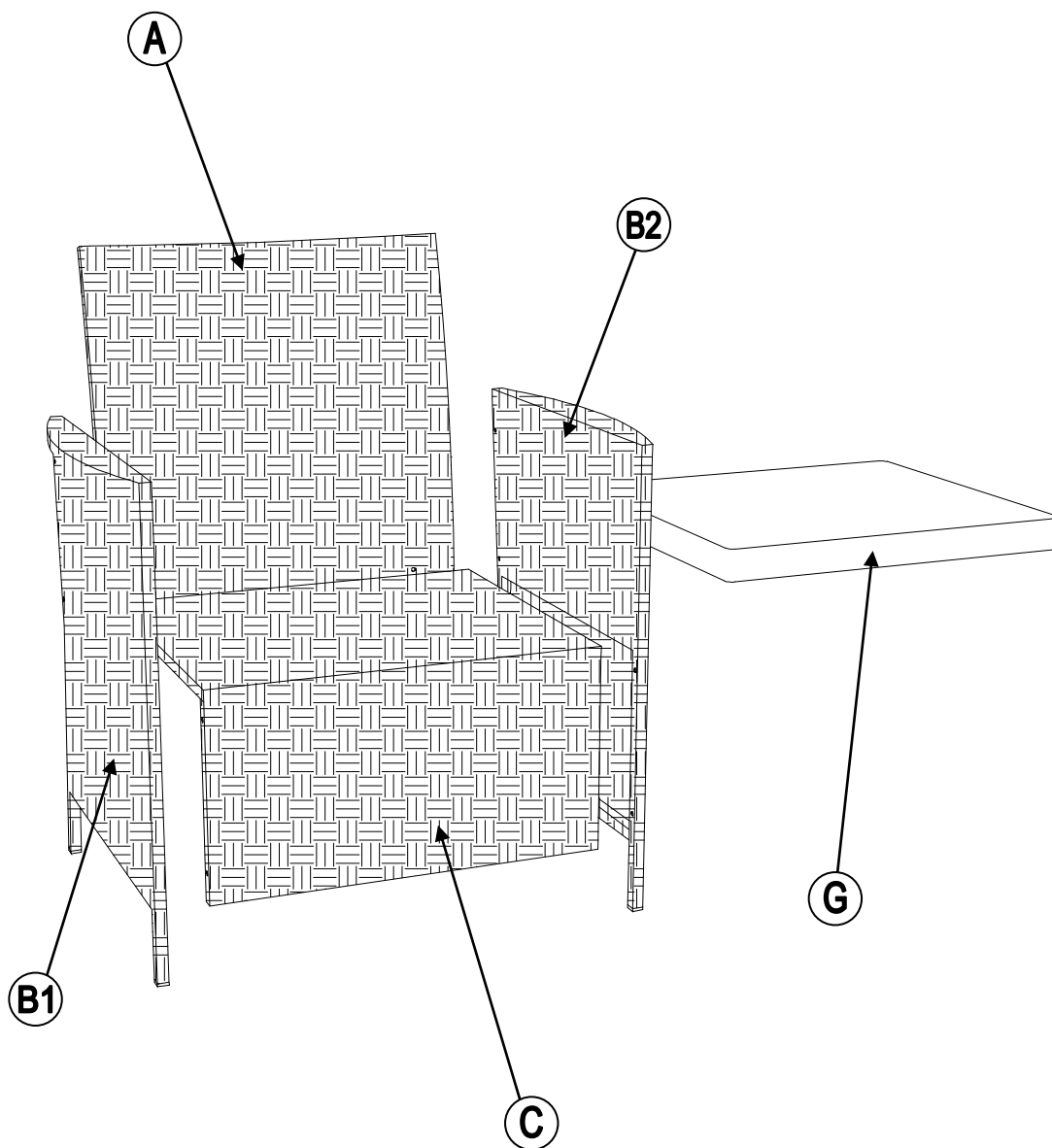
## IMPORTANT

KEEP THIS INSTRUCTION MANUAL FOR FUTURE REFERENCE.

### How many people needed for the installation work

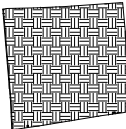
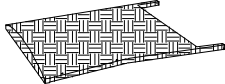
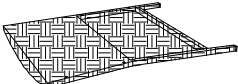
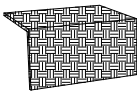

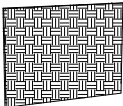
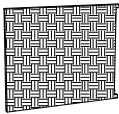



# EXPLODED DRAWING



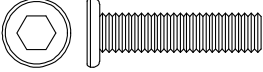
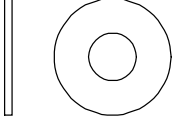
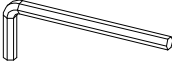
Country of Origin: China

Call 1-(866)-578-6569 for assistance.  
Or visit us at [www.sunjoyonline.com](http://www.sunjoyonline.com)

Parts List			
Label	Description	Qty	Part Image
A	Back	2	
B1	Right Chair Arm	2	
B2	Left Chair Arm	2	
C	Seat	2	
D	Table Top	1	
E	Short Side Frame	2	
F	Long Side Frame	2	
G	Cushion	2	

Country of Origin: China

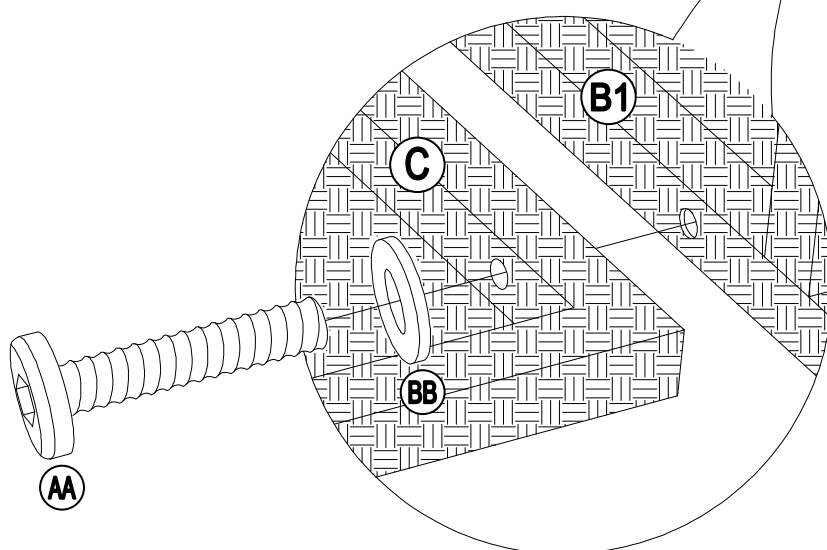
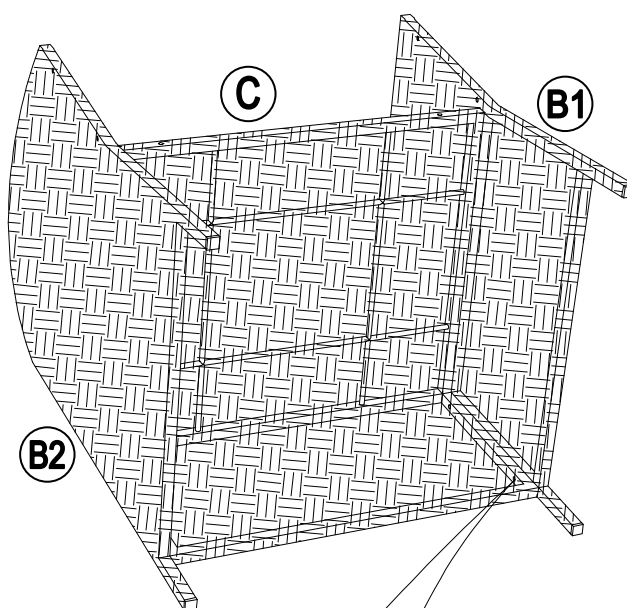
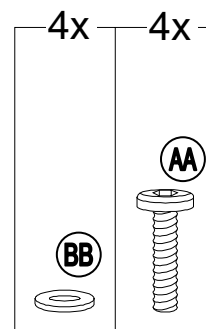
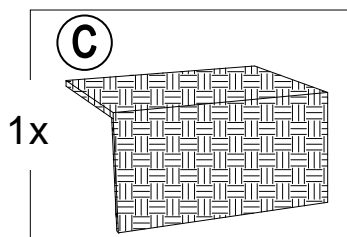
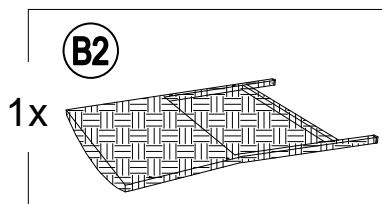
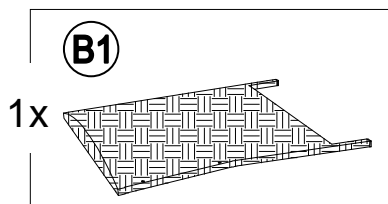
Call 1-(866)-578-6569 for assistance.  
Or visit us at [www.sunjoyonline.com](http://www.sunjoyonline.com)

Hardware Pack				
Label	Description	Qty	Add	Part Image
AA	Bolt M6*30	28	3	
BB	Flat washer M6	28	3	
CC	Wrench M6	1	0	

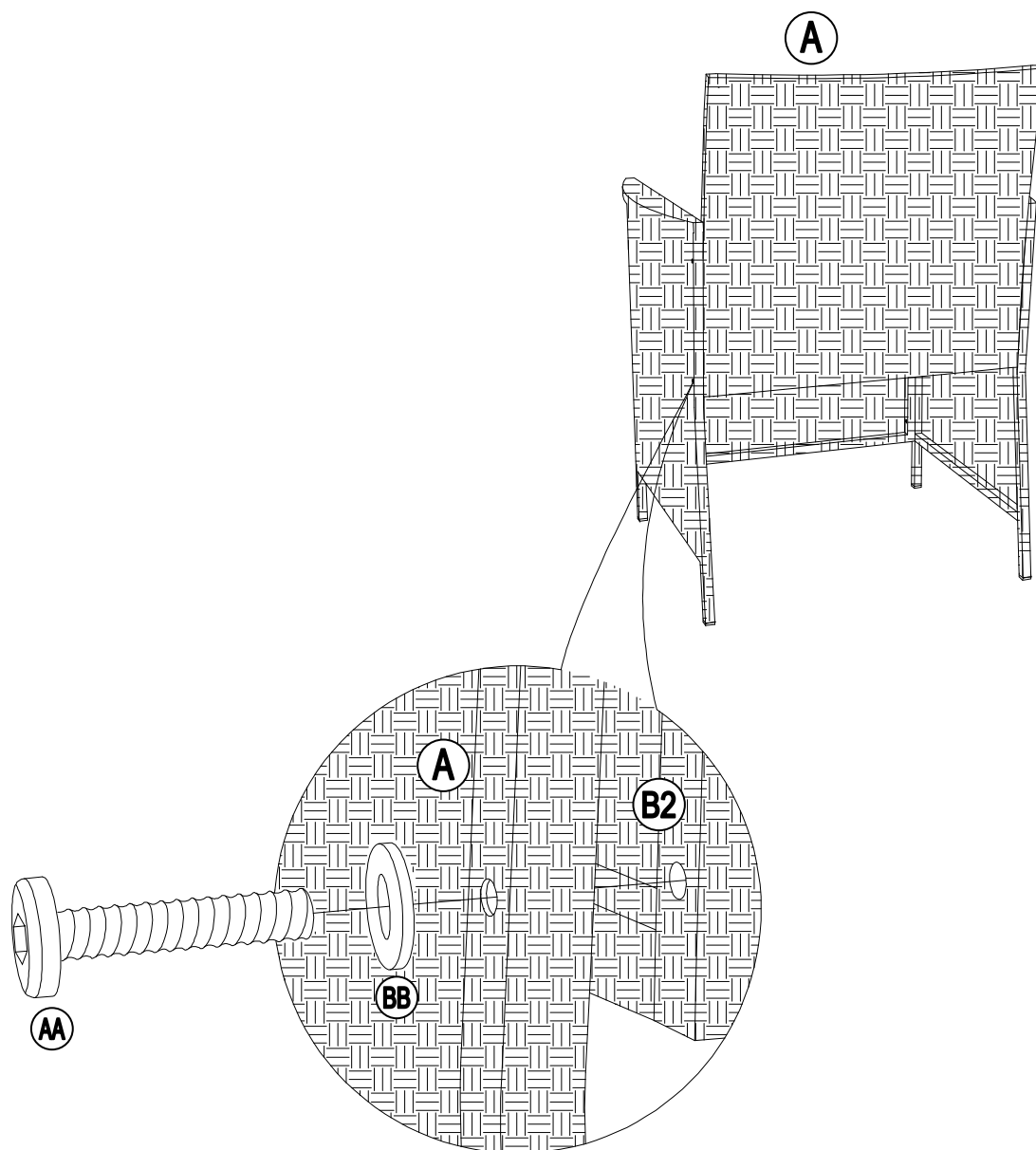
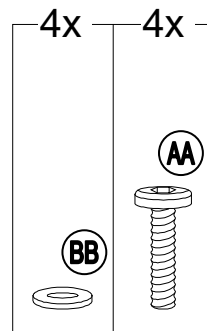
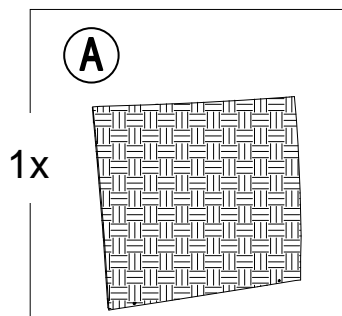
Country of Origin: China

Call 1-(866)-578-6569 for assistance.  
Or visit us at [www.sunjoyonline.com](http://www.sunjoyonline.com)

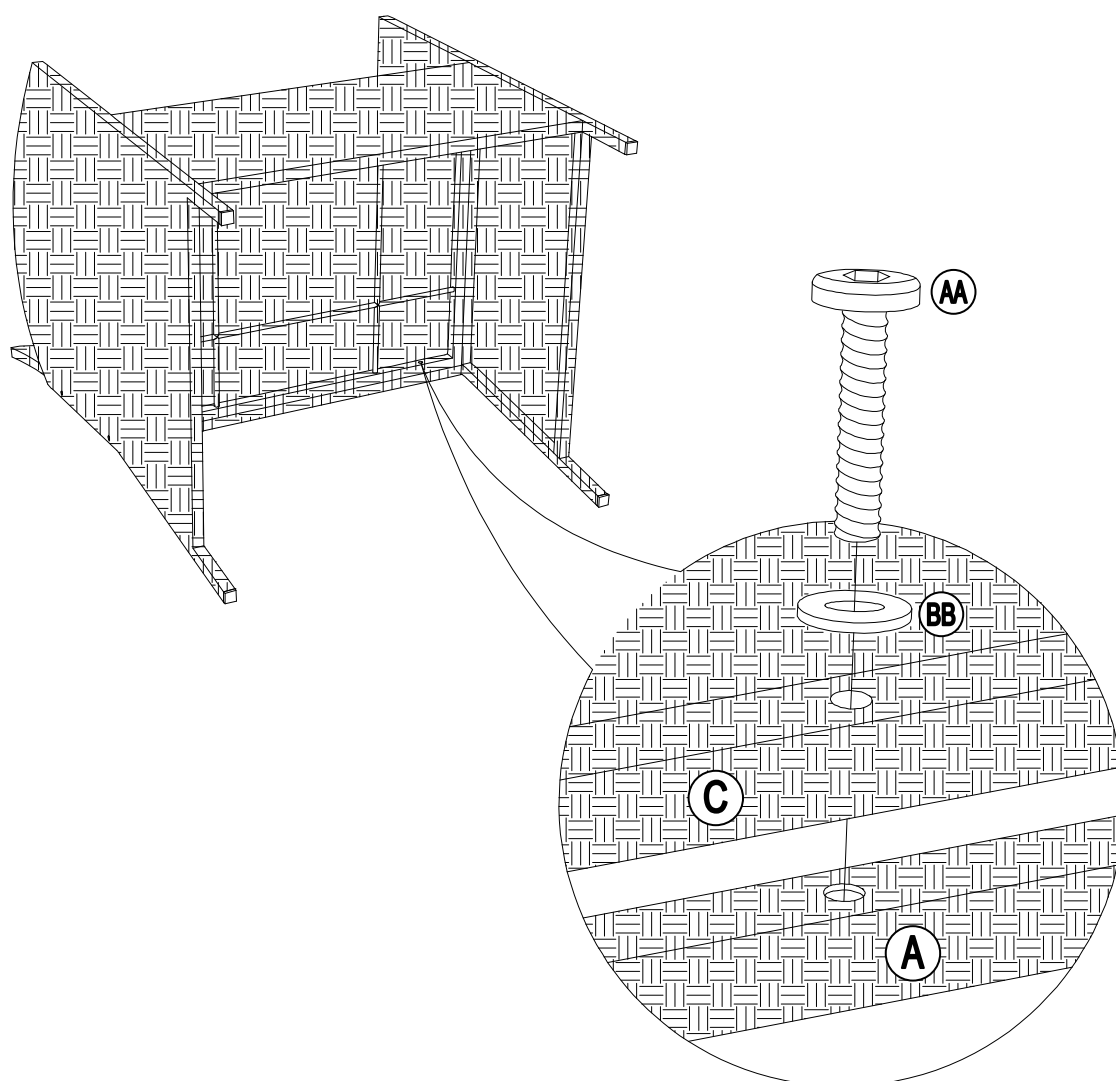
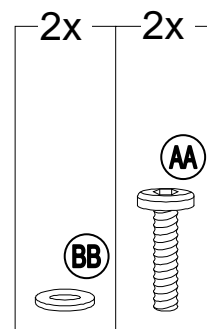
# 1



# 2

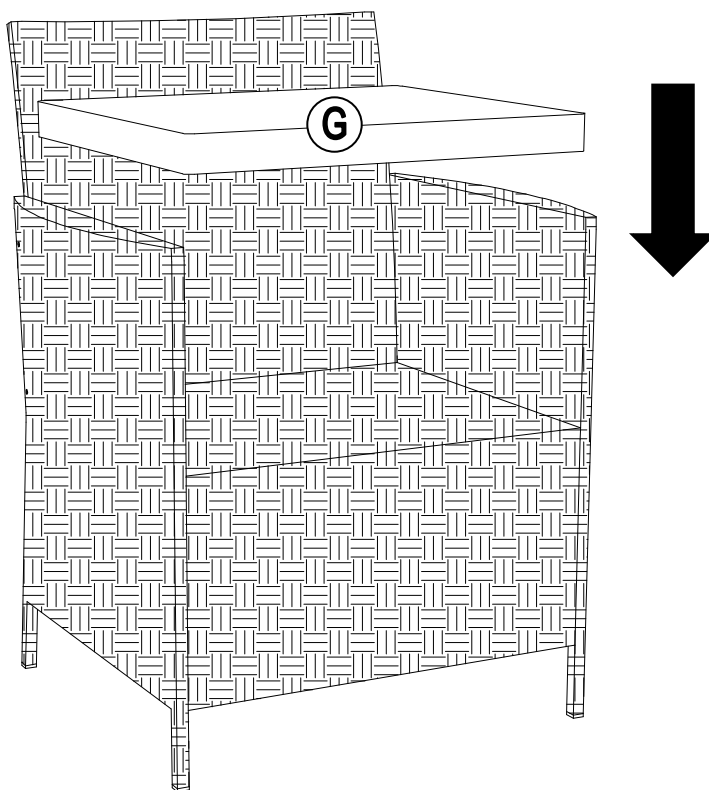
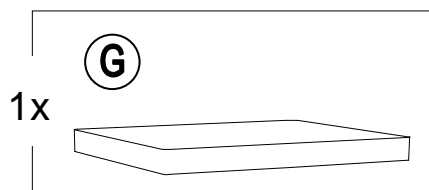


3

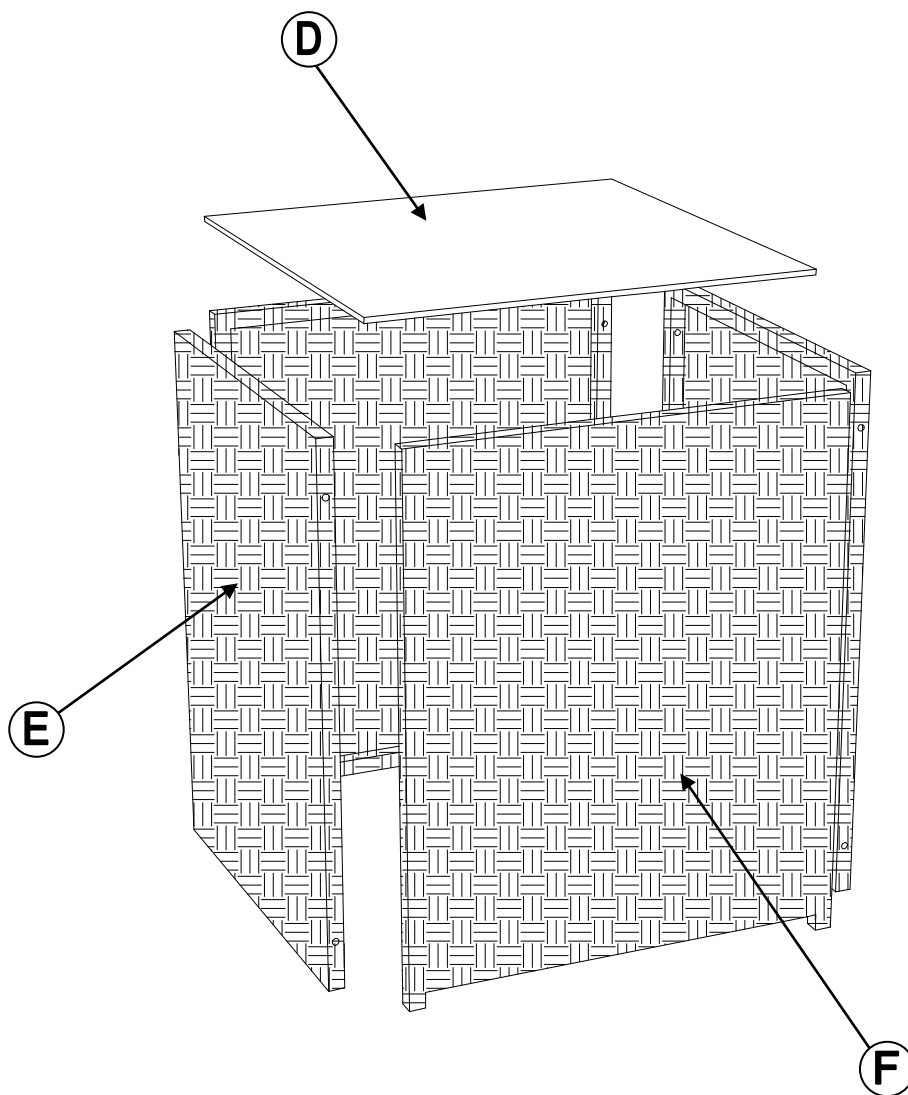




4



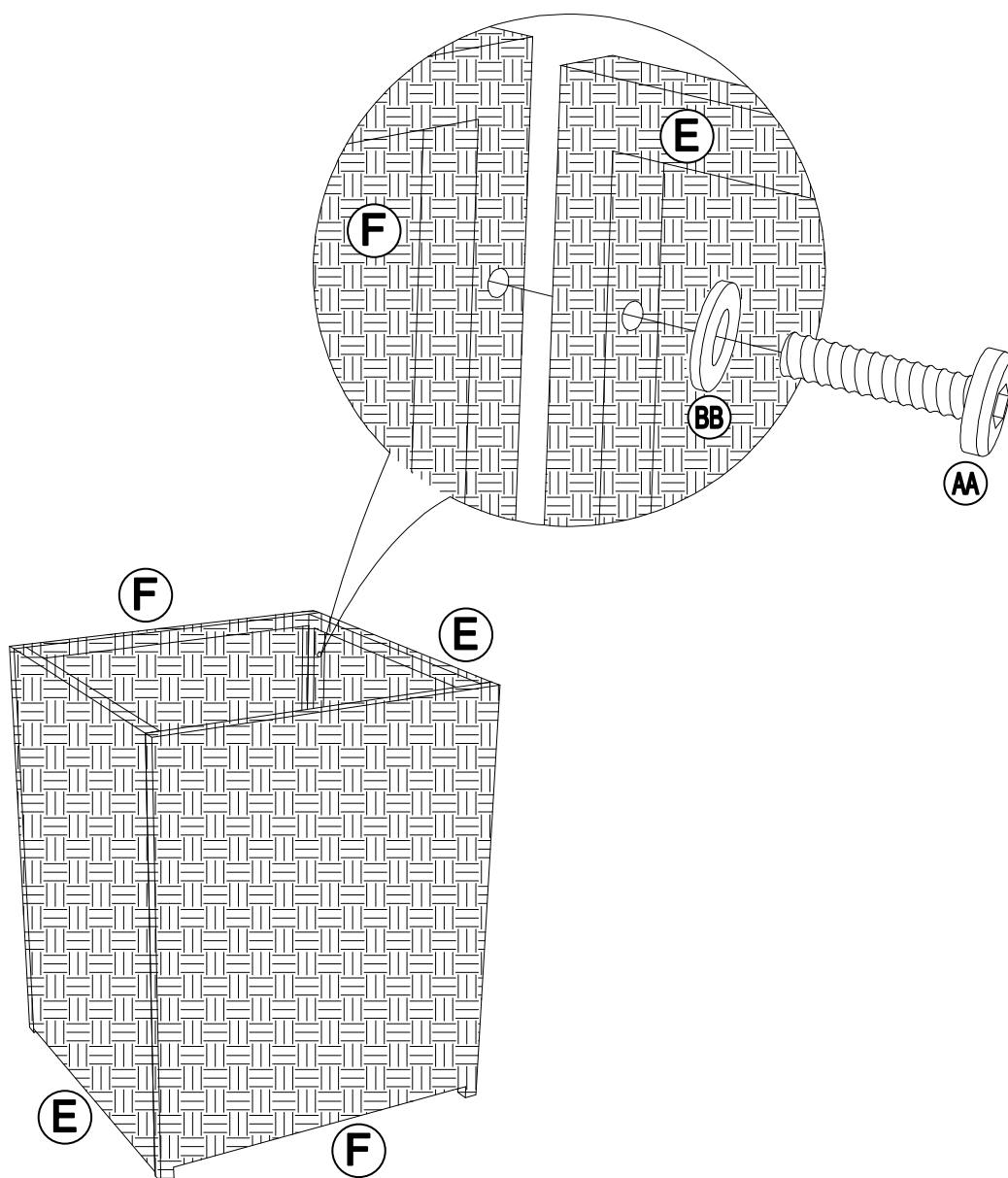
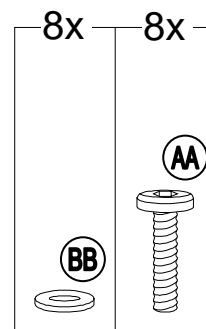
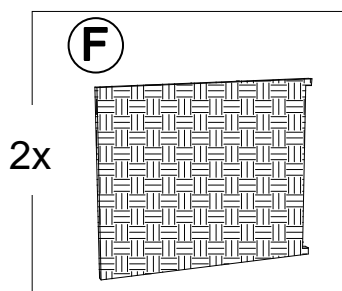
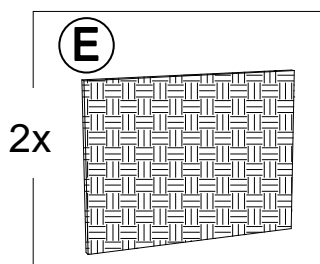
# EXPLODED DRAWING



Country of Origin: China

Call 1-(866)-578-6569 for assistance.  
Or visit us at [www.sunjoyonline.com](http://www.sunjoyonline.com)

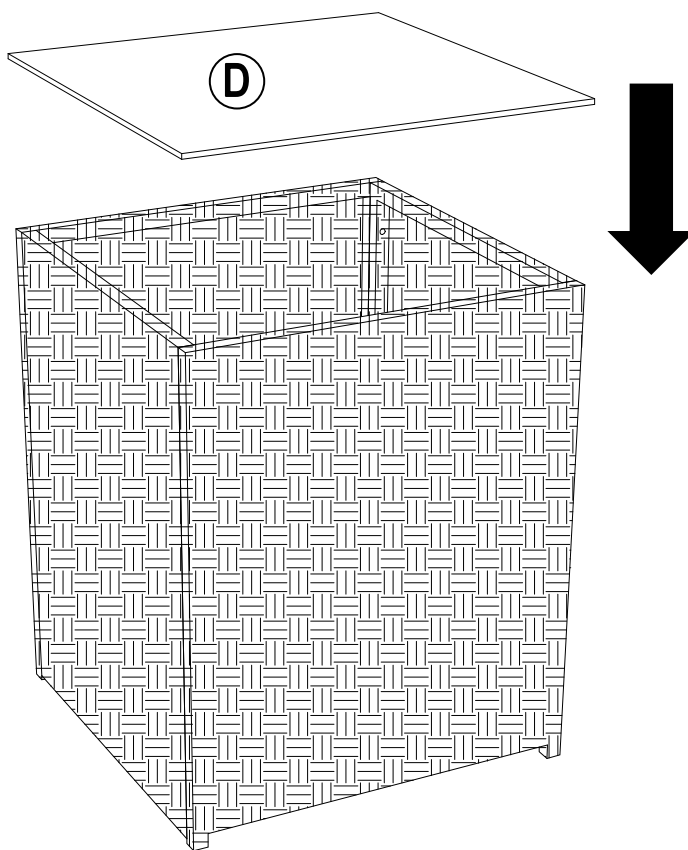
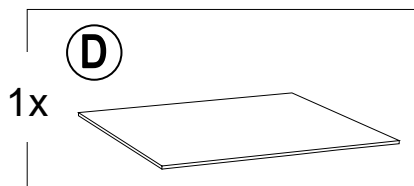
5



Country of Origin: China

Call 1-(866)-578-6569 for assistance.  
Or visit us at [www.sunjoyonline.com](http://www.sunjoyonline.com)

# 6



## Care and Maintenance

Before using, clean the Chair completely with a soft dry towel. When not in use, wipe free of any dirt or loose objects, wash with a mild solution of soap and water; rinse thoroughly and dry completely. Do not use strong detergent or abrasive cleaners. Over time nuts and bolts can loosen. Occasionally, check nuts and bolts, re-tighten if necessary.

## Limited Manufacturer's Warranty

SUNJOY Group warrants to the original purchaser that this item is free from defects in workmanship and materials for a period of 6 months from the date of purchase, provided the item was factory sealed at the time of purchase and is maintained with care and used only for personal, residential purposes. Should any manufacturing defect arise within this warranty period, SUNJOY Group will replace (at our option) any defective merchandise or parts upon proof of purchase; however, transportation and delivery costs, as well as payments to a third party for assembly or disassembly of the item, remain the responsibility of the purchaser. A purchaser of an "open box," previously-returned, or "clearance" item, as well as original purchasers outside of the warranty period, may obtain replacement parts from SUNJOY Group for products in current production, at nominal cost.

## Exclusions:

Items used for commercial, contract, or other non-residential purposes, or items damaged due to acts of nature, vandalism, misuse, or improper assembly are not covered. Corrosion or rusting of hardware is not covered. Proof of purchase (dated register receipt) is required for warranty claims. Warranty is to the original purchaser and is non-transferable. Any replacement of warranted items will be in the original style and color, or a similar style and color if the original is unavailable or has been discontinued. As some states do not allow exclusions or limitations on an implied warranty, the above exclusions and limitations may not apply. This warranty gives you specific rights, and you may also have other rights, which vary from state to state.