

**User Manual** (2~21)

**Manual de usuario** (22~41)

**Guide d'utilisation et manuel  
d'installation** (42~59)

**Warranty** (60~61)

# SmartBidet

SB-2000 Electronic Bidet

E  
N  
G  
L  
I  
S  
H

S  
P  
A  
N  
I  
S  
H

F  
R  
E  
N  
C  
H



SB-2000

**“Important safeguards/general cautions”** are information that can protect the user from safety hazards and also prevent losses. Please be sure to read the manual correctly for proper usage.

- Please read the manual carefully before installation and utilization.
- This product is made for the US and Canada.
- The function and design of the product may be changed for quality improvements.

**“Precauciones de seguridad importantes”** son informaciones que pueden proteger al usuario de los riesgos de seguridad y evitar pérdidas. Por favor, asegúrese de leer las instrucciones correctamente para su uso adecuado.

- Leer el manual atentamente antes de su instalación y uso
- Este producto está hecho para uso en Estados Unidos y Canadá.
- La función y el diseño del producto pueden ser modificadas para mejorar la calidad

**“Notes importantes / Mises en garde générales ”** sont des informations qui peuvent protéger l'utilisateur de tout danger ou de quelconques pertes. Veuillez lire ce manuel attentivement pour une utilisation optimale.

- Veuillez attentivement lire ce manuel avant installation et utilisation du produit.
- Ce produit a été conçu pour les Etats-Unis et la Canada.
- La fonction et l'apparence de ce produit peuvent être altérées pour l'amélioration de sa qualité.

## Important Functions



**SmartBidet**  
ELECTRONIC TOILET SEAT • SIÈGE DE TOILETTE ELECTRONIQUE • ASIENTO DE INODORO ELECTRÓNICO

**EASY TO USE • ECO FRIENDLY • NO MORE TOILET PAPER**  
FACILE À UTILISER • ÉCOLOGIQUE • PLUS DE PAPIER HYGIÉNIQUE  
FÁCILE DE USAR • ECOLÓGICO • BASTA DE PAPEL HIGIÉNICO

**HEATED AIR DRYER • HEATED WATER • HEATED SEAT**  
SÉCHOIR À AIR CHAUD • EAU CHAUFFÉE • SIÈGE CHAUFFANT  
SECADOR DE AIRE CALIENTE • AGUA CALIENTE • ASIENTO CALEFACCIONADO

**SB-2000**  
Distributed by Hitrons Solutions Inc

- Adjustable Nozzle  
Bec réglable  
Boquilla ajustable
- Heated Water  
Eau chaude  
Agua caliente
- Heated Seat  
Siège chauffant  
Asiento calefaccionado
- Warm Air Dryer  
Séchoir à air chaud  
Secador de aire caliente
- Easy to Use  
Facile à utiliser  
Fácil de Usar
- Easy Installation  
Installation facile  
Fácil instalación
- Soft Closing  
Fermeture en douceur  
Cierre suave

## Contents

<b>Preparation</b>	<b>IMPORTANT SAFEGUARDS</b> -----	4
	General cautions -----	6
	Product structure and designations -----	8
	(Product components)	
	Control designations -----	9
<b>Operation &amp; Cleaning</b>	Installation and cautions -----	10
	Initial operation -----	12
	Separation of the unit from toilet bowl -----	13
	Basic operation -----	14
	Detailed operation -----	15
	Maintenance -----	18
	Draining water -----	19
	Winter usage -----	19
<b>Others</b>	Trouble shooting -----	20
	Specifications -----	21
	Warranty -----	60~61

# 1 IMPORTANT SAFEGUARDS

## • READ ALL INSTRUCTIONS BEFORE INSTALLATION AND USE

### DANGER – To reduce the risk of electrocution:

1. Do not place or store product where it can fall or be pulled into a tub or sink.
2. Do not place in or drop into water or other liquid.
3. Do not reach for a product that has fallen into water.  
If this happens unplug the unit and then remove item from water immediately.

### WARNING – To reduce the risk of burns, electrocution, fire, or injury to persons.

1. Close supervision is necessary when this product is used by, on, or near children or invalids.  
Do not use attachments not recommended by the manufacturer.
2. Use this product only for its intended use as described in this manual.
3. Never operate this product if it has a damaged cord or plug or if it is not working properly, if it has been dropped or damaged, or dropped into water. Return the product to a service center for examination and repair.
4. Keep the cord away from heated surfaces.
5. Never block the air openings of the product or place it on a soft surface, such as a bed or couch, where the air openings may be blocked. Keep the air openings free of lint, hair, and the like.
6. Do not use the unit if you are sleeping or tired to the point of being drowsy.
7. Never drop or insert any object into any opening or hose.
8. Do not use outdoors or operate where aerosol (spray) products are being used or when oxidated products are being administered.
9. Unplug this product before filling. Fill (reservoir) with water. Do not overfill (or specify filling instructions)

## SAVE THESE INSTRUCTIONS

# 2 Cautions Before Installation

## WIRING REQUIREMENT

THIS PRODUCT MUST BE PLUGGED into a regular voltage Grounded GFCI outlet (North America 120V AC, 60Hz). The rated power consumption is 660W / 600–700W. In locations where only a standard two-prong outlet is available, it is the responsibility of the user to install a grounded three-prong outlet. Using higher voltage is dangerous and may result in a fire or other accident. This product is not responsible for damage resulting from the use of it on other than specified voltage, or operating it without proper grounding.

### WARNING

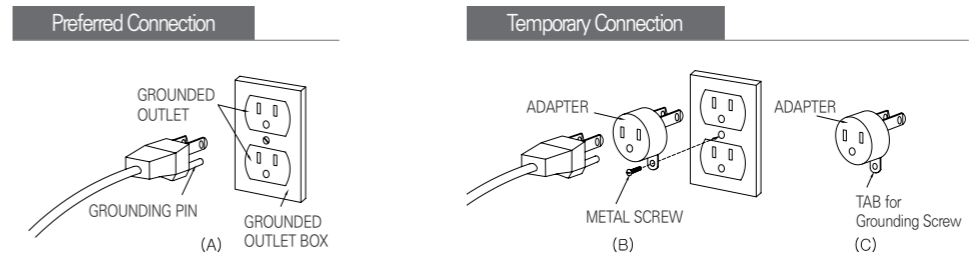
This Product must be on a separated circuit. No other appliance should share the circuit with this product. Sharing a circuit could cause the branch circuit fuse to blow or the circuit breaker to trip. Continuous usage under these conditions may result in fire or property damage.

## GROUND INSTRUCTIONS

This appliance has to be grounded.

- 1 This product has to be grounded. In the event of an electrical short circuit, grounding reduces the risk of electric shock by providing an escape wire for the electric current. This product is equipped with a cord having a grounding wire with a grounding plug. The plug must be plugged into an outlet that is properly installed and grounded.  
Danger – Improper use of the grounding plug can result in a risk of electric shock.  
If repair or replacement of the cord or plug is necessary, do not connect the grounding wire to either flat blade terminal. Consult with a licensed electrician if you have concerns about whether the product is properly grounded.

- 2 This product is for use on a normal 120 V circuit, and has a grounding plug that looks like the plug illustrated in sketch A in Figure 1. A temporary adapter, which looks like the adapter illustrated in sketches B and C, may be used to connect this plug to a 2-pole receptacle as shown in sketch B if a properly grounded outlet is not available. The temporary adapter should be plugged into a properly grounded outlet (sketch A) and should be installed by a licensed electrician. The green colored rigid ear, lug, and the like extending from the adapter must be connected to a permanent ground such as a properly grounded outlet box cover. Whenever the adapter is used, it must be held in place by the screw.



– Figure 1 –

### DANGER

IMPROPER GROUNDING CAN RESULT IN A RISK OF ELECTRIC SHOCK. Electric wiring has to be done in accordance with all local codes, or in the absence of local codes, with National Electrical Codes.

The use of an extension cord is not recommended or advised. If it is necessary to use an extension cord, use only a three-prong extension cord (one to one), and a three slot built-in GFCI receptacle that will accept the plug on this product. The marked rating of the extension cord should be equal to or greater than the electrical rating of the unit (10amp). Consult a licensed electrician if you are not sure whether the unit is properly grounded.

## REMARK

- 1 Instruction and caution statements for cleaning, user maintenance, operations recommended by the manufacturer, such as lubrication or nonlubrication, and a warning to the user that any other servicing should be performed by an authorized service representative or that the product has no user serviceable parts.

## 3 General Caution

### Warning



Disassembling,  
remodeling prohibited

Do not separate, disassemble, repair or remodel the unit, or allow foreign substances inside the unit.

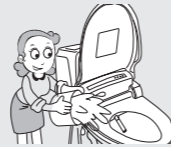
- This can cause a fire or electric shock.
- Only qualified service personnel should repair this product.



Do not spray water

Do not splash water on the main unit or power cord, and do not utilize it in areas of high levels of humidity.

- This can cause a fire or electric shock.



Grounding

This product must be grounded before usage and plugged into an AC 120V/60Hz power outlet.

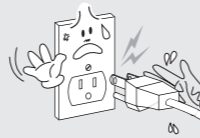
- If grounding is not done, it can cause fire or electric shock.



Wet hands prohibited

Do not touch the power cord with wet hands.

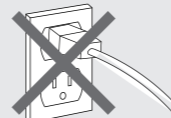
- Do not plug or unplug the power cord with wet hands as it can cause electric shock or bodily injury.



Prohibited

Do not supply electrical power to the product until it is installed on the toilet and the water supply hose is properly connected.

- This can cause a fire or damage the product.



Prohibited

Do not connect several power cords into one outlet.

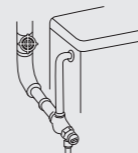
- This unit uses 120V power outlet.
- Can cause overheating or fire hazards.
- Plug in the power cord properly into the power outlet.



Observe at all times

Please use public water supply.  
Please do not connect the unit to industrial water or greywater.

- This can cause skin infections or urinary tract infections and also damage the unit.



Use of fire prohibited

Keep the cord away from cigarettes or flammable substances.

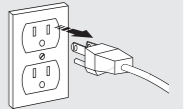
- This can cause electric shock or bodily injury.



Unplugging the  
power cord

For safety purposes, unplug the power cord either when cleaning the product or detaching the unit from the toilet bowl.

- Failure to do so can cause an electric shock.



Observe at all times

Do not use a damaged power cord or a loosely fitted electric outlet.

- This can cause an electric shock.



Prohibited

- Children, elderly, patients and those who are physically limited should use the low temperature setting for the seat, water and dryer.
- After using the unit at high temperatures, the temperature should be readjusted to 'low' for the elderly, children and for those with sensitive skin.
- Those who cannot adjust the temperature or those who have sensitive skin should take special precautions.



Prohibited

When cleaning, do not use cleaning detergents (**oxidized products, sink products, toilet cleaning products, and any types of stain removers**) on the external surface of the electronic toilet seat, and also do not spray air fresheners or aromatic products onto seat in attempts to eliminate odors.

- Using cleaning detergents or air fresheners can change the color of the external surface and can also cause problems with the seats functioning

### Cautions



Prohibited

Do not stand on top of the seat cover, seat or main body unit. This can damage or break the unit.



Prohibited

- Do not use a broken product.
- As the unit is a bathroom appliance, do not use it for any other purposes.



Prohibited

Do not slam or close the seat or seat cover forcefully.



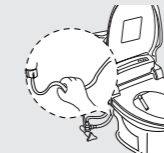
Prohibited

Prevent children from putting foreign substances or inserting their hands into the dryer outlet or onto the nozzle.



Prohibited

Do not pull the connecting hose forcefully or bend it.



Prohibited

Never put the product in water.



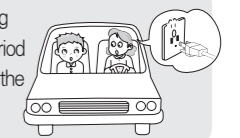
Observe at all times

Do not let urine contact the dryer outlet or nozzle area.



Observe at all times

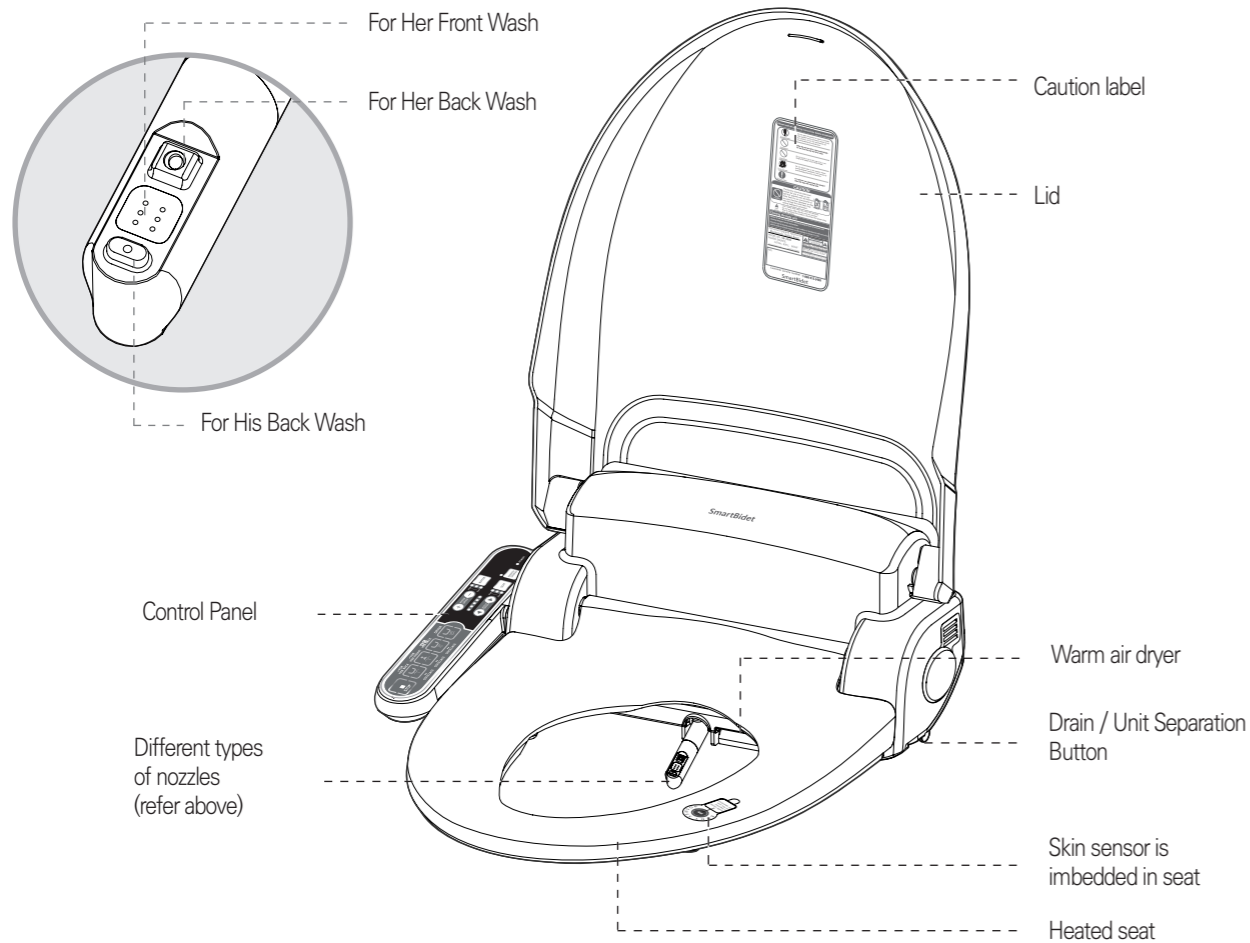
When cleaning or not using the product over a long period of time, be sure to unplug the unit. (refer to page 19)



When the following people sit down on the seat, a guardian should pay extra attention so that they will not fall when sitting on the toilet seat or standing up from it.  
- Children, elderly, or those who cannot independently sit or stand on the seat.

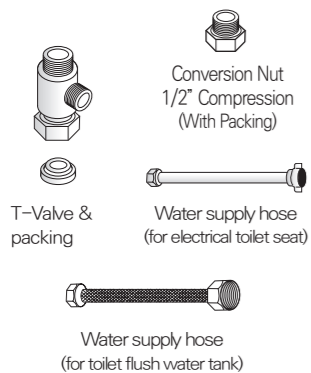
# 4 Product structure and designations

## Main unit

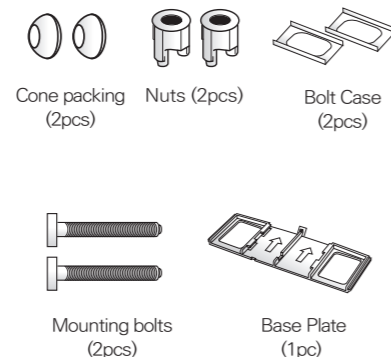


## Product components

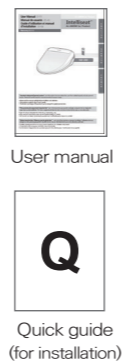
### For plumbing



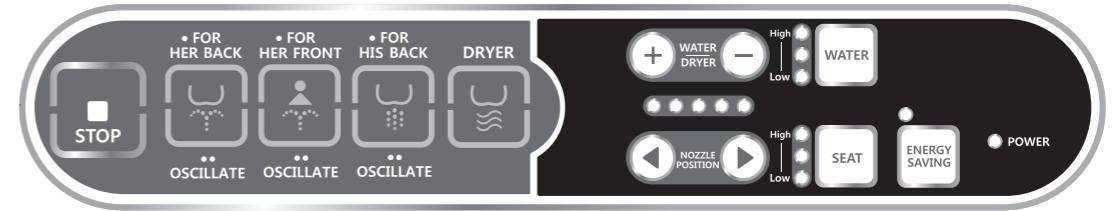
### For product fixation



### Installation instructions



## Control Panel



	STOP	Stop
	FOR HER BACK	For Her Back Wash
	FOR HER FRONT	For Her Front Wash
	FOR HIS BACK	For His Back Wash
	DRYER	When selected, a light will show on the control panel which can be controlled by the + or - buttons.
	OSCILLATE	Pressing any of these buttons a second time will automatically oscillate the nozzle back and forth for a wider wash. Pressing it once more will stop the oscillation.
	ENERGY SAVER	Pressing Energy Saving on or off activates or deactivates the Energy Saving mode.
	WATER DRYER	The water pressure and dryer temperature can be adjusted up to 5 levels.
	NOZZLE POSITION	The oscillating mode and nozzle position can be adjusted up to 5 levels.
	WATER	The water temperature can be adjusted up to 4 levels.
	SEAT	The seat's temperature can be adjusted up to 4 levels.

- Always sit on the middle of the unit and do not sit on the side of the seat. (The basic functions will not work if the skin sensor is not active.)
- When operating For Her Front Wash / For Her Back Wash / For His Back Wash, if the water temperature is low and cold water comes out after using it for a period of time, pause and wait for 3 minutes for warm water to be provided.
- Drying will occur quicker if toilet paper is used to wipe away excess water prior to using the dryer function.



Sitting on the heated seat or using the dryer for an extended period of time can potentially cause low degree burning. Special precautions should be taken for children, those who cannot adjust the temperature, and those who have sensitive skin.

## 5 Installation



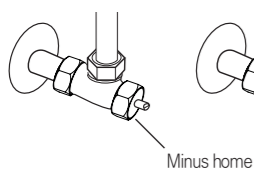
### Caution

- This product requires 120V usage.
- Please do not plug in the electrical cord prior to installation.
- Please consult with a licensed electrician if electrical work is needed, and in case a grounded outlet is not available, grounding should be done in order to prevent short circuits or electric shock.
- Please contact our service center(1-800-515-3430) when you want to reinstall the bidet product(move or replacement).

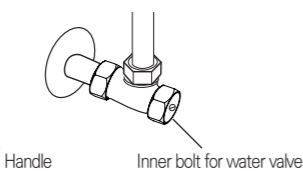
### Check the water valve

Check the water valve in the bathroom. You may need to consider purchasing additional components. For the following case, the T-valve alone is sufficient for connection.

#### Water supply valve



#### Inner bolt water valve

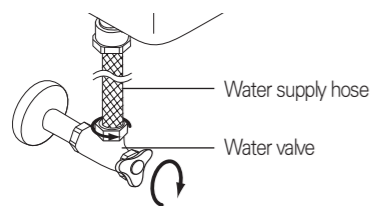


Professional engineering is needed for plumbing work on specialized water pipes and flush valve pipes.

- Please consult with a qualified specialist.
- Please put the unused water hose in a secure area.

### Installation steps

- 1 Shut water supply by turning it to the right and disassemble the water hose.

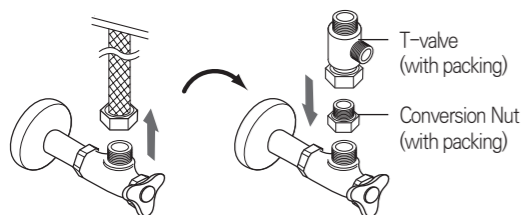


- 2 Remove existing seat and lid.

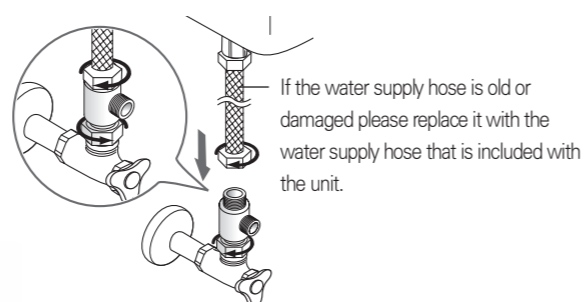
- Release the bolts on both sides of the existing toilet seat to remove the seat and lid.
- Store the removed seat, nut and water hose in a safe area in case you move or it needs to be reinstalled.



- 3 Connect the water supply hose to the T-valve. Insert the packing in the T-valve.

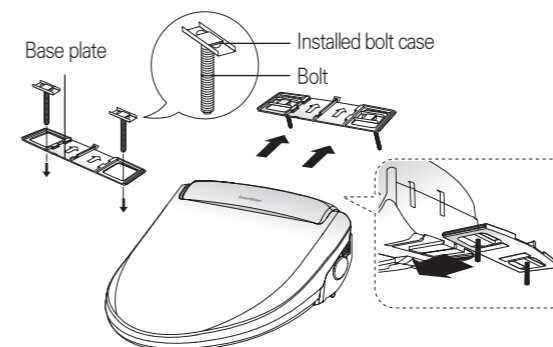


- 4 Connect the water supply hose to the assembled T-valve.

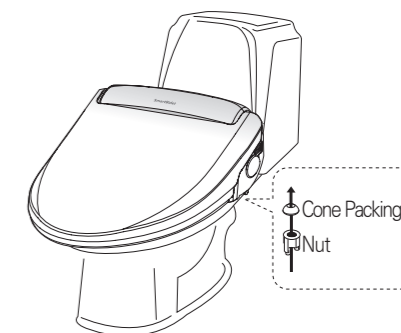


- ※ If the water supply valve opening is 1/2 inch please use a conversion nut to connect it with the T-valve.
- ※ Included 1/2" conversion nut is OD Compression, not FIP.
- ※ T-valve packing must be used to prevent water from leaking.

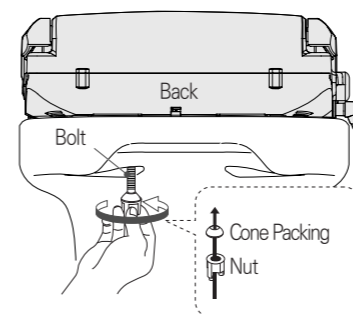
- 5 Put the bolt into the bolt case and align it with the top of the base plate. Insert bolt with bolt case onto the base plate. After this is done hold the bolts, slide it into the bottom of the unit until it snaps in place.



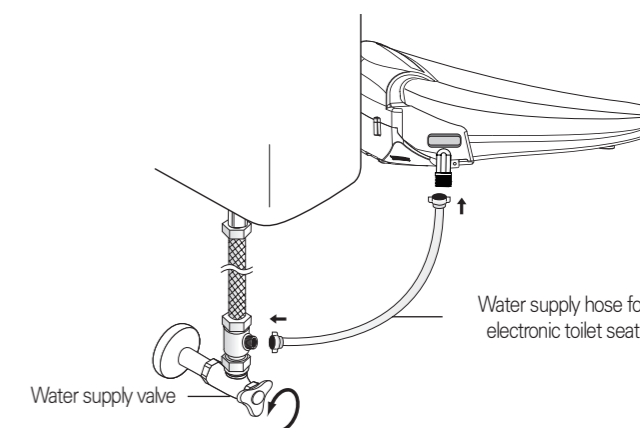
- 6 Install the main unit and insert the mounting bolts to the toilet mounting holes.



- 7 Once the base plate is attached to the unit, align the unit and toilet fixture facing front, and then insert the mounting bolts to the toilet mounting holes.



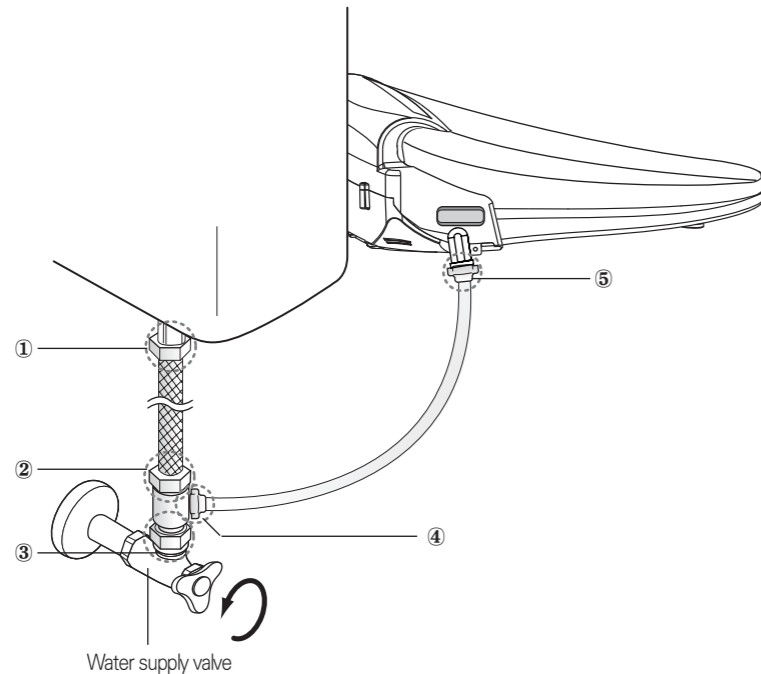
- 8 Connect the flexible tube from side of T-valve to the unit. Turn the water valve to the left to allow water to flow.





- ※ Customers should use the new hose set provided with the product. Do not use used set again.

## 6 Initial Operation

- 1 Turn the water valve to the left and see if there is any water leaking from the hose. (①~⑤)

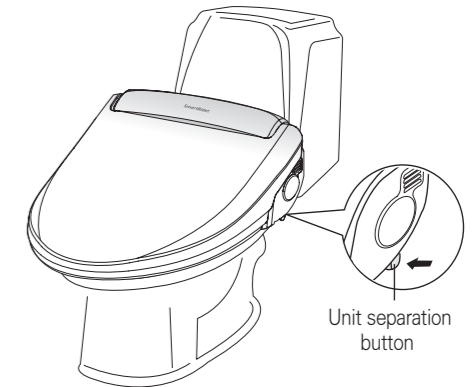


- 2 Connect the power cord to the 120V electric outlet.
  - If the power light does not appear after plugging in the electric cord, press any button on the remote control.
  - If you hear a 'beep' sound, then the lights will appear on the power lamp.
- 3 If you press  or  button, the water will begin to enter the heated water tank.
  - If the tank is full, then a low beeping sound will occur which indicates that preparation is complete.
- 4 Function Check
  - In order to check whether the functions work, you will first need to touch the seat or sit on it to activate the skin sensor.
  - Please be aware that water will come out. This product can only operate when the user sits on the electronic toilet seat.


## 7 Separation of unit from the toilet bowl

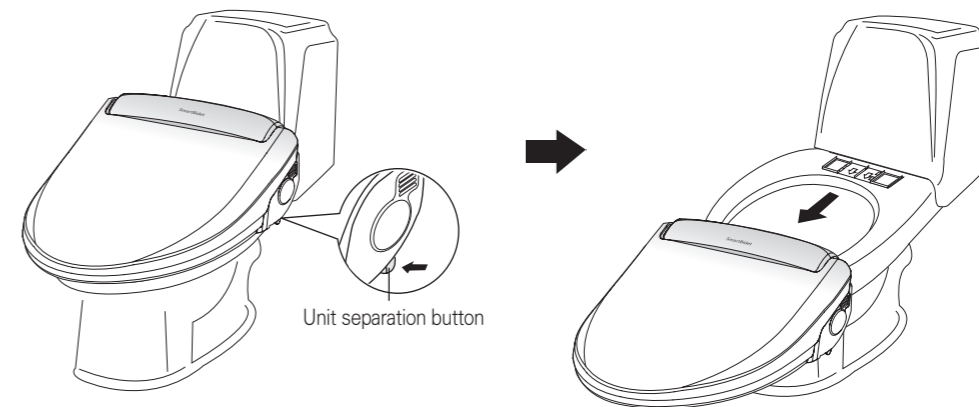
※ Please follow the instructions below when moving or separating the unit from the toilet for cleaning purposes

- 1 Disconnect the power plug
- 2 Shut the water supply valve
- 3 Push and hold the button on the right side of the unit to completely drain the water from the water tank.
- 4 Loosen the nut on the hose that is connected to the unit, and then separate the electronic toilet seat from the toilet in the following order as illustrated.



- While pushing the button (area shown as an arrow) push the electronic toilet seat slightly toward the front and then the body unit will begin to slide out. Next, lightly pull the unit toward the front and it will detach from the toilet.

 Do not turn the seat upside-down. This can cause damage to the unit as well as fire hazard.



- 5 Disconnect the T-valve from the water supply. (Refer to page 10~11)
- 6 Connect the water hose to the toilet which was disassembled while installing the electronic toilet seat, and turn the water valve to the left to open it. See if there is any leaking from the water hose connection.
- 7 Re-install the toilet seat and lid that was separated when installing the electronic toilet seat.
  - As explained above, steps 1~4 are instructions for separation of the unit for basic cleaning purposes, and steps 5~7 are instructions for separation when moving, etc.

## 8 Operation (Basic)

### Cautions



Cautions

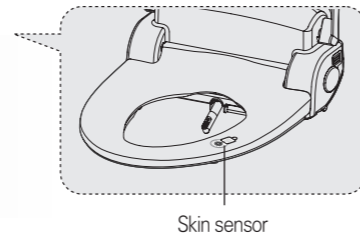
Please press the 'off' or 'low' button for seat temperature when the following persons use it. Special precautions should be taken for children, those who cannot adjust the temperature, and those who have sensitive skin.

### Sit on the seat.

- Sit on the toilet seat so that the skin sensor can fully be activated.

#### Warning

- Do not press the control buttons harder than needed. This can cause damage.
- The skin sensor of the seat is only activated with bodily contact, please be sure to pull down your clothes amply and do not cover the seat with any clothing items, as it can prevent the seat from activating.



### Please press or ,

- Wash is available For Her Back, For Her Front and For His Back.
- The selected function can be used for up to 1 minute.

#### Warning

- The wash functions will automatically stop after one minute. If you want to use it continuously press the button again.

### Press

- The display light for the  $\oplus$  (high),  $\ominus$  (low) on the remote will turn on while the dryer is activated.
- The selected function can be used up to 3 minutes.
- Before using the dryer, wiping the wet area with toilet paper will let drying occur more quickly.

### Press



- For Her Front, For Her Back, For His Back wash or drying will all stop.

## 9 Operation (Instructions to operate each function)

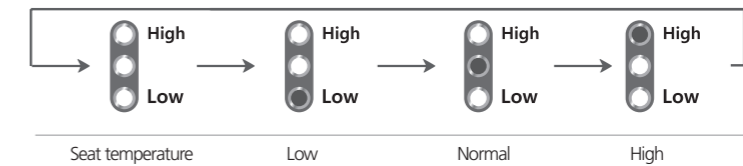
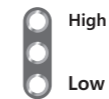
### Water pressure

- Press  $\oplus$  (high),  $\ominus$  (low) for the Water/Dryer (Water pressure can be adjusted 1~5 levels.)
- It is recommended that the water filter (strainer) is cleaned periodically, as water pressure can be weakened if foreign substances cling onto the water filter (strainer). (Refer to page 18)



### Water temperature adjustment

- When pressing  button the display light () will change to allow the adjustment of the water temperature to the desired level.
- Average maintenance time for warm water: This product can maintain the warm water level for up to 50 seconds during a 1 minute wash session.

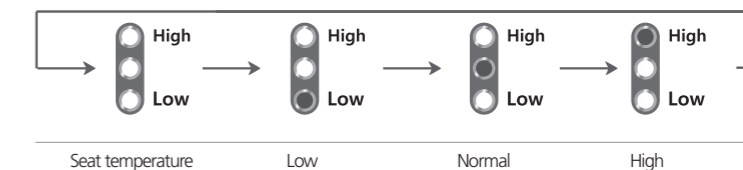
Water temperature



### Seat temperature

- When pressing  button display light () will change. Temperature can be adjusted to the desired level.

Seat temperature

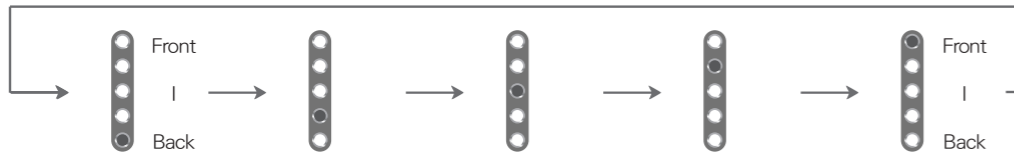




## 9 Operation (Instructions to operate each function)

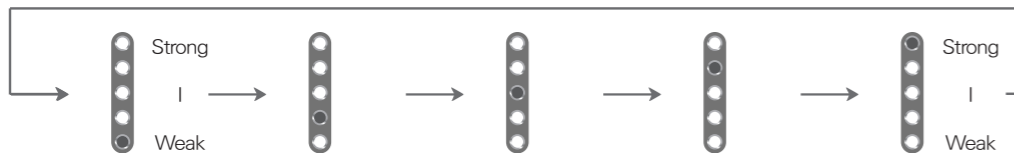
### Nozzle position adjustment

- When using the wash functions use ▲(front), ▼(back) buttons to adjust the nozzle to fit to your body.
- LED level



### Warm air dryer adjustment



- The ( ●●●●● ) display lamp for the Water pressure / Dryer will change when using the dryer function.
- Adjust the dryer temperature by pressing ⊕ (Strong), ⊖ (Weak).
- The drying functions can be adjusted up to 5 levels.
- LED level



### Oscillate

- After pressing one of the wash functions: For Her Front / For Her Back / For His Back, pressing it a second time will activate the oscillating nozzle, covering a wider area of washing.
- Press the button once more to stop the oscillation.

### Energy saver

- When pressing  the energy saver light on the electronic toilet seat will turn on.
- Energy saver mode automatically maintains a water and seat temperature of 89.6°F.
- If you want to turn off the energy saver function, press the  button again and the display light will turn off.
- The energy saver function will automatically cancel when using the unit during a power outage, and also after standing up from the seat.



During a power outage, the water or seat heating temperature could appear to be lower than the actual temperature setting.

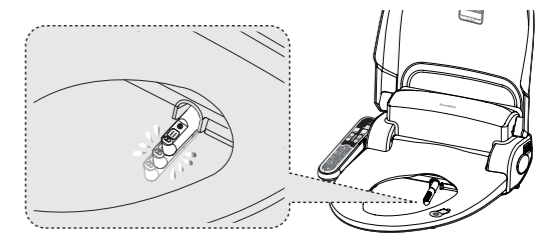
### Other energy saving tips

In order to save energy, please abide by the following instructions:

- Keep seat cover closed when not in use to prevent heat from being lost.
- Keep temperature set to low.
- Unplug the power cord if you do not plan to use it for a long period of time.

### Automatic self cleaning nozzle


- Before and after using For Her Front Wash / For Her Back Wash / For His Back Wash, the nozzle will automatically clean itself.



## 10 Maintenance

### Cleaning the body unit

- Beware to not use any bathroom cleaning detergents such as benzene acid chemical detergent on the seat exterior.
- Using any type of chemical products or rough scrubbers on the electronic toilet seat surface, which is made out of plastic material can either damage or change its color.
- Do not spray water directly or use a shower hose on the main body unit.
- Can cause fire or damage to the unit.
- When cleaning, the power cord must be unplugged from the power outlet, and make sure water does not contact the cord and/or outlet.
- After cleaning, use a soft cloth to dry the unit.

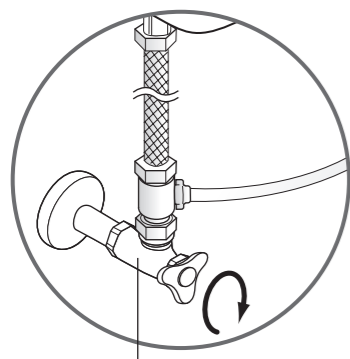
 Do not use any cleaning products such as Oxy Clean.

### Cleaning the nozzle

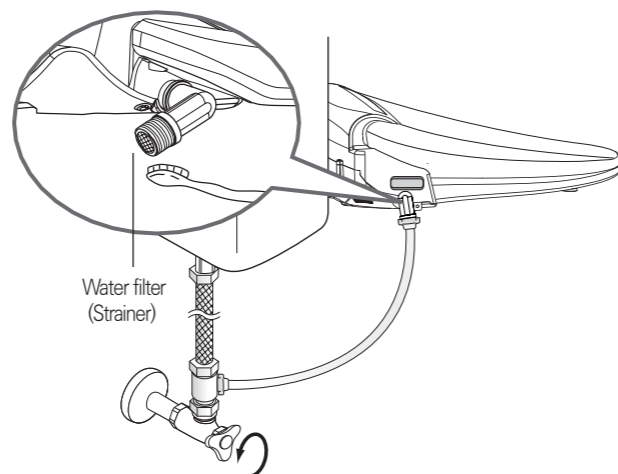
- Please perform the actions below without sitting on the toilet seat
- On control panel press and hold the 'For Her Back' button for three (3) seconds and the water nozzle will extend.
- To clean use a soft bristled brush(tooth brush) or a soft cloth. Upon completion press and hold the 'For Her Back' button and the nozzle will retract back to its original position and will perform its self-cleaning function.
- Upon completion of these two steps the toilet seat can be used.

### Cleaning the water filter(strainer).

- 1) Close the water shut off valve.
- 2) Flush the toilet to empty the water reservoir.
- 3) Unscrew the water hose nut.
- 4) Clean the strainer with a small brush or water
- 5) Re-screw the water hose nut.
- 6) Open the water shut off valve.



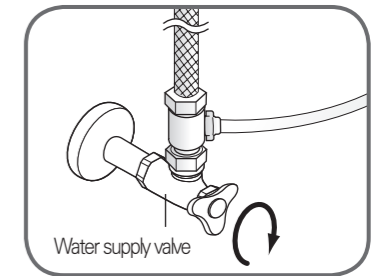
Water supply valve



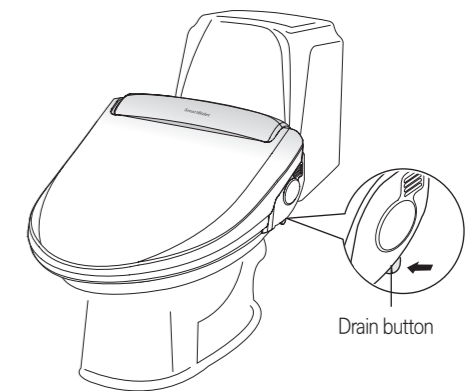
Water filter  
(Strainer)

## 11 Draining water from tank

- 1 Disconnect the power plug.
  - 2 Shut the valve by turning it to the right.
  - 3 When pressing the drain button located on the side of the body unit, the water in the tank will completely drain into the toilet bowl.
- This electronic toilet seat has considered the user's convenience in that the water can be drained easily without removing the unit from the toilet seat.




Water supply valve



Drain button

## 12 Maintenance for winter season

- 1 Check if the power cord is plugged in securely.
- 2 Adjust the  button to "low" to prevent water from freezing.
- 3 If the product is not used for a long period of time, please disconnect the power cord and drain the water from the internal unit.
- 4 Please do not keep this product outdoors during the winter as the cold temperature may damage the product.



## 13 Trouble shooting

※ Please be sure to check the following aspects before asking for help.

Troubleshooting	Factors to check
The water does not spray	<ul style="list-style-type: none"> <li>• Check if the water tank is filled.</li> <li>• See if the water valve is closed.</li> <li>• Check if the water filter (strainer) is clogged.</li> </ul>
The unit is not operating	<ul style="list-style-type: none"> <li>• Check if the power cord is connected.</li> <li>• See if the power is turned off from the main unit.</li> <li>• See if you are correctly sitting on the seat so that the skin sensor switch will function properly. (Make sure that the Skin sensor on the seat touches your skin when you sit on the seat.)</li> </ul>
Water is leaking	<ul style="list-style-type: none"> <li>• After checking if the plumbing is correctly connected, if water is leaking from the main unit disconnect and contact service personnel.</li> </ul>
Water pressure is weak	<ul style="list-style-type: none"> <li>• Check if the water pressure is set at "low".</li> <li>• Check if the water filter (strainer) is clogged.</li> </ul>
Seat, water and dryer is not warm	<ul style="list-style-type: none"> <li>• See if the water temperature is set to "low".</li> <li>• Check if the dryer temperature is set to "low".</li> </ul>
When the nozzle doesn't come out	<ul style="list-style-type: none"> <li>• See if the skin sensor on the seat is touching the skin.</li> </ul>
When water is cold or warm	<ul style="list-style-type: none"> <li>• Adjust the temperature to (mid, high).</li> <li>• If someone has already used the wash function, wait about 3 minutes to use it.</li> <li>• Sit on the seat for approximately 3 minutes and then use it.</li> </ul>
Body unit shakes	<ul style="list-style-type: none"> <li>• Tighten the bolt (do not over-tighten)</li> </ul>
Dryer does not work	<ul style="list-style-type: none"> <li>• See if the skin sensor on the seat is touching the skin.</li> </ul>

## 14 Specifications

Specification	SB-2000	
Power rating	120V / 60Hz / 660W	
Water inlet type	Type	Direct Inlet Flow Type
	Water inlet pressure	0.04 ~ 0.74MPa(0.4 ~ 7.5 kgf/cm <sup>2</sup> )
Wash device	For Her Back Wash	Max. 700cc ± 150cc / min.
	For Her Front Wash	Max. 700cc ± 150cc / min.
	For His Back Wash	Max. 700cc ± 150cc / min.
	Water pressure adjustments	5 levels
	Warm water temperature control	Room Temp. Low, Normal , High
	Heater	600W
Heated seat	Safety device	Thermal fuse, Thermal switch, Float switch
	Temperature control	RRoom Temp. Low, Normal , High
	Heater	55W
Warm Air Dryer Device	Safety device	Thermal fuse, Bimetal
	Warm air control	Room temp ~ 131 °F , 5 levels
	Heater	250W
Dimensions	Safety device	Thermal fuse, Bimetal
	Inlet water temperature	37.4 °F ~ 95°F (3°C ~ 35°C)
Ambient temperature	37.4 °F ~ 104°F (3°C ~ 40°C)	
Weight (lbs)	Elongated	Round
	W: 18.7inch (475mm) L : 20.6inch (525mm) H : 7.13inch (181mm)	W: 18.7inch (475mm) L : 19.4inch (493mm) H : 7.13inch (181mm)
	N.W. : 10.7 lbs (G.W. : 15.4 lbs)	N.W. : 10.6 lbs (G.W. : 15.4 lbs)

※ The design and function of this product could be changed without notice for the improvement of its quality.

## Funciones Importantes

**SmartBidet**  
ELECTRONIC TOILET SEAT • SIÈGE DE TOILETTE ELECTRONIQUE • ASIENTO DE INODORO ELECTRÓNICO

**EASY TO USE • ECO FRIENDLY • NO MORE TOILET PAPER**  
FACILE Á UTILISER • ÉCOLOGIQUE • PLUS DE PAPIER HYGIÉNIQUE  
FÁCILE DE USAR • ECOLÓGICO • BASTA DE PAPEL HIGIÉNICO

**HEATED AIR DRYER • HEATED WATER • HEATED SEAT**  
SECHOIR Á AIR CHAUD • EAU CHAUFFÉE • SIÈGE CHAUFFANT  
SECADOR DE AIRE CALIENTE • AGUA CALIENTE • ASIENTO CALEFACCIONADO

**BUILT-IN CONTROL PANEL**

**SB-2000**  
Distributed by Hitrons Solutions Inc

- Adjustable Nozzle**  
Bec réglable  
Boquilla ajustable
- Heated Water**  
Eau chaude  
Agua caliente
- Heated Seat**  
Siège chauffant  
Asiento calefaccionado
- Warm Air Dryer**  
Séchoir à air chaud  
Secador de aire caliente
- Easy to Use**  
Facile à utiliser  
Fácil de Usar
- Easy Installation**  
Installation facile  
Fácil instalación
- Soft Closing**  
Fermeture en douceur  
Cierre suave

## Índice

### Preparación

<b>MEDIDAS IMPORTANTES DE SEGURIDAD</b> -----	24
Medidas de seguridad -----	26
Estructura e identificación del producto -----	28
Panel de control -----	29

### Operación, Instalación y Mantenimiento

Instalación y precauciones -----	30
Operaciones al principio -----	32
Separación de la unidad del inodoro -----	33
Operaciones básicas -----	34
Operaciones detalladas -----	35
Mantenimiento -----	38
Drenaje de agua del tanque -----	39
Mantenimiento para la época invernal -----	39

### Información adicional

Solución de problemas -----	40
Especificaciones del producto -----	41
Garantía -----	60-61

## ● LEA TODAS LAS INSTRUCCIONES ANTES DE SU USO

**PELIGRO** - Para reducir el riesgo de electrocución:

1. No coloque ni guarde el producto donde pueda caerse o ser empujado a una bañera o un fregadero.
2. No coloque ni lo deje caer en agua u otro líquido.
3. No tocar un producto que ha caído al agua. Desenchufe la unidad y saque el producto del agua inmediatamente.

**ADVERTENCIA** - Para reducir el riesgo de quemaduras, electrocución, incendio o lesiones a las personas.

1. Se requiere supervisión cuando este producto es usado por, en o cerca de niños o personas inválidas.
2. Utilice este producto solamente para el uso que se describe en este manual. No utilice accesorios no recomendados por el fabricante.
3. Nunca use este producto si el cable o enchufe está dañado, si no funciona correctamente, si se ha caído o dañado, o caído al agua. Devuelva el producto a un centro de servicio para su revisión y reparación.
4. Mantenga el cable alejado de superficies calientes.
5. Nunca bloquee las aberturas de aire del producto ni lo coloque sobre una superficie blanda, como una cama o un sofá, donde las aberturas de aire puedan quedar bloqueadas. Mantenga las aberturas libres de pelusas, cabellos, etc.
6. Nunca utilice mientras duerme o está adormecido.
7. Nunca deje caer o introduzca objetos en las aberturas o manguera.
8. No use en exteriores ni en lugares donde los aerosoles (espray) se están utilizando o se está administrando oxígeno.
9. Desenchufe este producto antes del llenado. Llene (depósito) con sólo salvo indicación en contrario por el fabricante. No llene en exceso (o especificar las instrucciones de llenado).

## GUARDE ESTAS INSTRUCCIONES

## Precauciones antes de su instalación

## Necesidad de cableado

ESTE PRODUCTO DEBE ESTAR CONECTADO a un voltaje de salida regular a tierra GFCI (América del Norte 120V AC).

El consumo de energía nominal es 660W/ 600-700W.

En lugares donde sólo una toma de corriente estándar de dos puntas es disponible, es la responsabilidad del usuario para instalar una toma de corriente a tierra de tres puntas. El uso de un voltaje más alto es peligroso y podría resultar en un incendio u otro accidente. Este producto no se hace responsable por daños resultantes de la utilización de la misma en distinto voltaje o de funcionamiento sin conexión a tierra adecuada.

**Advertencia**

Este producto debe estar en un circuito separado.

Ningún otro aparato debe compartir el circuito con este producto.

Compartir un circuito podría causar que el fusible del circuito derivado se pare o rompa el viaje del circuito.

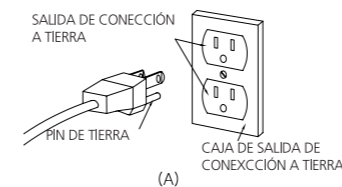
El uso continuo bajo estas condiciones puede causar fuego o daños a los bienes.

## INSTRUCCIONES DE TIERRA

Este aparato tiene que estar conectado a tierra.

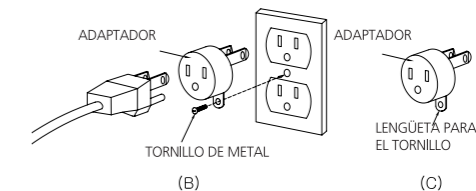
- 1 Este producto debe conectarse a tierra. En el caso de un cortocircuito eléctrico, la conexión a tierra reduce el riesgo de descarga eléctrica proporcionando un cable de escape para la corriente eléctrica. Este producto está equipado con un cable que tiene un alambre a tierra con un enchufe a tierra. El enchufe debe conectarse a una toma de corriente que esté correctamente instalado y conectado a tierra. Peligro – El uso inapropiado del enchufe a tierra puede resultar en un riesgo de descarga eléctrica. Si la reparación o sustitución del cable o del enchufe es necesaria, no conecte el cable a tierra a ninguno de los terminales de hoja plana. Consulte a un electricista o técnico calificado si las instrucciones de conexión a tierra no se entienden completamente o si tiene dudas sobre si el producto está correctamente conectado a tierra.
- 2 Este producto es para uso en un circuito normal de 120V y tiene un enchufe a tierra que se parece al enchufe ilustrado en el gráfico A en la Figura 1. Un adaptador temporal, que se parece al adaptador ilustrado en los gráficos B y C, puede ser utilizado para conectar este enchufe a una tomacorriente de 2 polos como se muestra en el gráfico B si una toma de tierra no está disponible. El adaptador temporal debe estar conectado a una toma de tierra y debe ser instalado por un electricista con licencia. El color verde rígido oído, orejeta y el que sale del adaptador se debe conectar a tierra permanente como la caja de salida a tierra. Siempre cuando el adaptador es usado, debe mantenerse en su lugar con el tornillo.

## Conexión preferida



(A)

## Conexión temporal



(B)

(C)

- Figura 1 -

**Peligro**

CONEXIÓN A TIERRA INCORRECTA PUEDE RESULTAR EN RIESGO DE DESCARGA ELÉCTRICA.

El cableado eléctrico se debe hacer de acuerdo con todos los códigos locales, o en ausencia de códigos locales, con los Códigos Eléctricos Nacionales.

El uso de un cable de extensión no se recomienda o aconseja. Si necesita utilizar un cable de extensión, use solamente una extensión de tres puntas (uno a uno), y una ranura de tres puntas integradas en el receptáculo GFCI que aceptará el enchufe de este producto. El voltaje del cable de extensión debe ser igual o mayor que la energía eléctrica de la unidad (10 amp.) Consulte a un electricista con licencia si usted no está seguro de si la unidad está correctamente conectada a tierra.

## 3 Medidas de seguridad

### Advertencia



Prohibido desmontar, modificar

No debe desmontar, modificar, reparar o remodelar la unidad, o permitir que ninguna sustancia se meta en el interior de la unidad.

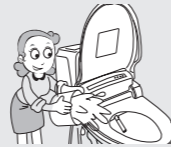
- Puede causar incendio, electrocución o lesión.
- Sólo aquellos cualificados del servicio podrán reparar este producto.



No debe salpicar agua

No debe salpicar agua sobre el cuerpo de la unidad o en el enchufe de alimentación, y no utilizar en zonas de altos niveles de humedad.

- Puede causar incendio o electrocución.



Conexión a tierra

Este producto debe conectarse a tierra antes de su uso y estar enchufado a una toma de alimentación de CA 120V/60Hz para prevenir cortocircuitos o electrocución.

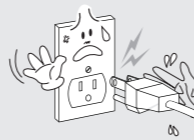
- Si no está conectado a tierra, esto puede causar electrocución o mal funcionamiento.



Prohibido tocar con manos húmedas

Nunca toque el cable de alimentación con las manos mojadas.

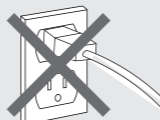
- No conecte o desconecte el cable de alimentación con las manos mojadas, ya que puede provocar descargas eléctricas o lesiones corporales.



Prohibido

No debe suministrar energía eléctrica a la unidad hasta que esté instalado en el inodoro y la manguera de suministro de agua esté conectada correctamente.

- Puede causar un incendio o daño al producto.



Prohibido

No conecte cables de varias fuentes de alimentación en el mismo enchufe.

- Esta unidad utiliza la toma de corriente de 120V.
- Existe el riesgo de sobrecalentamiento o incendio.
- Asegúrese de conectar el cable de alimentación correctamente en la toma de corriente.

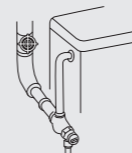


Observe en todo momento

Por favor, use suministro de agua pública.

No debe conectar a una tubería de suministro de aguas industriales que no tiene una calidad adecuada para beber.

- Puede causar irritación de la piel o infecciones del tracto urinario, y también puede ser la causa de la falla del producto.



Prohibición al uso del fuego

Mantenga el cable alejado de los cigarrillos o de cualquier sustancia inflamable.

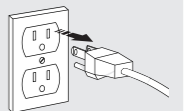
- Puede causar incendio, electrocución o lesión.



Desconectar el cable de alimentación

Por razones de seguridad, desconecte la unidad del cable de alimentación antes de limpiar o separar la taza del inodoro.

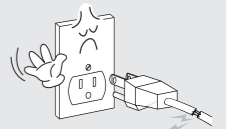
- De lo contrario, puede causar electrocución.



Observe en todo momento

No utilice cable de alimentación dañado o una toma de corriente eléctrica que no esté firme.

- Puede causar incendio o electrocución.



Prohibido

- Niños, ancianos, pacientes que están físicamente limitados deberían asegurarse de que la temperatura del asiento del inodoro, la temperatura del agua, la temperatura de secado este en "bajo".
- Después de utilizar la unidad en altas temperaturas, la temperatura debe estar reajustada en "bajo" para los ancianos, niños y para aquellos con piel sensible.
- Aquellos que no pueden ajustar la temperatura o tienen piel sensible deben tomar precauciones especiales.



Prohibido

Durante la limpieza, no utilice detergentes de limpieza ( productos oxidados, productos lavado, productos de limpieza para baños y todo tipo de quitamanchas) en la superficie externa del asiento del inodoro eléctrico, y también no use aerosoles de fragancias o productos aromáticos en el asiento para eliminar los olores.

- Si utiliza detergentes de limpieza o aerosoles de fragancias el riesgo de decoloración en el aspecto del producto y daños a las cuestiones de seguridad eléctrica puede ocurrir.

### Precaución



Prohibido

No se pare en la cubierta del asiento, el inodoro o la unidad del cuerpo principal. Puede dañar o romper la unidad.



Prohibido

- Nunca opere este producto cuando no funciona correctamente.
- Como la unidad es un dispositivo del baño, no lo use para otros motivos aparte de las indicadas.



Prohibido

No fuerce la tapa ni el asiento, déjelos que se cierren automáticamente.



Prohibido

Por favor, no deje que el niño introduzca sus manos o algún objeto en la boquilla o la salida de la secadora.



Prohibido

No tire del tubo de conexión con fuerza ni lo doble.



Prohibido

Nunca coloque el producto en el agua.



Observe en todo momento

No deje que la orina esté en contacto con la salida de la secadora o la boquilla.



Observe en todo momento

En caso de no utilizar el producto durante un período prolongado o durante la limpieza, asegúrese de desconectar la unidad y drenar el agua. (Consulte la página 39).

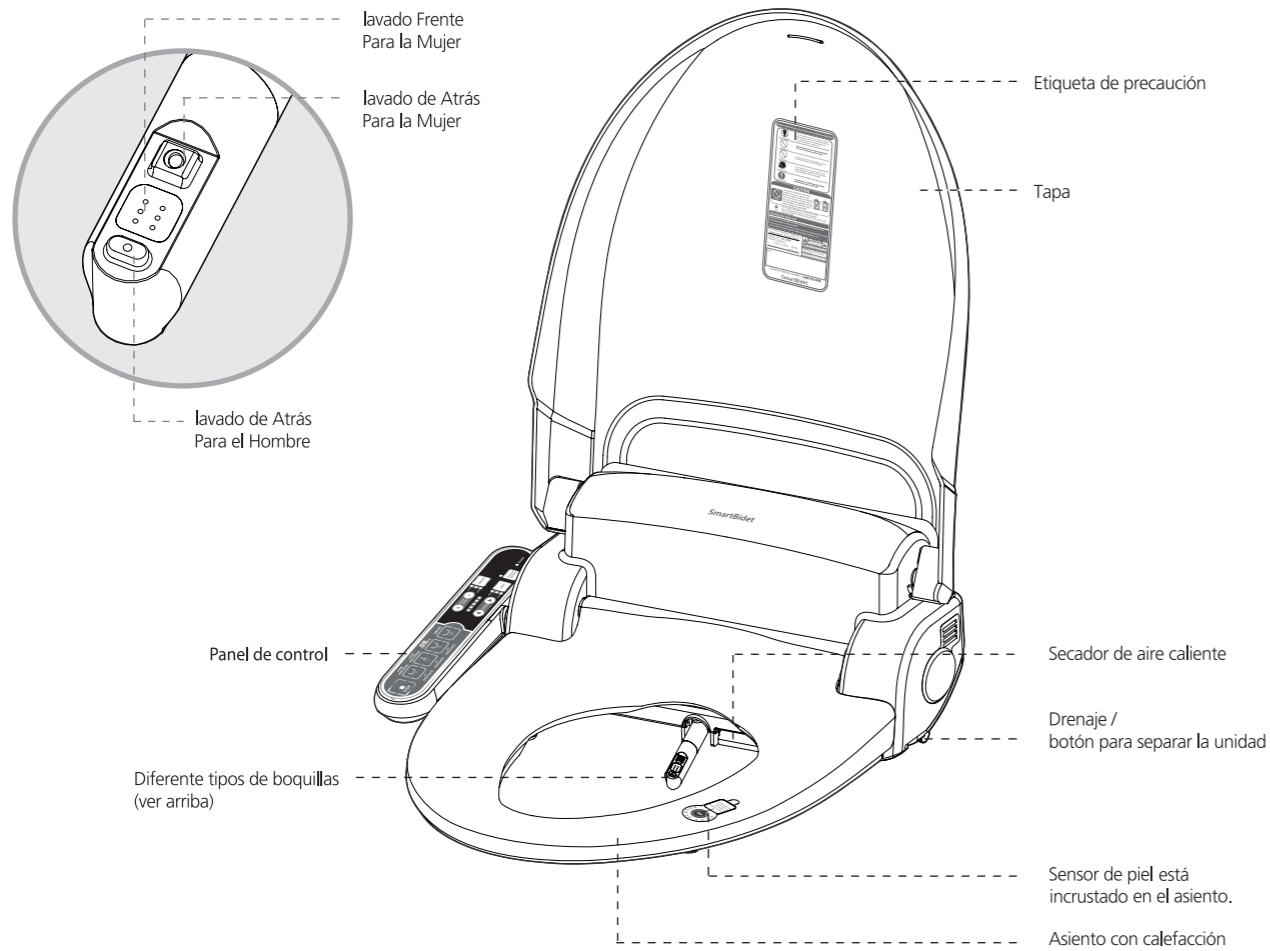


Cuando las siguientes personas se sientan en el asiento del inodoro se debe prestar especial atención para que no se caiga.

- Niños, ancianos y otros quienes no puede sentarse o levantarse por sí mismos.

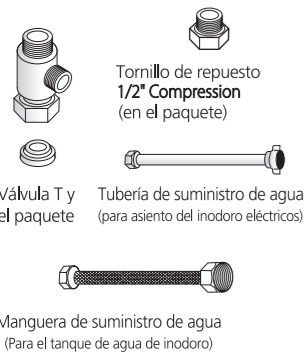
## 4 Estructura e identificación del producto

### Identificación de la Unidad Principal

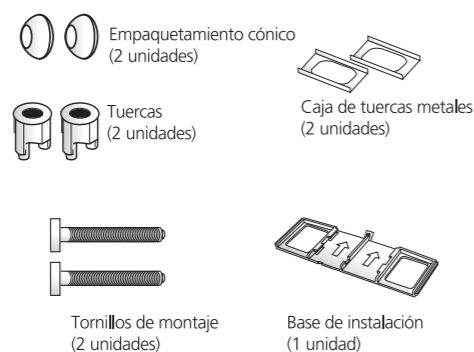


### Componentes del product

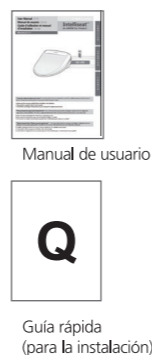
#### Para la plomería



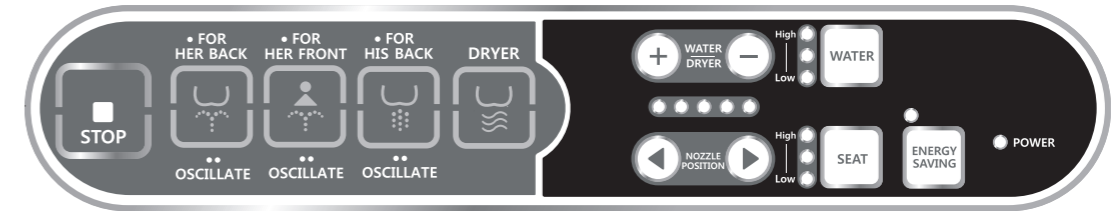
#### Para la fijación del producto



#### Instrucciones de instalación



### Panel de Control



	STOP	Stop
	FOR HER BACK	Lavado de Atrás Para la Mujer
	FOR HER FRONT	Lavado de Frente Para la Mujer
	FOR HIS BACK	Lavado de Atrás Para el Hombre
	DRYER	Al oprimir, la luz de secadora para nivel fuerte, suave se encenderá.
	OSCILLATE	Si pulsa el botón, automáticamente oscilará la boquilla hacia adelante y atrás permitiendo el lavado de un área más amplia. • Si al presionar nuevamente el botón de "oscilar", la función se detendrá automáticamente.
	ENERGY SAVER	Al pulsar el botón de ahorro de energía encendido/apagado automáticamente el modo de ahorro de energía se activará o se cancelará.
	WATER DRYER	La presión del agua y la temperatura de secado pueden ajustarse hasta nivel 5.
	NOZZLE POSITION	Oscilación y la posición de la boquilla se puede ajustar hasta 5 niveles.
	WATER	La temperatura del agua se puede ajustar 4 niveles.
	SEAT	La temperatura del asiento se puede ajustar hasta 4 niveles.

- Siéntese siempre en el centro de la unidad y no se siente en el lado del asiento.  
(Las funciones básicas no funcionarán si el sensor del cuerpo no está activo)
- Cuando se opera Frente Para la Mujer / Atrás Para la Mujer / Atrás Para el Hombre, si la temperatura del agua es baja y sale agua fría después de utilizarlo durante un período prolongado, pause y espere durante 3 minutos para que el agua se caliente.
- Se secará con rapidez si se seca con un papel higiénico antes de su secado.



Puede causar quemaduras con el uso de un largo tiempo del asiento o la secadora con aire caliente. Precauciones especiales deben tomarse para los niños, aquellos que no pueden ajustar la temperatura y los que tienen piel sensible.

## 5 Instalación



### Precauciones

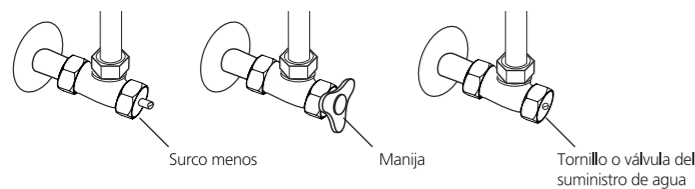
- El producto requiere el uso de 120V.
- Por favor, no enchufe antes de que la instalación esté completa.
- Si es necesario instalar una fuente de energía o un cable de extensión, consulte con un electricista calificado. Para prevenir cortocircuitos o electrocuciones es necesario la conexión a tierra.
- Por favor, contacte nuestro centro de servicio (1-800-515-3430) cuando quiera reinstalar el producto bidé (sustitución o a moverse).

### Verificar la válvula de suministro de agua.

Por favor, verifique la válvula del suministro de agua. Es posible que deba considerar la compra de componentes adicionales. Para el siguiente caso, la T-válvula por sí sola es suficiente para la conexión.

#### ■ Válvula de suministro de agua.

#### ■ Tornillo o válvula del suministro de agua.

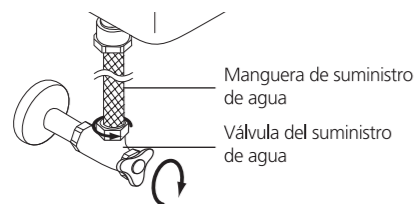


■ El trabajo profesional de ingeniería es necesario para el trabajo de plomería en las tuberías de agua para uso especial.

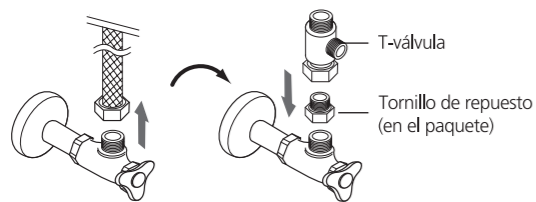
- Consulte con un especialista cualificado..
- Guarde la manguera de agua que no utiliza en un área segura.

### Orden de instalación

- 1** Cierre el suministro de agua del inodoro desmontando la manguera de suministro de agua y girando la válvula de suministro de agua hacia la derecha.



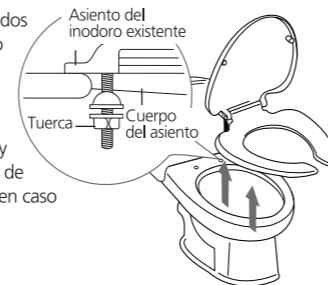
- 3** Conecte la manguera de suministro de agua a la T-válvula. Inserte el embalaje del paquete en la T-válvula.



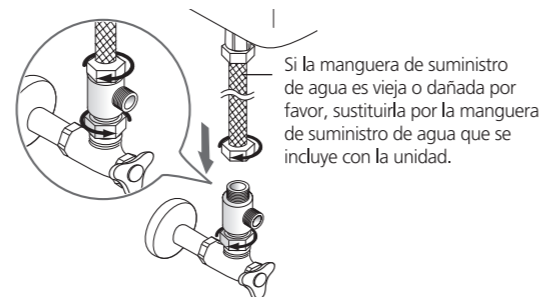
- ※ Si la apertura del suministro de agua es de ½ pulgadas por favor use una tuerca de conversión para conectarlo con la T-válvula.
- ※ Torilla de repuesto incluida es de tipo Compression.
- ※ Embalaje T-válvula debe ser utilizado para prevenir fuga de agua.

- 2** Remueva el asiento y la tapa existente.

- Afloje los tornillos en ambos lados del asiento del inodoro usando un destornillador u otra herramienta adecuada para remover el asiento y la tapa.
- Guarde el asiento del inodoro y la tapa, la tuerca, la manguera de agua en un lugar seguro para en caso de reinstalación.



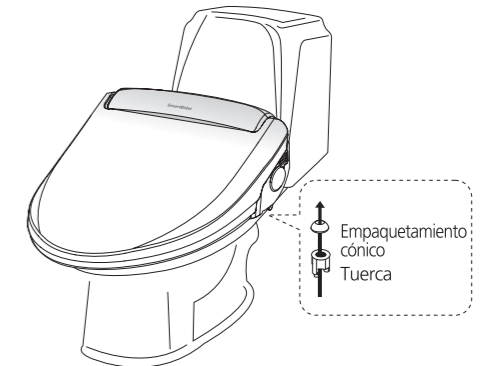
- 4** Conecte la manguera de suministro de agua a la T-válvula instalada.



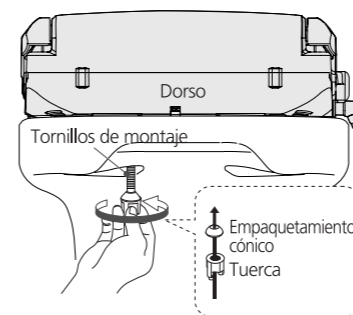
- 5** Coloque los tornillos de montaje en la caja de tuercas instaladas y alínela con la parte superior de la base de instalación. Inserte los tornillos con la caja de tuercas instaladas en la base de instalación. Una vez hecho tome los tornillos y colóquelos en la parte inferior de la unidad hasta que encaje en su lugar.



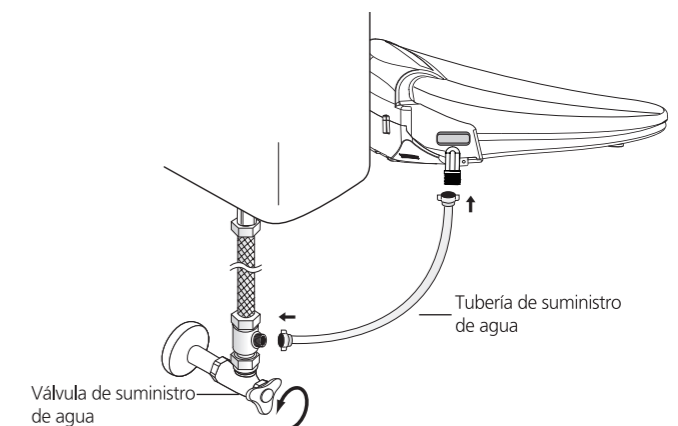
- 6** Instale la unidad principal e inserte los tornillos de montaje del inodoro al montaje de agujeros.



- 7** Una vez que la base de instalación está conectada a la unidad principal, alinee la unidad del inodoro en posición hacia frente, a continuación, inserte los tornillos de montaje del inodoro al montaje de agujeros.



- 8** Conecte la tubería de suministro de agua de un lado de la T-válvula a la unidad. Gire la válvula de suministro de agua a la izquierda para llenar el tanque.

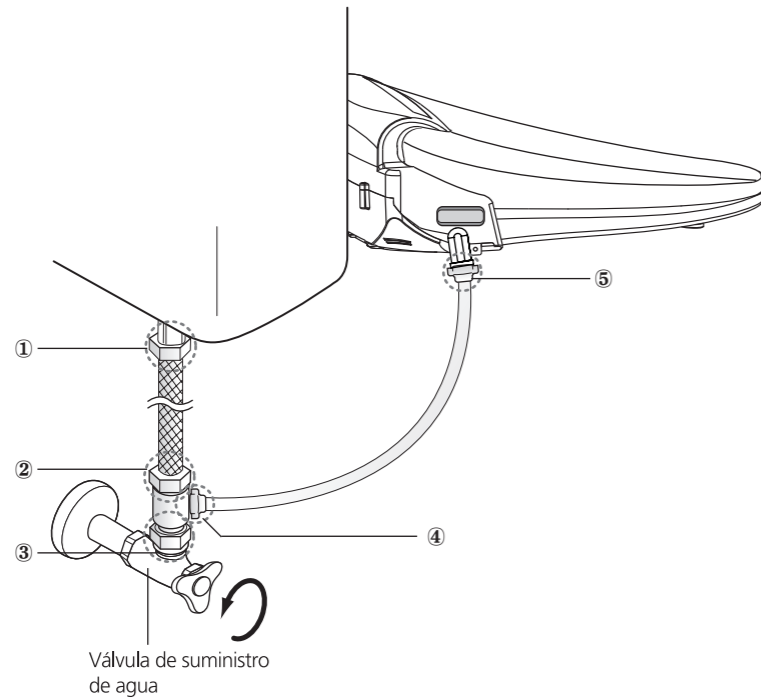


- ※ Los clientes deben usar la manguera nueva serie de siempre con el producto. No usarse fijado de nuevo.



## 6 Operaciones al principio

- 1 Gire la válvula de suministro de agua a la izquierda y asegúrese de que no haya fugas en las conexiones de la manguera. (①~⑤)



- 2 Conecte el cable de alimentación al enchufe 120V.

- Si después de conectar el cable de alimentación la luz de encendido no se enciende, oprima cualquier botón del control. Cuando usted oye un 'pitido', entonces las luces se encenderán.

- 3 Si presiona el o botón el tanque empezará a llenarse con agua caliente.

- Si el tanque está lleno, entonces producirá un pitido bajo lo que indica que la preparación está lista.

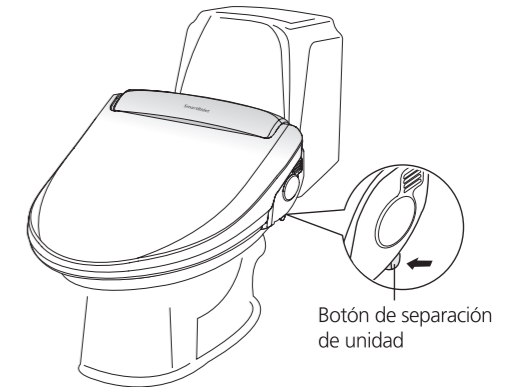
- 4 Función

- Con el fin de comprobar si el sensor funciona, deberá tocar el asiento o sentarse en él para activar el sensor de piel. (Tenga en cuenta que el agua puede salir. Este producto sólo puede funcionar cuando el usuario se sienta en el asiento del inodoro eléctrico.)

## 7 Separación de la unidad del inodoro

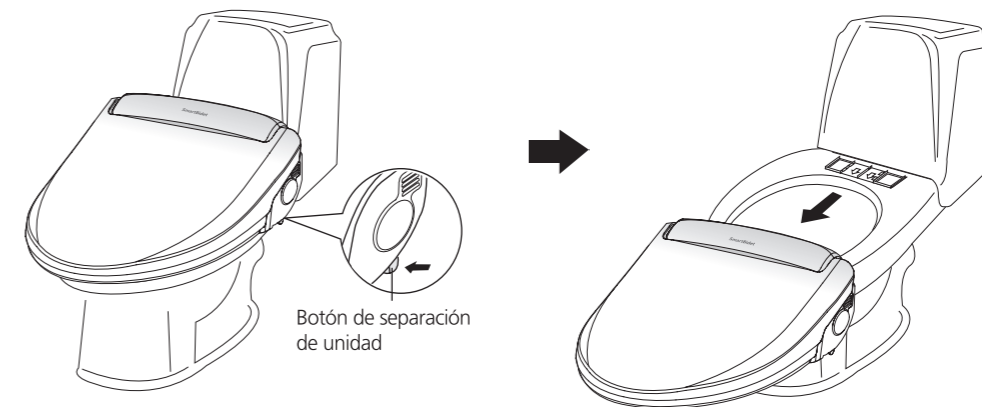
※ Siga las siguientes instrucciones cuando se muda o separa el producto de la taza del baño para la limpieza.

- 1 Desconecte el cable de alimentación.
- 2 Cierre la válvula de suministro de agua.
- 3 Mantenga oprimido el botón del lado derecho de la unidad para drenar completamente el agua del tanque.
- 4 Afloje la tuerca de la manguera que se conecta a la unidad y luego separe el asiento del inodoro eléctrico inodoro en el siguiente orden como está ilustrado.



- Mientras presiona el botón (zona que se muestra como una flecha) empuje el asiento del inodoro eléctrico ligeramente hacia el frente y luego la unidad del cuerpo comenzará a deslizarse. A continuación, presione ligeramente la unidad hacia fuera y empezará a desprenderse del inodoro.

No gire el asiento al revés. Esto puede causar daños a la unidad, así como riesgo de incendio.



- 5 Desconecte la T-válvula del suministro de agua. (Consulte página 30~31 )

- 6 Conecte la manguera de agua en el inodoro que había desmontado al instalar el asiento del inodoro eléctrico y gire la válvula de agua a la izquierda para abrirlo. Ver si hay fugas en la conexión de la manguera de agua.

- 7 Vuelva a instalar el asiento del inodoro y la tapa que se separó al principio de la instalación.

- Como se explicó anteriormente, 1~4 son instrucciones para la separación de la unidad de propósitos básicos de limpieza y 5~7 son las instrucciones para la separación cuando se muda.

## 8 Operación (Operaciones básicas)



### Precaución



Observe en todo momento

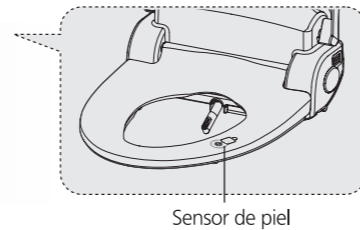
Presione el botón de "off" o "bajo" de la temperatura del asiento cuando las siguientes personas lo utilicen. Precauciones especiales se deben tomar para los niños, aquellos que no pueden ajustar la temperatura y los que tienen piel sensible.

### Sentarse en el asiento

- Siéntese completamente en el asiento del inodoro para que el sensor de piel se active.

#### Advertencia

- No pulse los botones de control más fuerte de lo necesario, esto puede causar daños.
- Como el sensor de piel sólo se activa cuando está en contacto con su cuerpo, por favor asegúrese de que no se cubra con su ropa para prevenir la activación.





### Oprima o , .

- Puede usar el lavado Frente Para la Mujer, Atrás Para la Mujer, Atrás Para el Hombre.
- La función elegida se puede utilizar durante un máximo de 1 minuto.

#### Advertencia

- Las funciones de lavado se detendrá automáticamente después de 1 minuto. Si desea continuar, debe oprimir el botón otra vez.

### Oprima .



- La secadora se activará cuando la luz de la pantalla en el control remoto para  'alta',  'baja' se enciende.
- La función seleccionada puede usarse para un máximo de 3 minutos.
- Se secará con rapidez si se seca con un papel higiénico antes de su secado.

### Oprima .



- Las funciones de Frente Para la Mujer, Atrás Para la Mujer y Atrás Para el Hombre del secado se detendrán al oprimir este botón.

## 9 Operación (Operaciones detalladas)

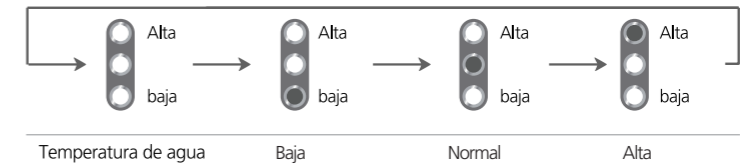
### Presión de agua

- Oprima el botón de  ,  para ajustar la presión de agua y secadoras (La presión de agua se puede ajustar a 1~5 niveles).
- Se recomienda que el filtro de agua sea limpiado periódicamente, ya que la presión del agua puede ser debilitado si cualquier sustancia entra en el filtro de agua. (Consulte la página 38 ).



### Temperatura de agua

- Al oprimir  la luz de la pantalla para los signos (  ) cambiará. La temperatura se puede ajustar al nivel deseado.
- Tiempo de mantenimiento para el agua caliente: este producto puede mantener el nivel de agua caliente hasta 50 segundos durante su sesión de lavado de 1 minuto.

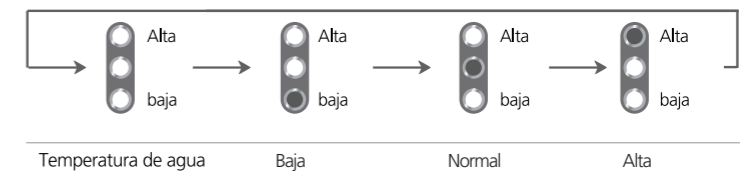
Temperatura de agua



### Temperatura de asiento

- Al oprimir  la luz de la pantalla para los signos (  ) cambiará. La temperatura se puede ajustar al nivel deseado.

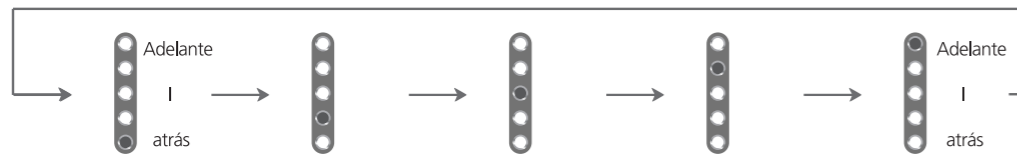
Temperatura de asiento



## 9 Operación (Operaciones detalladas)

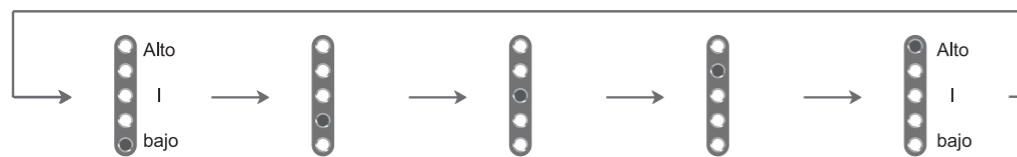
### Posición de boquilla

- Es posible ajustar la posición de boquilla hasta a una posición deseada oprimiendo el botón de ▲ "adelante" o ▼ "atrás".
- Nivel de LED



### Temperatura del secador

- Cuando se utiliza la función de la secadora la lámpara de pantalla ( ) de presión de agua/ temperatura del secador cambiará.
- Ajuste la temperatura del secador pulsando el botón para (Alto) (Bajo).
- Las funciones de secado se puede ajustar hasta 5 niveles.
- Nivel de LED



- A medida que la temperatura del secador de aire caliente aumenta la luz de LED se iluminará (vea la ilustración de arriba)

### Oscilación (Función de movimiento de boquilla)

- Después de activar la función de lavado, pulse el botón una vez más para activar la oscilación, que cubre un área más amplia el lavado.
- Pulse el botón una vez más para detener la oscilación

### Ahorro de energía (Modo de ahorro de energía)

- Oprima el botón para activar la lámpara de modo de ahorroenergía en el control remoto.
- Modo de ahorro de energía mantendrá automáticamente la temperatura de agua y la temperatura de asiento en 89.6°F.
- Si desea desactivar la función de ahorro de energía, oprima el botón de nuevo y la luz de la pantalla se apagará.



Durante el modo de ahorro de energía la temperatura de calentamiento del agua o del asiento puede bajar de lo ajustado.

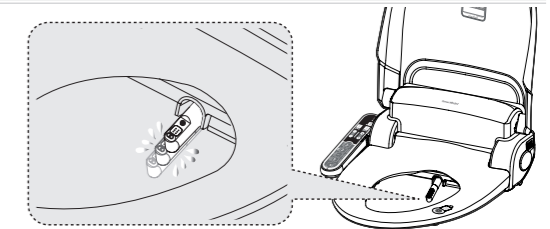
### Otros modos de ahorro de energía

Para un modo de ahorro de energía por favor siga las siguientes instrucciones.

- Mantenga cerrada la tapa del asiento cuando no lo utiliza para evitar la pérdida del calor.
- Mantenga la temperatura fijada en baja.
- Desconecte el cable de alimentación si no piensa utilizarlo durante un largo periodo de tiempo.

### Limpieza de boquilla automática

- Antes y después de usar el lavado de Frente Para la Mujer / Atrás Para la Mujer / Atrás Para el Hombre, la boquilla se limpiará automáticamente.



## 10 Mantenimiento

### Limpeza de la unidad del cuerpo

- Tenga cuidado de no usar cualquier producto de limpieza como detergentes de limpieza, detergente ácido benceno en el exterior del asiento del inodoro eléctrico.
  - El uso de cualquier tipo de productos químicos o limpiadores ásperos en la superficie de asiento del inodoro eléctrico, que está hecho de material plástico, puede dañar o cambiar el color de la unidad.
- No debe echar agua directamente a este producto, ni debe usar la manguera de la ducha.
  - Puede provocar incendios o daños al producto.
- Durante la limpieza, el cable de alimentación debe estar desconectada de la toma de corriente y verifique que el agua no esté en contacto con el cable y el enchufe.
- Después de la limpieza utilizar un paño suave para secar el agua.

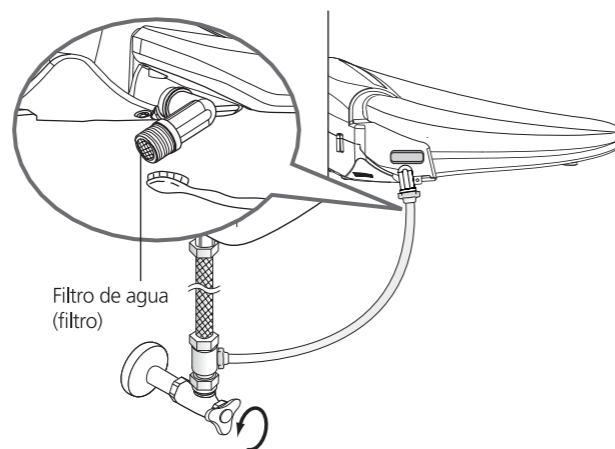
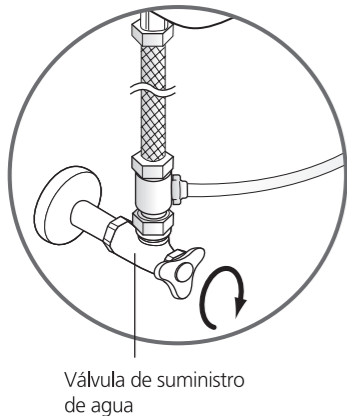
 No utilice otros productos tales como "oxy clean" y blanquador de doro juntos.

### Limpeza de la boquilla

- Por favor, haga lo siguiente sin sentarse en el asiento del inodoro.
  - En el control remoto oprima y mantenga presionado el botón "For Her Back" durante tres (3) segundos y la boquilla de agua se extenderá.
  - Para la limpieza utilizar un cepillo de cerdas suaves (cepillo de dientes) o un paño suave. Al finalizar, oprima y mantenga presionado el botón "For Her Back" y la boquilla se retirará hacia atrás a su posición original y llevará a cabo su función de auto-limpieza.
  - Al término de estos dos pasos el asiento del inodoro puede ser utilizado.

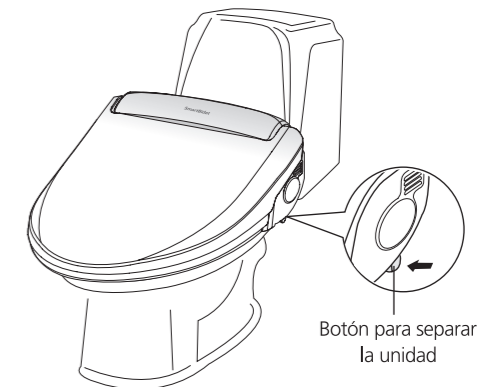
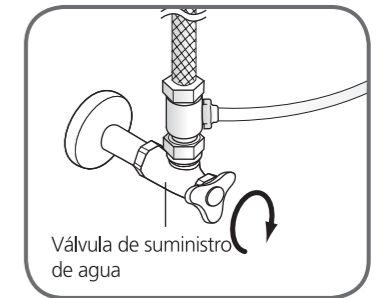
### Limpeza del filtro de agua

- 1) Cierre el agua de la válvula de cierre .
- 2) Descargue el inodoro para vaciar el depósito de agua .
- 3) Afloje la tuerca de la manguera de agua .
- 4) Limpiar el filtro con un cepillo pequeño o el agua
- 5) Vuelva a atornillar la tuerca de la manguera de agua.
- 6) Abra la válvula de cierre del agua .




## 11 Drenaje de agua del tanque

- 1 Desconecte el cable de alimentación.
- 2 Cierre la válvula de suministro de agua girando hacia la derecha.
- 3 Al pulsar la palanca de drenaje que está al lado de la unidad del equipo, El tanque empezará a vaciarse para eliminar completamente el agua de la unidad.
  - Este asiento del inodoro eléctrico ha considerado la conveniencia del usuario en el que el agua pueda drenar fácilmente sin separación de la unidad de la tapa del inodoro.



## 12 Mantenimiento para la temporada de invierno

- 1 Verifique si el cable de alimentación está bien conectado.
- 2 Ajuste el botón  a la temperatura a la "baja" para evitar que el agua se congele.
- 3 Si el producto no se utiliza durante un largo período de tiempo, por favor desconecte el cable de alimentación y drene el agua de la unidad interna.
- 4 Por favor, no guarde este producto en el exterior durante el invierno ya que puede dañar el producto.



## 13 Solución de problemas

※ Por favor, verifique los siguientes problemas antes de consultar con el servicio al cliente.

Solución de problemas	medida para comprobar
Cuando el agua no sale	<ul style="list-style-type: none"> <li>• Verifique si el tanque de agua está lleno.</li> <li>• Verifique si la válvula de suministro de agua está cerrada.</li> <li>• Verifique si el filtro de agua está obstruido.</li> </ul>
La unidad no está funcionando	<ul style="list-style-type: none"> <li>• Verifique si el cable de alimentación está correctamente conectado.</li> <li>• Verifique si el sistema de suministro de electricidad está desactivada.</li> <li>• Verifique si está correctamente sentado en el asiento de modo que el interruptor del sensor de piel funcione correctamente. (Siéntese en el asiento para que el sensor de piel o pueda detectar su piel.)</li> </ul>
Cuando el agua gotea	<ul style="list-style-type: none"> <li>• Después de comprobar si el suministro de agua está conectado correctamente, si ve que está perdiendo agua de la unidad principal, desconecte y comuníquese con un personal de servicio para repararlo.</li> </ul>
La presión del agua es débil	<ul style="list-style-type: none"> <li>• Verifique si la presión de agua está fijada en el nivel "bajo"</li> <li>• Verifique si el filtro de agua está obstruido.</li> </ul>
El agua de lavado, el asiento y la secadora no está caliente	<ul style="list-style-type: none"> <li>• Verifique si la temperatura de agua y el asiento está fijada en el nivel "bajo".</li> <li>• Verifique si la temperatura del secador está fijada en el nivel "bajo".</li> </ul>
Cuando la boquilla no sale	<ul style="list-style-type: none"> <li>• Vea si el sensor de piel del asiento está en contacto con la piel.</li> </ul>
Cuando el agua está fría o caliente	<ul style="list-style-type: none"> <li>• Ajuste la temperatura a (alta, baja).</li> <li>• Espere aproximadamente unos 3 minutos después del uso de la persona anterior.</li> <li>• Espere aproximadamente unos 3 minutos después de sentarse en el asiento.</li> </ul>
Cuando la unidad principal está floja	<ul style="list-style-type: none"> <li>• Ajuste completamente la tuerca</li> </ul>
Cuando la secadora no funciona	<ul style="list-style-type: none"> <li>• Siéntase para que el sensor de piel del asiento pueda detectar su piel.</li> </ul>

## 14 Especificaciones

Especificaciones		SB-2000
Grado de energía		120V / 60 Hz / 660W
Tipo de suministro de agua	Tipo	Suministro directo de agua
	Presión de suministro de agua	0.04 ~ 0.74MPa(0.4 ~ 7.5 kgf/cm <sup>2</sup> )
Dispositivo de lavado	Lavado Atrás Para la Mujer	Max. 700cc ± 150cc / min.
	Lavado Frente Para la Mujer	Max. 700cc ± 150cc / min.
	Lavado Atrás Para el Hombre	Max. 700cc ± 150cc / min.
	Presión de agua ajustable	5 niveles
	Control de temperatura de agua caliente	Temp. ambiental - Baja, Normal, Alta
Calentador		600W
Dispositivo de seguridad		Fusible térmica, Interruptor térmico, Sensor de nivel de agua
Asiento calentado	Control de temperatura	Temp. ambiental - Baja, Normal, Alta
	Calentador	55W
	Dispositivo de seguridad	Fusible térmico, fusible térmico de bimetálico
Dispositivo de secador de aire caliente	Ajuste de temperatura de aire caliente	Temp ambiental ~ 131°F, 5 niveles
	Calentador	250W
	Dispositivo de seguridad	Fusible térmico, fusible térmico de bimetálico
Temperatura de agua suministrada		37.4 °F ~ 95°F (3°C ~ 35°C)
Temperatura ambiental		37.4 °F ~ 104°F (3°C ~ 40°C)
Dimensión	Alongado	W: 18.7 pulgadas (475mm) L: 20.6 pulgadas (525mm) H: 7.13 pulgadas (181mm)
	Ronda	W: 18.7 pulgadas (475mm) L: 19.4 pulgadas (493mm) H: 7.13 pulgadas (181mm)
Peso (lbs)	Peso neto: 10.7 lbs (peso bruto: 15.4 lbs)	Peso neto: 10.6 (peso bruto: 15.4 lbs)

※ La función y diseño de este producto se podría cambiar sin aviso para la mejora de su calidad.

## Fonctions importantes



**SmartBidet**  
ELECTRONIC TOILET SEAT • SIÈGE DE TOILETTE ELECTRONIQUE • ASIENTO DE INODORO ELECTRÓNICO

**EASY TO USE • ECO FRIENDLY • NO MORE TOILET PAPER**  
FACILE À UTILISER • ÉCOLOGIQUE • PLUS DE PAPIER HYGIÉNIQUE  
FÁCIL DE USAR • ECOLÓGICO • BASTA DE PAPEL HIGIÉNICO

**HEATED AIR DRYER • HEATED WATER • HEATED SEAT**  
SECHOIR À AIR CHAUD • EAU CHAUFFÉE • SIÈGE CHAUFFANT  
SECADOR DE AIRE CALIENTE • AGUA CALIENTE • ASIENTO CALEFACCIONADO

**BUILT-IN CONTROL PANEL**

**SB-2000**  
Distributed by Hitrons Solutions Inc

- Adjustable Nozzle**  
Bec réglable  
Boquilla ajustable
- Heated Water**  
Eau chaude  
Agua caliente
- Heated Seat**  
Siège chauffant  
Asiento calefaccionado
- Warm Air Dryer**  
Séchoir à air chaud  
Secador de aire caliente
- Easy to Use**  
Facile à utiliser  
Fácil de Usar
- Easy Installation**  
Installation facile  
Fácil instalación
- Soft Closing**  
Fermeture en douceur  
Cierre suave

## Contenu

### Préparation

Mises en gardes générales	44
Structure et désignations du produit	46
Désignations des contrôles	47

### Opération

Installation et précautions	48
Première opération	50
Détachement du produit de la cuvette des toilettes	51
Opération de base	52
Opération avancée	53
Maintenance	56
Purgation de l'eau du réservoir	57
Usage d'hiver	57

### nettoyage et autres

Dépannage	58
Spécifications techniques	59
Garantie	60-61

# 1 Mises en gardes générales

## Danger



Désassemblage et remodelage interdit

**Ne pas séparer, désassembler, réparer ou remodeler l'appareil, ou laisser des substances étrangères pénétrer l'appareil.**

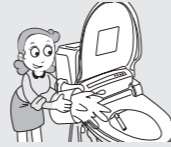
- Ceci peut causer un incendie ou choc électrique.
- Ce produit ne devrait être réparé que par du personnel de service qualifié.



Ne pas pulvériser de l'eau

**Ne pas éclabousser de l'eau sur l'appareil ou le cordon électrique, et ne pas l'utiliser dans des lieux à hauts niveaux d'humidité.**

- Ceci peut causer un incendie ou choc électrique.



Mise à la terre

**Ce produit doit être mis à la terre avant son utilisation et branché dans une prise AC de 120V/60hz.**

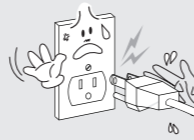
- Si le produit n'est pas mis à la terre, un incendie ou un choc électrique pourrait en résulter.



Mains mouillées interdites

**Ne pas toucher le cordon électrique avec des mains mouillées.**

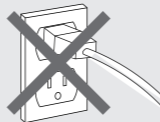
- Ne pas débrancher le fil de courant avec des mains mouillées, cela pourrait provoquer un choc électrique ou une blessure physique.



Interdit

**Ne pas brancher la prise électrique avant que l'installation soit complète et que la source d'eau soit proprement connectée.**

- Ceci peut provoquer un incendie ou endommager le produit.



Interdit

**Ne pas brancher plus d'un cordon sur une prise.**

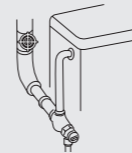
- Cet appareil utilise une prise de courant de 120V.
- Peut provoquer un surchauffage ou danger d'incendie.
- Brancher le fil de courant correctement dans la prise murale.



Se conformer à tout moment

**Veillez utiliser une source d'eau publique. Veuillez ne pas connecter l'appareil à de l'eau industrielle ou à des eaux grises.**

- Peut provoquer des infections de la peau ou urinaires et endommager l'appareil.



Utilisation de feu interdite

**Garder le câble hors de cigarettes ou autres matériaux inflammables.**

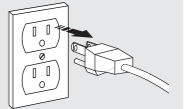
- Peut provoquer un choc électrique ou une blessure physique.



Débrancher le cordon électrique.

**Peut provoquer un choc électrique ou une blessure physique.**

- Ne pas débrancher le cordon électrique pourrait



Se conformer à tout moment

**Ne pas utiliser un cordon électrique endommagé ou une prise murale mal ajustée.**

- Ceci peut provoquer un choc électrique.



Interdit

- Les enfants, personnes âgées, patients et personnes physiquement limités doivent régler la température du siège, de l'eau et du séchoir à air sur chaud 'bas'.
- Après avoir utilisé le produit à de hautes températures, il est conseillé de réajuster la température sur 'bas' pour les personnes âgées, enfants et personnes ayant une peau sensible.
- Ceux qui ne peuvent pas ajuster la température ou qui ont une peau sensible sont conseillés de procéder avec précaution.
- Attention aux brûlures à faible degré.



Interdit

**Lors du nettoyage, ne pas utiliser des produits détergents (produits pour micro-ondes, produits oxydés, produits pour évier, produits pour toilettes, et tout type de détachant) sur la surface externe du siège électronique. Ne pas pulvériser des rafraîchisseurs d'air ou produits aromatiques sur le siège dans le but d'éliminer les odeurs.**

- L'utilisation de produits détergents ou de rafraîchisseurs d'air peut changer la couleur de la surface externe et peut également compromettre la sécurité électrique.

## Mises en garde



Interdit

**Ne pas marcher sur le couvercle, siège ou sur l'appareil principal. Ceci pourrait endommager ou casser l'appareil.**



Interdit

- Ne pas utiliser un produit cassé ou endommagé.
- Etant donné que cet appareil est destiné à usage de salle de bain, ne pas l'utiliser pour des fins autres que celles mentionnées dans le manuel d'instructions.



Interdit

**Ne pas claquer ou fermer le siège ou son couvercle de façon brutale.**



Interdit

**Veillez empêcher les enfants de mettre des substances ou d'insérer leurs mains dans la sortie du séchoir ou sur la douche.**



Interdit

**Ne pas tirer sur le tuyau de raccordement ou le tordre.**



Interdit

**Ne jamais mettre le produit dans l'eau.**



Se conformer à tout moment

**Ne pas laisser de l'urine entrer en contact avec la sortie de la sècheuse ou la douche.**



Se conformer à tout moment

**Si l'appareil n'est pas utilisé pendant une période de temps prolongée, ou durant son nettoyage, assurez-vous de le débrancher. (voir page 57)**

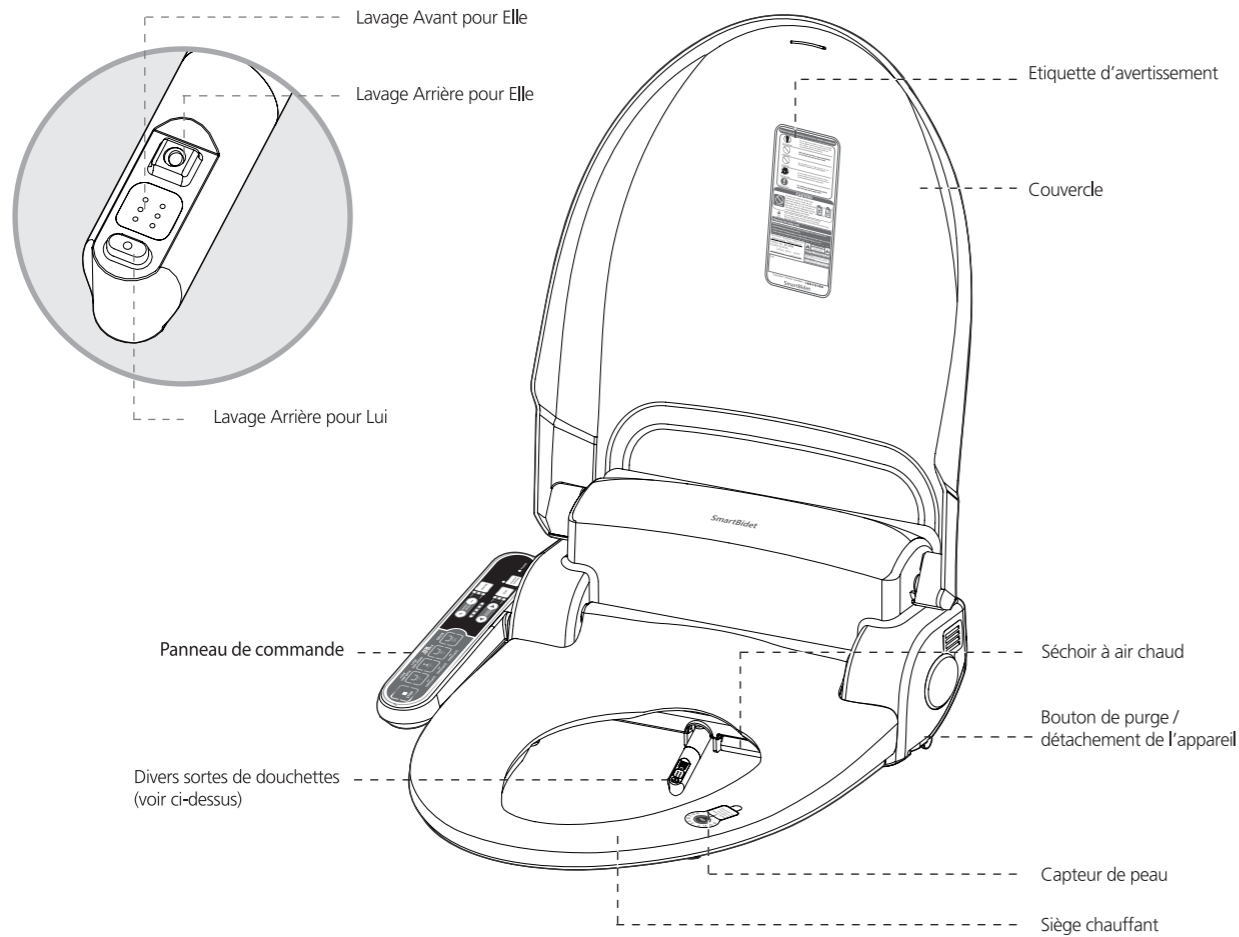


**Quand les personnes suivantes s'assoient sur le siège, il est conseillé qu'un assistant surveille de près de sorte à ce qu'elles ne tombent pas en s'asseyant ou en se levant du siège.**

- Enfants, personnes âgées, ou ceux qui ne peuvent pas indépendamment s'asseoir sur ou se lever du siège.

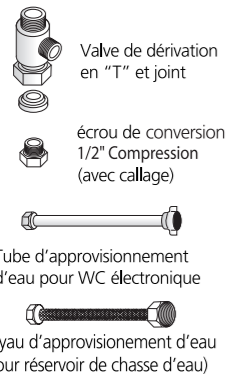
## 2 Structure et désignations du produit

### Appareil principal

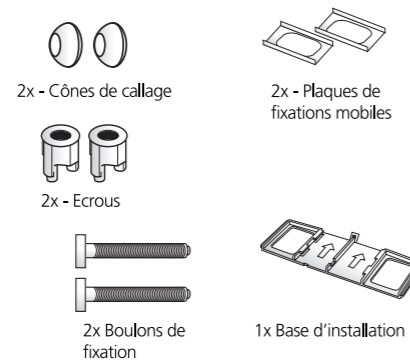


### Composants du produit

#### Plomberie



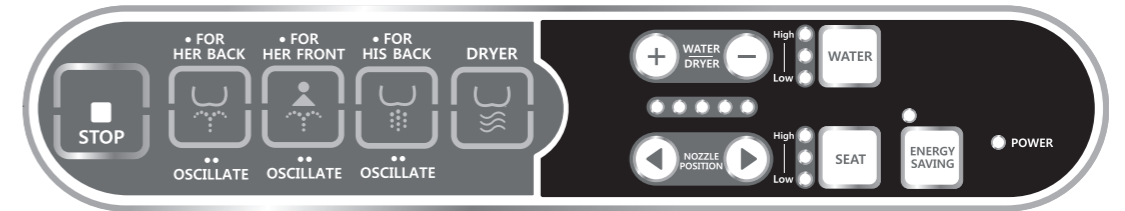
#### Fixation



#### Instructions



### Panneau de commande



	STOP	Stop
	FOR HER BACK	Lavage Arrière pour Elle
	FOR HER FRONT	Lavage Avant pour Elle
	FOR HIS BACK	Lavage Arrière pour Lui
	DRYER	Une fois sélectionné, une diode éclairera sur la télécommande désignant le niveau de puissance, suivie par l'activation du séchoir. • Le séchage sera plus rapide au cas où l'eau aurait déjà été essuyée au préalable.
	OSCILLATE	Appuyer sur ce bouton activera automatiquement l'oscillation de la douchette pour un lavage plus large. • Appuyer sur 'Oscillate' une deuxième fois arrêtera la fonction.
	ENERGY SAVER	Appuyer sur 'Energy Save' activera ou désactivera la fonction d'économie d'énergie.
	WATER DRYER	La pression de l'eau et la température du séchoir peuvent être réglés jusqu'à 5 niveaux.
	NOZZLE POSITION	La position de la douchette et l'oscillation peuvent être ajustées en 5 niveaux.
	WATER	La température de l'eau peut être réglée jusqu'à 4 niveaux.
	SEAT	La température du siège peut être réglée jusqu'à 4 niveaux.

- Toujours s'asseoir sur le milieu de l'appareil et ne pas s'asseoir sur le bord du siège.  
(Les fonctions basiques ne fonctionneront pas si le capteur de peau n'est pas allumé)
- Lors de l'utilisation de la douchette Avant pour Elle / Arrière pour Elle / Arrière pour Lui, si vous obtenez de l'eau froide dû à une utilisation prolongée, veuillez patienter 3 minutes de sorte à ce que l'eau chaude puisse être fournie.
- Le séchage sera plus rapide au cas où l'excès d'eau aurait déjà été essuyée au préalable avec du papier toilettes.



S'asseoir sur le siège chauffant ou l'utilisation du séchoir pendant une période de temps prolongée peut résulter en une brûlure faible. Veuillez prendre des précautions pour les enfants, personnes ne pouvant pas ajuster la température, et ceux qui ont une peau sensible.



## 3 Installation

### ⚠ Précautions

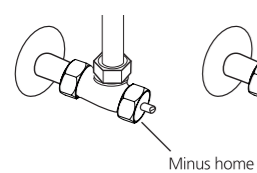
- Ce produit requiert 120V pour son utilisation.
- Ne pas brancher le cordon électrique avant l'installation.
- Si des travaux électriques sont nécessaires, ou si la prise n'est pas mise à la terre, un raccordement à la terre devrait être fait par un électricien qualifié pour éviter tout court-circuit ou choc électrique.
- S'il vous plaît communiquer avec notre centre de service (1-800-515-3430) lorsque vous souhaitez réinstaller le produit bidet (de déplacement ou de remplacement).

### Veillez vérifier la valve d'eau dans votre salle de bain

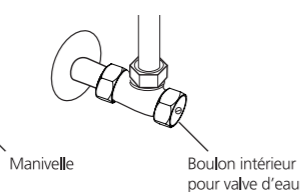
Veillez vérifier la valve d'eau dans votre salle de bain. Il se pourrait que vous devriez acheter des composants supplémentaires. Après avoir vérifié, veuillez consulter le magasin où le produit a été acheté.

Pour la situation suivante, la valve de dérivation en "T" est suffisante pour la connexion.

#### ■ Valve d'approvisionnement général en eau



#### ■ Boulon intérieur de la valve d'eau.

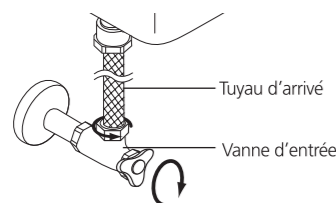


#### ■ Tous travaux sur les conduites d'eau spécialisés et les tuyaux de valve de chasse doivent être faits par un ingénieur professionnel

- Veuillez consulter un spécialiste qualifié.
- Veuillez placer le tuyau d'eau inutilisé dans un endroit sûr.

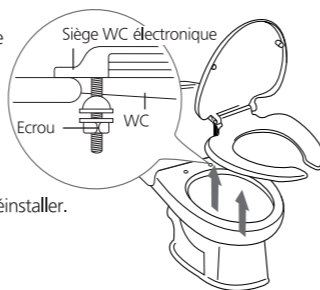
### Installation steps

- 1** Fermez le conduit d'eau en le tournant vers la droite et désassemblez le tuyau d'eau.

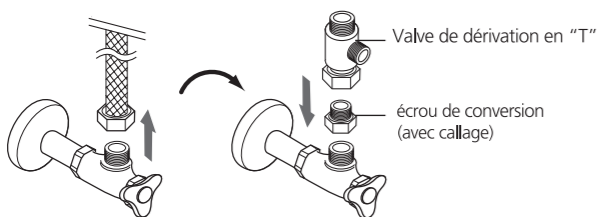


- 2** Retirez le siège et couvercle d'origine.

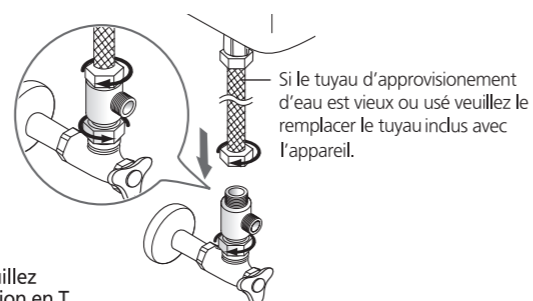
- Enlevez les boulons sur chaque côté du WC pour retirer le siège et le couvercle.
- Garder les écrous, le siège, le couvercle et le tuyau d'eau de côté de sorte à pouvoir le réinstaller.



- 3** Connectez le tuyau d'approvisionnement d'eau à la valve de dérivation en T. Insérez le joint dans la valve de dérivation en T.

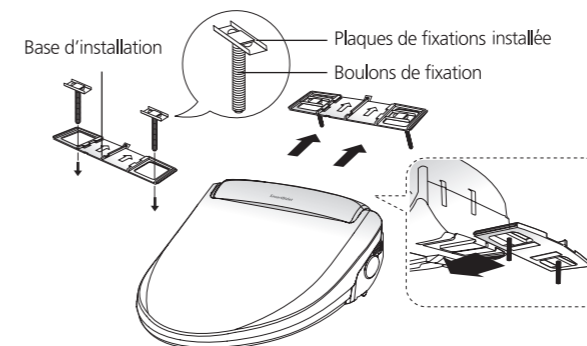


- 4** Connectez le tuyau d'approvisionnement d'eau à la valve de dérivation en T assemblée.

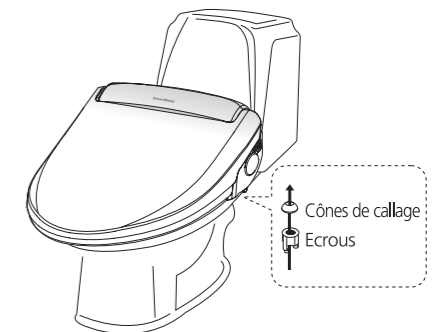


- ※ Si l'ouverture de la valve d'approvisionnement d'eau est de 1/2 pouce, veuillez utiliser un écrou de conversion pour le connecter avec la valve de dérivation en T.
- ※ L'écrou de conversion incluse est de type Compression.
- ※ Le joint doit être utilisé avec la valve de dérivation en T pour éviter toute fuite.

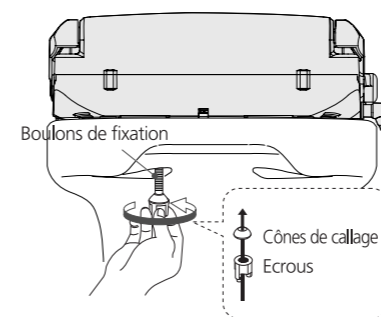
- 5** Insérez le boulon dans la plaque de fixation mobile et alignez le avec le haut de la base d'installation. Insérez le boulon et la plaque de fixation mobile sur la base d'installation. Ensuite, tenez les boulons et glissez le en dessous de l'appareil jusqu'à ce qu'il s'enclenche en place.



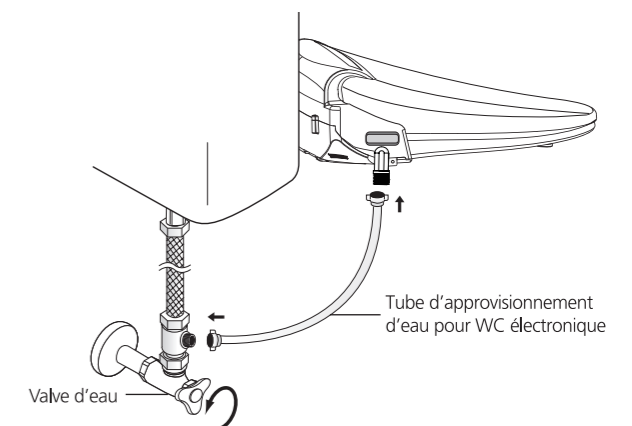
- 6** Installez l'appareil et insérez les boulons de montage dans les trous de montage du WC.



- 7** Une fois que la plaque de base est attachée à l'appareil, alignez l'appareil et l'installation de face et ensuite insérez les boulons de montage aux trous de montage du WC.



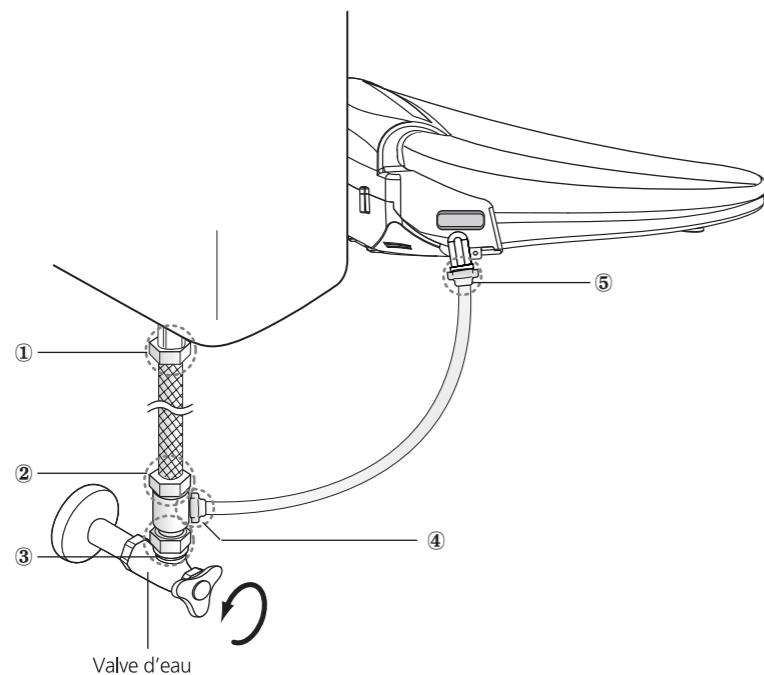
- 8** Connectez le tube flexible depuis le côté de la valve en dérivation T à l'appareil. Tournez la valve d'eau vers la gauche pour permettre la circulation d'eau.



- ※ Clients Devrait utiliser le nouvel ensemble de tuyau fourni avec le produit. Ne pas utiliser à nouveau ensemble utilisé.

## 4 Première utilisation

- 1 Tournez la valve d'eau vers la gauche pour voir s'il n'y a une fuite d'eau depuis le tuyau. (①~⑤)



- 2 Branchez le cord électrique à une source de 120V.

- Si la diode de courant ne s'apparait pas après avoir branché l'appareil, appuyez sur n'importe quel bouton de la télécommande.
- Si vous entendez un bip sonore, la diode de courant s'allumera.

- 3 Si vous appuyez sur ou , l'eau commencera à remplir le réservoir d'eau chaude.

- Si le réservoir est plein, un bip sonore vous avertira que la préparation est terminée.

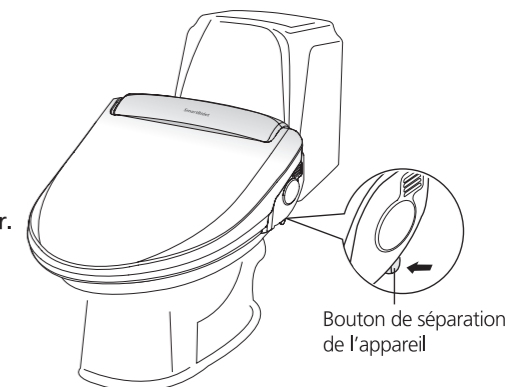
- 4 Fonctions

- Pour vérifier si les fonctions marchent, vous devez d'abord toucher le siège ou vous asseoir dessus de sorte à activer le capteur de peau.  
(Attention, de l'eau peut sortir de l'appareil. Ce produit ne peut fonctionner que lorsqu'un utilisateur est assis sur le siège électronique, le capteur de peau s'activera même si qu'une partie du corps entre en contact avec le siège.)

## 5 Détachement du produit des toilettes

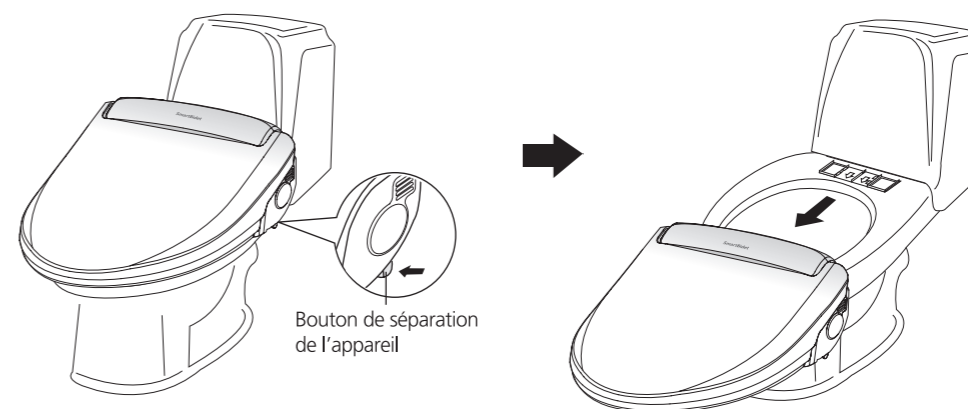
※ Veuillez suivre les indications suivantes lors du détachement de l'appareil des toilettes pour des fins de nettoyages.

- 1 Déconnectez la prise de courant.
- 2 Fermez le robinet d'approvisionnement d'eau.
- 3 Appuyez et maintenez enfoncé le bouton sur le coté droit de l'appareil de sorte à entièrement purger l'eau du réservoir.
- 4 Désserez l'écrou du tuyau connecté à l'appareil. Ensuite, séparez l'appareil des toilettes dans l'ordre suivant comme illustré.



- Tout en appuyant sur le bouton (zone désigné par une flèche), poussez le siège électronique délicatement vers l'avant, l'appareil commencera à glisser. Ensuite, poussez l'appareil légèrement vers l'avant et il sera détaché.

Ne pas retourner le siège à l'envers. Ceci peut endommager l'appareil ainsi que provoquer un incendie.



- 5 Déconnectez la valve de dérivation en T de l'approvisionnement d'eau. (Voir page 48~49 )
- 6 Connectez le tuyau d'eau qui a été désassemblé lors de l'installation du siège électronique au WC. Tournez la valve vers la gauche pour l'ouvrir. Vérifiez à ce qu'il n'y ait pas de fuite d'eau provenant de la connexion.
- 7 Re-installez la lunette des toilettes et le couvercle qui ont été séparés lors de l'installation du siège électronique.
  - Comme expliqué ci-dessus, 1~4 sont des instructions de séparation de l'appareil pour effectuer du nettoyage basique. 5~7 sont des instructions de séparation en cas de déménagement etc.

## 6 Opération (Basique)



### Précautions



Se conformer à tout moment

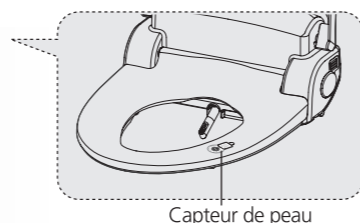
Veillez appuyer sur le bouton 'off' ou 'low' pour la température du siège pour l'utilisateur suivant. Veuillez prendre des précautions pour les enfants, personnes ne pouvant pas ajuster la température, et ceux qui ont une peau sensible.

### S'asseoir sur le siège.

- S'asseoir sur le siège de sorte à ce que le capteur de peau puisse complètement s'activer.

#### Avertissement

- Ne pas appuyer sur les boutons de contrôle de manière trop forte. Ceci peut causer des dommages.
- Etant donné que le capteur de peau n'est allumé uniquement lorsque le siège est en contact avec le corps, soyez sûr de baisser vos vêtements de sorte à ne pas couvrir le siège ce qui empêchera l'activation du capteur.





Veillez appuyer sur  ou , .

- Lavage disponible en tant que Pour Elle Arrière, Pour Elle Avant, Pour Lui Arrière.
- La fonction sélectionnée peut être utilisé pendant 1 minute.

#### Avertissement

- Les fonctions de lavage s'arrêteront automatiquement après une minute. Si vous désirez l'utiliser continuellement, appuyez une seconde fois sur le bouton.

Appuyez sur .



- Lorsque le séchoir s'active, la lumière  Haut /  Bas s'active sur la télécommande.
- La fonction sélectionnée peut être utilisée pendant 3 minutes.
- Avant d'utiliser le séchoir, l'utilisation de papier toilette rendra le séchage plus rapide.

Appuyez sur .



- Le lavage ou séchage Pour Elle Devant, Pour Elle Derrière, Pour Lui Derrière s'arrêteront tous.

## 7 Opération (Instructions d'utilisation de chaque fonctions)

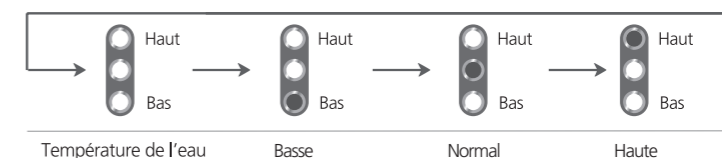
### Pression de l'eau

- Appuyez sur ,  pour l'eau / séchoir (La pression de l'eau peut être ajusté de 1 à 5)
- Il est conseillé de nettoyer périodiquement le filtre d'eau (épurateur), étant donné que la pression d'eau peut être affaiblie si ce dernier est sale. (Voir page 56)



### Réglage de la température d'eau

- Lorsque le bouton  est appuyé la diode (  ) changera en fonction de la température d'eau désirée.
- Moyenne de temps de maintenance de l'eau chaude: Ce produit peut maintenir un niveau d'eau chaude de 50 secondes lors d'un lavage de 1 minute.

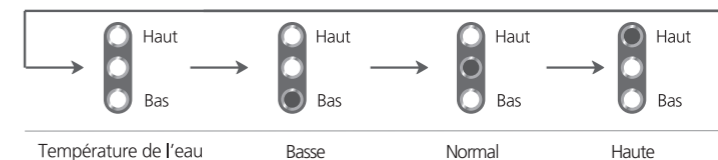
Température de l'eau



### Température du siège

- Lorsque que le bouton  est appuyé, l'éclairage (  ) changera. La température peut être ajustée au niveau désiré.

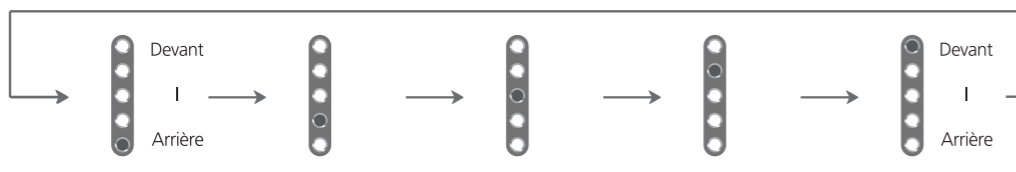
Température du siège



## 7 Opération (Instructions d'utilisation de chaque fonctions)

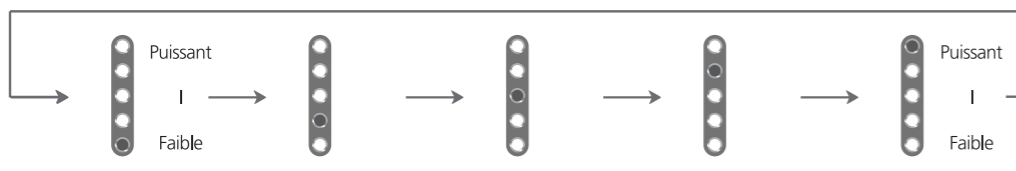
### Ajustement de la position de la douchette

- Lors de l'utilisation des fonctions de lavage, utilisez les flèches ▲ (Devant), ▼ (Arrière) pour ajuster la douchette à votre corps.
- Puissance de la LED



### Ajustement du séchoir

- La diode (●●●●●) pour la pression de l'eau / Séchoir changera lors de l'utilisation du séchoir.
- Ajustez la température du séchoir en appuyant sur pour + (Puissant), - (Faible)
- La fonction de séchoir peut être réglée en 5 niveaux.
- Puissance de la LED





- Alors que la température du séchoir à air augmente, l'indicateur LED s'illuminera. (voir illustration ci-dessus)

### Osciller

- Après activation de la fonction de lavage, appuyez sur le bouton une fois de plus pour activer l'oscillation qui couvre une zone plus large pour le lavage.
- Appuyez sur le bouton une fois de plus pour arrêter l'oscillation.

### Economiseur d'énergie

- Appuyer sur  activera la diode d'économie d'énergie sur la télécommande.
- Le mode économiseur d'énergie maintient automatiquement une température du siège et de l'eau à 89.6°F.
- Si vous désirez éteindre la fonction d'économie d'énergie, appuyez sur le bouton  une seconde fois et la diode s'éteindra.
- La fonction d'économie d'énergie s'annulera automatiquement lors de l'utilisation de l'appareil pendant une coupure de courant et lorsque l'utilisateur se lève de siège.



Lors d'une coupure de courant, la température de l'eau ou du siège peuvent apparaître plus bas réglés.

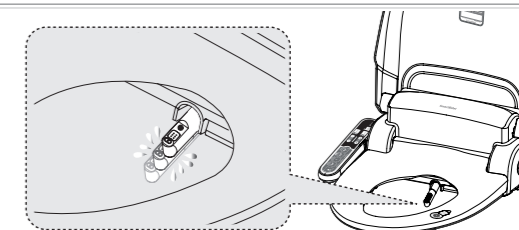
### Autres astuces d'économie d'énergie

Pour économiser de l'énergie, veuillez suivre les instructions suivantes.

- Fermer le couvercle du siège.
- Veuillez garder la température sur bas.
- Débranchez la prise de courant si vous n'allez pas utiliser le produit pendant une période de temps prolongée.

### Douchette auto nettoyante.

- Avant et après avoir utilisé les lavages Pour Elle Avant / Pour Elle Arrière / Pour Lui Arrière, la douchette se nettoiera automatiquement.



## 8 Maintenance

### Nettoyage de l'appareil

- Attention à ne pas utiliser de produits détergents tels que de l'acide chimique de benzène sur l'extérieur du siège.
  - L'utilisation de produits chimiques ou d'épurateurs bruts sur la surface du siège électronique, qui est constitué de matériaux pastiques, peut endommager ou changer la couleur de celui-ci.
- Ne pas pulvériser de l'eau directement ou un jet d'eau sur l'appareil.
  - Peut endommager l'appareil ou provoquer un incendie.
- Lors du nettoyage, le cordon électrique doit être débranché de la prise murale. Assurez-vous qu'il n'y ait aucun contact entre l'eau et le cordon électrique et la prise murale.
- Après nettoyage, utilisez un chiffon doux pour sécher l'appareil.

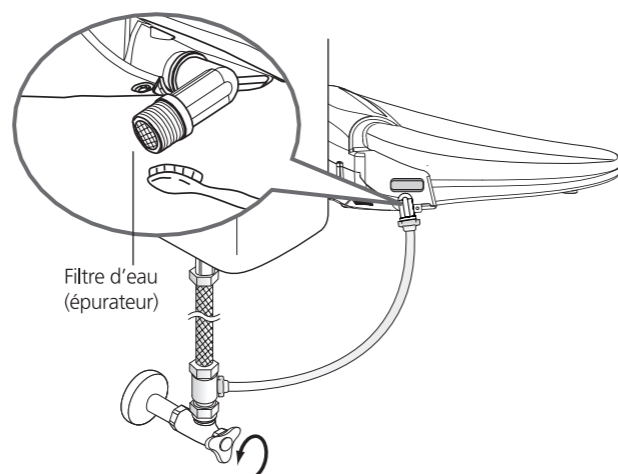
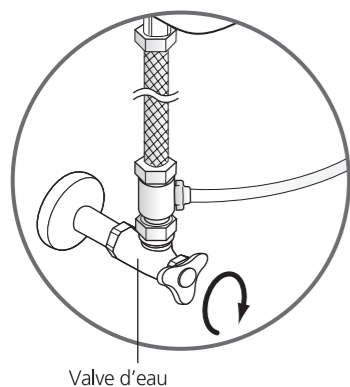
 Ne pas utiliser des produits tels que Oxy clean.

### Nettoyer la douchette

- Veuillez suivre les étapes suivantes sans vous asseoir sur le siège:
  - Sur la télécommande, appuyez et maintenez enfoncé le bouton « For Her Front » pendant trois (3) secondes et la douchette s'étendra.
  - Pour nettoyer, utilisez une brosse à poils (brosse à dents) ou un chiffon doux. Une fois terminé, appuyez et maintenez enfoncé le bouton « For Her Front », la douchette se rétractera à sa position de base et effectuera sa fonction d'auto-nettoyage.
  - Une fois ces étapes terminées, le siège peut de nouveau être utilisé.

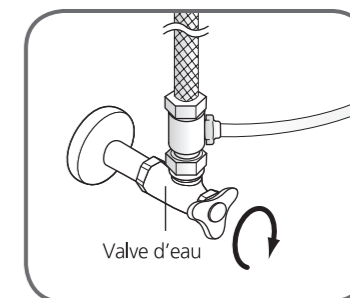
### Nettoyage du filtre d'eau (épurateur)

- 1) Fermez la vanne d'arrêt d'eau.
- 2) la chasse d'eau pour vider le réservoir d'eau.
- 3) Dévissez l'écrou de tuyau d'eau.
- 4) Nettoyer le filtre avec une petite brosse ou de l'eau
- 5) Re - visser l'écrou de tuyau d'eau.
- 6) Ouvrez le robinet d'arrêt d'eau.

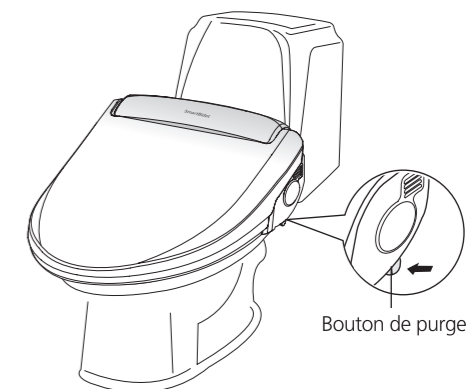


## 9 Purgation de l'eau du réservoir


- 1 Débranchez la prise de courant.
- 2 Fermez la valve en la tournant vers la droite.
- 3 Lorsque vous appuyez sur la manivelle de purge ou de détachement, qui sont sur le coté de l'appareil, l'eau dans le réservoir se purgera directement dans la cuvette des toilettes.



- Ce siège WC électronique a pris en compte la commodité de l'utilisateur, l'eau peut être facilement purgée sans avoir à séparer l'appareil du WC.



## 10 Maintenance d'hiver

- 1 Vérifiez que la prise de courant est correctement branchée.
- 2 Adjuster la  température de l'eau sur « bas » de sorte à ce qu'elle ne gèle pas.
- 3 Sile produit n'est pas utilisé pendant une période de temps prolongée, veuillez débrancher le cordon électrique et purger l'eau de l'appareil.
- 4 Veuillez ne pas garder cet appareil à l'extérieur durant l'hiver, la température pourrait l'endommager.



# 11 Dépannage

※ Veuillez vérifier les détails suivant avant de faire appel à l'aide.

Problèmes	Factors to check
L'eau ne pulvérise pas.	<ul style="list-style-type: none"> <li>• Vérifiez que le réservoir contient de l'eau ou pas.</li> <li>• Vérifiez que la valve d'eau est fermée.</li> <li>• Vérifiez que le filtre d'eau (épuration) ne soit pas bouché.</li> </ul>
L'appareil ne fonctionne pas.	<ul style="list-style-type: none"> <li>• Vérifiez que la prise de courant soit correctement branchée.</li> <li>• Vérifiez que l'unité principale soit allumée.</li> <li>• Vérifiez que vous êtes bien assis sur le siège de sorte à ce que le capteur de peau s'active correctement. (Faites attention à ce que votre corps touche le capteur de peau quand vous vous asseyez sur le siège.)</li> </ul>
De l'eau fuit	<ul style="list-style-type: none"> <li>• Après avoir vérifié que la plomberie soit proprement connectée, si de l'eau continue de fuir, veuillez faire appel au service clientèle pour le réparer.</li> </ul>
La pression d'eau est faible	<ul style="list-style-type: none"> <li>• Vérifiez que la pression d'eau n'est pas réglée sur « Bas ».</li> <li>• Vérifiez que le filtre d'eau (épuration) n'est pas bouché.</li> </ul>
L'eau, le siège et le séchoir ne sont pas chaud.	<ul style="list-style-type: none"> <li>• Vérifiez que la température de l'eau n'est pas réglée sur « bas ».</li> <li>• Vérifiez que la température du séchoir n'est pas réglée sur « bas ».</li> </ul>
Si la douchette ne sort pas	<ul style="list-style-type: none"> <li>• Vérifiez que le capteur de peau sur le siège touche la peau.</li> </ul>
Si l'eau est froide ou chaude	<ul style="list-style-type: none"> <li>• Ajustez la température sur (mid, high).</li> <li>• Si quelqu'un a déjà utilisé la fonction lavage, attendez environ 3 minutes avant de l'utiliser.</li> <li>• Asseyez-vous sur le siège pendant au moins 3 minutes, et ensuite utilisez-le.</li> </ul>
L'appareil tremble	<ul style="list-style-type: none"> <li>• Vissez l'unité fortement.</li> </ul>
Le séchoir ne marche pas	<ul style="list-style-type: none"> <li>• Vérifiez que le capteur de peau sur le siège entre en contact avec la peau.</li> </ul>

# 12 Spécifications

Désignation		SB-2000
Alimentation		120V / 60 Hz / 660W
Alimentation d'eau	Type	Branchement direct sur l'arrivée d'eau potable
	Pression d'usage	0.04 ~ 0.74MPa(0.4 ~ 7.5 kgf/cm <sup>2</sup> )
Moyen de douche	Pour Elle lavage Arrière	Max. 700cc ± 150cc / min.
	Pour Elle lavage Avant	Max. 700cc ± 150cc / min.
	Pour Lui lavage Arrière	Max. 700cc ± 150cc / min.
	Niveaux de pression d'eau	5 niveaux
	Niveaux de température d'eau	Température ambiante - Basse, Normal, Haute
	Chauffe-eau	600W
Siège chauffant	Dispositifs de sécurité	Fusible thermique, interrupteur thermique, interrupteur de débordement
	Températures du siège	Température ambiante - Basse, Normal, Haute
	Résistance thermique	55W
Fonction séchage	Dispositif de sécurité	Fusible thermique
	Températures d'air	Temperature ambiante ~ 131°F, 5 niveaux
	Séchoir	250W
Dispositif de sécurité		Fusible thermique, Bimétal
Température d'eau d'usage (à l'arrivée)		37.4 °F ~ 95°F (3°C ~ 35°C)
Température ambiante d'usage		37.4 °F ~ 104°F (3°C ~ 40°C)
Dimensions	Allongée	W : 18.7 pouces (475mm) L : 20.6 pouces (525mm) H : 7.13 pouces (181mm)
	Rond	W : 18.7 pouces (475mm) L : 19.4 pouces (493mm) H : 7.13 pouces (181mm)
Poids(lbs)	Poids net: 10.7 lbs (Poids brut: 15.4 lbs)	Poids net: 10.6 lbs (Poids brut: 15.4 lbs)

※ La Conception et le fonctionnement de ce produit peuvent être modifiées sans préavis pour l'amélioration de sa qualité.

## Information to the user

This equipment has been tested and found to comply with the limits for a Class B digital device, pursuant to part 15 of the FCC Rules. These limits are designed to provide reasonable protection against harmful interference in a residential installation. This equipment generates, uses and can radiate radio frequency energy and, if not installed and used in accordance with the instructions, may cause harmful interference to radio communications. However, there is no guarantee that interference will not occur in a particular installation. If this equipment does cause harmful interference to radio or television reception, which can be determined by turning the equipment off and on, the user is encouraged to try to correct the interference by one more of the following measures:

- Reorient or relocate the receiving antenna.
- Increase the distance between the equipment and receiver.
- Connect the equipment into an outlet on a circuit different from that to which the receiver is connected.
- Consult the dealer or an experienced radio/TV technician for help.

### ● WARNING

Any changes or modifications not expressly approved by the manufacturer could void the user authority to operate the equipment and limited warranty.

## Warranty

General Limited Warranty Covered **Hitrons Solutions Inc** will warrant to the original retail buyer only, which falls in normal use and within the applicable periods specified below.

**Hitrons Solutions Inc** replacements will be warranted to the original purchaser of the products only.

The Parts Warranty If the parts fail within Twelve(12)months after original purchase from authorized retailer, following the installation manual and normal operation, **Hitrons Solutions Inc** will furnish replacement part(s) after warranty registration.

### ● This Warranty does not cover the following

1. Defects and/or malfunctions from failure to properly install, operate and/or maintain the unit in accordance with the installation manual.
2. Damage from abuse, fire, flood, freeze, and any other acts of Nature.
3. Damage resulting from unauthorized alterations, attachments and/or repairs.
4. If the product was not installed properly.
5. Damage to the unit by animals, mice or insects.
6. Damage caused by excess moisture or from water clogging the bathroom or restroom.
7. Damage from not being installed in accordance with all applicable local codes, ordinances and good trade practices.
8. Color fading due to use in wrong environment.
9. Damage from chemicals.
10. The warranty will not be covered without providing the date of purchase with original receipt.

### WARRANTY REGISTRATION

To ensure your warranty protection, you must complete and return this registration with a copy of the original sales receipt to Hitrons Solutions Inc within 15 days after date of purchase to validate your warranty.

Model \_\_\_\_\_ \*Serial Number # \_\_\_\_\_

Purchaser \_\_\_\_\_  
\_\_\_\_\_  
\_\_\_\_\_

Company \_\_\_\_\_

Address \_\_\_\_\_

City \_\_\_\_\_ Country \_\_\_\_\_

Phone \_\_\_\_\_ Fax \_\_\_\_\_ E-mail \_\_\_\_\_

Dealer (Company) \_\_\_\_\_  
\_\_\_\_\_

Dealer Code \_\_\_\_\_

Address \_\_\_\_\_  
\_\_\_\_\_

PLEASE  
SEND  
TO



Attn: Warranty Dept.  
Hitrons Solutions Inc.  
cs@hitronsinc.com

### Service Department

Hitrons Solutions Inc.  
Inquiries and Support  
Email : cs@hitronsinc.com  
Phone : 1-800-515-3430

\*The serial number is located in the lid of the unit.

Memo

Memo





# SmartBidet

Electronic Bidet Seat

## **Service Department**

Hitrons Solutions Inc.

Inquiries and Support

Email : [cs@hitronsinc.com](mailto:cs@hitronsinc.com)

---

88 Portland Avenue, Suite M,  
Bergenfield, NJ 07621

Phone : 1-800-515-3430