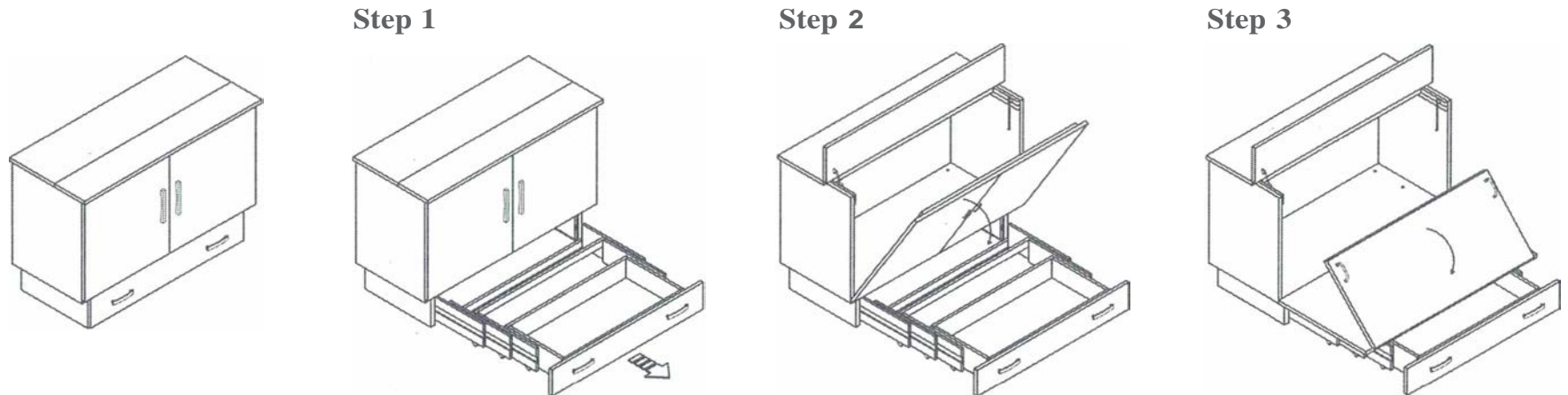


IMPORTANT! - HOW TO USE:



Step 1 - Pull the drawer from the center, until it fully extends, this supports the fold out door.

Step 2 - Open the flip top, unlatch the side bolts on either side, and unlatch the security chain.

Stand to the side and lower the front panel onto the drawer base.

Step 3 - Open the fold out door on the drawer base.

Step 4 - Pull out the mattress.

CAUTION: DO NOT ALLOW YOUNG CHILDREN TO OPERATE THE CABINET BED

Always use the safety latch chain and be sure the inner side bolts are fastened when the cabinet is in the closed position