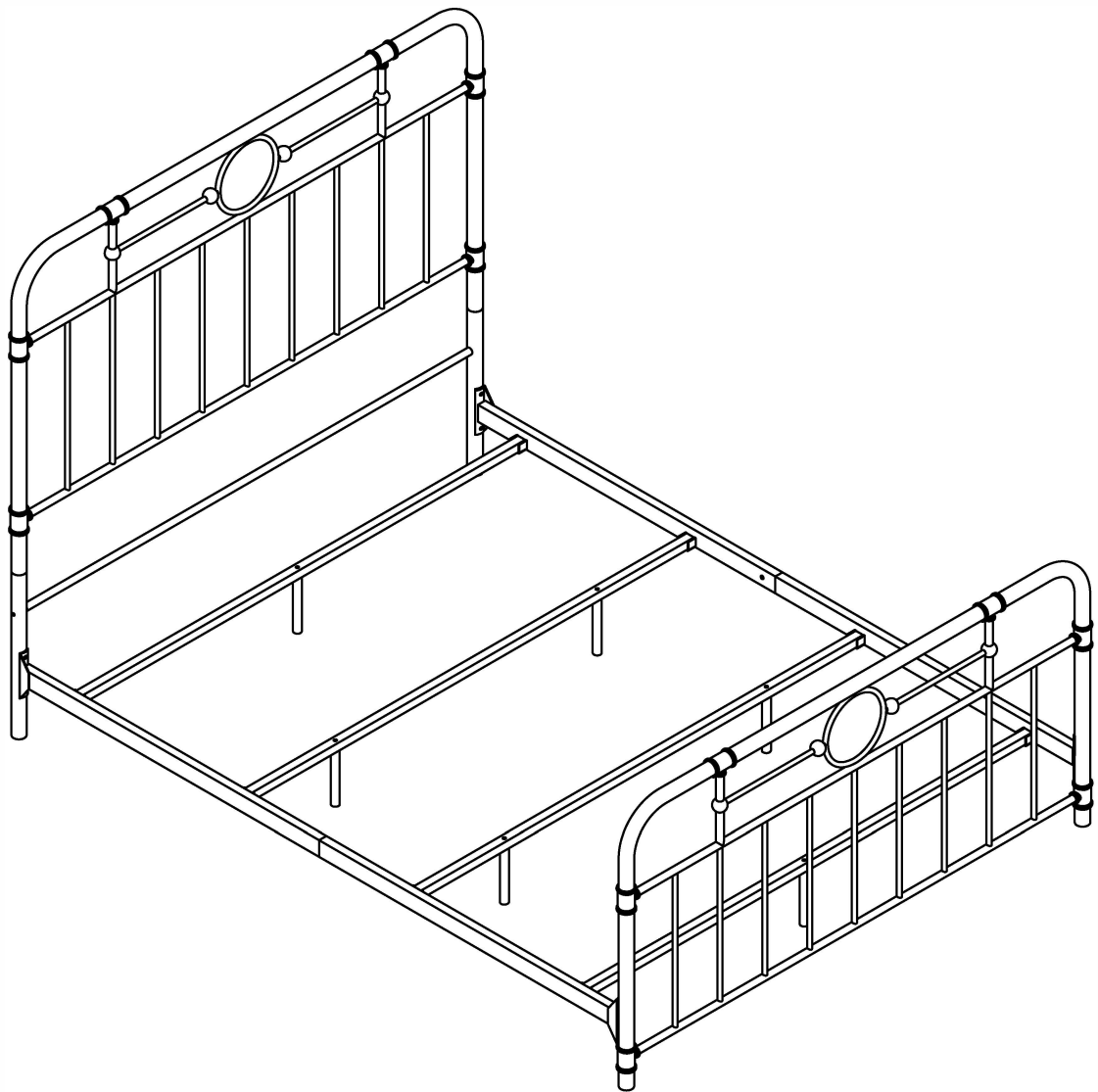


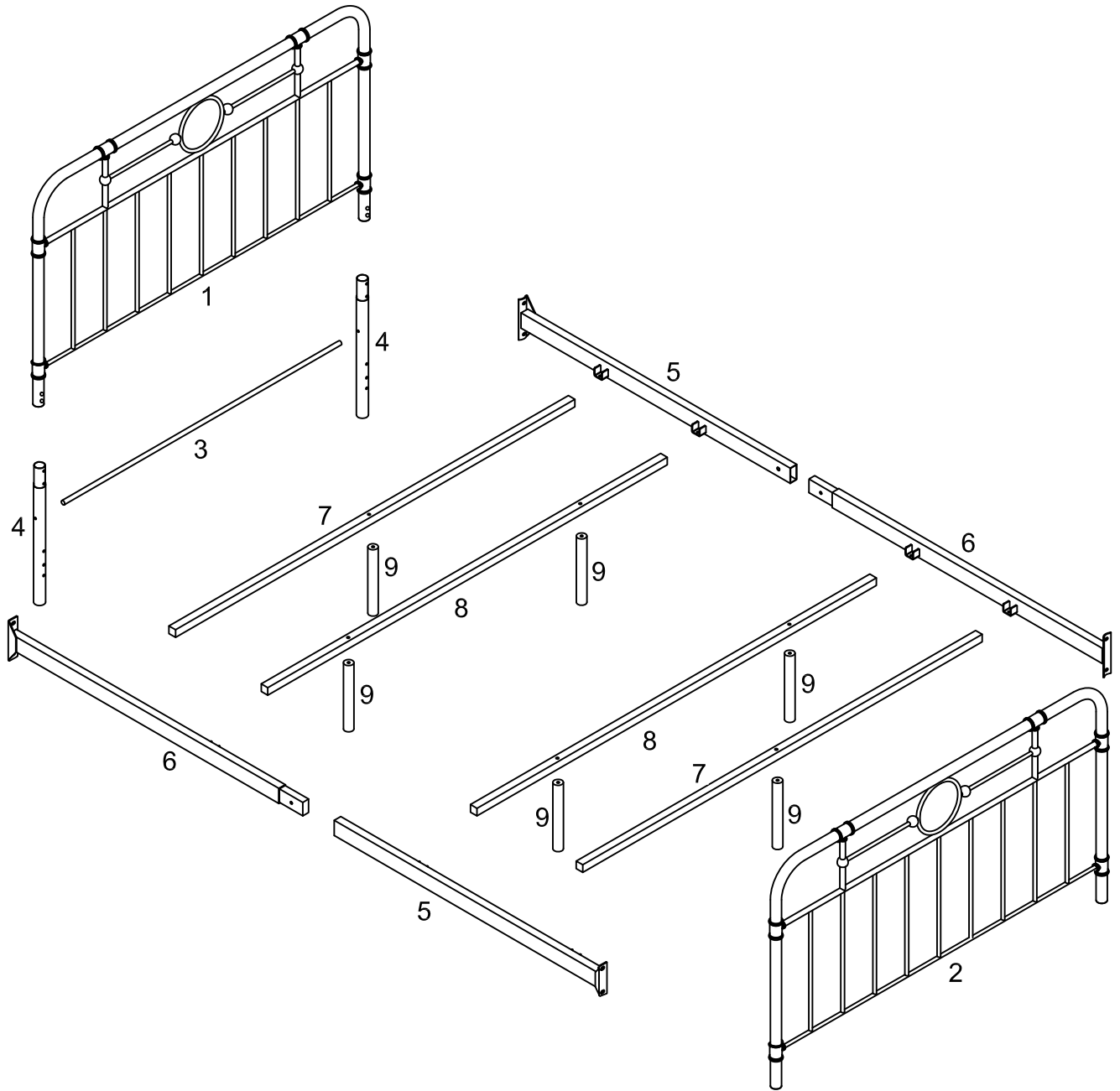
Item#: BQMP  
Assembly Instructions







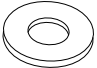

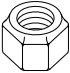

*Please visit our website for the most current instructions, assembly tips, report damage, or request parts. [www.walkeredison.com](http://www.walkeredison.com)*

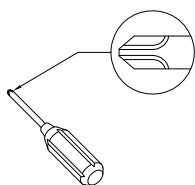
Revised 01/2018

# Parts List



# Hardware List

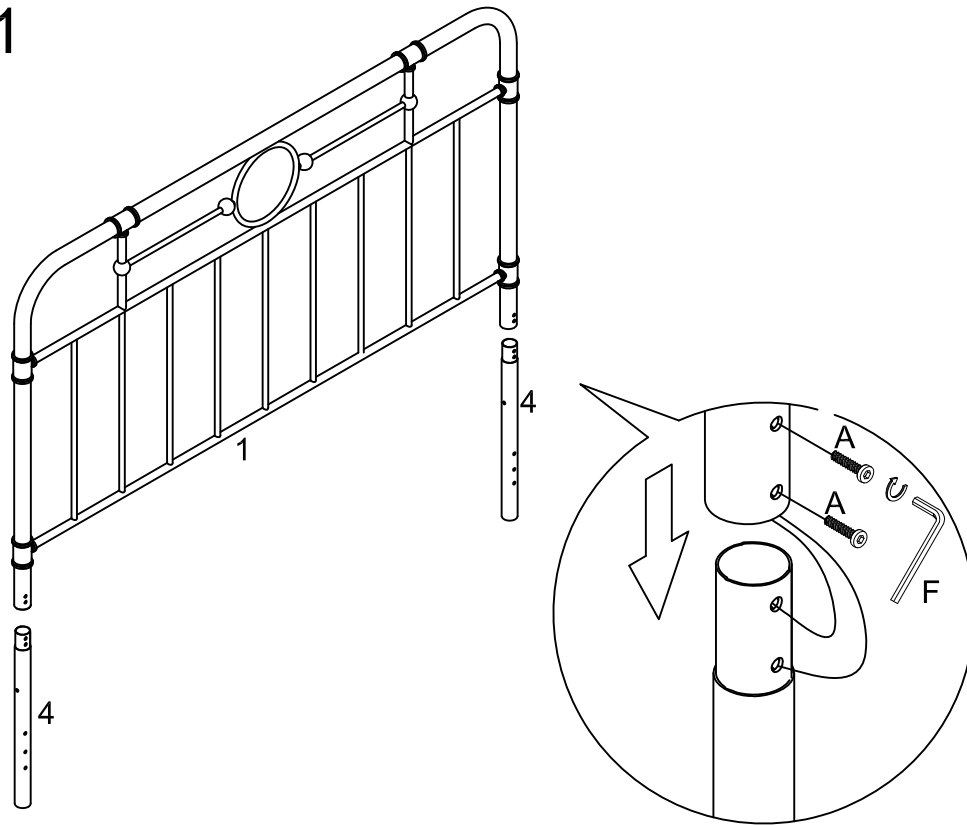
A		1/4"x1/2"	Bolt	4 pcs
B		1/4"x3/4"	Bolt	18 pcs
C		1/4"x1-3/4"	Bolt	6 pcs
D		1/4"x2-1/4"	Bolt	6 pcs
E		16MM	Washer	28 pcs
F		4x4M	Wrench	1 pc
G		1/4"	Nut	4 pcs
H		11.3mm	Wrench	1 pc



Philips head screwdriver required for assembly  
(not included)

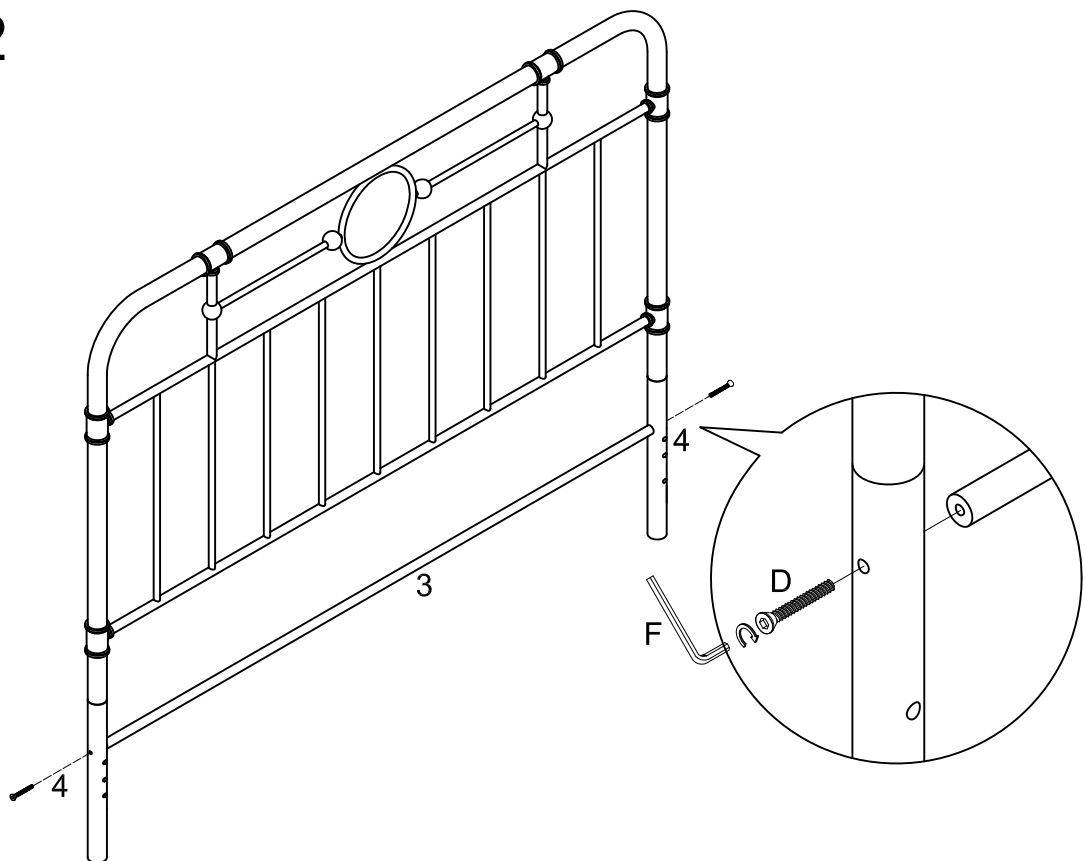
*The hardware quantities listed above are required for proper assembly.  
Some extra hardware may also have been included.*

# Step 1



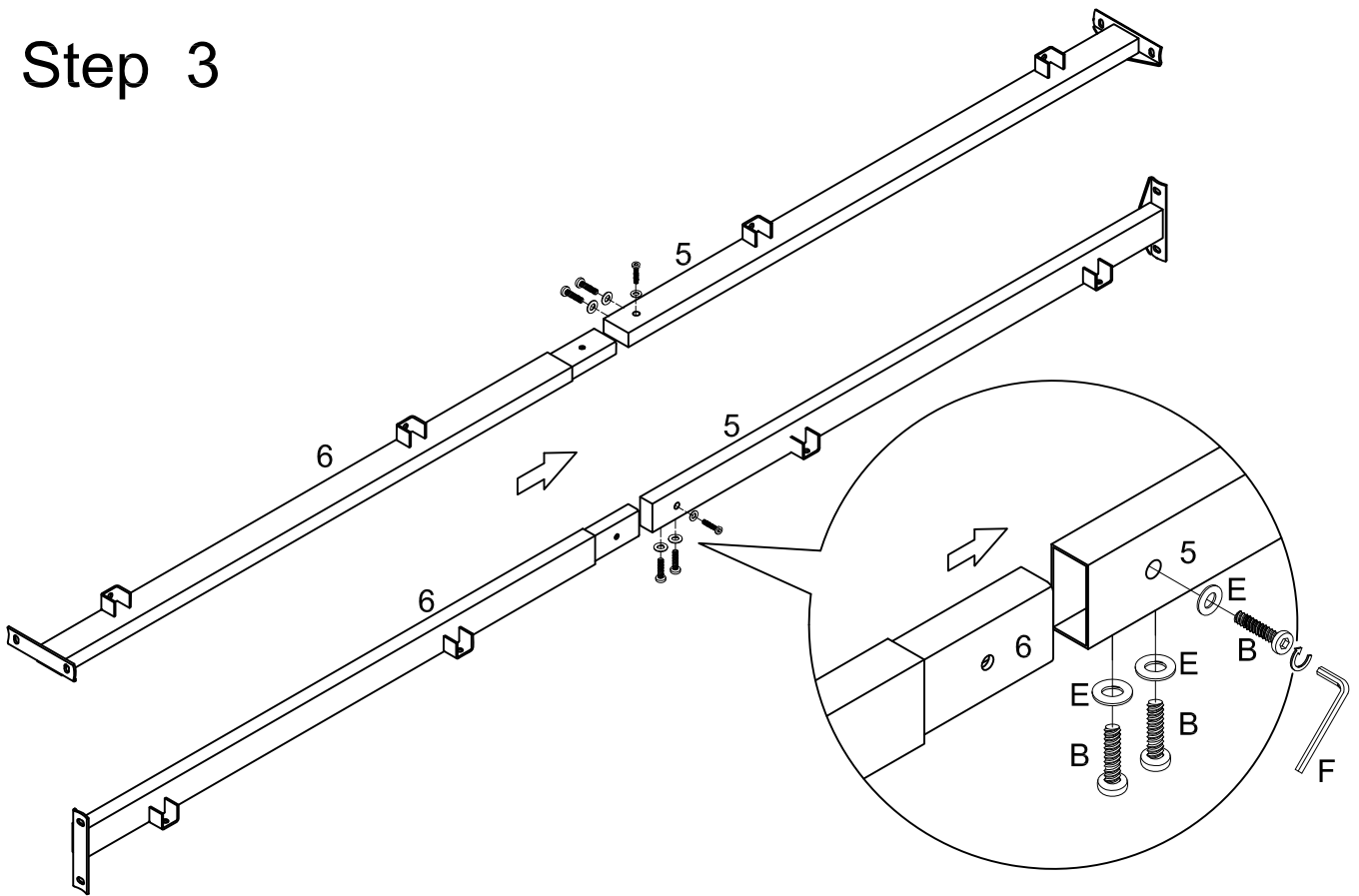
Join headboard (1) to legs (4) as shown in the diagram. Secure using bolts (A).

# Step 2



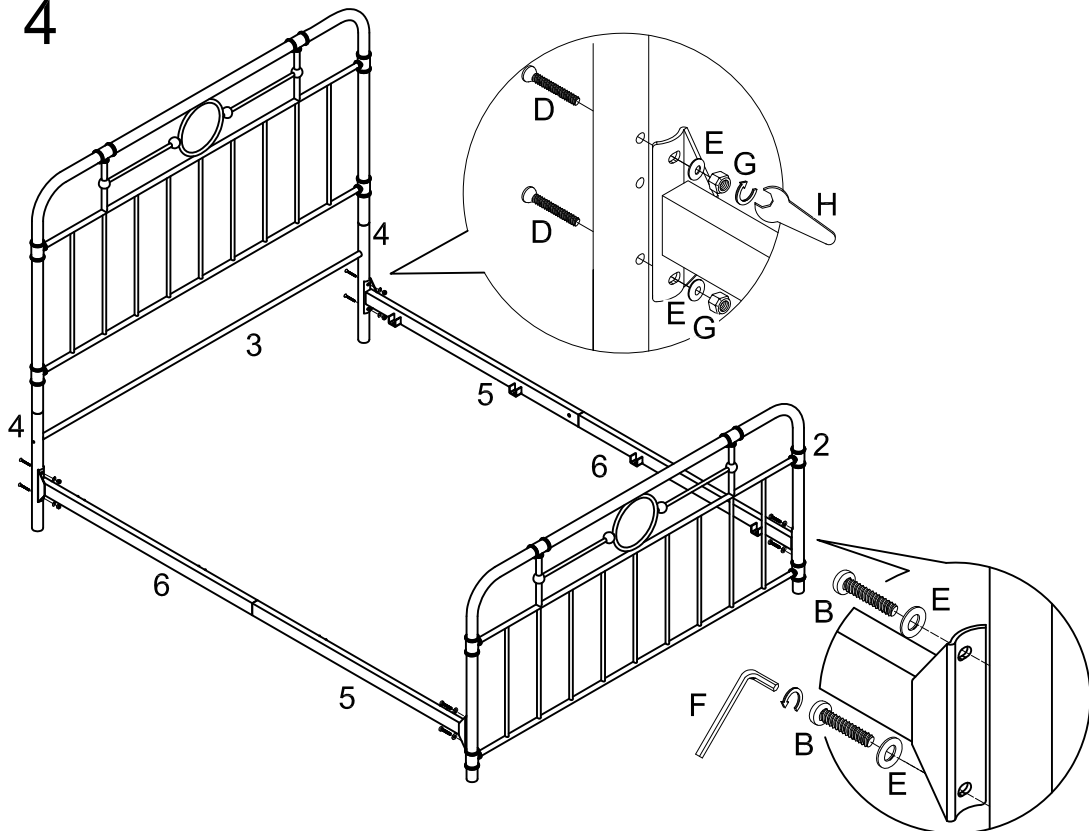
Attach cross bar (3) using bolts (D) as shown.

# Step 3



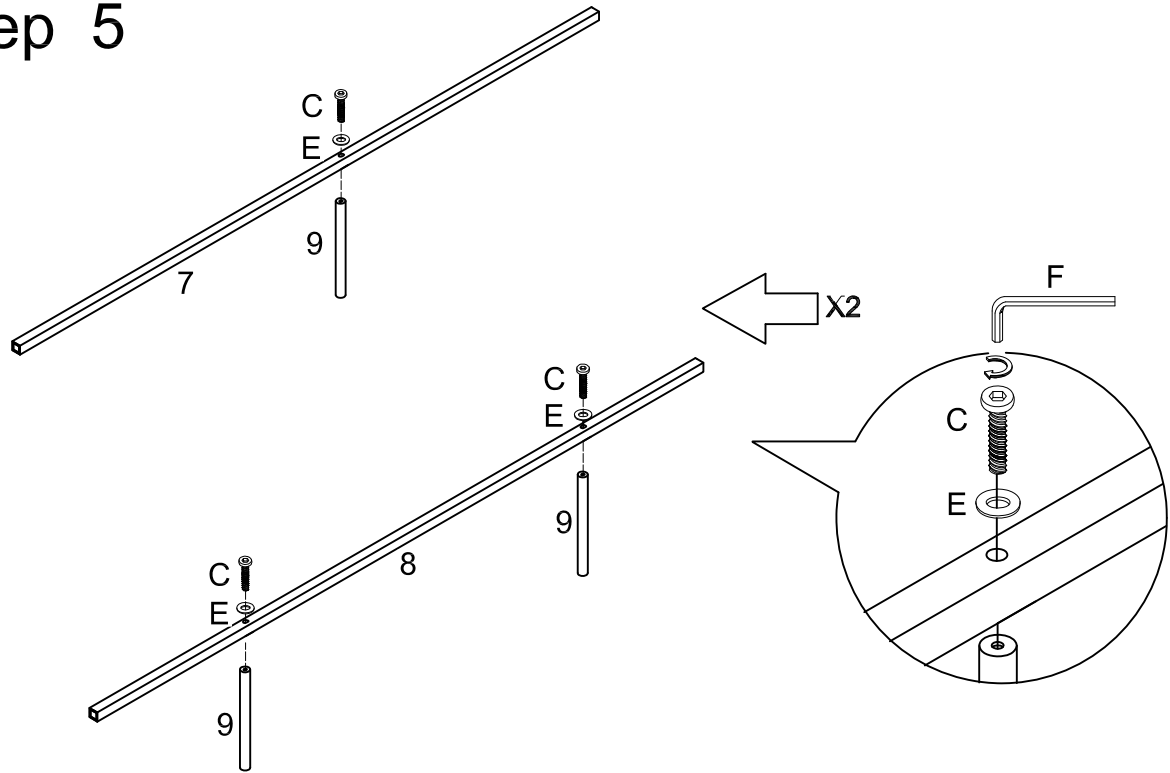
Secure parts (5) and (6) together using bolts (B) and washers (E) as shown.

# Step 4



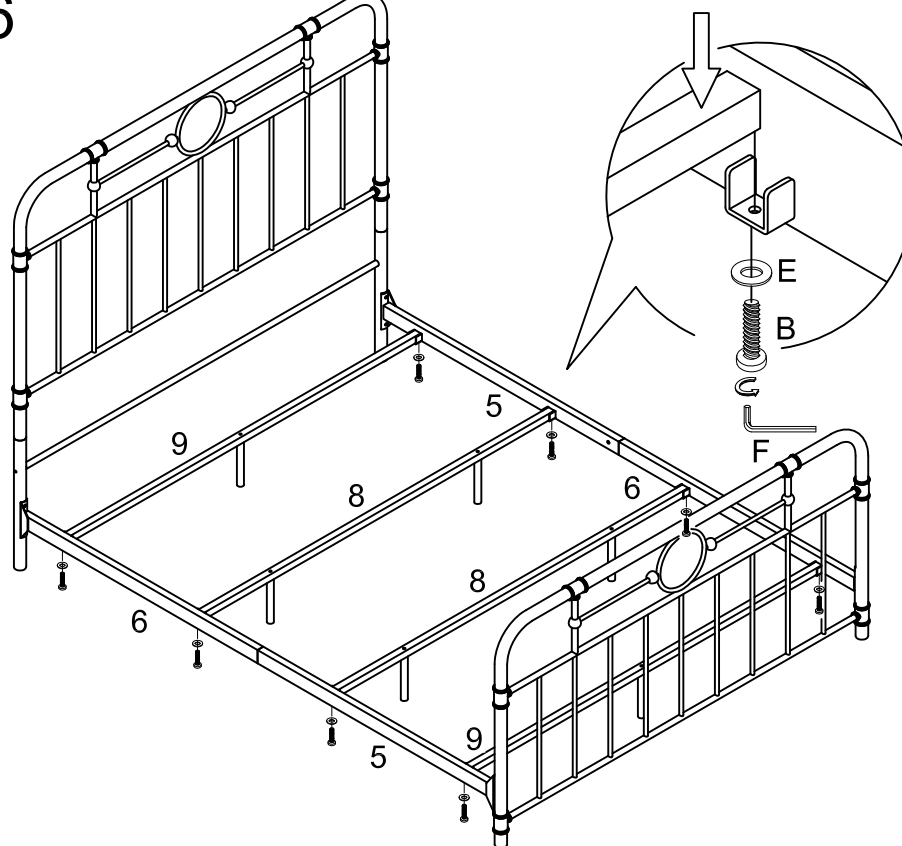
Attach assembled supports (5,6) to legs (4) using bolts (D) ,washers (E) and nuts (G). Attach footboard (2) using bolts (B) and washers (E) as shown.

## Step 5



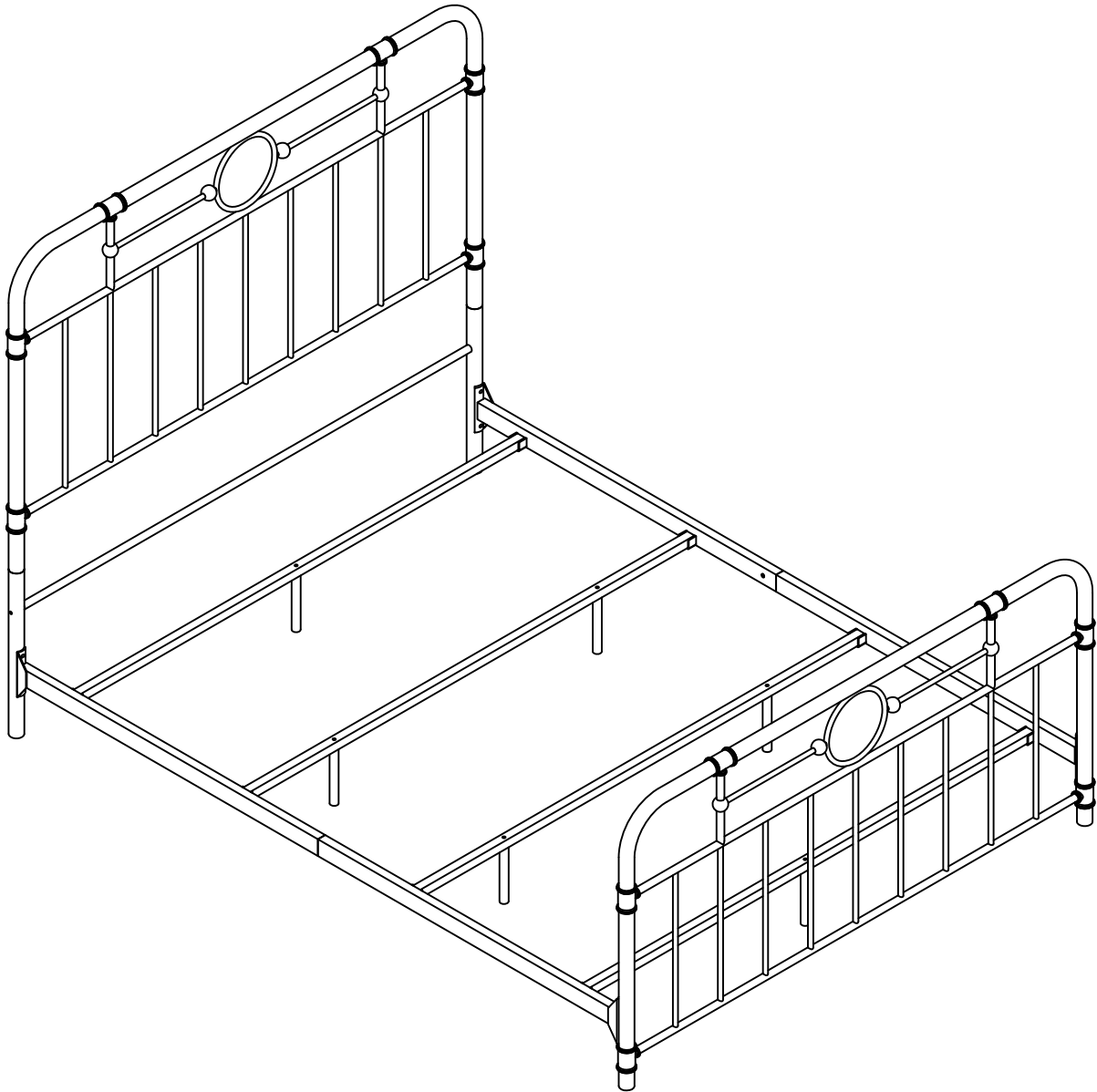
Secure legs (9) to mattress supports (7,8) using bolts (C) and washers (E).

## Step 6



Place mattress supports into frame assembly and secure using bolts (B) and washers (E).

# Step 7



## Final Assembly