

# GAS FREESTANDING RANGE

EI30GF45QS

Featuring IQ-Touch™ Electronic Controls



## PRODUCT DIMENSIONS

Height (Adjustable)	36-1/8" - 36-5/8"
Width	29-7/8"
Depth (including handle)	28-5/16"

## MORE EASY-TO-USE FEATURES

### MIN-2-MAX® GAS BURNER

Designed with a dual-flame sealed burner, this cooktop provides exceptional power and precision to unlock new flavors.

### A LUXURY-GLIDE® OVEN RACK

With a ball bearing system, the oven rack is so smooth it extends effortlessly so you can more easily manage the transfer of all dishes, even heavy ones.

### CONTINUOUS GAS GRATES

Designed for cooking multiple dishes at a time, these grates allow easy movement of even the heaviest pots and pans from burner to burner — without lifting. Plus, they create a streamlined look.

### DEEP-WELL DESIGN

Keeps spills contained for easy cleanup.

### WARMER DRAWER

Maintain the perfect temperature of your food until serving time.

### PLATINUM STAR® LIMITED WARRANTY

Our exclusive limited warranty that includes 3-year coverage on parts and one year on labor<sup>2</sup>.

### CONVECTION CONVERSION

Automatically adjusts standard baking temperatures to convection temperatures, for perfect, consistent results.

### 6 COOKING MODES

Bake, Broil, Convection Bake, Convection Roast, Keep Warm and Slow Cook.

### KEEP WARM SETTING

Maintain food at the perfect serving temperature with this setting — it's a great feature when you're entertaining.

### A.D.A. COMPLIANT

When properly installed, this model is A.D.A.-qualified based on the United States Access Board's A.D.A./A.B.A. Accessibility Guidelines and the Department of Justice's 2010 A.D.A. Standards for Accessible Design.

Available in:



Stainless  
(S)

<sup>1</sup>For best results, use large cookware on your power burner.

<sup>2</sup>Eligibility based on product registration with Electrolux North America within 60 days of purchase. Products must have been purchased on or after July 1, 2013. Coverage includes material parts for 3 years and labor for 1 year.

## SIGNATURE FEATURES



### FRONT CONTROL DESIGN

Effortlessly upgrade your back-control range to built-in style. This range will easily replace traditional 30" freestanding ranges.



### PERFECT TASTE™ CONVECTION

For consistently delicious taste and texture, home chefs rely on our convection heat, which circulates air evenly for better baking.



### OVAL BURNER + INCLUDED GRIDDLE

Allows you to cook with larger pots and pans or use the complementary griddle to achieve a variety of perfect flavors!



### PERFECT TASTE™ TEMP PROBE

The Perfect Taste™ Temp Probe lets you cook each dish to perfection. It does more than measure temperature — it alerts you when food has reached the desired temperature and automatically adjusts to the Keep Warm setting, so you never overcook your food and deliver perfect results every time.

## BURNER

Min-2-Max® Dual Flame Sealed Burner	750 - 18,000
Sealed Power Burner	14,200
Sealed Precision Burner	9,500
Sealed Precision Burner	5,000
Center Burner	10,000

## BTU

# GAS FREESTANDING RANGE

EI30GF45QS



## 30" GAS FREESTANDING RANGE

### CONTROL PANEL FEATURES

IQ-Touch™ Electronic Oven Control	Yes
Professional-Grade Burner Controls	Yes
Glass Front Display	Yes
Electronic Clock & Timer	Yes
Temperature Display	Yes
Automatic Oven (Delay, Cook & Off)	Yes

### COOKTOP FEATURES

Sealed Power Burner – 18,000 BTU	1
Sealed Power Burner – 14,200 BTU	1
Sealed Precision Burner – 9,500 BTU	1
Sealed Precision Burner – 5,000 BTU	1
Center Oval Burner – 10,000 BTU	1
Continuous Grates with Deep-Well Top	Yes
Seamless Cooktop	Yes
Electric Pilotless Ignition	Yes

### OVEN FEATURES

Capacity	4.5 Cu. Ft.
Hidden Bake Burner	
Bake Burner – 18,000 BTU	Yes
Broil Burner – 13,500 BTU	Yes
Convection Burner – 350 Watts	Yes
Cobalt Blue Interior	Yes
Self-Clean Options with Door Lock	Yes
Perfect Taste™ Convection	Yes
Cooking Modes – Bake, Broil, Convection Bake, Convection Roast, Keep Warm, Slow Cook	6
Baking Options – Temperature Probe, Delay Bake, Convection Convert	3
Oven Light	Yes
Luxury-Glide® Racks	1
Conventional Racks	1
Convection Roasting Rack	1

### ADDITIONAL FEATURES

Luxury-Hold™ Oven Door	
Extra-Large Glass Window	Yes
Warmer Drawer	Yes
Adjustable Leveling Legs	Yes
Sabbath Mode (Star-K® Certified)	Yes
A.D.A. Compliant*	Yes

### ACCESSORIES

Griddle – PN # 318251608	Included
LP Gas Conversion Kit	Included
Meat Probe	Included
Stainless Steel Backguard – PN # A02535501	Optional

### SPECIFICATIONS

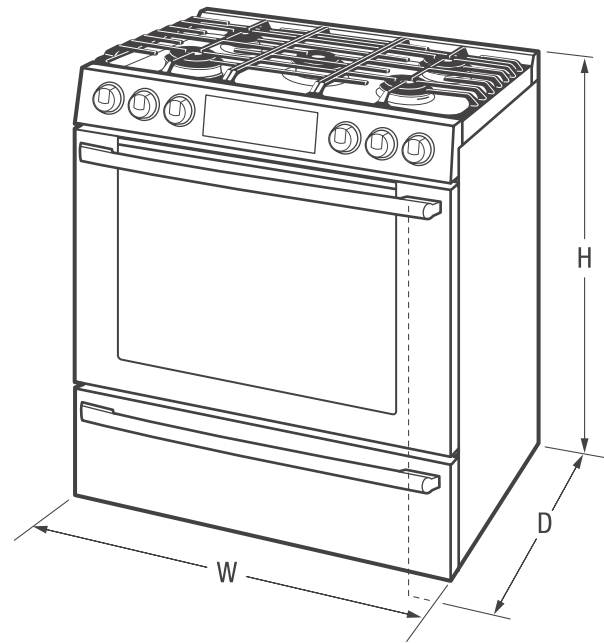
Color – Stainless Steel	S
Gas Inlet/Power Cord Location	Right Bottom Rear
Voltage Rating	120V 60Hz 15A
Connected Load (kW Rating) @ 120 Volts <sup>2</sup>	1.80
Amps @ 120 Volts	15
Shipping Weight (Approx.)	285 Lbs.

\*When properly installed, this model is A.D.A.-qualified based on the United States Access Board's A.D.A./A.B.A. Accessibility Guidelines and the Department of Justice's 2010 A.D.A. Standards for Accessible Design.

<sup>2</sup>For use on adequately wired 120V, dedicated circuit having 2-wire service with a separate ground wire. Appliance must be grounded for safe operation.

NOTE: Always consult local and national electric and gas codes. Refer to Product Installation Guide for detailed installation instructions on the web at [electroluxappliances.com](http://electroluxappliances.com).

Specifications subject to change.



### PRODUCT DIMENSIONS

Height (Adjustable)	36-1/8" - 36-5/8"
Width	29-7/8"
Depth (including handle) (with 90° Door Open)	28-5/16" 46"

### OVEN CAVITY DIMENSIONS

Height	17-1/2"
Width	24-1/8"
Depth	18-3/4"

## Electrolux Major Appliances, N.A.

USA • 10200 David Taylor Drive • Charlotte, NC 28262 • 1-877-4electrolux (1-877-435-3287) • [electroluxappliances.com](http://electroluxappliances.com)  
 CANADA • 5855 Terry Fox Way • Mississauga, ON L5V 3E4 • 1-800-265-8352 • [electroluxappliances.ca](http://electroluxappliances.ca)

EI30GF45Q 10/15

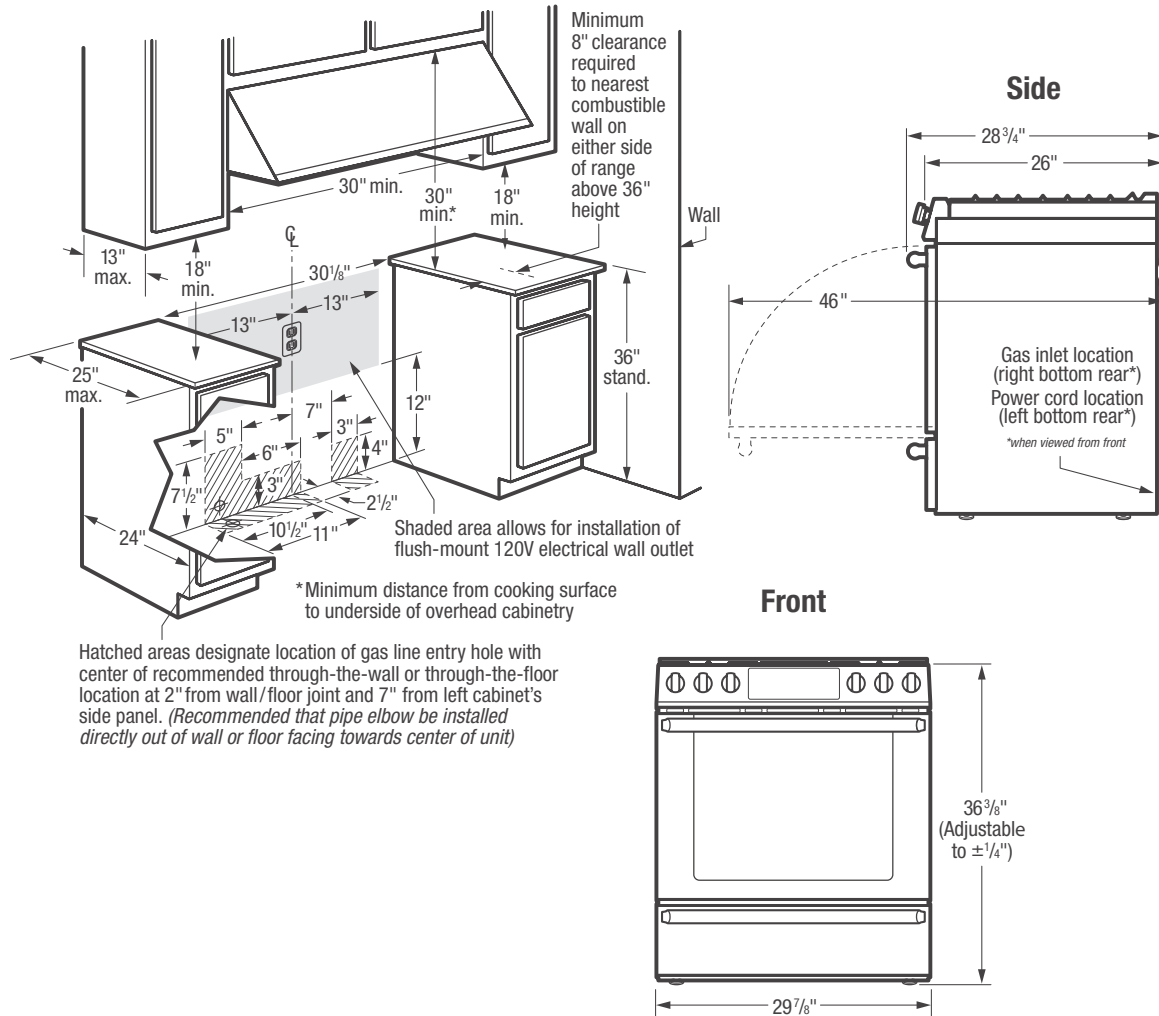
© 2015 Electrolux Home Products, Inc.



High standards of quality at Electrolux Home Products, Inc. mean we are constantly working to improve our products. We reserve the right to change specifications or discontinue models without notice.

# GAS FREESTANDING RANGE

EI30GF45QS



## 30" Gas Freestanding Range Specifications

- Product Weight – 260 Lbs.
- Voltage Rating – 120V / 60 Hz / 15 Amps
- Connected Load (kW Rating) @ 120 Volts = 1.8 kW  
(For use on adequately wired 120V, dedicated circuit having 2-wire service with a separate ground wire. Appliance must be grounded for safe operation.)
- Amps @ 120 Volts = 15 Amps
- Always consult local and national electric and gas codes.
- Make sure wall coverings around range can withstand heat generated by range.
- Linoleum or any other synthetic floor covering located beneath range, must be capable of withstanding minimum heat of 90° F above room temperature without shrinking, warping or discoloring. Insulating pad or 1/4"-thick plywood required between range and a carpeted floor.
- Do not obstruct flow of combustion air at oven vent nor around base or beneath lower front panel of range. Range requires fresh air for proper burner combustion.
- Do not install range beneath any downward-blowing, overhead vent hood or air curtain.
- Range ships with 3/4" factory regulator.

- LP Gas conversion kit supplied.
- Floor beneath range MUST be solid and level.
- Overhead cabinetry should not exceed a 13" maximum depth.
- Absolute minimum horizontal distance between overhead cabinets installed to either side of appliance must be no less than maximum width of appliance.
- Range can be installed flush to wall with 0" minimum rear clearance.
- Minimum 8" clearance required from edge of rangetop to nearest combustible wall on either side of range above 36" height.
- To reduce risk of fire when using overhead cabinetry, install range hood that projects horizontally a recommended minimum of 5" beyond bottom of cabinets.
- Follow all dimension requirements provided to prevent property damage, potential fire hazard, and incorrect countertop and cabinet cuts.

**Note:** For planning purposes only. Refer to Product Installation Guide on the web at [electroluxappliances.com](http://electroluxappliances.com) for detailed instructions.

### Optional Accessories

- Stainless Steel Backguard – (PN # A02535501).

## Electrolux Major Appliances, N.A.

USA • 10200 David Taylor Drive • Charlotte, NC 28262 • 1-877-4electrolux (1-877-435-3287) • [electroluxappliances.com](http://electroluxappliances.com)  
CANADA • 5855 Terry Fox Way • Mississauga, ON L5V 3E4 • 1-800-265-8352 • [electroluxappliances.ca](http://electroluxappliances.ca)

EI30GF45Q 10/15

© 2015 Electrolux Home Products, Inc.



High standards of quality at Electrolux Home Products, Inc. mean we are constantly working to improve our products. We reserve the right to change specifications or discontinue models without notice.