

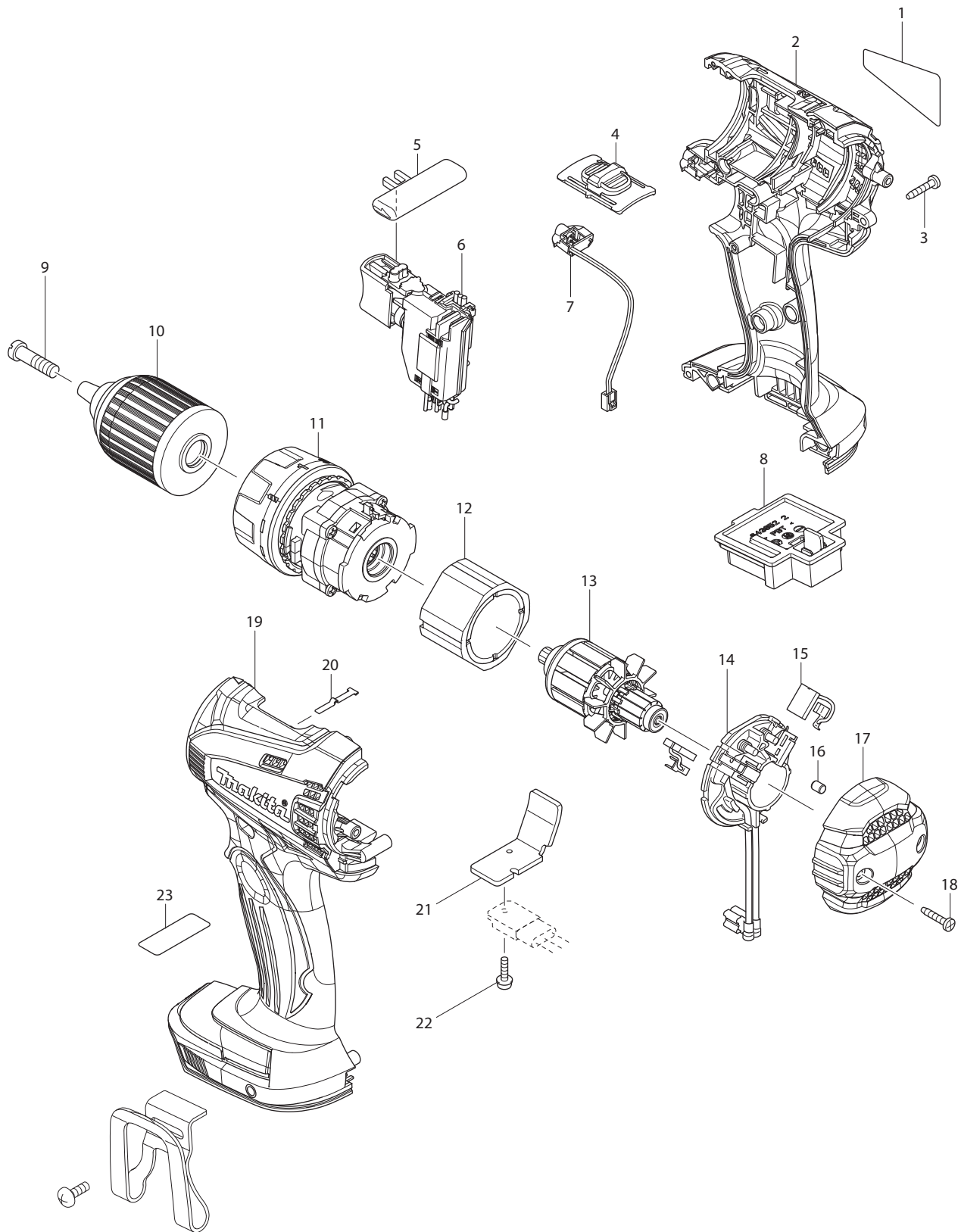
Model XDT04, XDT04RW, XDT04Z Parts List

A = Standard Equipment

O = Circuit Diagram

Item#	Part#	Description	Q'ty	Unit
001	187117-7	HOUSING SET	1	PC. (XDT04, XDT04Z)
001	187118-5	HOUSING SET		(XDT04RW)
	C10 263005-3	RUBBER PIN 6	2	PC.
	D10	INC. 42		
002	815D21-1	XDT04 NAME PLATE	1	
003	266429-2	TAPPING SCREW 3X16	8	PC.
004	423423-9	SPONGE B	1	PC.
005	423422-1	SPONGE A	1	PC.
006	419041-9	F/R CHANGE LEVER	1	PC.
007	650723-6	SWITCH TG573FSB-2	1	
008	652045-0	+PAN HEAD SCREW M3.5X5	2	PC.
009	643852-2	TERMINAL	1	PC.
010	231951-8	RING SPRING 11	1	PC.
011	267085-1	FLAT WASHER 12	1	PC.
012	233005-7	COMPRESSION SPRING 13	1	PC.
013	326068-1	BIT SLEEVE	1	PC.
014	424429-0	BUMPER	1	PC.
015	452837-5	HAMMER CASE COVER	1	PC.
016	140946-9	HAMMER CASE COMPLETE	1	PC.
017	261151-6	NYLON WASHER 19	1	PC.
018	216001-0	STEEL BALL 3.5	2	PC.
019	326069-9	ANVIL M	1	PC.
020	326054-2	HAMMER	1	PC.
021	216001-0	STEEL BALL 3.5	24	PC.
022	267175-0	FLAT WASHER 24	1	PC.
023	233430-2	COMPRESSION SPRING 24	1	PC.
024	346466-3	PLATE	1	PC.
025	216011-7	STEEL BALL 5.6	2	PC.
026	227233-4	SPUR GEAR 22	2	PC.
027	326066-5	SPINDLE	1	PC.
028	256253-1	PIN 5	2	PC.
029	253362-7	THIN WASHER 12	1	PC.
030	227150-8	INTERNAL GEAR 51	1	PC.
032	213507-9	O RING 40	1	PC.
033	158145-9	BEARING BOX COMPLETE	1	PC.
034	638396-5	YOKE UNIT	1	PC.
035	619247-1	ARMATURE	1	PC.
036	CB440	CARBON BRUSH CB-440 (195021-6)	1	SET
037	638387-6	BRUSH HOLDER COMPLETE	1	PC.
038	263032-0	RUBBER PIN 4	2	PC.
039	452832-5	REAR COVER	1	PC. (XDT04, XDT04Z)
	452833-3	REAR COVER		(XDT04RW)
040	266429-2	TAPPING SCREW 3X16	2	PC.
041	620053-9	LED CIRCUIT	1	PC.
042	187117-7	HOUSING SET	1	PC. (XDT04, XDT04Z)
	187118-5	HOUSING SET		(XDT04RW)
	C10 263005-3	RUBBER PIN 6	2	PC.
	D10	INC. 1		
044	424430-5	SEAL	1	PC.
A01	266622-8	+ TRUSS HEAD SCREW M4X12	1	PC.

A02	346449-3	HOOK	1 PC.
A03	450128-8	BATTERY COVER	1 PC. (XDT04, XDT04RW)
A04	***DC18RC	DC18RC FAST CHARGER	1 PC. (XDT04, XDT04RW)
A05	BL1830	BATTERY BL1830 SET	2 SET (XDT04)
	BL1820	BATTERY BL1820 SET	2 SET (XDT04RW)
A06	142146-7	PLASTIC CASE COMPLETE	1 PC. (XDT04)
	141856-3	PLASTIC CASE COMPLETE	1 PC. (XDT04RW)
E01	802S38-3	CAUTION LABEL	1



Model XFD01,XFD01Z,XFD01CW Parts List

A = Standard Equipment

O= Circuit Diagram

Item#	Part#	Description	Q'ty	Unit	
001	815C17-6	XFD01 NAME PLATE	1		
002	188932-2	HOUSING SET	1	PC. (LXFD01, LXFD01Z)	
002	188931-4	HOUSING SET	1	PC. (LXFD01CW)	
	D10	INC. 19			
003	266429-2	TAPPING SCREW 3X16	9	PC.	
004	126289-3	SPEED CHANGE LEVER ASSEMBLY	1	PC.	
	C10	233438-6	COMPRESSION SPRING 4	2	PC.
005	419250-0	F/R CHANGE LEVER	1	PC.	
006-1	650731-7	SWITCH C3HZ-1A-TLMS	1		
007	620012-3	LED CIRCUIT	1	PC.	
008	643852-2	TERMINAL	1	PC.	
009	251468-5	- FLAT HEAD SCREW M6X22	1	PC.	
010	766008-1	KEYLESS DRILL CHUCK 13	1	PC.	
011	125831-7	GEAR ASSEMBLY	1	PC.	
012	638425-4	YOKE UNIT	1	PC.	
013	619263-3	ARMATURE	1	PC.	
014	638494-5	BRUSH HOLDER COMPLETE	1	PC.	
015	195021-6	CARBON BRUSH CB-440	1	SET	
016	263032-0	RUBBER PIN 4	2	PC.	
017	452205-2	REAR COVER	1	PC. (LXFD01, LXFD01Z)	
017	452202-8	REAR COVER	1	PC. (LXFD01CW)	
018	266429-2	TAPPING SCREW 3X16	2	PC.	
019	188932-2	HOUSING SET	1	PC. (LXFD01, LXFD01Z)	
019	188931-4	HOUSING SET	1	PC. (LXFD01CW)	
	D10	INC. 2			
020	232182-2	LEAF SPRING	1	PC.	
021	689170-4	HEAT SINK	1	PC.	
022	911013-5	PAN HEAD SCREW M3X10	1	PC.	
023	802P77-5	CAUTION LABEL	1		
A01	251314-2	+ SCREW M4X12	1	PC.	
A02	346449-3	HOOK	1	PC.	
A03	784637-8	+ - BIT 2-45	1	PC.	
A04	141856-3	PLASTIC CARRYING CASE COMPLETE	1	PC. (LXFD01, LXFD01CW)	
	C10	162302-3	LATCH	2	PC. (LXFD01, LXFD01CW)
	C20	324207-7	SHAFT	1	PC. (LXFD01, LXFD01CW)
	C30	451749-9	HANDLE	1	PC. (LXFD01, LXFD01CW)
A05	450128-8	BATTERY COVER	1	PC. (LXFD01, LXFD01CW)	
A06	***DC18RC	DC18RC FAST CHARGER	1	PC. (LXFD01, LXFD01CW)	
A07	BL1830	BATTERY BL1830 SET	2	SET (LXFD01)	
A07	BL1815	BATTERY BL1815 SET	2	SET (LXFD01CW)	