

Features

- Voice control allows you to operate your faucet and dispense measured amounts of water hands-free.
- Works with Amazon Alexa and Google Assistant.
- Innovative sensor monitors water usage and leaks and displays that information on the KOHLER® Konnect™ app.
- Response® technology provides reliable touchless on/off operation through a state-of-the-art motion sensor that responds in 20 milliseconds.
- Precision activation window helps prevent false activations.
- LED light indicates faucet is operational and ready to go.
- Single lever handle makes adjusting water temperature easy.
- High-arch spout offers superior clearance for filling pots and cleaning.
- Two-function pull-down sprayhead with touch control allows you to switch from stream to Sweep® spray.
- Sweep® spray features specially angled nozzles that form a wide, powerful blade of water to sweep your dishes and sink clean.
- DockNetik®, a magnetic docking system located within the spout, smoothly glides and securely locks the sprayhead into place.
- ProMotion® technology's light, quiet nylon hose and ball joint make the pull-down sprayhead easier and more comfortable to use.
- MasterClean™ sprayface features an easy-to-clean surface that withstands mineral buildup.
- Temperature memory allows faucet to be turned on and off at the temperature set during prior usage.
- Ceramic disc valves exceed industry longevity standards, ensuring durable performance for life.
- 1.5 gpm (gallons per minute) maximum flow rate at 60 psi.

Material

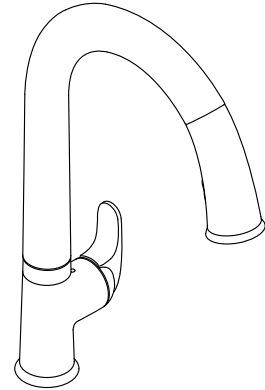
- Premium metal construction.
- KOHLER finishes resist corrosion and tarnishing.

Installation

- Single-hole installation.
- Flexible supply lines simplify installation.
- 3-hole escutcheon kit available (service part number 1209172-CP or 1209172-VS).
- For those without 120 volt, unswitched power below the deck, an optional power supply extension cable may be used to facilitate installation (service part number 1203620).

Adapters, Rough-in and Extension Kits

1012715 Range: 2-1/2" (64 mm) - 4-5/8" (117 mm)



ADA CSA B651

Codes/Standards

ASME A112.18.1/CSA B125.1

NSF/ANSI 61

NSF/ANSI 372

All applicable US Federal and State material regulations

DOE - Energy Policy Act 1992

California Energy Commission (CEC)

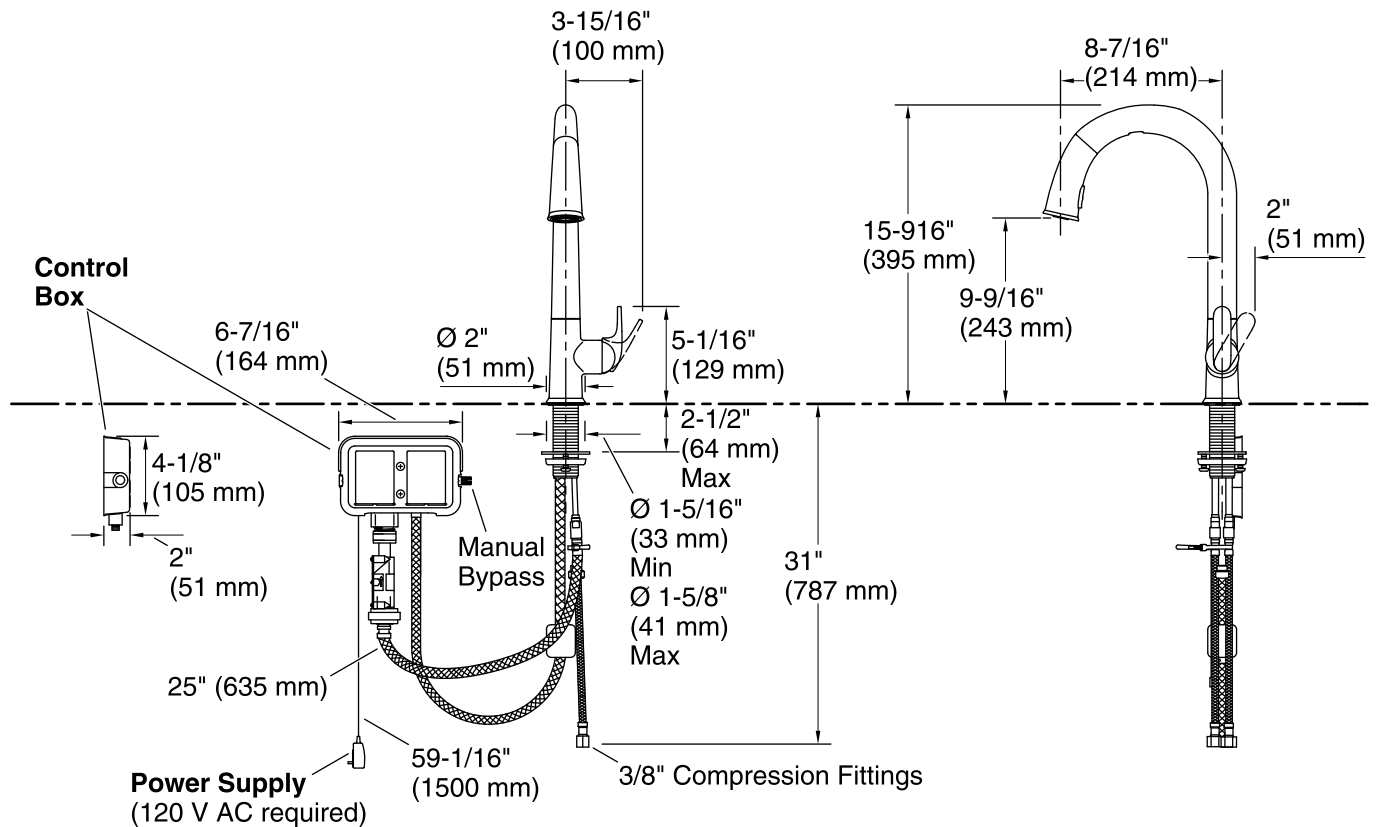
ADA

ICC/ANSI A117.1

CSA B651

KOHLER® Electronic Faucets, Valves, and Controls Five-Year Limited Warranty

See website for detailed warranty information.



Required Electrical Service

One circuit required, protected with Class A Ground-Fault Circuit-Interrupter (GFCI) or Residual Current Device (RCD).

120 V, 15 A, 60 Hz

Technical Information

All product dimensions are nominal.

Power source: Hardwire - AC, not included

Faucet:

Flow rate: 1.5 gal/min (5.7 l/min)

Pressure: 60 psi (4.1 bar)

Drain included: No

Spout:

Spout reach: 8-7/16" (214 mm)

Notes

Install this product according to the installation instructions.

REQUIRED: Unswitched power outlet (120 V AC) located below the sink and within 5' (1.5 m) of the control box. (Garbage disposals typically use switched outlets and are not recommended.)

ADA, CSA B651 compliant when installed to the specific requirements of these regulations.