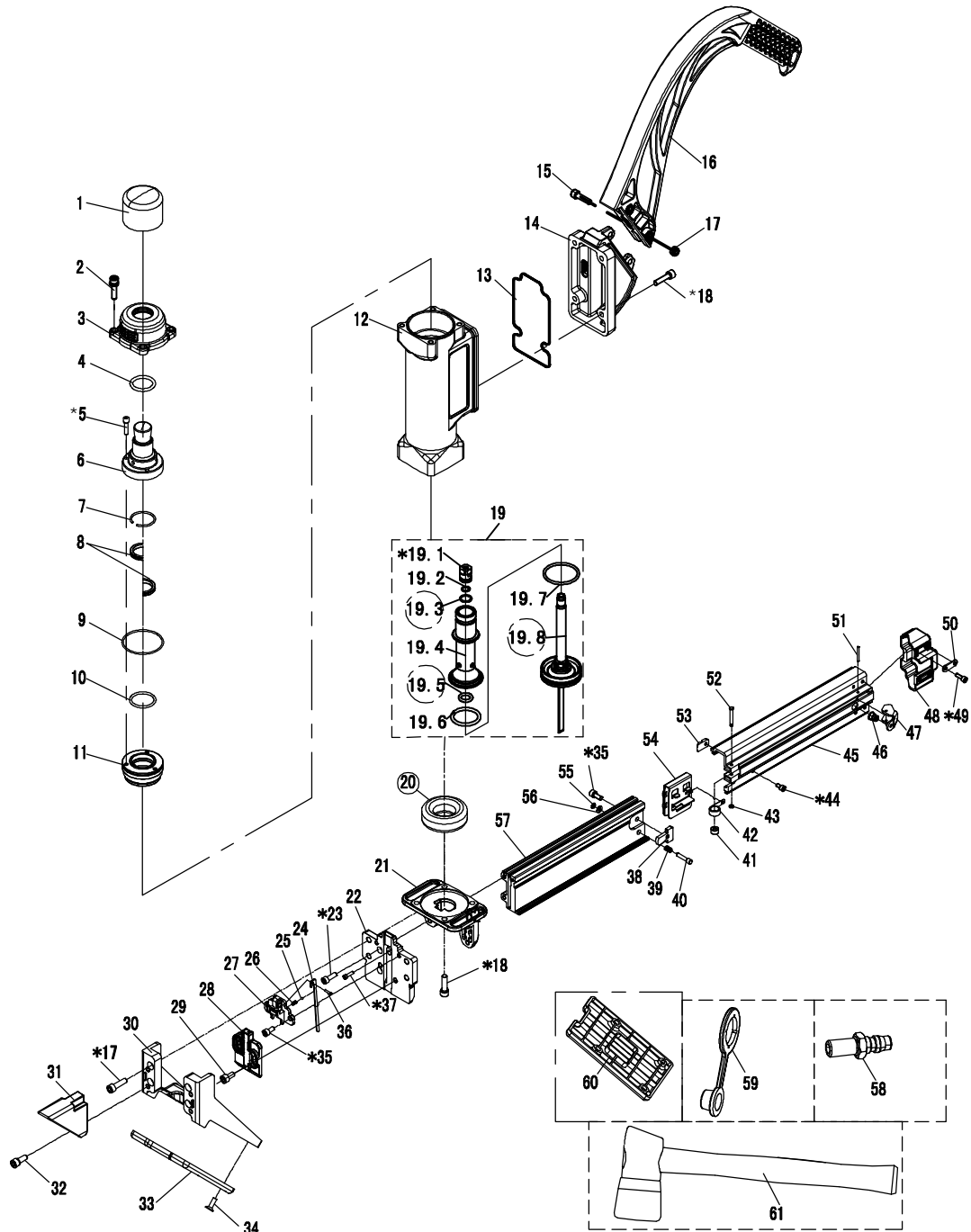


FREEMAN P50LSLW- REPAIR KITS



KIT MODEL	KIT DESCRIPTION	PART NUMBERS
	REBUILD O-RING KIT	4、9、10、13
	DRIVE BLADE AND BUMPER KIT	19、20
	REPLACEMENT 5/8" BASE PLATE	60
	REPLACEMENT 3/4" BASE PLATE	33
	REPLACEMENT MALLET	61