

### Features

- Acrylic
- 8 color-matched jets
- Integral apron with removable access panel
- 1.25 hp pump with air switch and grounding-type plug-in cord
- Integral tile flange
- In-line heater
- Left or right drain
- Slotted overflow for maximum bathing depth
- Low threshold height
- Integral lumbar support
- Armrests
- 60" (152.4 cm) x 32" (81.3 cm) x 19" (48.3 cm)

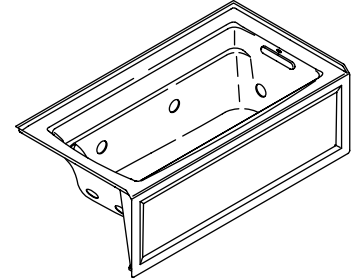
### Codes/Standards Applicable

Specified model meets or exceeds the following:

- ANSI Z124.1.2
- IAPMO/UPC
- Underwriters Laboratories (UL)
- ASME A112.19.7M

### 5' (1.5 m) BATH WHIRLPOOL WITH HEATER

**K-1122-HL**  
ALSO K-1122-HR



### Colors/Finishes

- 0: White
- Other: Refer to Price Book for additional colors/finishes

### Accessories:

- CP: Polished Chrome
- Other: Refer to Price Book for additional colors/finishes

### Specified Model

Model	Description	Colors/Finishes	
K-1122-HL	Bath whirlpool with integral apron and heater, left drain	<input type="checkbox"/> 0	<input type="checkbox"/> Other_____
K-1122-HR	Bath whirlpool with integral apron and heater, right drain	<input type="checkbox"/> 0	<input type="checkbox"/> Other_____
Required Accessories			
K-7272	Bath drain – above or through-the-floor installation	<input type="checkbox"/> CP	<input type="checkbox"/> Other_____

### Product Specification:

The acrylic bath whirlpool shall be 60" (152.4 cm) in length, 32" (81.3 cm) in width, and 19" (48.3 cm) in height. Bath whirlpool shall have 8 color-matched jets and 1.25 hp pump with air switch and grounding-type plug-in cord. Bath whirlpool shall have an in-line heater. Bath whirlpool shall be supplied with a plug-in cord. Bath whirlpool shall have integral apron with removable access panel and integral tile flange. Bath whirlpool shall have left or right drain. Bath whirlpool shall have slotted overflow for maximum bathing depth, low threshold height, and integral lumbar support. Bath shall have armrests. Bath whirlpool shall be Kohler Model K-1122-\_\_\_\_\_-\_\_\_\_\_.

# ARCHER™

## Technical Information

Fixture*:	
Bathing well	
Basin area bottom	45-1/8" (114.6 cm) x 19-11/16" (50 cm)
Basin area top	52-3/4" (134 cm) x 25-5/16" (64.3 cm)
Weight	140 lbs (63.5 kg)
To overflow	
Water depth	15" (38.1 cm)
Capacity	58 gal (219.5 L)
* Approximate measurements for comparison only.	

Pump:	Hp	V	Hz	A
1-speed	1.25	120	60	7
Heater:	kW	V	Hz	A
	1.5	120	60	12.5

## Required Electrical Service (2 required)

Two dedicated circuits required, each protected with Class A Ground-Fault Circuit-Interrupter (GFCI):	
Pump/control	120 V, 15 A, 60 Hz
Heater	120 V, 15 A, 60 Hz

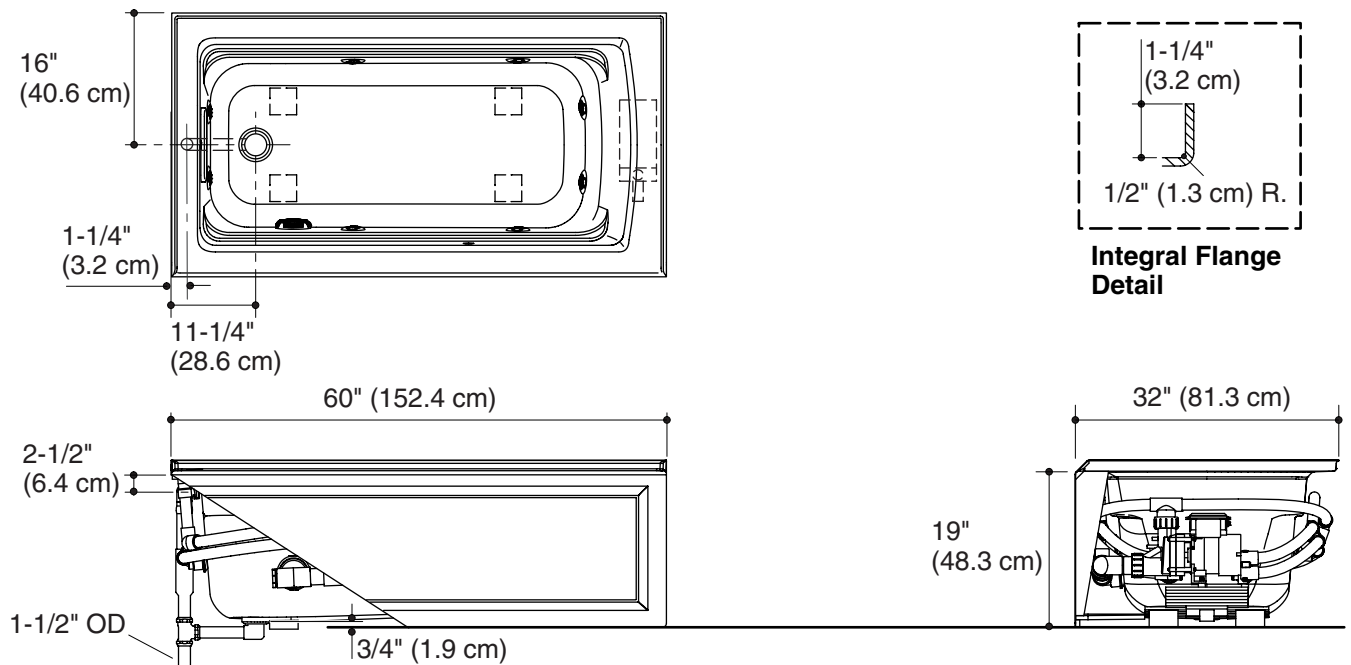
## Installation Notes

Install this product according to the installation guide.

Floor support under this product must provide for a minimum of 49 lbs/square foot (240 kg/square meter) loading.

The hot water supply should be 70% of the capacity of the bath or greater. Installations will vary.

No change in measurements if connected with drain illustrated. (K-7272)



## Product Diagram