

### THE COMPLETE SOLUTION® TOILET K-14824

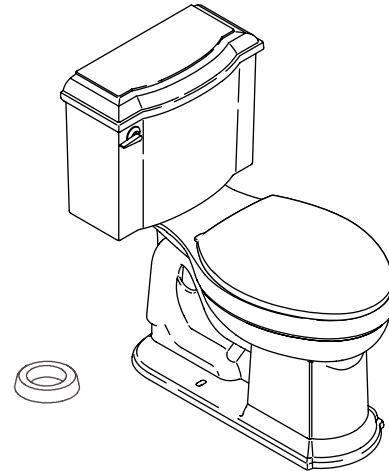
ADA

CSA B651

OBC

#### Features

- Vitreous china
- Elongated bowl
- Comfort Height®
- Class Five® flushing system
- Includes seat, cover, wax ring, polished chrome trip lever and floor hardware
- Less supply
- 12" (30.5 cm) rough-in
- 1.28 gpf (4.8 lpf)
- 2-1/8" (5.4 cm) glazed trapway
- 11-1/2" (29.2 cm) x 8-3/4" (22.2 cm) water area
- 29-1/4" (74.3 cm) x 17-1/4" (43.8 cm) x 30-3/4" (78.1 cm)



#### Codes/Standards Applicable

Specified model meets or exceeds the following:

- ADA
- ICC/ANSI A117.1
- CSA B651
- OBC
- ASME A112.19.2/CSA B45.1
- Energy Policy Act of 1992

#### Colors/Finishes

- 0: White

#### Accessories

- 0: White
- CP: Polished Chrome
- PB: Vibrant® Polished Brass
- Other: Refer to Price Book for additional colors/finishes

#### Specified Model

Model	Description	Colors/Finishes			
K-14824	The Complete Solution toilet	<input type="checkbox"/> 0			
<b>Recommended Accessories</b>					
K-4650	Lustra™ open-front seat with cover – for Accessibility compliance	<input type="checkbox"/> 0			<input type="checkbox"/> Other _____
K-7637	Angle supply with stop – 3/8" NPT		<input type="checkbox"/> CP	<input type="checkbox"/> PB	<input type="checkbox"/> Other _____
<b>Optional Accessories</b>					
1126917	Trip lever (non-CP)	<input type="checkbox"/> Other _____			

#### Product Specification

The elongated bowl toilet shall be made of vitreous china. Toilet shall be 29-1/4" (74.3 cm) in length, 17-1/4" (43.8 cm) in width, and 30-3/4" (78.1 cm) in height with a 11-1/2" (29.2 cm) x 8-3/4" (22.2 cm) water area. Toilet shall be Comfort Height. Toilet shall be rated at 1.28 gpf (4.8 lpf) with Class Five flushing system. Toilet shall be 12" (30.5 cm) rough-in with a 2-1/8" (5.4 cm) glazed trapway. Toilet shall include polished chrome trip lever, seat with cover, wax ring, and floor hardware. Toilet shall be less supply. Toilet shall be Kohler Model K-14824-0.

# DEVONSHIRE®

## Technical Information

Fixture:	
Configuration	two-piece, elongated
Water per flush	1.28 gpf (4.8 lpf)
Passageway	2-1/8" (5.4 cm)
Water area	11-1/2" (29.2 cm) x 8-3/4" (22.2 cm)
Water depth from rim	5-1/2" (14 cm)
Seat post hole centers	5-1/2" (14 cm)

Included components:	
Bowl	K-4397
Tank	K-4438
Tank cover	1044820
Trip lever	1126917
Toilet seat	1121434
Tank accessory pack	73062
Bolt cap accessory pack	1013092
Wax ring and hardware installation kit	1023457

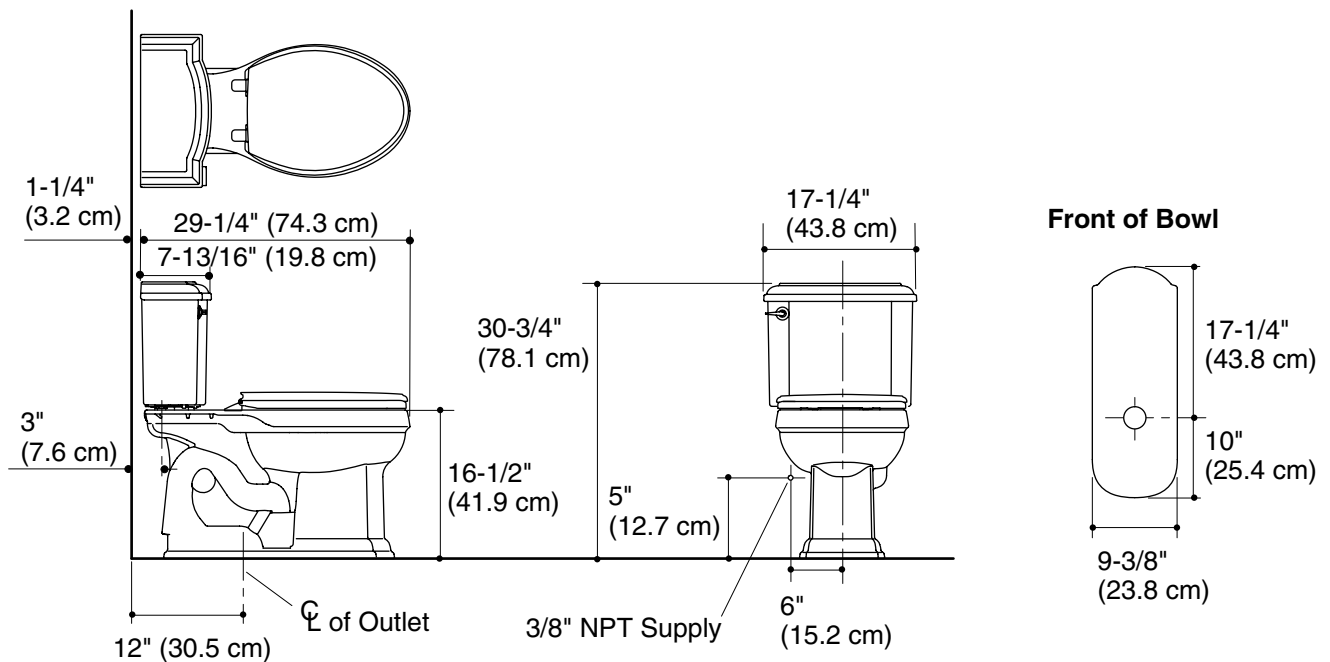
## Installation Notes

Install this product according to the installation guide.

Will comply with the American Disabilities Act (**ADA**) when installed per the requirements of the Accessibility Guidelines, Section 604 Water Closets, of the Act. The Model Plumbing Codes require the installation of elongated open-front toilet seats in public bathrooms.

Will comply with **CSA B651** when installed per Clause 4.3.6 of the standard.

Will comply with **OBC** when installed per Clause 3.8.3.8 and 3.8.3.9.



## Product Diagram