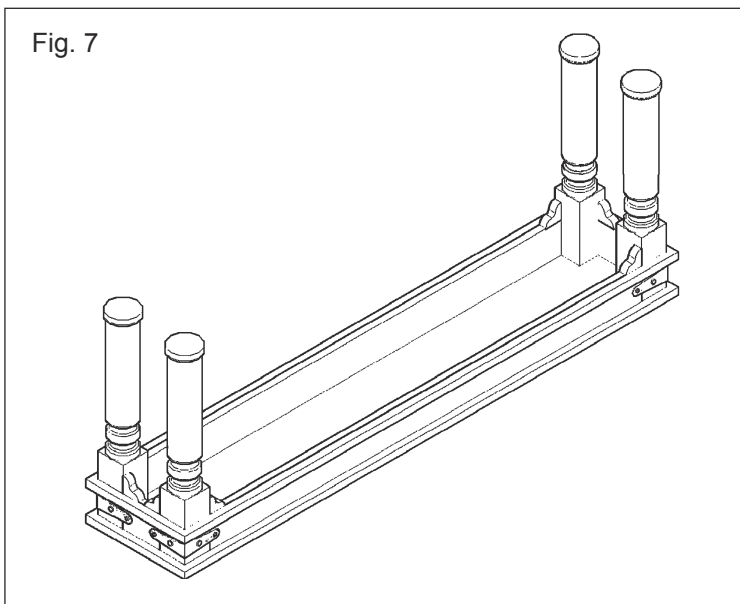
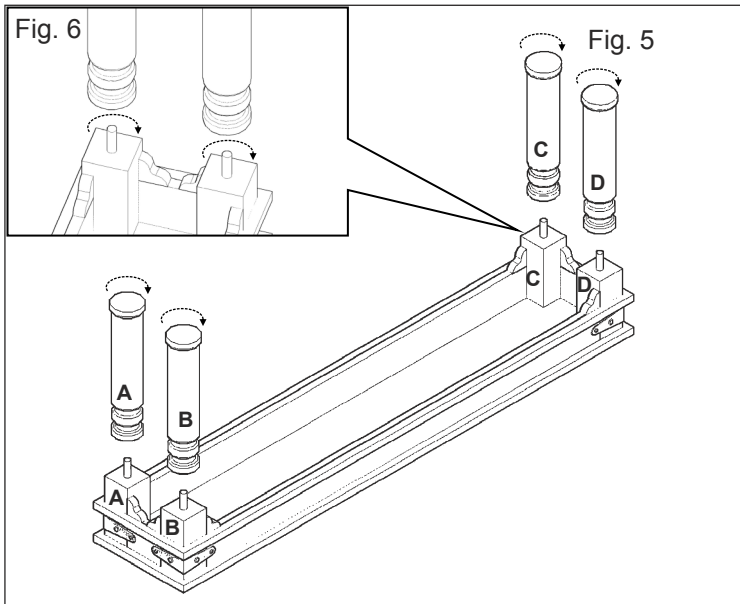
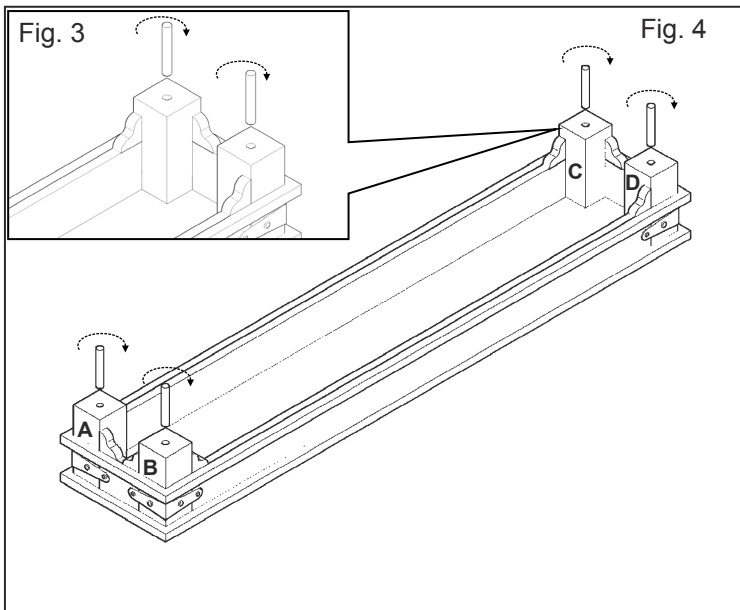
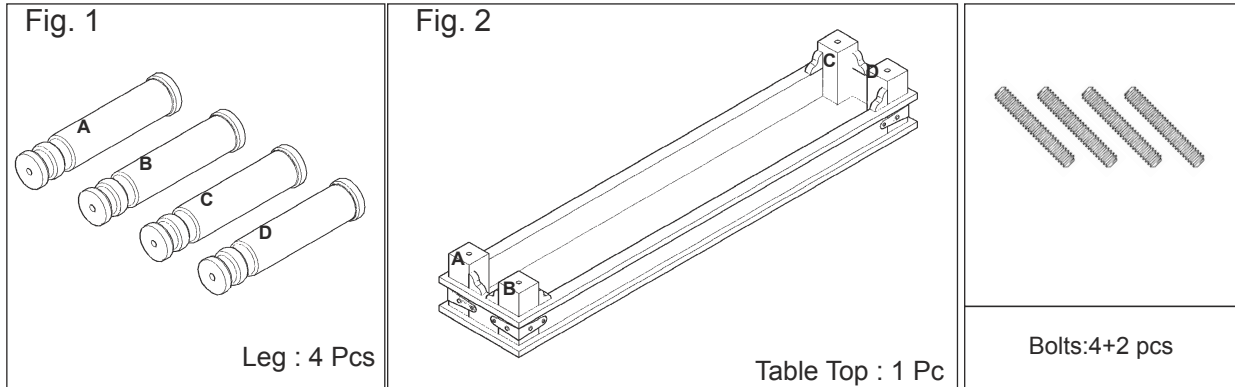


## ASSEMBLY INSTRUCTIONS FOR FIELDS CONSOLE TABLE



### **Pre-assembly:**

- Please read all instructions carefully before beginning assembling.
- It is recommended that assembly is done on a soft surface such as carpet to avoid any damage.
- We recommend adult assembly by two people for your safety.

Step 1 : Turn table top upside down onto a clean surface as shown in the Fig.2.

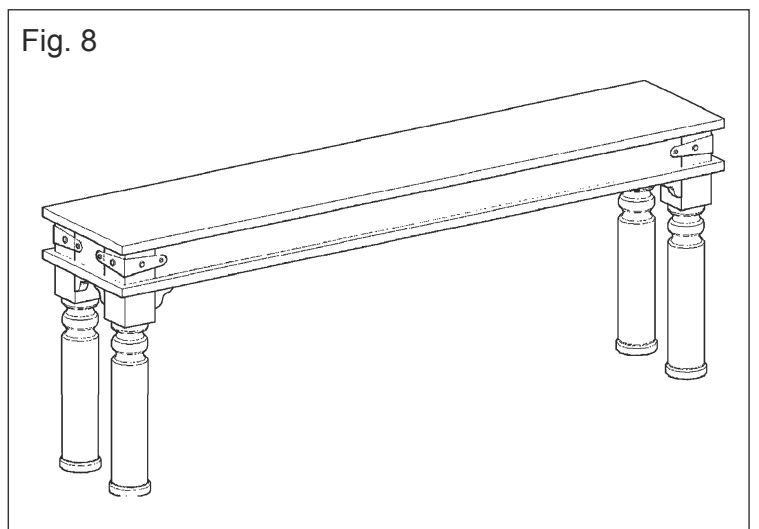
Step 2 : Fasten the bolts provided in the table top as shown in the Fig. 3.

Step 3: Match label on table top with the label on leg ("A" with "A" and "B" with "B") as shown Fig. 5.

Step 4: Fix the leg to the table by rotating it in clockwise direction as shown in the shown Fig. 6.

Step 5: Repeat the same for remaining legs.

Step 6 : Turn the table in upright position after assembly.



CAC18II2016

### **Care Information:**

- Clean using a soft, dry cloth.
- Do not use harsh abrasives, chemicals or polishes containing silicone to as they can damage this finish.
- Avoid direct sunlight as this will cause the timber to change colour.
- It is important to remove moist substances immediately.