



1000W Watt Coffin Skeleton Fog Machine USER MANUAL

READ AND SAVE THESE INSTRUCTIONS FOR FUTURE REFERENCE IMPORTANT SAFETY INSTRUCTION

CAUTION

- Risk of burn, fire or electrical shock.
- For indoor use only.
- Please read instruction manual before using.
- Don't immerse in liquid.
- Not for space heating purpose.

FOG MACHINE TECHNICAL SPECIFICATIONS

Item Code: 5724319

Model: FM1000-AH

Rating Voltage: AC120V, 60Hz

Power: 1000W

Ambient Temperature: -10 ~ 45°C

Fuse: 10A, 125V

Preheat Time: 3 ~ 5 Minutes

Fog Output: 3,000 CFM

Tank Capacity: 1.1 Liter

Dimensions: L411 × W211 × H250 mm

L16.1 × W8.3 × H9.8 inch

WARNING

To prevent risk of personal injury, fire, and electric shock:

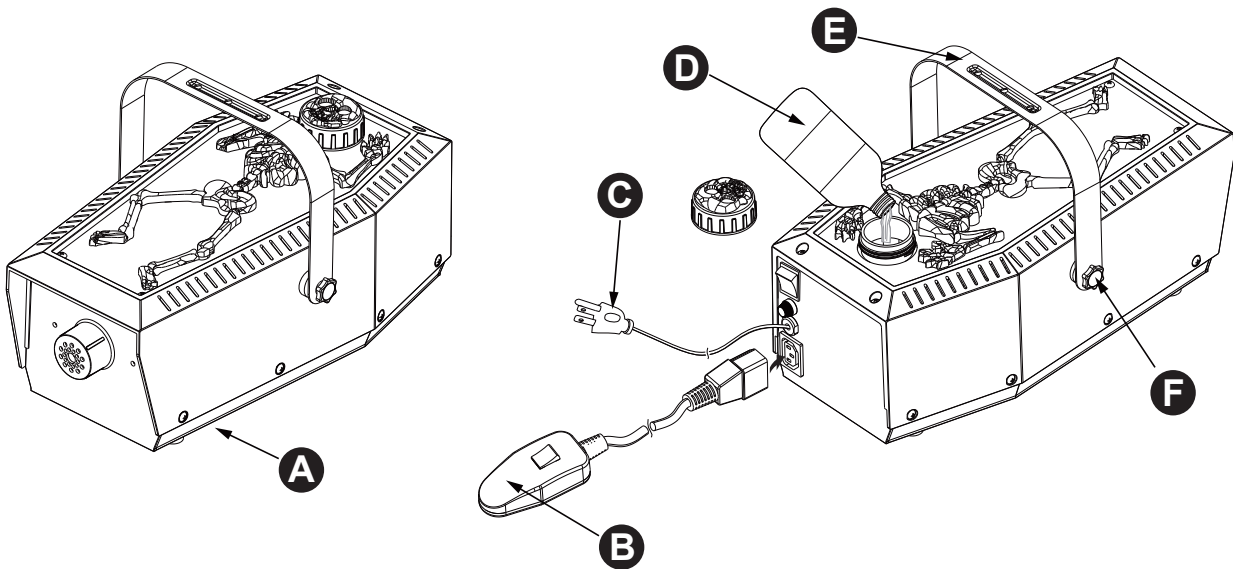
- Never leave unit unattended while plugged in. Unplug when not in use.
- Read all important safety instructions and cautions.
- Connect only to a properly grounded outlet.
- Place product on a flat, level HARD surface and connect the cord to prevent the product from overturning.
- For use only in covered areas. Keep unit dry, do not expose to rain or moisture. Do not immerse unit.
- Leave enough space for good ventilation. Keep unit cool and away from other objects.
- Use only with SVI Fog Liquid (sold separately).
- Do not operate unit without fog liquid.
- Pour fog liquid carefully to avoid spills which could result in electrical shock. Do not use if liquid spills onto unit. Let unit dry completely before plugging in.
- Do not overfill the liquid.

- Keep away from flames and flammable/explosive substances to avoid fire or explosions. Never pour flammable liquids such as gas, perfume etc. into the fog machine.
- Keep product and fog liquid out of reach of children. Use only under adult supervision.
- Do not spray in the direction of flames or people. Stay at least 20 inches (50cm) from the nozzle at the front of the unit.
- Do not obstruct the nozzle.
- Do not open unit. No user serviceable parts inside, please refer to your vendor. Only an electrician can change the power cord.
- Clean unit before storage to avoid damages.

PARTS LIST

- A. Fog Machine
- C. Power Cable
- E. Handle

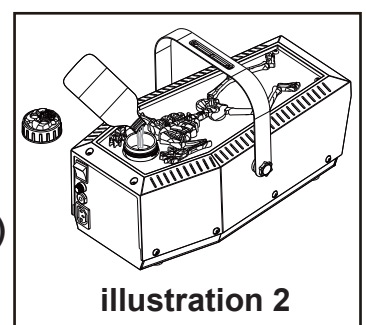
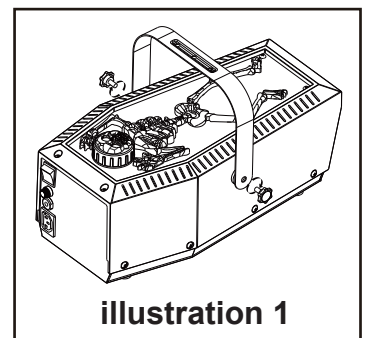
- B. Remote
- D. Fog Liquid (not included)
- F. Handle Screw (2 Pieces)



GENERAL ASSEMBLY AND OPERATION INSTRUCTIONS

Please follow all directions below and as marked on the fogger while in use:

1. Remove all the packing before use. Note: Please contact the store if you find any broken or missing parts. Place the unit on a flat, level surface. Plug the remote connector into the 3-pin connector located on the back of the Fog machine.
2. Secure the handle with the handle screws. (See illustration 1)
3. Unscrew the tank lid on the reservoir tank towards the back of the Fog Machine and pour the Fog Liquid inside. Do not spill Fog Liquid onto the unit. Do not overfill. If liquid gets into Fog Machine, allow unit to dry completely before plugging in. Close the lid to the reservoir tank tightly. Always make sure there is enough Fog Liquid in the tank before using the Fog Machine. (See illustration 2)
4. Connect the unit with proper power supply (120VAC). Turn on the switch on the back of the unit.



WARNING: Risk of Electric Shock – DO NOT REMOVE grounding pin on plug or use ground pin adaptors.

5. Warm up time is approximately 3 – 5 minutes. When fully heated, the light on the remote will turn on, and then put the switch of remote to on-position to produce fog.
6. Turn off the unit before refilling the fog machine.
7. Unplug the unit when not in use.
8. To refill the tank; turn off the unit, unplug and follow the directions in Step 3.

ADDITIONAL INFORMATION

- (a) It is normal for condensation to appear on the nozzle of the Fog Machine.
- (b) A small amount of fog may spray during or after operation.
- (c) The unit will have to reheat after long bursts of use. The unit will stop operation for a short period in order to heat up to operating temperature again. While this is happening, fog cannot be produced. The light on the remote will turn on again when the unit is ready to generate more fog.

MAINTENANCE & SERVICING

Note: Use of fogger liquids not included or those other than SVI Fog Liquid are not recommended and may result in blockage, leakage, or other damage to the unit.

INSPECTION

Before each use, check unit for any cracks in the enclosure, remote control, cords, and plugs. Make sure there are no exposed wires. Do not use if any of the above conditions are found.

CLEANING

Should you experience low fog output after many hours of continuous operation or after the machine has been idle or in storage for a long time, it is recommended to run a cleaning solution through the system to prevent the accumulation of particles in the heating element.

- (a) While the unit is unplugged and cool, empty all Fog Liquid from the machine and replace with a fog machine cleaning solution in the tank. SVI Fog Machine Cleaning Fluid (not included) is recommended. Plug unit in and allow to warm as usual.
- (b) Run unit in a well-ventilated area until tank is empty.
- (c) Cleaning is now complete.

All fog machines are prone to clogging due to the consistency of Fog Liquid and the high temperatures at which it vaporizes. However a well maintained machine should provide years of reliable use.

STORAGE

It is important to remove all fluid from the unit when storing for an extended period of time.

1. When the unit is unplugged and cool, empty all Fog Liquid from the machine. Plug in unit and allow to warm as usual.
2. Run unit in a well-ventilated area for 10-seconds to confirm tank is empty and dry.
3. Store on a flat, level surface. Keep in a well-ventilated, cool and dry location.

For best performance, operate unit for 10-minutes every 3 months. Follow the Operation Instructions and Storage instructions accordingly.

FUSE REPLACEMENT

If the unit does not function at all when connected to the main power supply then it is highly likely that the fuse has blown.

WARNING: Risk of electric shock and fire. Disconnect from main power supply before attempting to replace fuse.

1. Turn the fuse knob counterclockwise to reveal the fuse.
2. Replace the fuse with the same size and type fuse: 10A, 125V.
3. Place fuse in cover and reinstall by turning clockwise. Be sure not to over tighten.

Congratulations on the purchase of your new fog machine!

FOR INDOOR USE ONLY

SAVE THESE INSTRUCTIONS