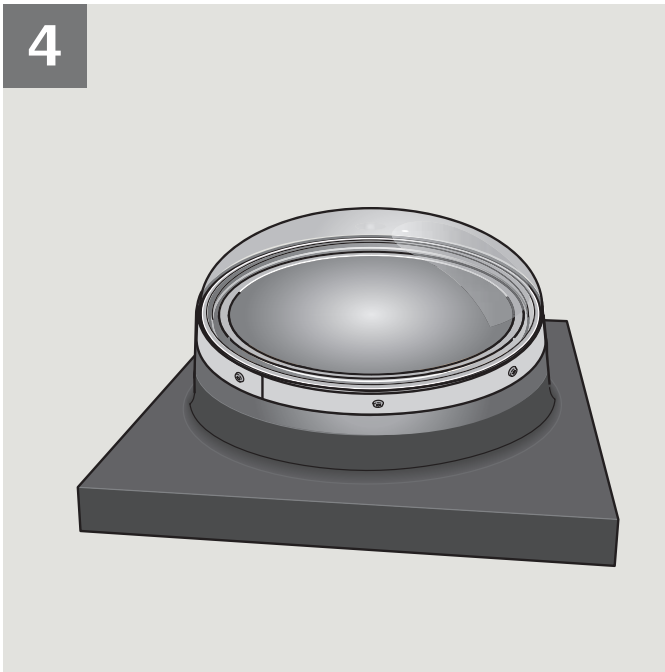
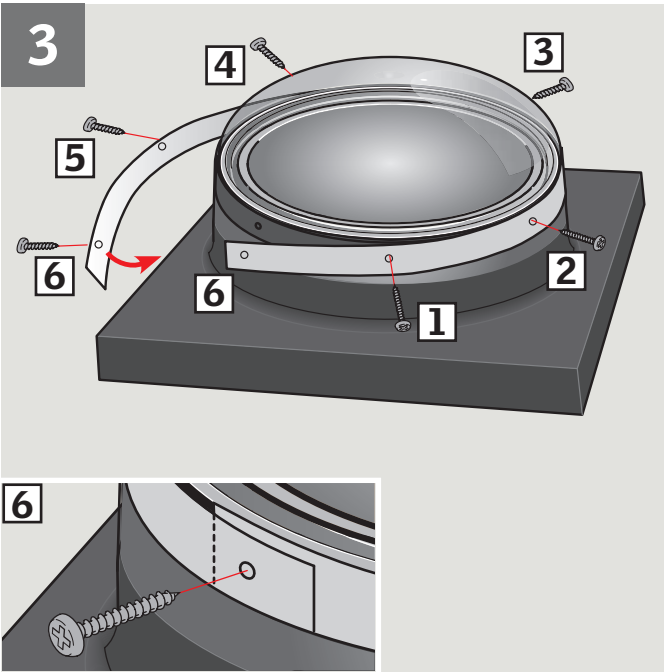
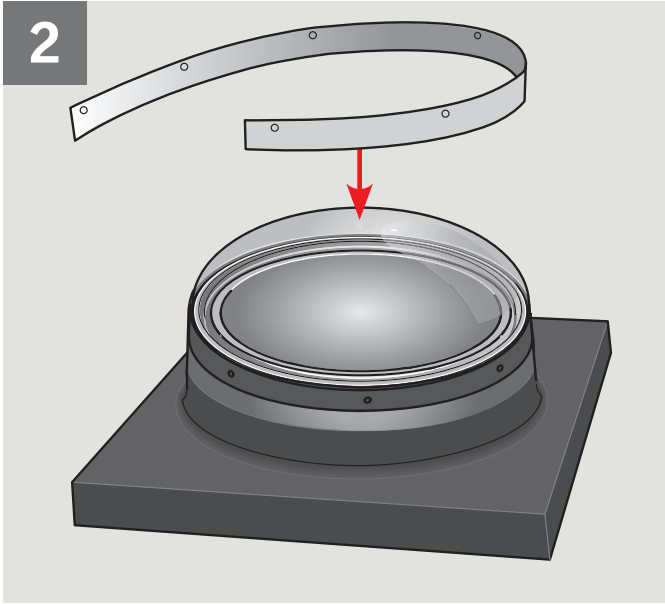
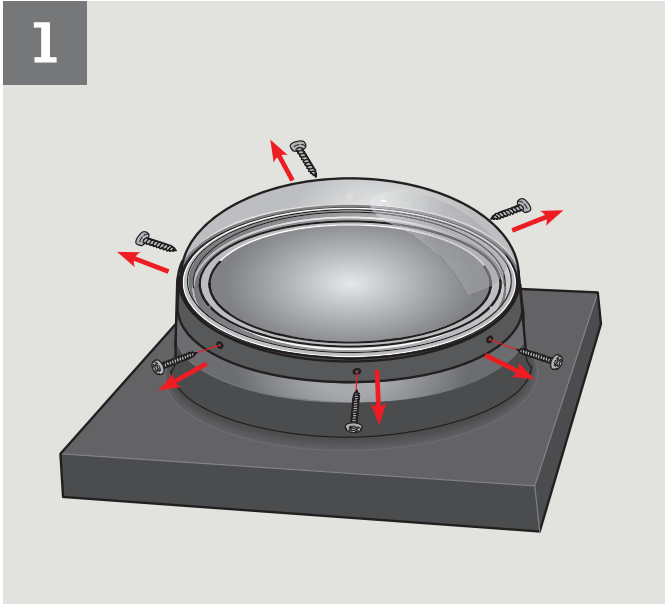


ZZZ 192

Fire Band



INSTALLATION INSTRUCTIONS FOR ZZZ 192 FIRE BAND. ©2013 VELUX GROUP. VELUX AND THE VELUX LOGO ARE REGISTERED TRADEMARKS USED UNDER LICENSE BY THE VELUX GROUP.
INSTRUCCIONES DE INSTALACIÓN PARA EL ZZZ 192 FIRE BAND. ©2013 VELUX GROUP. VELUX Y EL LOGO VELUX SON MARCAS DE COMERCIO REGISTRADAS Y EMPLEADAS SOUS LICENCIA DE VELUX GROUP.

