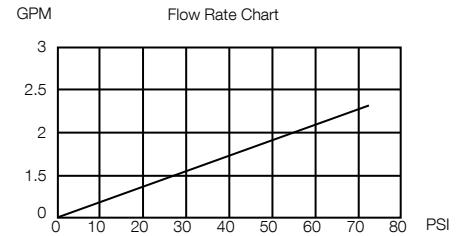


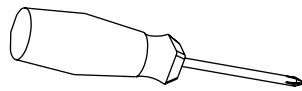
Certifications & Information

- ADA Approved
- Limited Lifetime Warranty



Tools

Gather the necessary tools as shown to complete the installation of this faucet.



Phillips screwdriver



Adjustable Wrench

The following tools are optional:



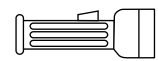
Safety Glasses



Channel Lock

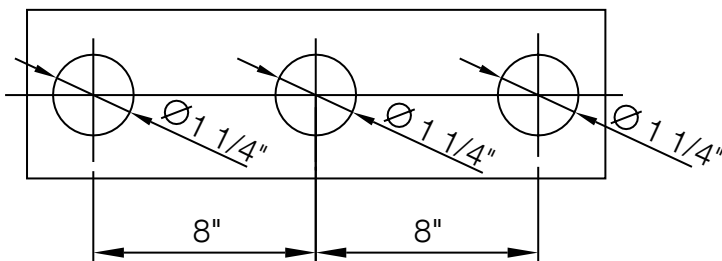


Pliers



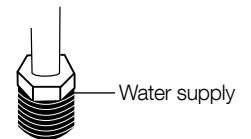
Flashlight

Configuration

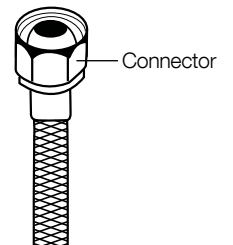


Three-hole Installation
6"-24" Centerset

Connect to water supply lines with TWO
3/8" Compression Faucet Connectors



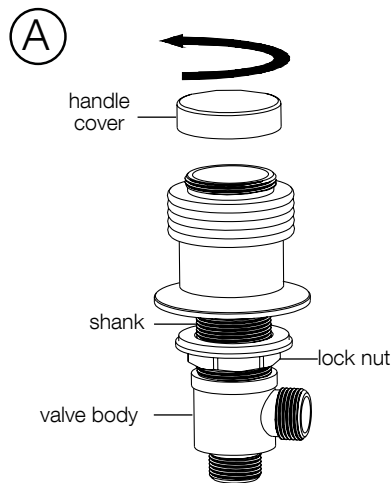
Water supply



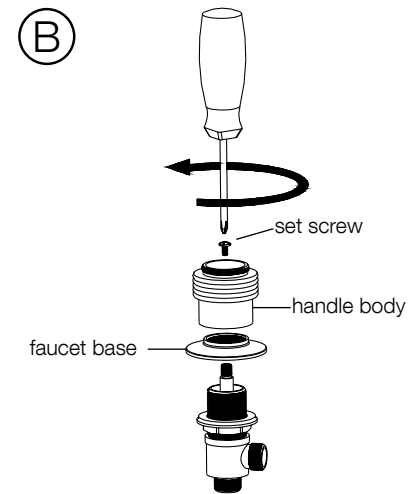
Connector

Faucet Installation

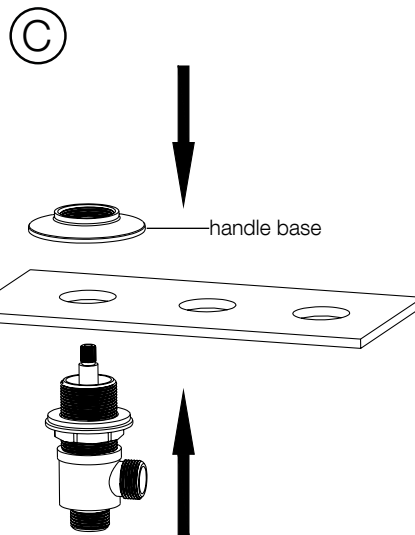
A. Turn off the water supply. Remove the faucet and faucet handles with the mounting hardware attached from the package.



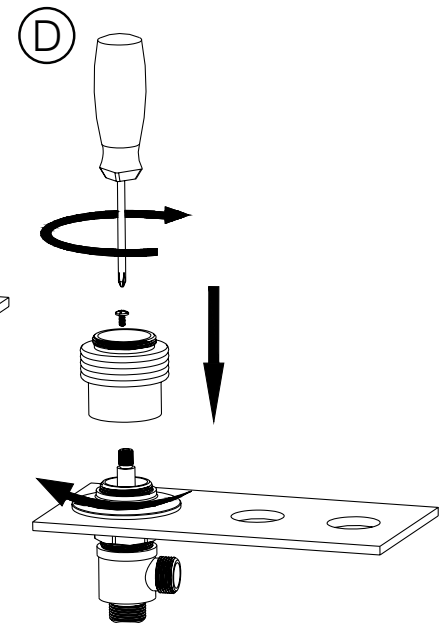
B. Insert a phillips head screw driver into the faucet handle body removing the set screw. Separating the valve body from the handle body.



C. From the underside of the sink or mounting surface, attach the gasket and washer, followed by the lock nut, onto the shank. Insert the shank of the faucet handle body into the hole of the sink deck.

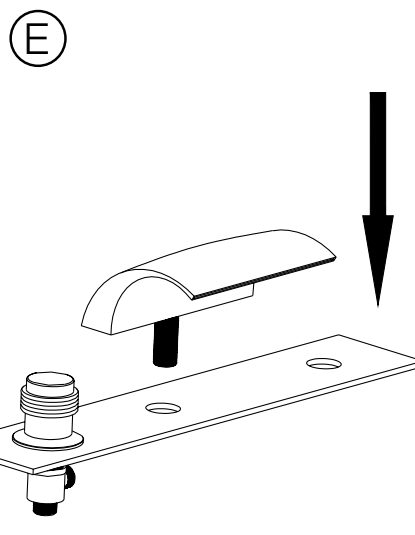


D. Lower the faucet base into the mounting surface followed by the faucet handle. Using a phillips screw drive tighten the set screw until secure. Replace the handle cover.

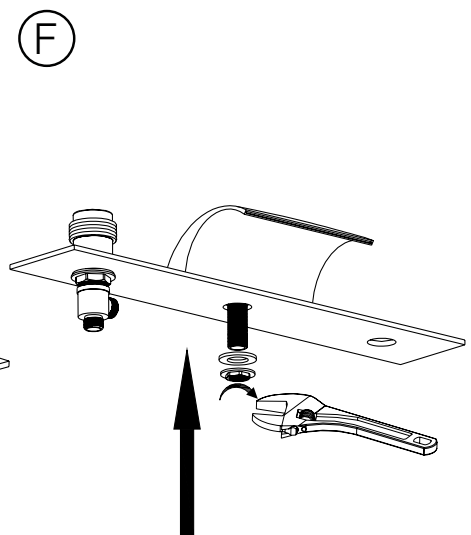


Repeat the above steps for the second faucet handle.

E. Remove all mounting hardware from the faucet shank. Lower the faucet shank into the mounting surface.



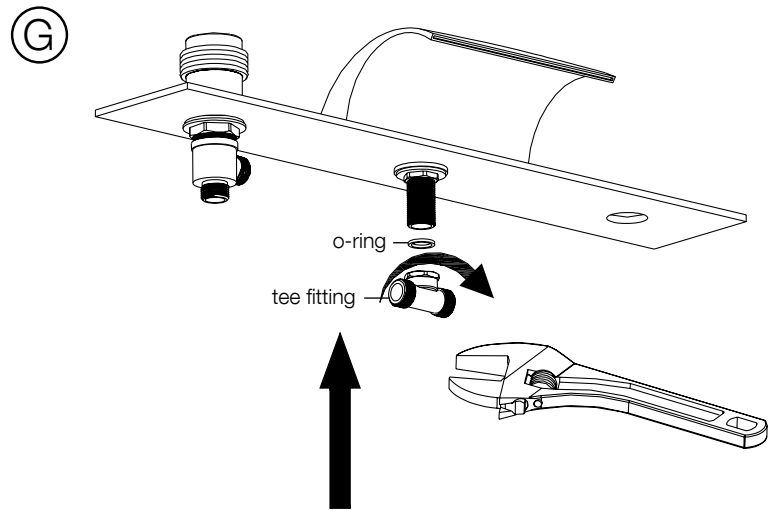
F. From the underside of the sink or mounting surface, attach the washer, followed by the lock nut, onto the shank. Tighten the lock nut until secure.



Faucet Installation Continued

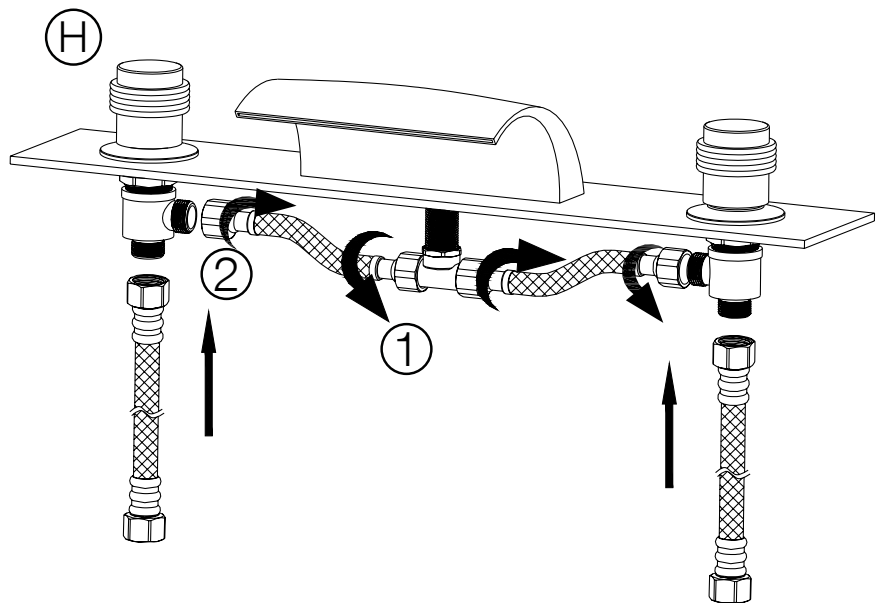
- G. Ensure that the o-ring is properly secured in the tee fitting before attaching.

Tighten the tee fitting on to faucet shank.
Secure all fittings with a 1/4 turn of a wrench.

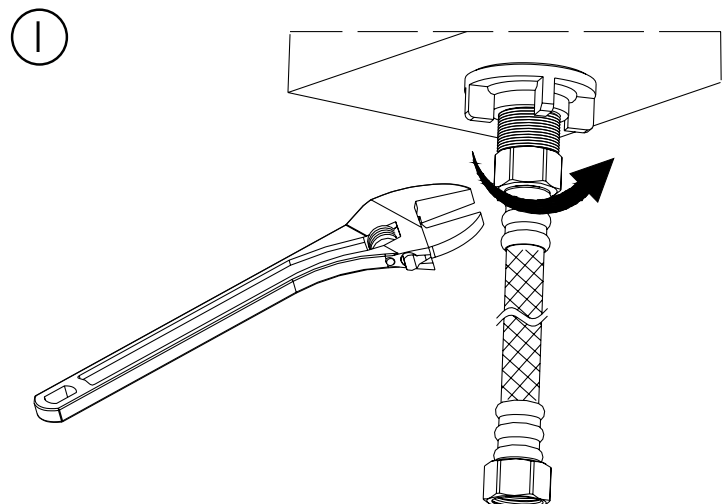


- H. Attach the hot and cold supply lines to the Tee fitting at the faucet base.

Attach the opposite end of each hose to the corresponding valve body fittings by tightening the 3/8" compression fittings onto the lines. Secure all fittings with a 1/4 turn of a wrench.

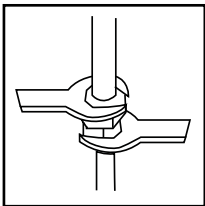
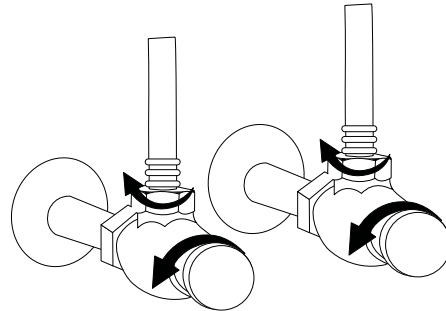


- I. Secure water line connections to each corresponding faucet handle shank base.
Secure all fittings with a 1/4 turn of a wrench.



Important

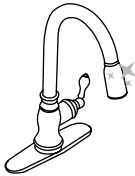
Turn on the water supply SLOWLY, to test for leaks before completely opening the water lines.



To prevent damage to the tube body, tighten the connections by carefully using two wrenches as shown. Use caution to not bend the stem. Check for leaks.

Cleaning Information

Simply rinse and dry faucets with a soft towel every week to prevent mineral deposits from forming. Clean spills and splatters as they happen. Do not let soap, toothpaste or other contaminants dry on the faucet, this can stain or pit the finish. Use a mild soap and soft sponge or towel to remove residue. Rinse and dry thoroughly.



Never use an abrasive cleaner or rough sponge to clean or dry your faucet. Harsh cleaners could dull or scratch the finish. Use only a soft disinfectant that does not contain bleach or chlorine and apply with a soft towel.

Warranty Information

MR Direct warrants to the original consumer purchaser that our sinks and faucets will be free from defects in material and workmanship under normal use for the lifetime of the product. MR Direct may elect to repair or replace any defective MR Direct product covered by our warranty.

Our warranty does not cover defects caused by misuse, abuse, negligence, alterations, environmental conditions, improper installation, storage and handling; nor any labor expenses.

From time to time we will change design specifications and materials as conditions require and improvements are developed. We have no obligation to incorporate such changes in products we previously manufactured.

This warranty is in lieu of any and all other warranties, express or implied, including any warranties of merchantability and of fitness for a particular purpose; and excludes any incidental or consequential damages. No representative has the authority to change or enlarge the above warranty.

This warranty is only valid in the United States of America. Some states do not allow limitations on how long an implied warranty lasts or the exclusion or limitation of incidental or consequential damages, so the above limitations or exclusion may not apply. This warranty gives you specific legal rights, and you may also have other rights which vary from state to state.

One-Year Accessory Warranty

MR Direct warrants to the original purchaser that all of our accessories will be free from defects in material and workmanship under normal use for one full year.

Our warranty does not cover defects caused by misuse, abuse, negligence, alterations, environmental conditions, improper installation, storage and handling; nor any labor expenses. MR Direct may elect to repair or replace any defective MR Direct accessory covered by our warranty.

Notes