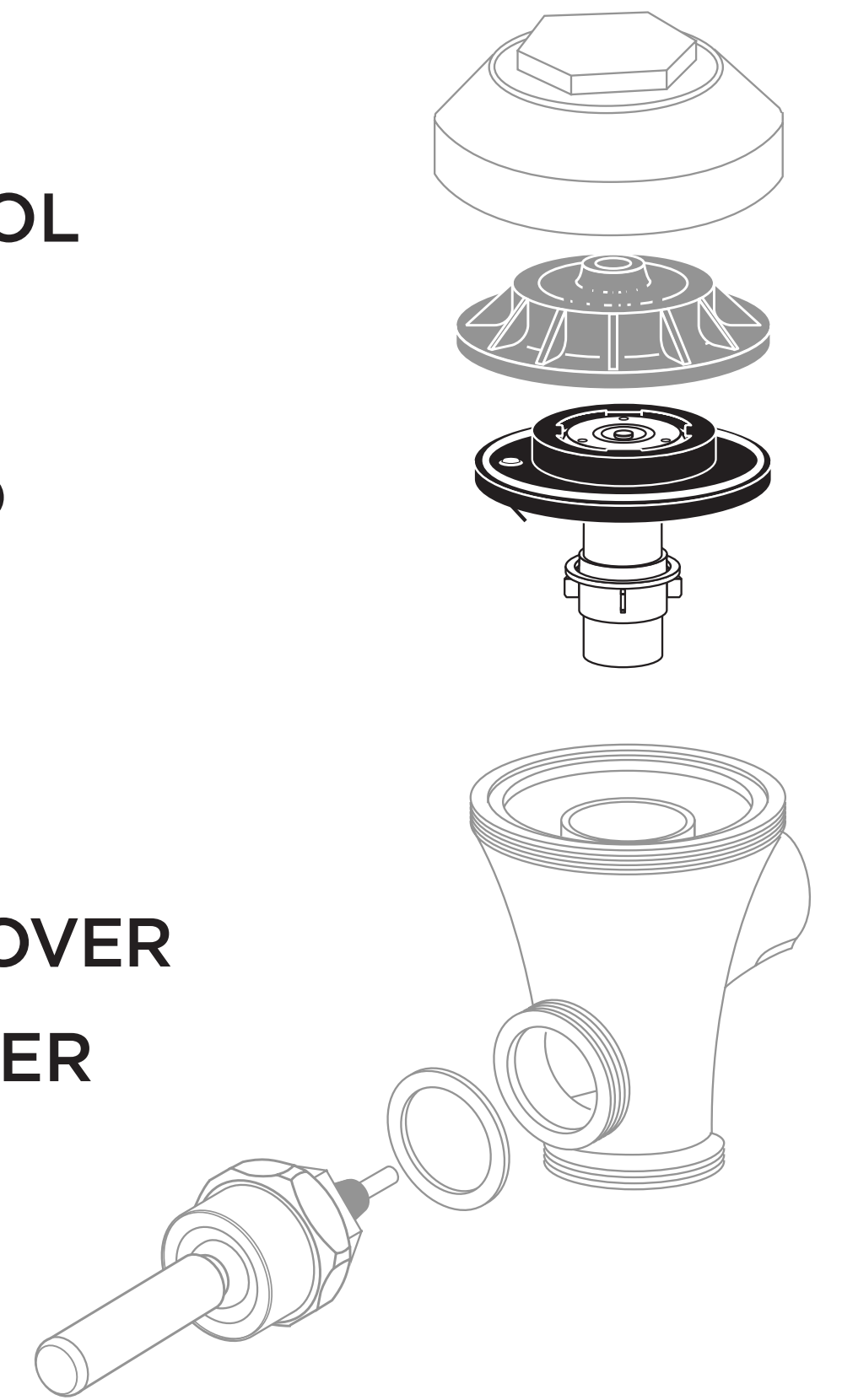




TO INSTALL

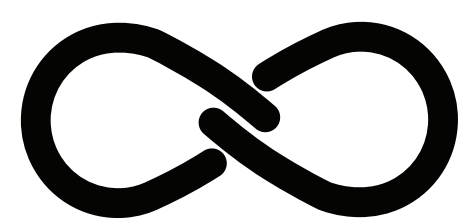
- 1 SHUT OFF WATER AT CONTROL STOP & DEPRESS HANDLE TO RELIEVE PRESSURE
- 2 REMOVE VALVE COVERS AND OLD DIAPHRAGM KIT. CLEAR INSIDE OF VALVE FROM DEBRIS OR SEDIMENT
- 3 INSERT NEW DIAPHRAGM IN VALVE AND REINSTALL THE COVER
- 4 SECURELY TIGHTEN THE COVER AND ALL COUPLING NUTS
- 5 OPEN CONTROL STOP AND ADJUST FLUSH



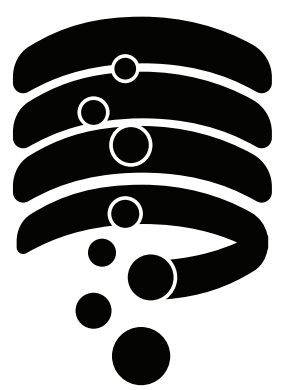
AS America, Inc.
P.O. Box 6820
Piscataway, New Jersey 08855
Attention: Director of Customer Care
PATENT-PENDING

For residents of the United States, warranty information may also be obtained by calling the following toll free number: (800) 442-1902
www.americanstandard.com

ULTIMA™ DIAPHRAGM KIT



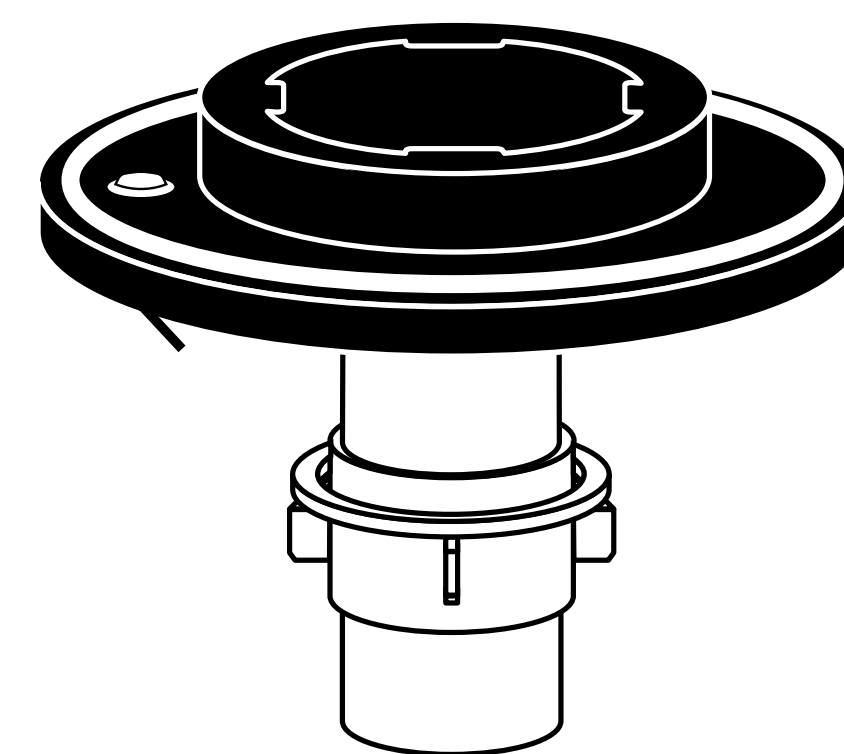
EVOLAST™ CHEMICAL RESISTANT MATERIAL RESISTS WARPING, CRACKING & DETERIORATION



DYNACLEAN™ SELF-CLEANING WIPER SPRING CLEANS THE ORIFICE WITH EVERY FLUSH, PREVENTING RUN-ON

CHEMICAL AND CLOG-RESISTANT DIAPHRAGM KIT FOR FLUSH VALVES

PATENT-PENDING



DESIGNED TO RETROFIT SLOAN® & ZURN® DIAPHRAGM VALVES. KITS ARE FURNISHED COMPLETE WITH CLOSET OR URINAL TRIP MECHANISM.

SKU	TYPE	GPF
M954327-0070A	URINAL	0.125
M954326-0070A	URINAL	0.5
M954323-0070A	TOILET	1.1
M954322-0070A	TOILET	1.28
M954319-0070A	TOILET URINAL	1.6 1.0
M954324-0070A	CLINIC SINK	6.5

PATENT-PENDING