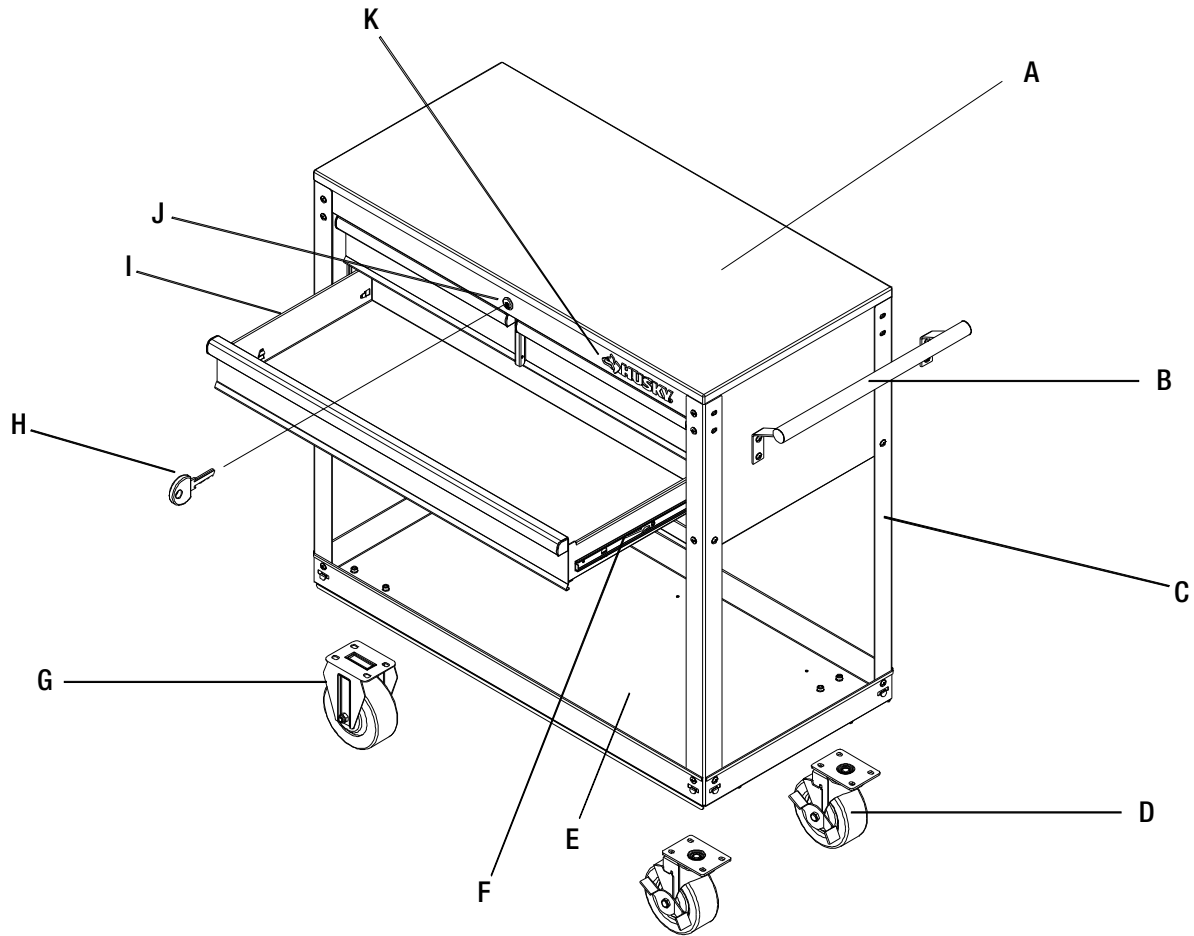


# Service Parts



Part	Description	Quantity
A	Wood top	1
B	Side handle	1
C	Leg	4
D	Swivel caster with brake	2
E	Tray	1
F	Drawer slide (pair)	3
G	Rigid caster	2
H	Key (set)	1
I	Drawer	3
J	Lock	1
K	Husky badge	1