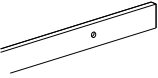


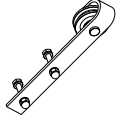
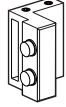
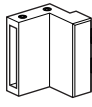






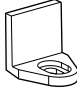
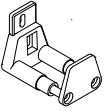


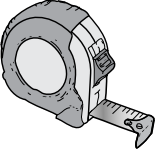

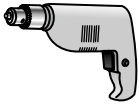





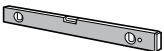
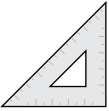
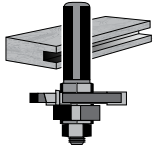
BARN DOOR HARDWARE KIT

INSTALLATION GUIDE

Main Components

x1 Rail 	x5 Wall Spacer 	x2 Anti-jump Block 	x2 Bent Strap 	x1 Right Stopper 	x1 Left Stopper 	x5 5/16 (8mm x 60mm) Carriage Bolt 
x5 5/16 (8mm x 25mm) Anchor  (Pre-mounted to Carriage Bolt)	x5 5/16 (8mm x 90mm) Wall Screw 	x5 5/16 (10mm) Wall Anchor 	x2 #8 (4.2mm x 25mm) Floor Screws 	x2 5/16 (8mm) Floor Anchor 	x1 Floor-Mounted Door Guide 	x1 Optional Secondary Wall-Mounted Door Guide 

Tools Required

Tape Measure 	Pencil 	Cordless Drill 	Drill Bit 5/16 (8mm) 	Drill Bit 3/8 (10mm) 	Phillips Screwdriver 	Wrench 
Allen Key 	Level 	Speed Square 	1/4" Mortise Router Head  Required for Floor-Mounted Door Guide Installation			

IMPORTANT: BEFORE YOU BEGIN

IF INSTALLING DIRECTLY INTO A NON-CONCRETE WALL, DO NOT ATTEMPT TO INSTALL THE RAIL SOLELY TO THE DRYWALL OR ANY WALL SURFACE AS THIS MAY NOT SUPPORT THE WEIGHT OF THE RAIL AND MOUNTED DOOR. THE RAIL MUST BE INSTALLED ONTO A PIECE OF SOLID WOOD BLOCKING (SOLD SEPARATELY). USING MOUNTING SCREWS (ALSO SOLD SEPARATELY) ENSURE THE SOLID WOOD BLOCK IS SECURED INTO THE STRUCTURAL SURFACE. USE A STUD FINDER WHERE NECESSARY TO LOCATE STUDS AND SECURE SAFELY. TYPICAL SOLID WOOD BLOCKING SHOULD BE 1" X 4" TO THE LENGTH OF THE RAIL.

NOTE, THE MAXIMUM THICKNESS OF THE DOOR MUST BE 1 3/8". IF INSTALLING WITH THE FLOOR-MOUNTED DOOR GUIDE, THE DOOR MUST BE MORTICED 1/4" WIDE X 3/4" DEEP CENTRALLY. A SECONDARY WALL-MOUNTED DOOR GUIDE HAS ALSO BEEN PROVIDED FOR NON-MORTICED DOOR INSTALLATION.

BARN DOOR HARDWARE KIT

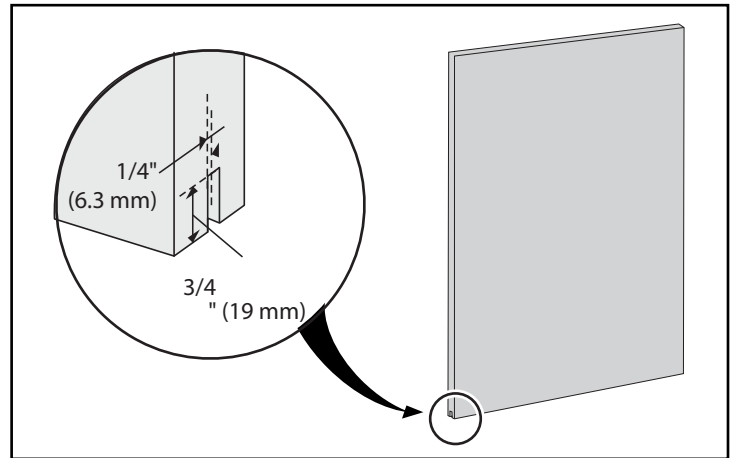
ASSEMBLY INSTRUCTIONS

Step 1. Door Preparation

Note, a second optional wall-mounted door guide has also been provided in this kit should you not wish to mortice your door.

Mortise 1/4" wide x 3/4" deep groove centrally to the bottom of the door for use with the floor-mounted door guide. This will ensure smoothness of door travel side-to-side and will prevent the door from swinging in and out.

If you prefer, you can also have your door morticed at the store you have purchased your door (typically, for an additional charge). See your store for details.

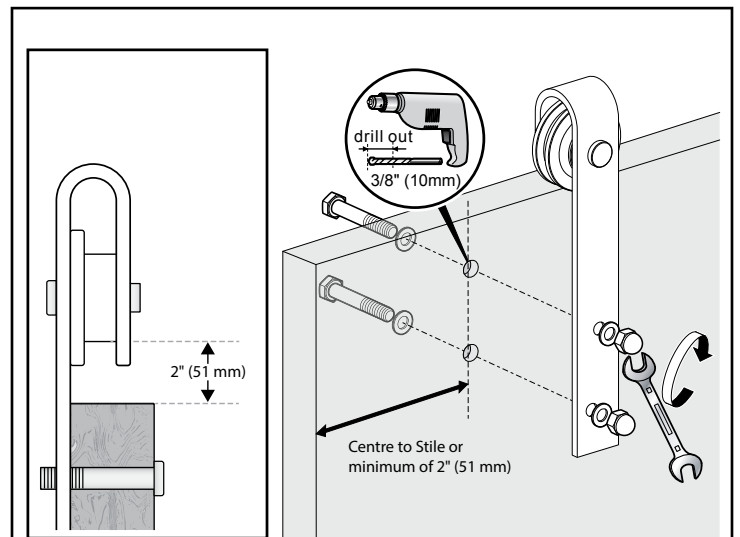


Step 2. Door Preparation – Strap Installation

Position each strap to the front of the door centre to the stile or a minimum of 2" from the edge of the door.

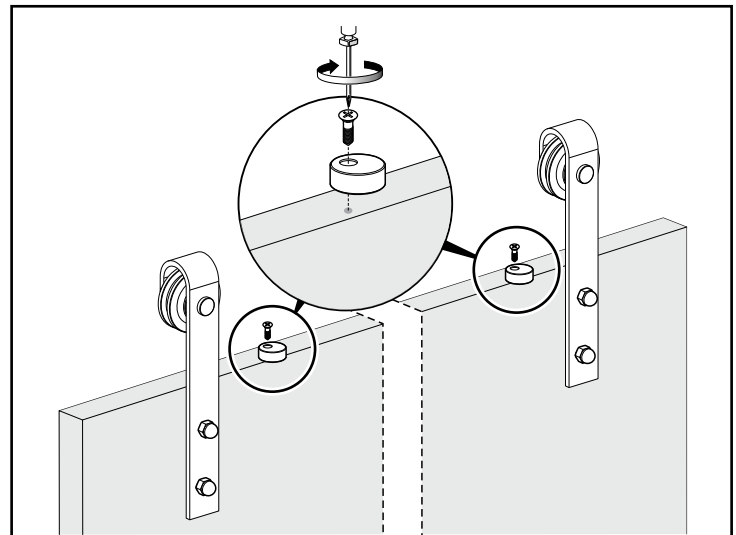
Cut a piece of cardboard 2" high and place between the wheel (inner groove) and the top of the door to correctly position the height of the straps.

Mark holes with a pencil and pre-drill 3/8" holes, then secure into place. Repeat for second strap.



Step 3. Door Preparation - Anti-jump block Installation

Position each anti-jump block at least 1" from the edge of the Straps. Tighten slightly to secure in place.



BARN DOOR HARDWARE KIT

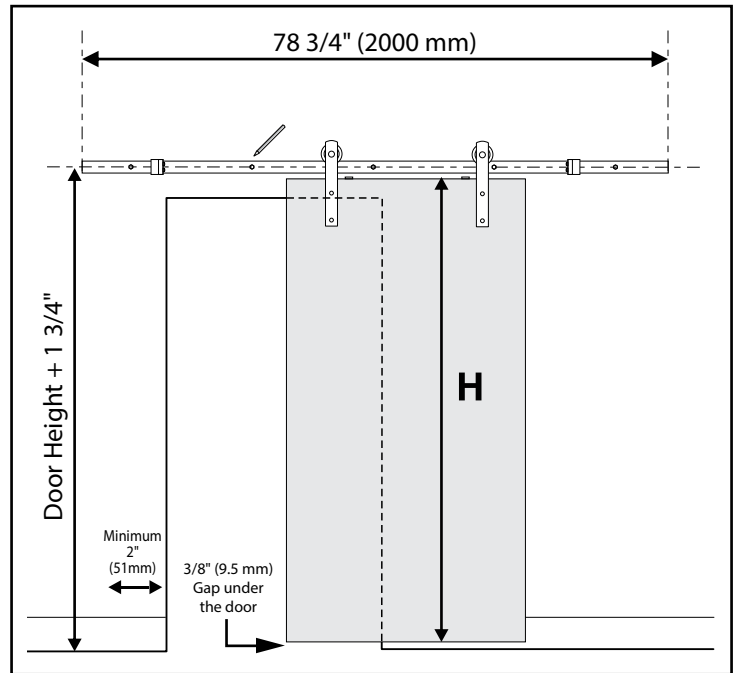
ASSEMBLY INSTRUCTIONS

Step 4. CONCRETE Wall Preparation

IF INSTALLING INTO DRYWALL – PLEASE PROCEED TO STEP 7.

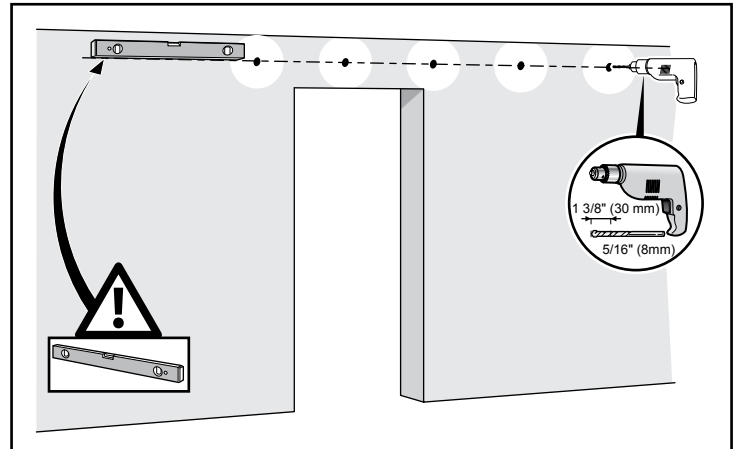
Position the rail by measuring up from the door height (H) + 1 3/4" to the centre of the track. Also ensure a gap of 3/8" at the bottom. Ensure the rail is level and leave a minimum of 2" from the end of the rail to the side of the opening (as shown).

If installing with an opening for 80" standard door size, remove the top trim and cut the side trim horizontally along the height of the opening.



Step 5. CONCRETE Wall Preparation

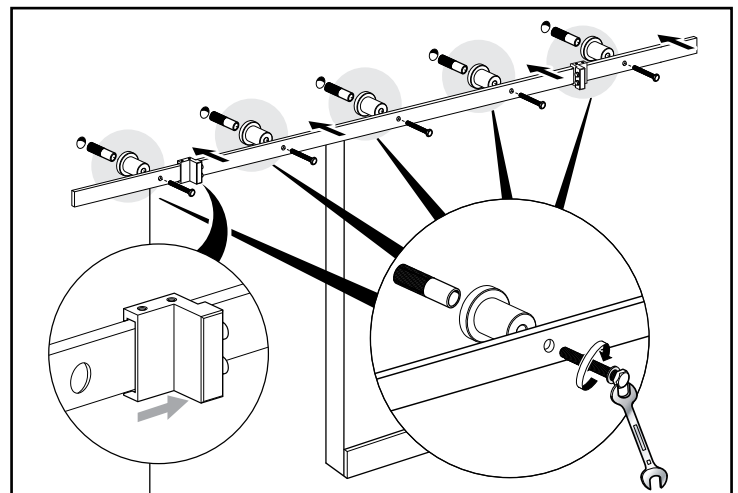
Position the rail in place ensuring that it is level, mark the holes on the rail using a pencil and pre-drill 5/16" holes into the concrete.



Step 6. CONCRETE Rail Installation

When installing directly into concrete, insert using the provided anchors and carriage bolts (with washers). Ensure to un-screw to separate the carriage bolt and anchor to install correctly, securing with a wrench.

Ensure to insert both stoppers either side of the rail inside the first hole.



BARN DOOR HARDWARE KIT

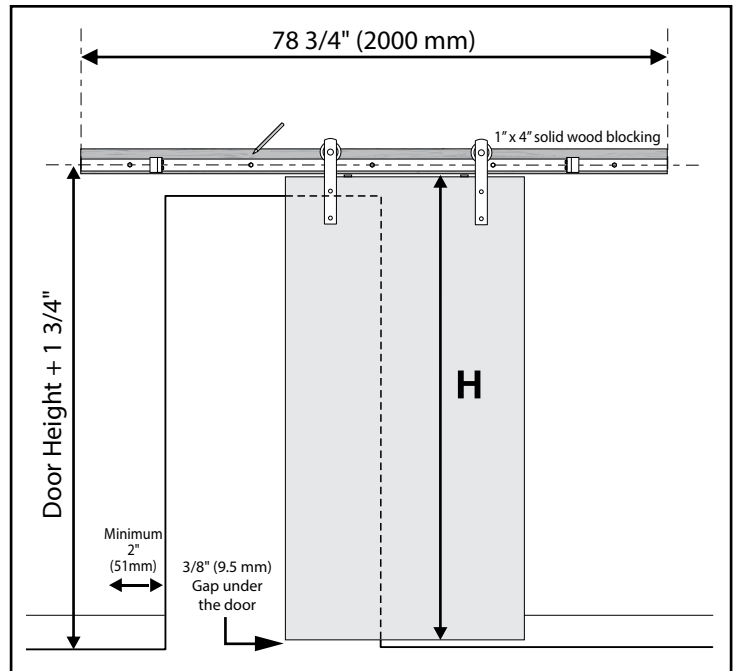
ASSEMBLY INSTRUCTIONS

Step 7. DRYWALL Wall Preparation

When installing into drywall, a piece of 1" x 4" solid wood blocking is required to be mounted to the wall before proceeding with the rail installation.

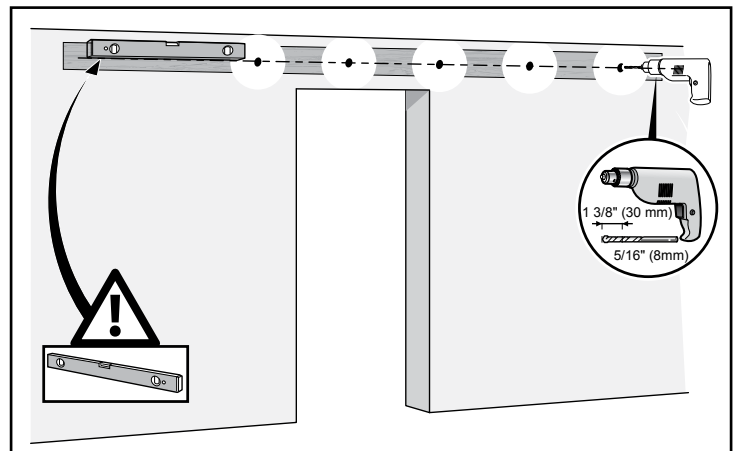
Position the solid wood blocking by measuring up from the door height (H) + 1 3/4" to the centre of the track. Also ensure a gap of 3/8" at the bottom. Lastly, ensure the solid wood blocking is level and leave a minimum of 2" from the end of the blocking to the side of the opening (as shown).

If installing with an opening for 80" standard door size, remove the top trim and cut the side trim horizontally along the height of the opening.



Step 8. DRYWALL Wall Preparation

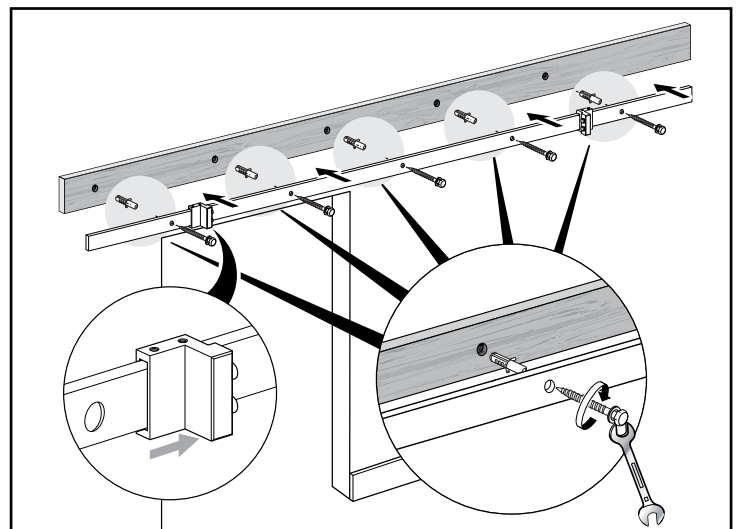
Position the rail on top of the wood blocking ensuring levelness, mark the holes using a pencil and pre-drill 5/16" holes into the wood blocking.



Step 9. DRYWALL Rail Installation

When installing into the solid wood block and wall, insert using the provided wall anchors and wall screws. Align each spacer to the rail holes, inserting anchors, spacers and bolts (with washers), securing with a wrench.

Ensure to insert both stoppers either side of the rail inside the first hole.

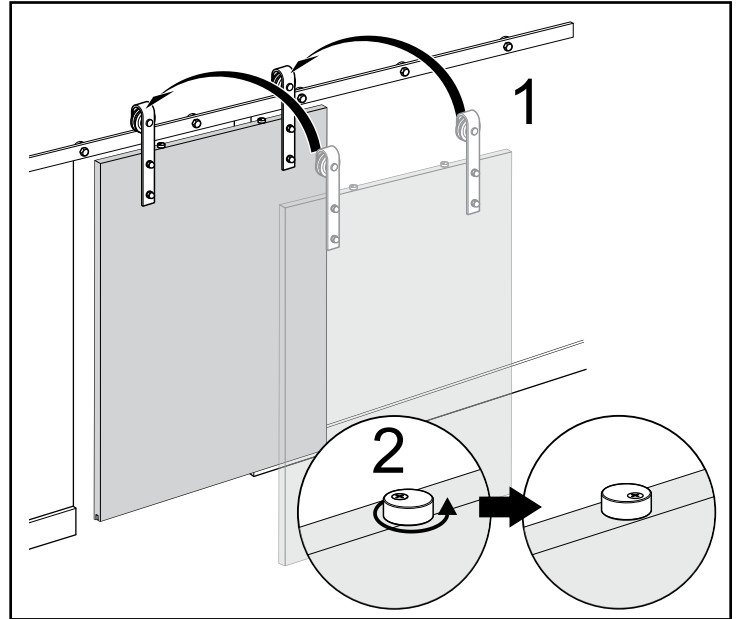


BARN DOOR HARDWARE KIT

ASSEMBLY INSTRUCTIONS

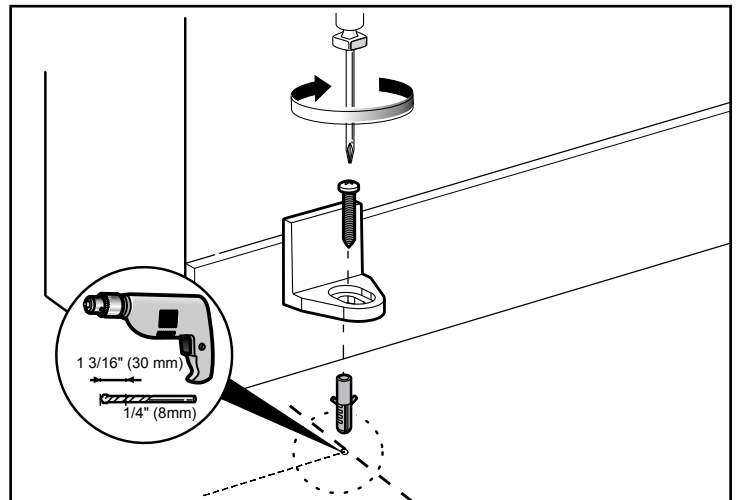
Step 10. Hanging the Door

Place the assembled door onto the secured rail and tighten each anti-jump block. Ensure all parts are operating correctly by sliding the door side-to-side.



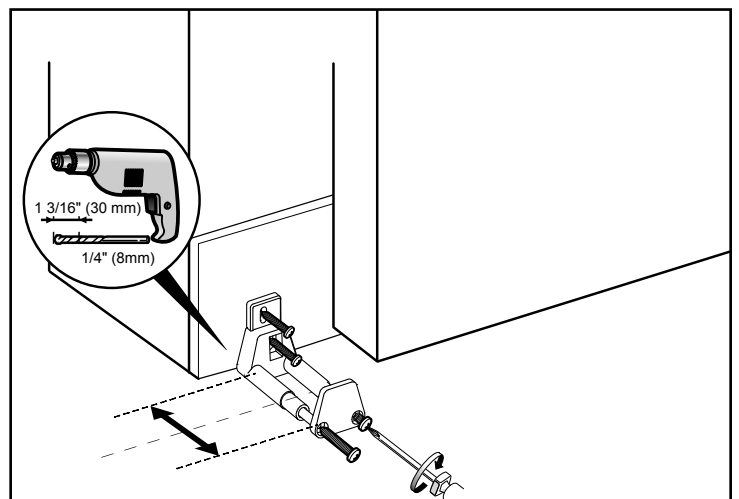
Step 11. Floor-Mounted Door Guide Installation

Once the door is plumb, position the floor-mounted door guide inside the morticed door, line up close to the opening. Slide the door side-to-side to ensure functionality for final placement then mark holes with a pencil and pre-drill 1/4" holes. If drilling directly into a concrete floor, use the provided anchors.



Step 12. OPTIONAL Wall-Mounted Door Guide Installation

Line up close to the opening, position and secure the wall-mounted door guide directly into the wall or trim, extending the guide as necessary to allow the door to travel side-to-side. Tighten to secure in place.



BARN DOOR HARDWARE KIT

ASSEMBLY INSTRUCTIONS

Step 13. Stopper Installation

Slide the door closed and to correct position of both stoppers. Using the provided Allen key, tighten into position to complete the installation of the Barn Door Kit.

