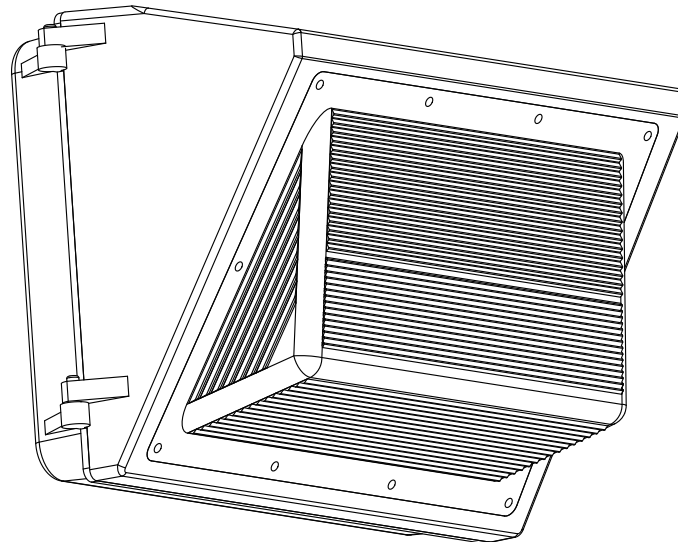


USE AND CARE GUIDE

LED 14IN WALL PACK



Questions, problems, missing parts?
Call ETi SSL Customer Service
8:30 a.m. – 5 p.m., EST, Monday - Friday
1-855-ETI-SSL (1-855-384-7754)
www.etissl.com

THANK YOU

Thank you for purchasing our LED product.

Visit us online at www.etissl.com to see our full line of LED products. Thank you for choosing ETi SSL!

Table of Contents

Table of Contents.....	2
Safety Information.....	2
Limited Warranty.....	2
Pre-Installation.....	3
Tools Required.....	3
Package Contents.....	3
Hardware Included.....	3

Installation Instruction.....	4
Installation Instruction (continued).....	5
Maintenance Instruction.....	6
Environmental requirement.....	6
Product carried standard.....	6
Care and Cleaning.....	6
Troubleshooting.....	6

Safety Information



WARNING: Carefully read and understand the information given in this manual before beginning the assembly and installation. Failure to do so could lead to electric shock, fire, or other injuries which could be hazardous or even fatal.



WARNING: Ensure the electricity to the wires you are working on is shut off. Either remove the fuse or turn off the circuit breaker.



WARNING: Changes or modifications not expressly approved by the party responsible for compliance could void the user's authority to operate the equipment.



WARNING: For safety, installations can be wall mount only. Installation can only be conducted by the professional electrician, otherwise, there is a potential fire hazard.

NOTICE: Do not use this fixture with a dimmer switch.



WARNING: This equipment has been tested and found to comply with the limits for a Class B digital device, pursuant to Part 15B of the FCC Rules. These limits are designed to provide reasonable protection against harmful interference in a residential installation.

This equipment generates, uses and can radiate radio frequency energy and, if not installed and used in accordance with the instructions, may cause harmful interference to radio communications.

However, there is no guarantee that interference will not occur in a particular installation. If this equipment does cause harmful interference to radio or television reception, which can be determined by turning the equipment off and on, the user is encouraged to try to correct the interference by one or more of the following measures:

- Reorient or relocate the receiving antenna
- Increase the separation between the equipment and the receiver.
- Connect the equipment into an outlet on a circuit different from that to which the receiver is connected.
- Consult the dealer or an experienced radio/TV technician for help.

NOTICE: Minimum 75° supply conductors.

Limited Warranty

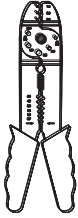
This product is warranted for a period of 5 years from the date of original purchase against defects in materials and workmanship. If this product should fail to operate due to defects in material or workmanship within 60 months of purchase, see www.etissl.com for details. This product will be repaired or replaced, at ETi's option. This warranty is expressly limited to repair or replacement of product and liability for direct, incidental, or consequential damages is hereby expressly excluded. Some states do not allow exclusions of direct, incidental or consequential damages so the above limitation of exclusion may not apply to you. This warranty gives the consumer specific legal rights, which vary from state to state. **WARRANTY IS VOID IF PRODUCT IS NOT USED FOR THE PURPOSE WHICH THIS PRODUCT IS MANUFACTURED.**

Pre-Installation



NOTE: Keep your receipt and these instructions for proof of purchase.

TOOLS REQUIRED



Wire Strippers



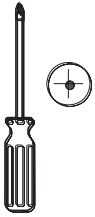
Safety Goggles



Ladder



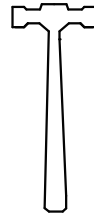
Gloves



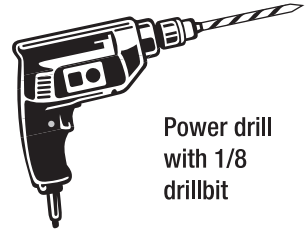
Phillips Screwdriver



Silicone sealant



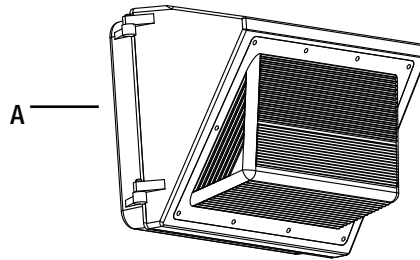
hammer



Power drill with 1/8 drillbit

PACKAGE CONTENTS

Part	Description	Quantity
A	LED 14in Wall Pack	1



HARDWARE INCLUDED



NOTE: Hardware not shown to actual size.

Part	Description	Quantity
AA	Mounting Screw (short)	4
BB	Screw stud	3
CC	Mounting Screw (long)	3
DD	Wire Connector	4
EE	Water joint	1



AA



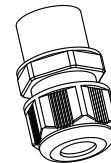
BB



CC



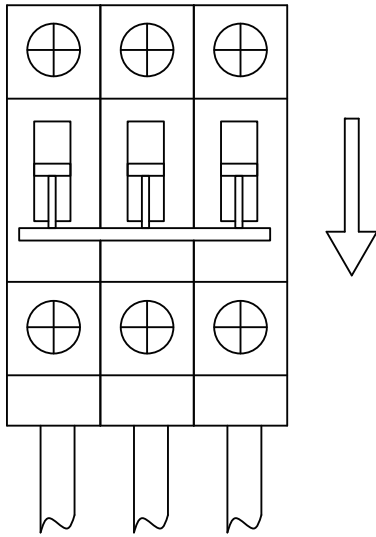
DD



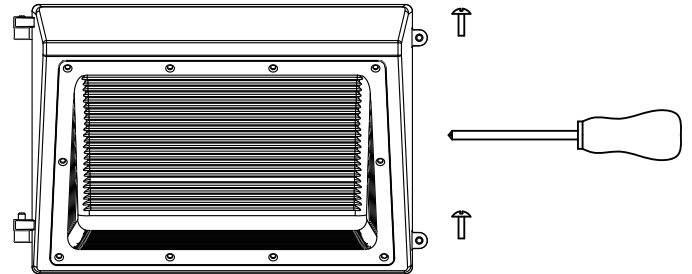
EE

Installation Instruction

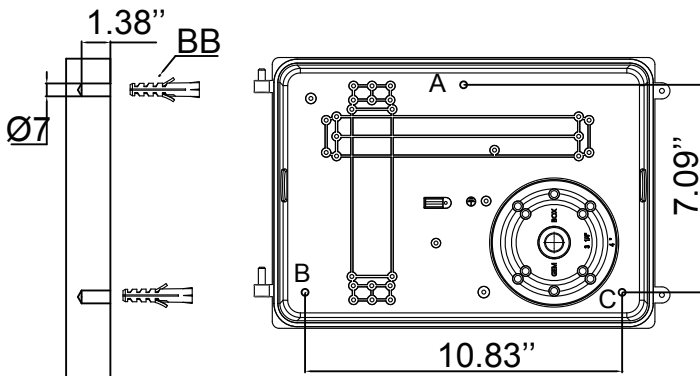
1 Turn off the power before installation



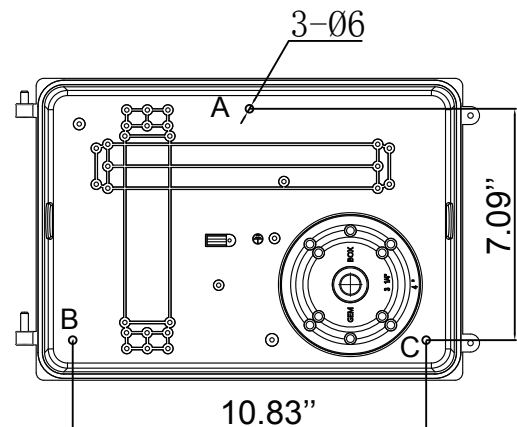
2 Remove the upper cover from fixture by dismounting 2 screws



3 Please drill 3 holes on the wall, correspond A, B, C position on the base plate

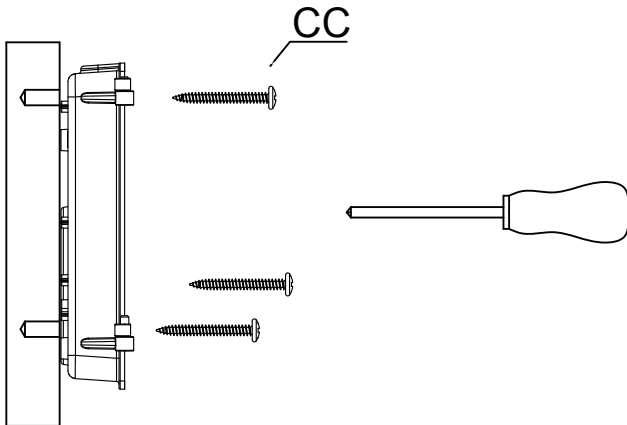


4 Drill the holes on the base plate, according to A, B, C position

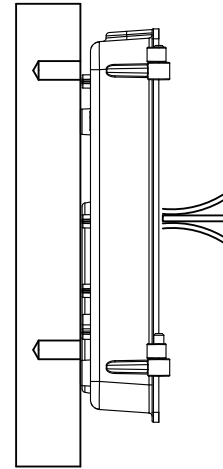


Installation Instruction (continued)

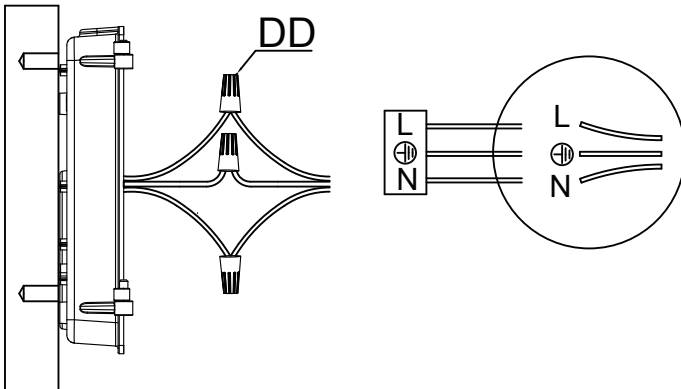
5 Install the base plate on the wall by fixing 3 screws



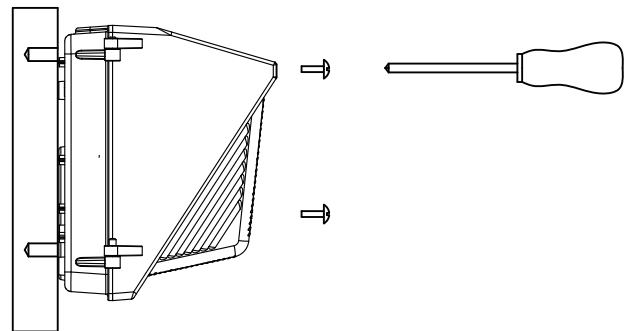
6 Put the cables from the wall through the conduit entry point, seal any gaps around the conduit entry point.



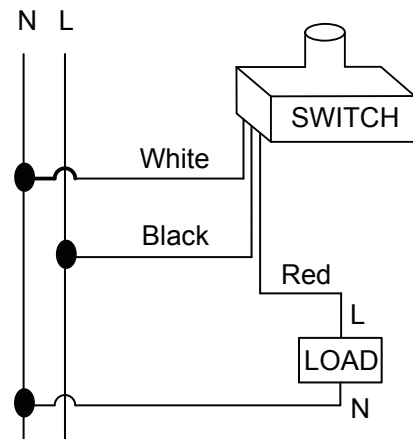
7 Connect the cables according to drawing. Hang the upper cover over the base plate, connect the driver output and optic input with fast connector.



8 Put back the upper cover on the base plate and fixing two screws



NOTE: This wall pack is compatible for photocell, and pls contact ETI for separate purchase, the ETI brand's model number is PE-MV-01. Below is the wire diagram for your reference.



Maintenance instruction

- 4.1 Do Not use volatile solvent such as alcohol to clean the troffer.
- 4.2 Use soft cotton cloth with suds to clean the troffer .
- 4.3 Non-professional Do not attempt to take apart and repair the troffer .
- 4.4 Please use the constant-current driver exclusively adaptive to the troffer, do not change the driver without permission .

Environment requirement

Operating temperature: -4 °F~113 °F.

Product carried standard

UL1598

Care and Cleaning



CAUTION: Before attempting to clean the fixture, disconnect the power to the fixture by turning the breaker off or removing the fuse from the fuse box.

Clean the fixture with a soft, dry cloth.
Do not use any cleaners with chemicals, solvents, or harsh abrasives.

Troubleshooting

Problem	Possible Cause	Solution
The fixture will not light.	The power is off.	Ensure the power supply is on.
	The circuit breaker is off.	Ensure the circuit breaker is in the on position.
The fuse blows or the circuit breaker trips when the light is turned on.	The wires are crossed or the power wire is grounding out.	Check the wire connections. Contact a qualified electrician or call the Customer Service Team at 1-855-384-7754.



Questions, problems, missing parts?
Call ETi SSL Customer Service
8:30 a.m. – 5 p.m., EST, Monday - Friday
1-855-ETI-SSL (1-855-384-7754)
www.etissl.com

Retain this manual for future use.

rev. 2017.07.19

Imported by
ETi Solid State Lighting, Inc.
The Americas Headquarters
720 Corporate Woods Parkway
Vernon Hills, IL 60061

Made in China