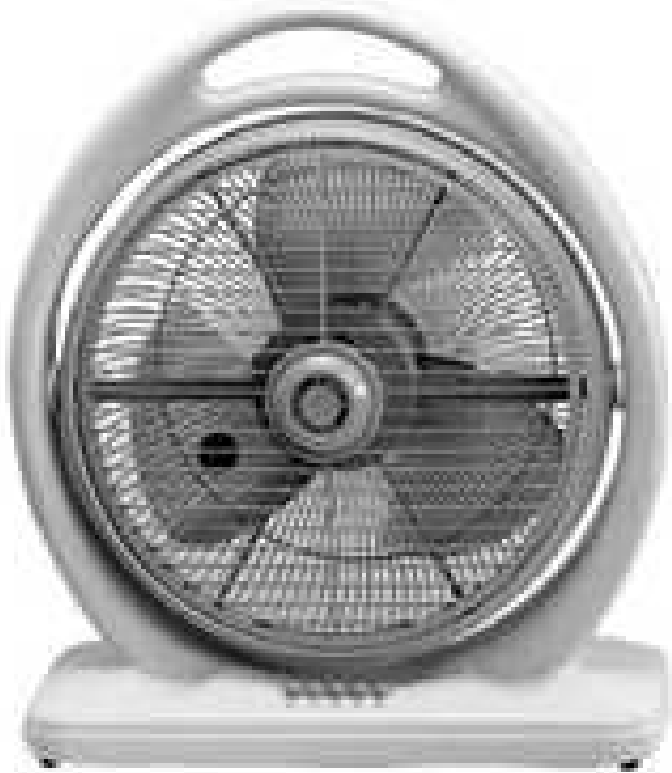


## Owner's Manual



### Fan

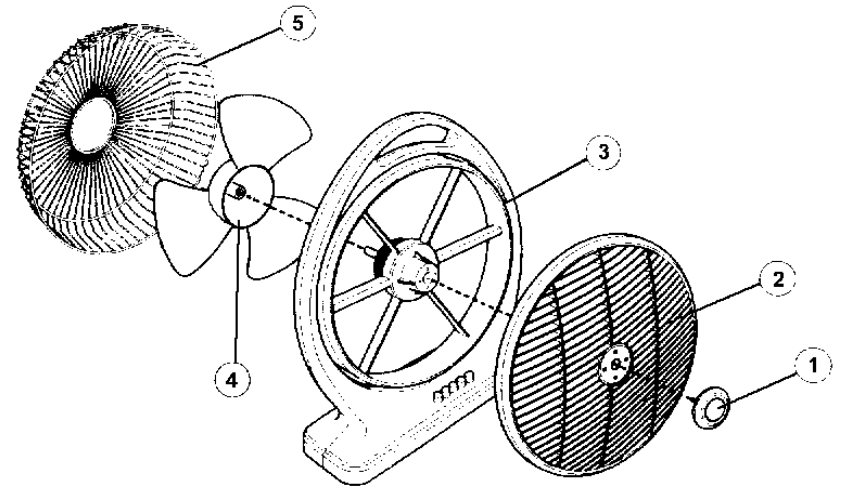
Model SF-1413



## INTRODUCTION

Thank you very much for your purchasing the SUNPENTOWN Fan. Please read the instructions carefully and keep for future reference.

## STRUCTURE



- 1. Louver cap
- 3. Main body
- 5. Grille

- 2. Louver
- 4. Fan blade

## SETUP

Your Fan was thoroughly inspected and tested at the factory prior to packaging. Visually inspect it upon removal from its packaging. Return the unit if it shows any signs of damage or mishandling.

**WARNING:** To avoid fire or shock hazard, the Fan should ONLY be plugged into a polarized 120 Volt AC outlet.

## IMPORTANT SAFETY INSTRUCTIONS

Please read all instructions before using this product. Save these instructions for easy reference. When using electrical appliances, basic precautions should always be followed to reduce breakage, risk of fire, electric shock and injury to persons including the following:

- I Do not use the fan outdoors.
- I Never use the fan unless it is fully assembled.
- I Do not use the fan under the following conditions: 1) High temperature of over 104F. 2) High humidity. 3) Steam filled room.
- I Do not push finger or any object through the louver or grille and do not touch the fan blade during use; especially be aware children and infants around during use.
- I Take care that curtains or other objects are not sucked into the fan during operation.
- I Do not spray the fan with insecticide, which will damage the surface of the fan.
- I The fan has a polarized plug (one blade is wider than the other). To reduce risk of shock, this plug is intended to fit in a polarized outlet only one way. If the plug does not fit fully in the outlet, reverse the plug. Do not attempt to defeat this safety feature.
- I Unplug from wall outlet before servicing.

## OPERATION

---

The control buttons are marked as follows:

0 = OFF

1 = Low fan speed

2 = Medium fan speed

3 = High fan speed

⊙ = Louver rotation

## CLEANING THE UNIT

1. Turn Fan OFF and unplug from power outlet.
2. Turn the Louver cap counter-clockwise. You will now be able to remove the cap.
3. Remove the four (4) screws that secure the louver.
4. Remove the three (3) screws that secure the grille.
5. Clean unit with a moistened soft cloth only. **DO NOT** pour or splash water on the unit or use any abrasive cleaners. Clean all external surfaces, especially the louver, grille and fan blade.
6. Reassemble the fan completely. **Never use the fan unless it is fully assembled.**

## TECHNICAL SPECIFICATIONS

---

Length	7.9 inch
Width	18.5 inch
Height	22.1 inch
Weight	9.3 lb
Input voltage	120 volts AC, 60Hz

## CUSTOMER ASSISTANCE LINE

---

If you experience a problem, please see the warranty for information. Please **DO NOT** attempt to repair this unit yourself. Doing so will void your warranty and could cause damage to the fan or personal injury to yourself. If you have any questions concerning this appliance, please call:

**1-626-581-1818**

## **YOUR GUARANTEE**

---

If this product is found to be faulty as a result of faulty materials or workmanship within 1 year from date of purchase, it will be repaired or replaced free of charge.

This guarantee is subject to the following terms:

1. Sunpentown must be notified of the fault.
2. Proof of purchase must be presented to Sunpentown's nominated representative.
3. The warranty will be void if the product is modified, misused or repaired by an unauthorized person.
4. The guarantee after repair or replacement will not be extended beyond the original one-year period.
5. All replacement parts or units will be new or reconditioned.
6. Parts or units, which are replaced, become the property of Sunpentown.
7. The warranty applies for the use of the product in the USA.
8. Warranty does not include freight charges.

This GUARANTEE is in addition to your Statutory Rights.

Please keep this warranty for your record. **DO NOT** return it.



**SUNPENTOWN INTERNATIONAL INC.**


使用手冊

 **SUNPENTOWN**

14"箱扇

型號：SF-1413

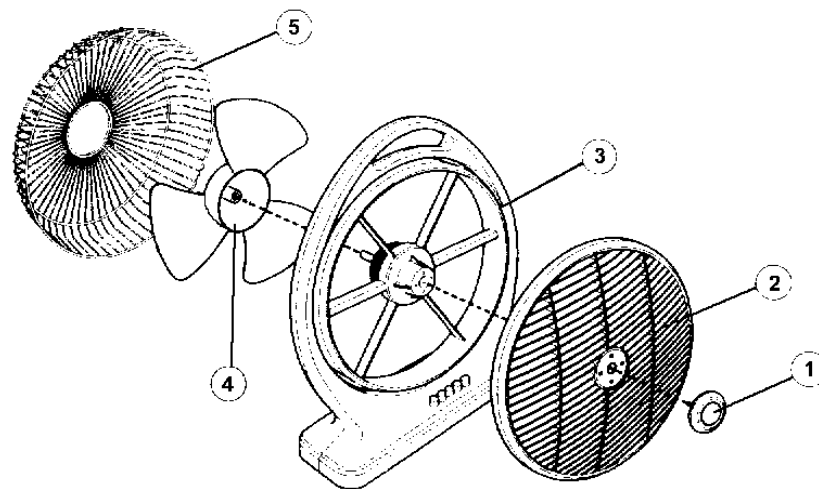


 尚朋堂股份有限公司

## 簡介

謝謝您選用尚朋堂電扇。使用前請詳閱本說明書，閱畢後將之妥善的保存以便日後參閱。

## 構造說明



1. 轉盤蓋
3. 本體
5. 後網

2. 轉盤
4. 扇葉

## 測試

您的電扇在出廠前均經過嚴格的品質管制及測試。若有任何運轉或操作不良的狀況，請立即退回修理。

**注意：**為避免危險，本電扇只可使用於 AC 120 V 之插座。

## 重要安全指示

---

使用前請詳閱本說明書，閱畢後將之妥善的保存以便日後參閱。為避免損壞機體、造成火災、觸電或傷及人員。請依循下列之重要安全指示使用本電扇：

- | 請勿在室外使用。
- | 在所有零件未完全安裝時，請勿使用。
- | 請勿使用於下列環境： 1)溫度高於 104F 2)高溼度的環境 3)蒸氣充滿室內
- | 請勿在易燃的氣體或蒸氣附近使用。
- | 運轉時，請勿將手指或異物伸入轉盤或後網內，勿碰觸扇葉，尤其需特別防範兒童發生此類危險。
- | 請勿讓異物經由出風口或入風口進入機體。
- | 請勿噴灑殺蟲劑於機體表面上，否則將破壞機體表面。

## 操作

---

本電扇的基本操作如下

- 0 = 關
- 1 = 低速
- 2 = 中速
- 3 = 高速
- ⊙ = 轉盤旋轉

## 清潔保養

---

1. 關掉電源並將插頭拔離插座。
2. 將轉盤蓋逆時針方向旋轉，取下轉盤蓋。
3. 將轉盤中央的四支螺絲鬆開，取下轉盤。
4. 將固定後網的三支螺絲鬆開，取下後網。
5. 以一柔軟濕布擦拭機體。切勿將水直接沖於機體上或使用具侵蝕性的清潔劑。仔細清潔機體表面，特別是轉盤、後網及扇葉。
6. 清潔過後，裝上所有的零件，並繼續使用。**未完全裝配完畢之前，請勿使用本電扇。**

## 規格尺寸

---

機身長	7.9 inch
機身寬	18.5 inch
機身高	22.1 inch
重量	9.3 lb
適用電壓	120 volts AC, 60Hz

## 顧客服務電話

---

若產品損壞，請與服務人員聯絡，由專人為您維修。請勿嘗試自行維修，否則易造成產品的進一步損壞，甚至對人體造成傷害。

若對本產品有任何疑問，顧客服務電話為：

**1-626-581-1818**

您的保證卡：

自購買日起一年內免費維修，條件如下：

1. 提出尚朋堂認可經銷商的發票。
2. 產品若遭改裝，不當使用或經未認可人員修理，則保證無效。
3. 保證期內的修理不延長原保證期限。
4. 保證只限美國本土使用。
5. 保證不含送修運費。

敬愛的貴客，請保留此卡不要寄回