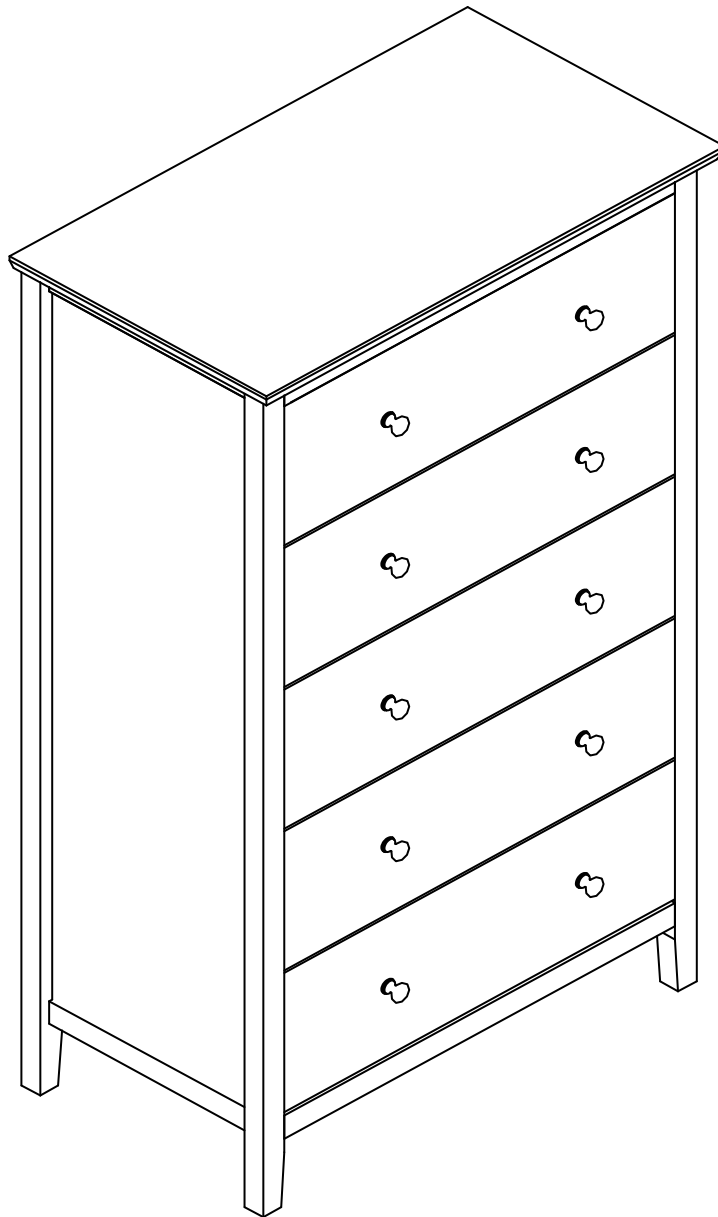


ASSEMBLY INSTRUCTIONS



WARNING!

Serious or fatal injuries can occur from furniture tip over. Use tip over restraint (steel band included) to secure this product to the wall.

Description : BROOKLYN 5 DRAWER CHEST
Item No. : BD-8005

BEFORE ASSEMBLY

Thank you for purchasing this quality product. This product has been designed for easy assembly and constructed for durability. All parts were checked prior to packaging to insure quality. Prior to beginning assembly, however, make sure all parts and hardware are included and free of obvious defect. If a part is missing or defective, please contact the store where purchased. If hardware is missing, or you need help with assembly, please call toll free 888-944-8396.

IMPORTANT NOTE:

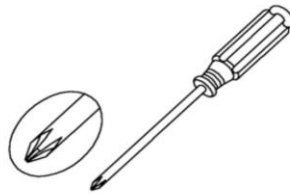
- Place all wooden parts on a clean and smooth surface such as a rug or carpet to avoid the parts from being scratched.
- Remove all wrapping material, including staples & packing straps before you start to assemble.
- DO NOT tighten all screws and bolts until completely assembled.
- Keep all hardware parts out of reach of children.

WARNING:

Long exposure to rubber or soft plastic may cause a chemical reaction and damage the finish of your product. Protect the surface of the product with cloth if you are using any product with rubber feet or base.

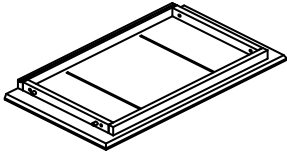
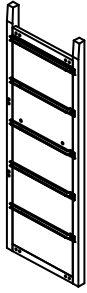
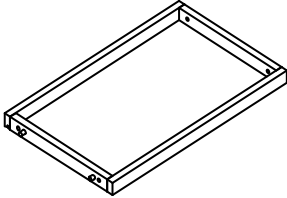
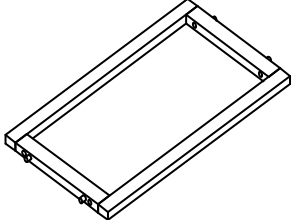
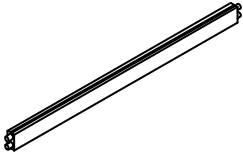
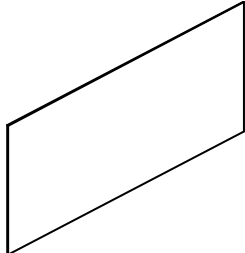
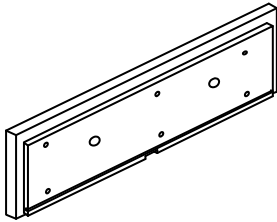
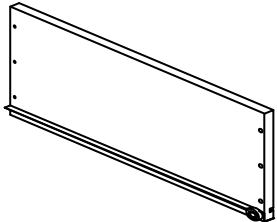
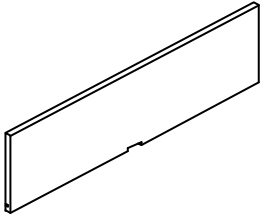
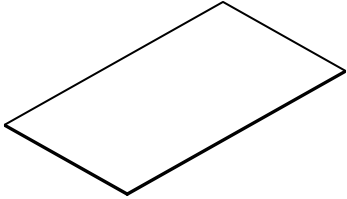
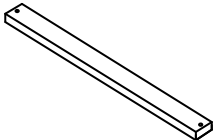
ASSEMBLY TOOLS REQUIRED

NOT INCLUDED



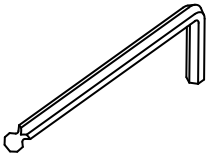
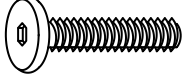


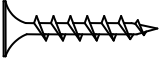

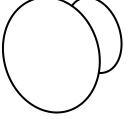
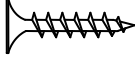
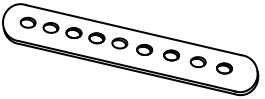
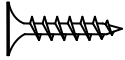
PART LIST

When unpacking, please be careful not to discard any parts with the packaging. Before continuing, please make sure you have the following parts:

NO	Description	Qty	Sketch	NO	Description	Qty	Sketch
A	Top	1		B	Side panel (L-R)	2	
C	Bottom panel	1		D	Center panel	1	
E	Back rail	2		F	Back panel	3	
G	Drawer front	5		H	Drawer side (L-R)	10	
I	Drawer back	5		J	Drawer bottom	5	
K	Support bar	5					

HARDWARE LIST

When unpacking, please be careful not to discard any parts with the packaging. Before continuing, please make sure you have all of the following hardware:

NO	Description	Qty	Sketch	NO	Description	Qty	Sketch
1	Allen key (M4 x 30mm x 110mm)	1		2	Bolt (M6 x 30mm)	12	
3	Spring washer (Φ6.5 x 11mm)	12		4	Flat Washer (Φ6.5 x 13mm)	12	
5	Long screw (M4 x 35mm)	66		6	Pan head screw (M4 x 30mm)	10	
7	Wooden knob (Φ30 x 30mm)	10		8	Medium screw (M4 x 30mm)	10	
9	Steel band	2		10	Short screw (M3 x 15mm)	4	

NOTE: WARNING LABEL (INCLUDED)



WARNING

Serious or fatal crushing injuries or can occur from furniture tipover. To help prevent tip-over:

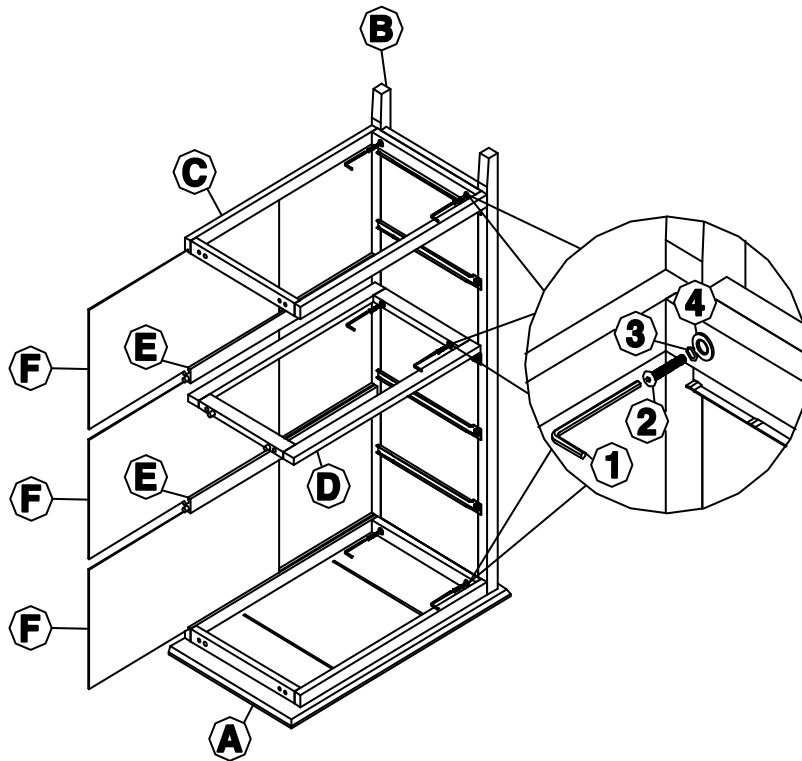
- . Install tipover restraint provided.
- . Place heaviest items in the lowest drawers.
- . Unless specifically designed to accommodate do not set TVs or other heavy objects on top of this product.
- . Never allow children to climb or hang on the drawers, doors or shelves.
- . Never open more than one drawer at a time.

Use of tipover restraints may only reduce, but not eliminate, the risk of tipover.

This is permanent label. Do not remove.

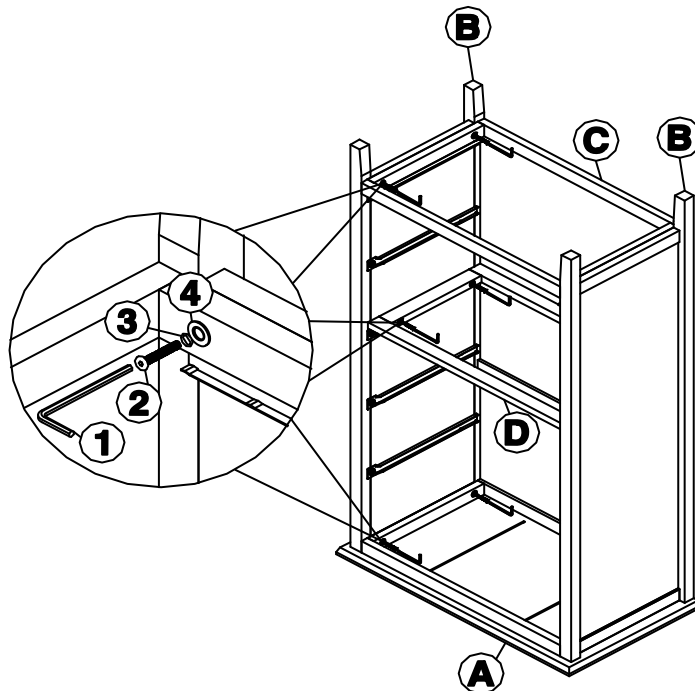
STEP 1

Attach top (A), and center panel (D) and bottom panel (C) to side panel (B) with bolts (2), and washers (3) and (4) as shown below. Tighten with Allen key (1).
Slide back panels (F) and back rails (E) into the grooves as shown below.



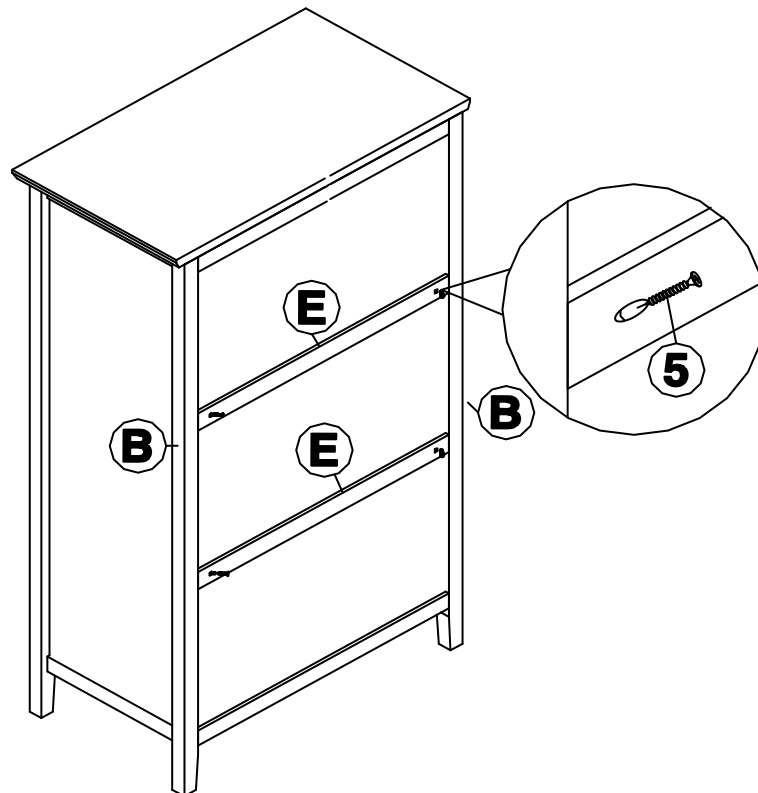
STEP 2

Attach bottom panel (C), and center panel (D) and top (A) to the other side panel (B) with bolts (2), and washers (3) and (4) as shown below. Tighten with Allen key (1).



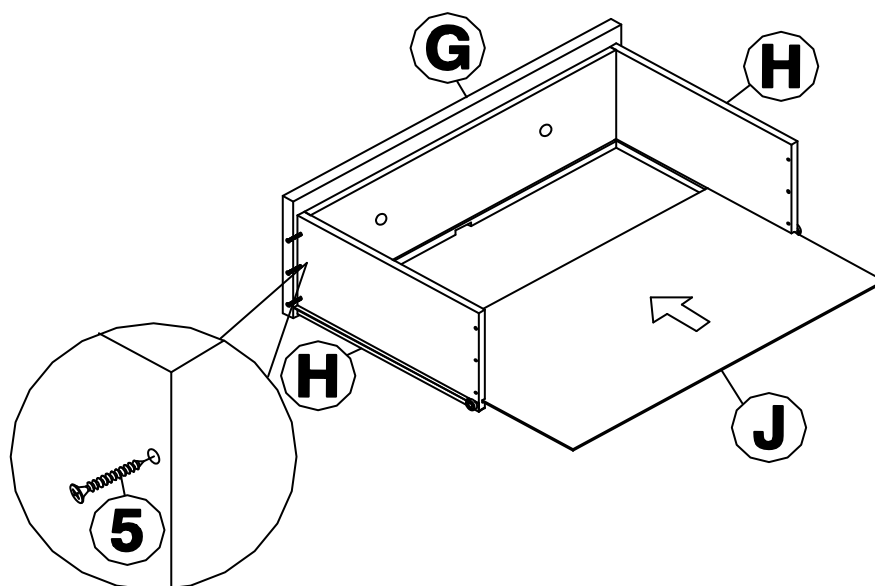
STEP 3

Attach back rails (E) to side panels (B) with screws (5) as shown below. Tighten with a screwdriver.



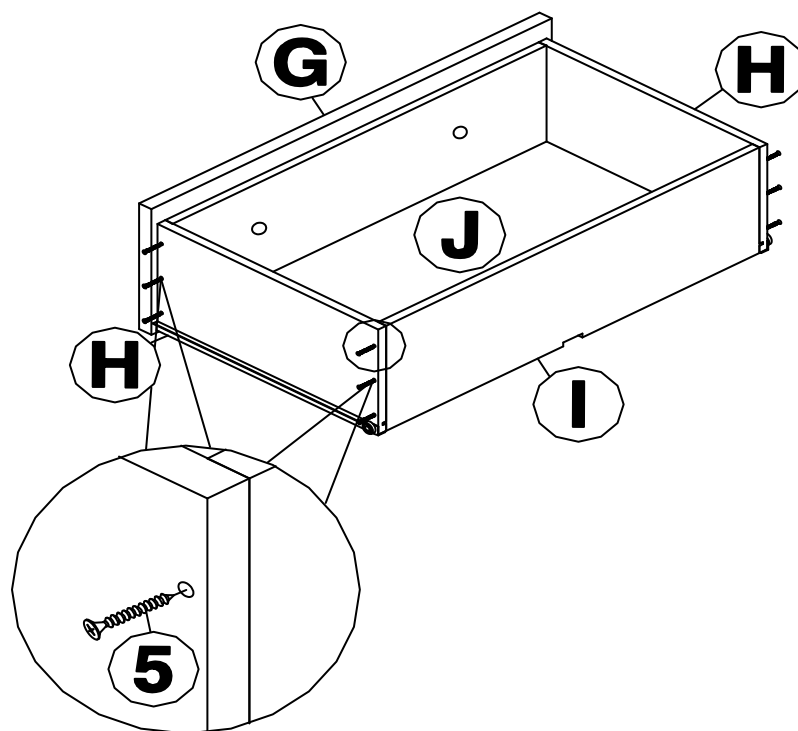
STEP 4

Attach drawer sides (H) to drawer front (G) with screws (5) as shown below. Tighten with a screwdriver. Insert drawer bottom (J) into the grooves at bottom of drawer sides (H) and drawer front (G) as shown below.



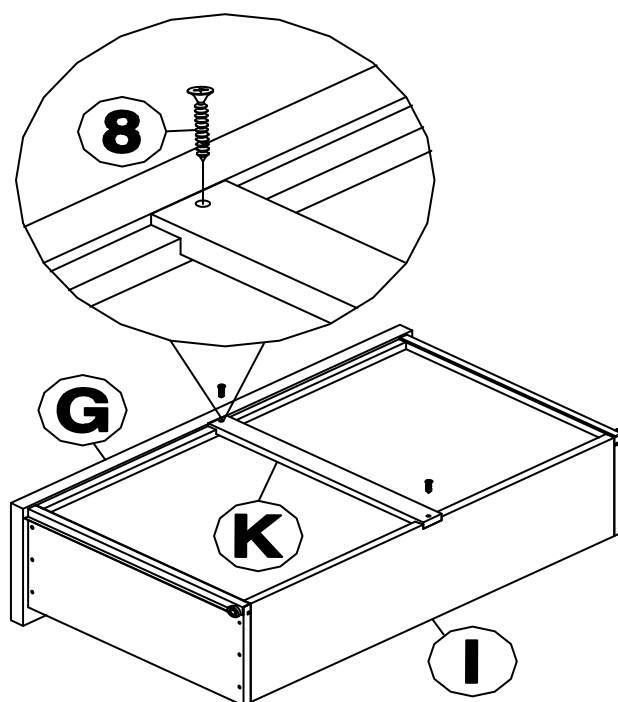
STEP 5

Attach drawer back (I) to drawer sides (H) with screws (5) as shown below. Tighten with a screwdriver.



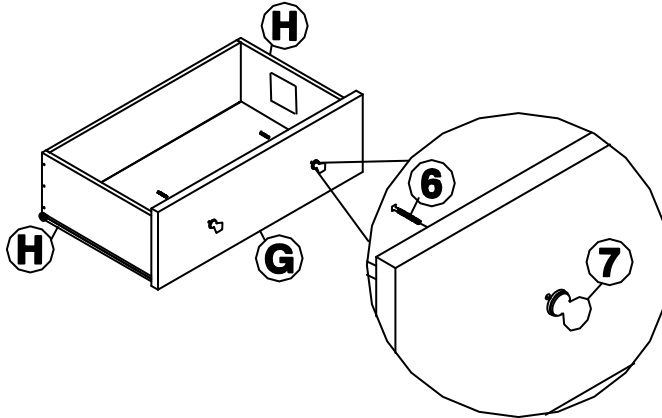
STEP 6

Attach support bars (K) to bottom of drawers with screws (8) as shown below. Tighten with a screwdriver.



STEP 7

Attach knobs (7) to front of drawers with pan head screws (6) as shown below. Tighten with a screwdriver. Carefully put the drawers into the unit.



STEP 8

Attach steel bands (9) to the unit with screws (10) as shown below. (to secure the product to the wall and reduce the risk of tipping over).

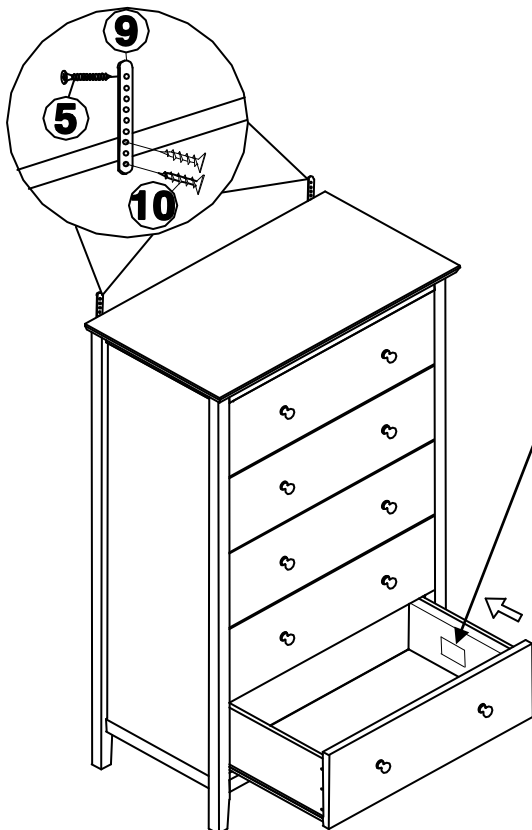
Important!

Properly attach steel bands (9) to the wall in an area of **drywall or plaster with a wood stud:**

Mark the attachment point(s) with a pencil at the appropriate height **positioned over the wood stud(s) in the wall.**

Drill 1/8-inch (3mm) diameter hole(s) into the wood stud(s) located in the wall, where you marked with the pencil.

Properly attach steel bands to the wall with screws (5) and tighten screw(s) firmly into the wall.



WARNING

Serious or fatal crushing injuries or can occur from furniture tipover. To help prevent tipover:

- . Install tipover restraint provided.
- . Place heaviest items in the lowest drawers.
- . Unless specifically designed to accommodate do not set TVs or other heavy objects on top of this product.
- . Never allow children to climb or hang on the drawers, doors or shelves.
- . Never open more than one drawer at a time.

Use of tipover restraints may only reduce, but not eliminate, the risk of tipover.

This is permanent label. Do not remove.