

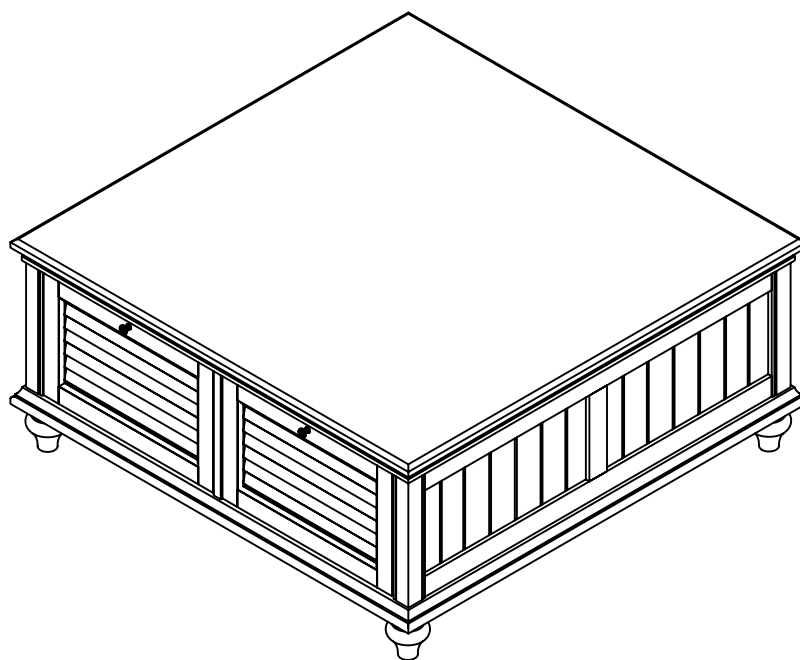
HOME DECORATORS COLLECTION

1002960537 1002960536
1002960555 1002960554

SK19030R2 HAMILTON COFFEE TABLE 18"Hx40"Wx40"D

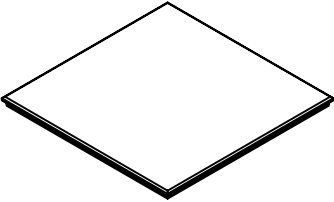
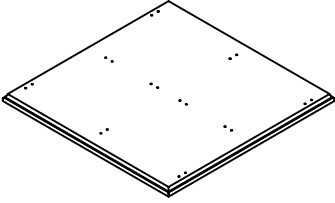
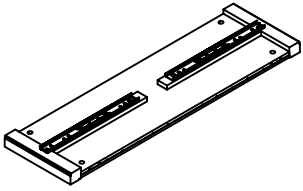
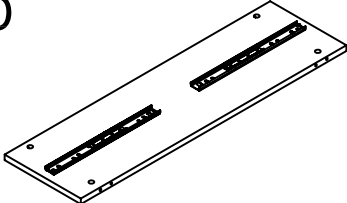
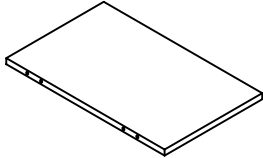
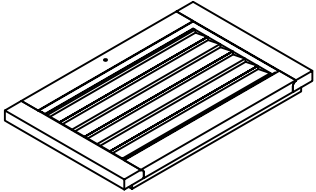
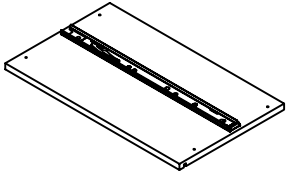
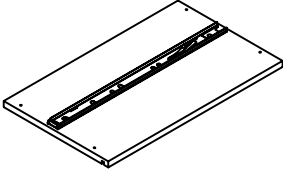
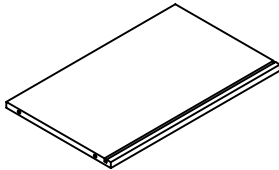
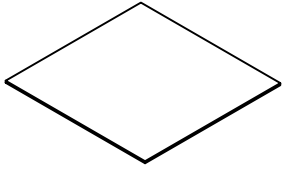


ASSEMBLY INSTRUCTIONS

Made In China



Thank you for purchasing this quality product. Be sure to check all packing material carefully for small parts, which may have come loose inside the carton during shipment. Count all parts and material hardware, then compare with parts list to be sure all parts are present. If any parts are missing or damaged, phone, fax, or mail to our Customer Service Department for efficient and speedy service. Please indicate the model number and code letter of part(s) needed.

IMPORTANT NOTE: Follow instructions listed below in proper sequence as numbered to assure fast, easy and correct assembly.

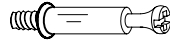
PARTS LIST		
A 	B 	C 
TOP PANEL-1PC	BOTTOM PANEL-1PC	SIDE PANEL-2PCS
D 	E 	F 
LARGE PARTITION-1PC	SMALL PARTITION-1PC	DRAWER FRONT PANEL -4PCS
G 	H 	I 
DRAWER LEFT SIDE PANEL -4PCS	DRAWER RIGHT SIDE PANEL -4PCS	DRAWER BACK PANEL -4PCS
J 	K 	L 
DRAWER BOTTOM PANEL-4PCS	BALL FOOT-4PCS	MIDDLE FOOT-1PC

a



WOOD DOWEL-20PCS

b



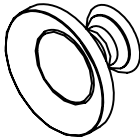
CAM
LOCK BOLT-20PCS

c



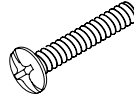
CAM LOCK-20PCS

d



KNOB-4PCS

e



KNOB BOLT-4PCS

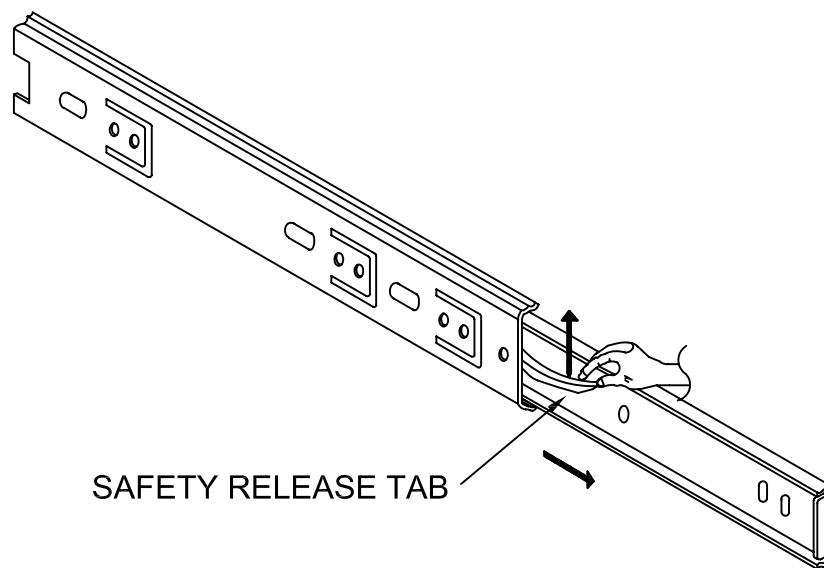
f



1"L FLAT
HEAD SCREW-32PCS

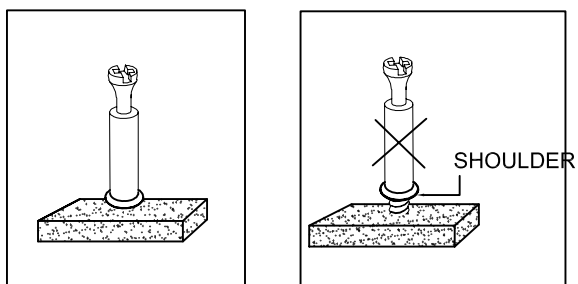
NOTE:THE SURFACE WITH THE STICKER IS THE BACK SIDE

HOW TO SEPARATE GLIDES



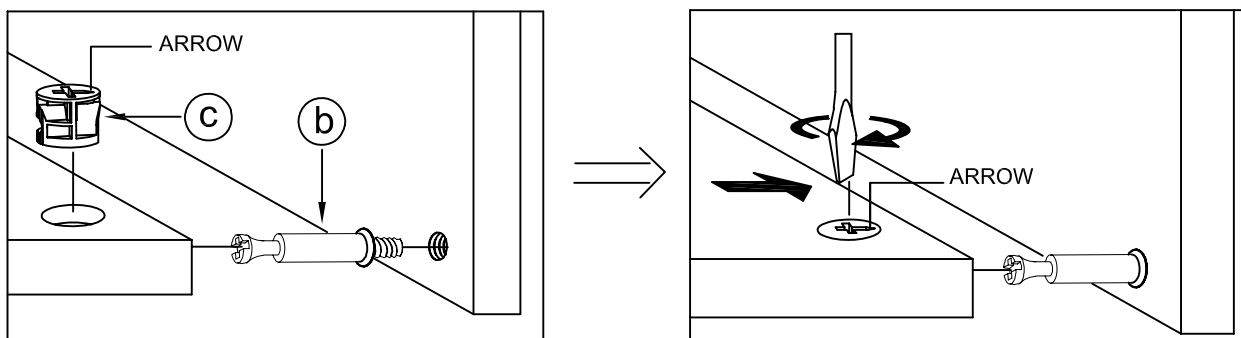
PRIOR TO ASSEMBLY, WE SUGGEST SEPARATING THE INNER GLIDES FROM THE OUTER-GLIDES, SIMPLY PULL THE LEFT/RIGHT INNER GLIDES FROM THE OUTER GLIDES EXPOSING A SMALL BLACK SAFETY RELEASE TAB, BY PUSHING THE SAFETY RELEASE TAB. YOU WILL BE ABLE TO SEPARATE THE GLIDES.

NOTE: • UPON OPENING, THOROUGHLY CLEAN ALL WOOD SURFACES TO REMOVE DUST AND DIRT THAT MAY HAVE SETTLED ONTO THE FINISH DURING SHIPMENT. IN ORDER TO PREVENT DAMAGE DURING ASSEMBLY. PLEASE ASSEMBLE THIS ITEM WITH AT LEAST TWO PEOPLE.



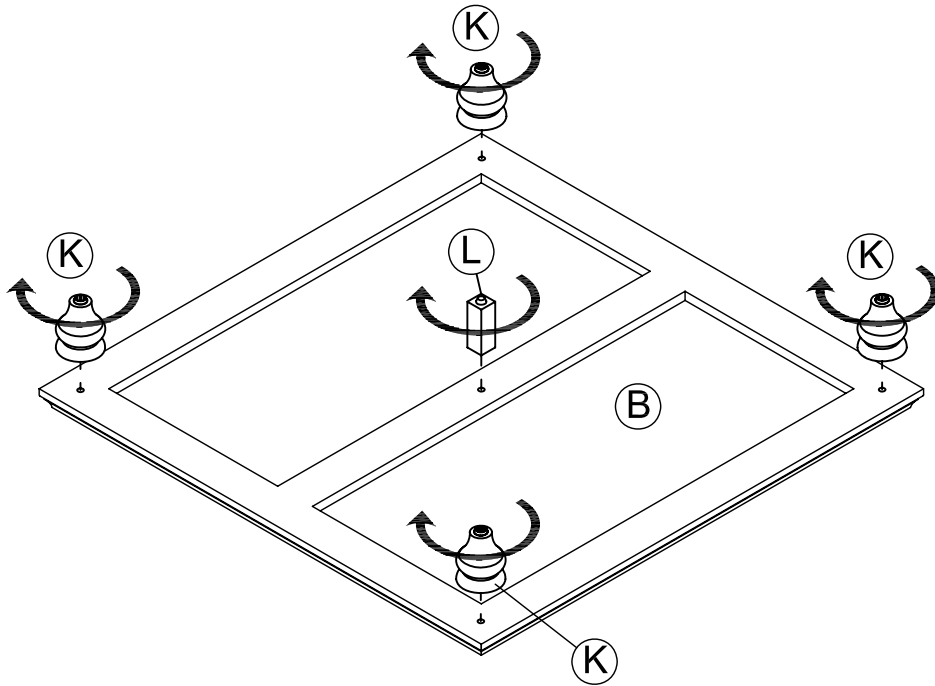
NOTE: TURN THE CAM-BOLT SCREWS UNTIL THEY ARE TIGHT, THE SHOULDER SHOULD BE AGAINST THE SURFACE OF THE PART.

HOW TO USE THE CAM-TOOL



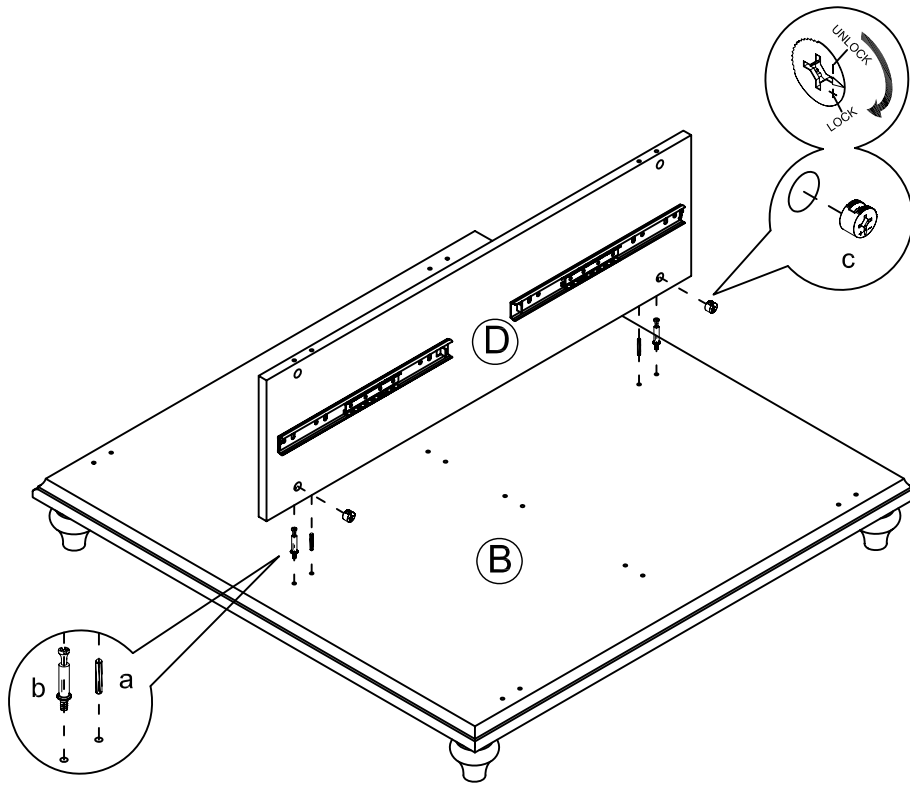
NOTE: • THE ARROWS ON THE HIDDEN CAM-LOCKS SHOULD POINT TO THE CAM-BOLTS.

FIG 1



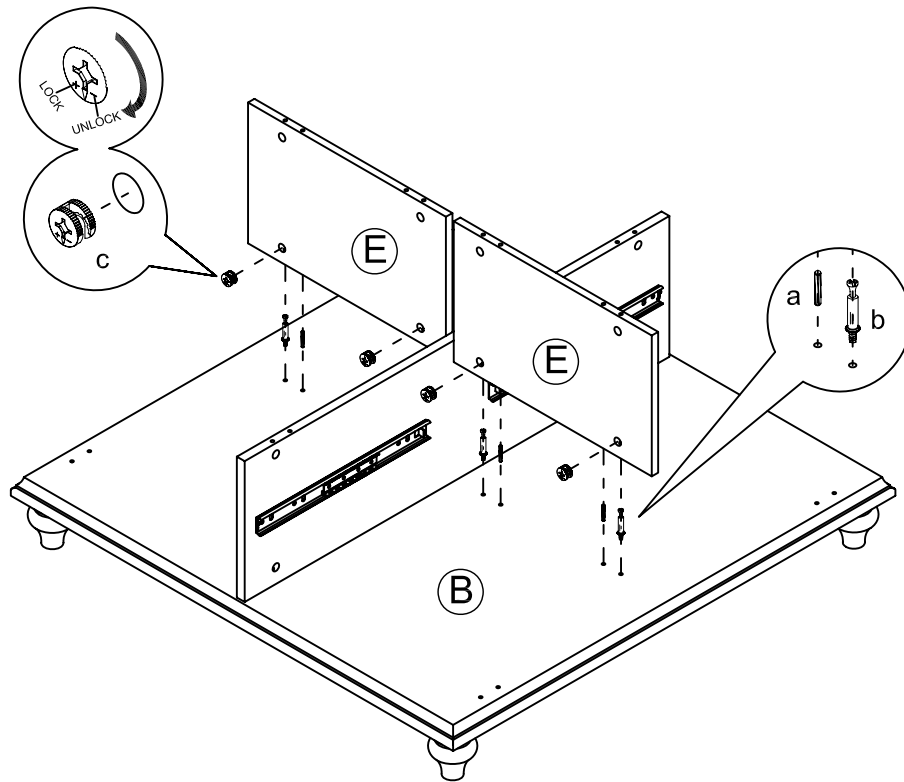
- TIGHTEN THE BALL FOOT (K) AND THE MIDDLE FOOT (L) TO THE BOTTOM PANEL (B) AS SHOWN .

FIG 2



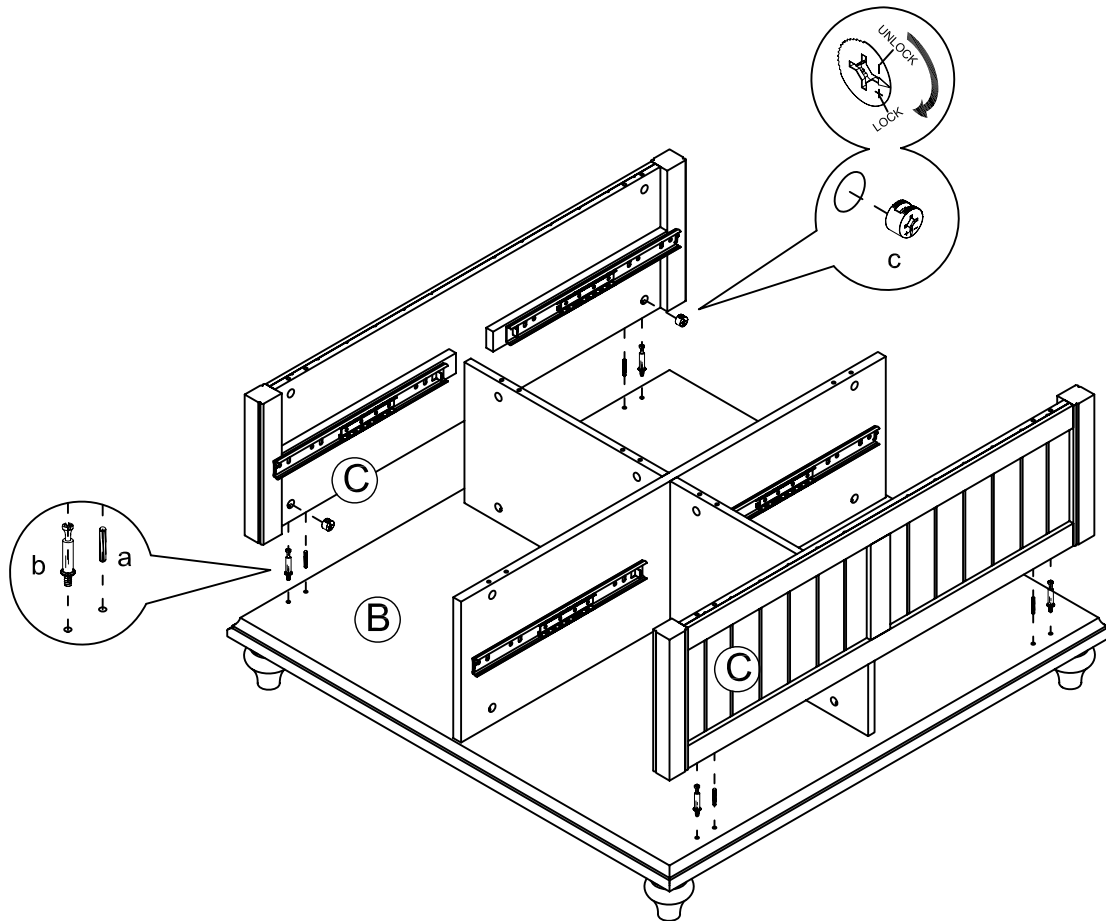
- INSTALL THE WOOD DOWEL (a) AND THE CAM LOCK BOLT (b) INTO THE BOTTOM PANEL (B).
- JOIN THE LARGE PARTITION (D) TO THE BOTTOM PANEL (B) BY USING WOOD DOWEL (a) FIRST.
- TIGHTEN THE CAM LOCK BOLT (b) BY USING THE CAM LOCK (c) IN PRE-DRILLED HOLES.

FIG 3



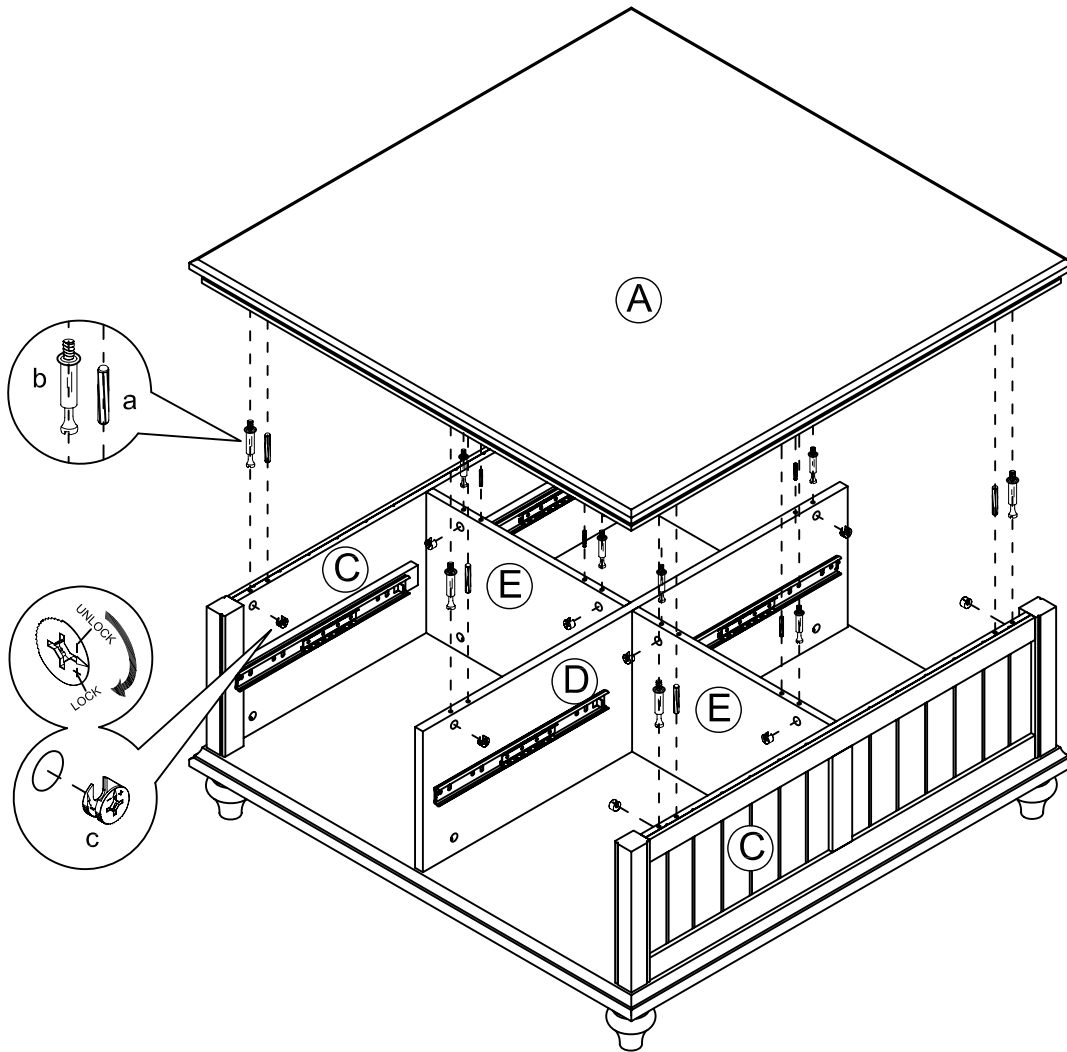
- INSTALL THE WOOD DOWEL (a) AND THE CAM LOCK BOLT (b) INTO THE BOTTOM PANEL (B).
- JOIN THE SMALL PARTITION (E) TO THE ASSEMBLED PART BY USING WOOD DOWEL (a) FIRST.
- TIGHTEN THE CAM LOCK BOLT (b) BY USING THE CAM LOCK (c) IN PRE-DRILLED HOLES.

FIG 4



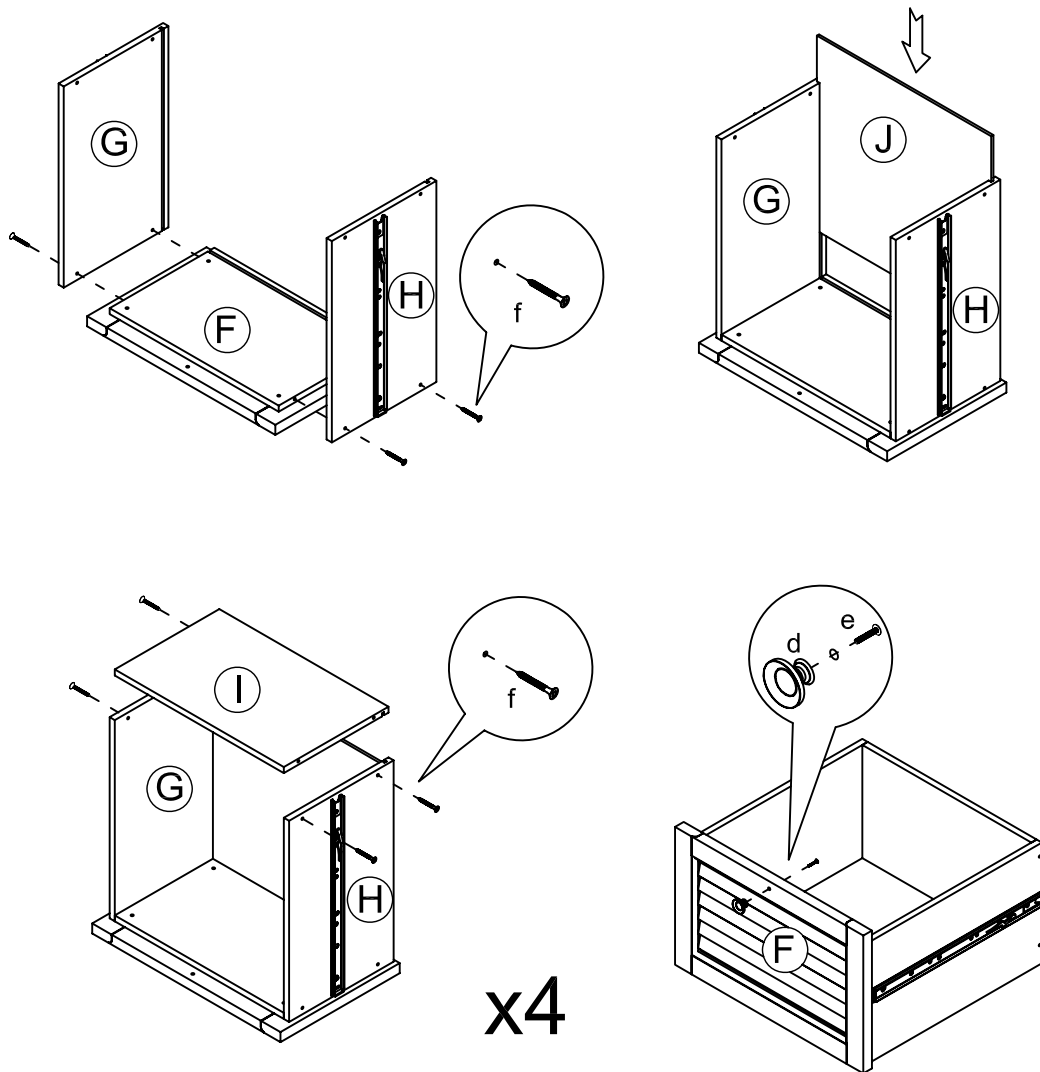
- INSTALL THE WOOD DOWEL (a) AND THE CAM LOCK BOLT (b) INTO THE BOTTOM PANEL (B).
- JOIN TWO SIDE PANELS (C) TO THE ASSEMBLED PART BY USING WOOD DOWEL (a) FIRST.
- TIGHTEN THE CAM LOCK BOLT (b) BY USING THE CAM LOCK (c) IN PRE-DRILLED HOLES.

FIG 5



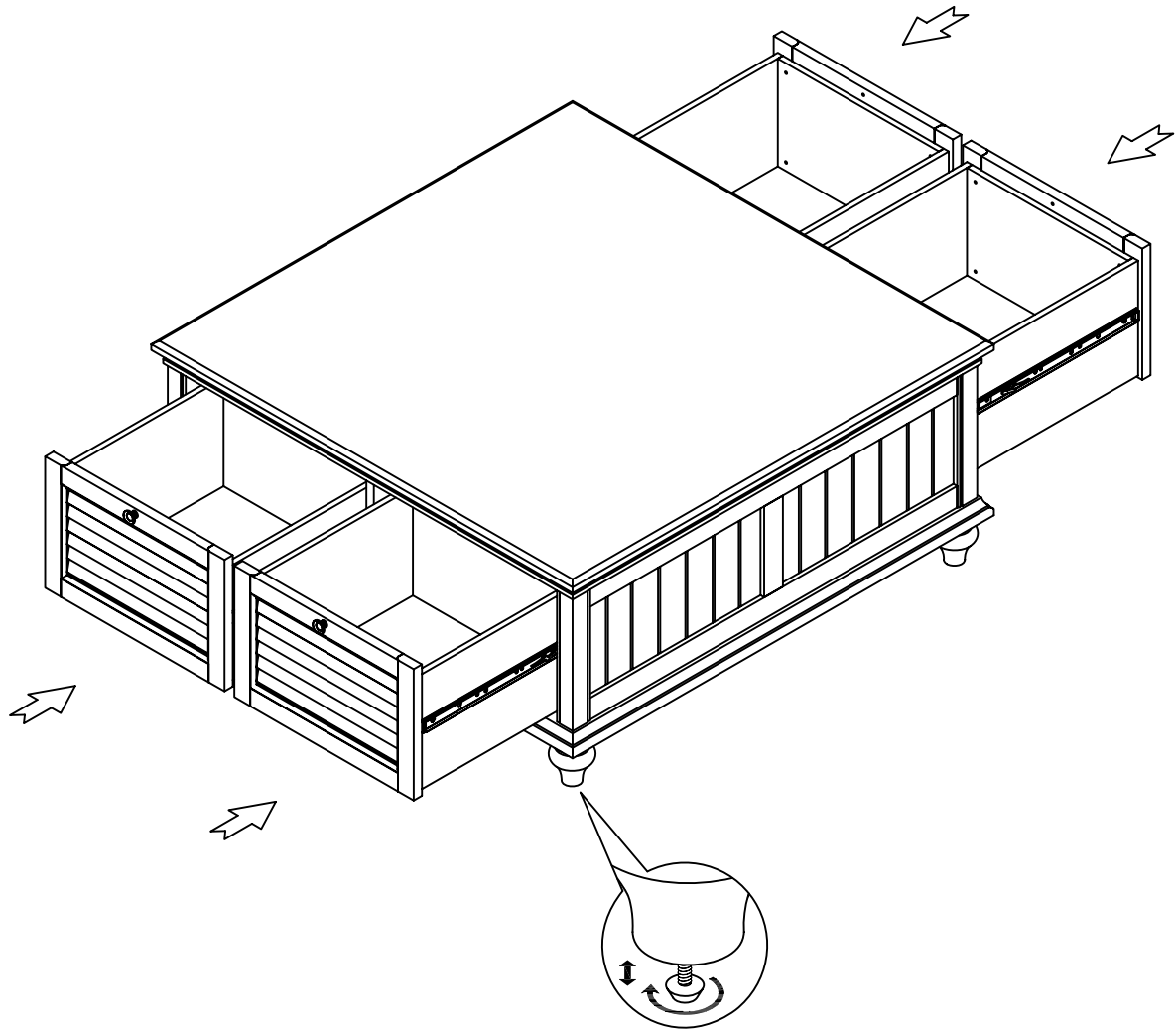
- INSTALL THE WOOD DOWEL (a) AND THE CAM LOCK BOLT (b) INTO THE TOP PANEL (A).
- JOIN THE TOP PANEL (A) TO THE ASSEMBLED PART BY USING WOOD DOWEL (a) FIRST.
- TIGHTEN THE CAM LOCK BOLT (b) BY USING THE CAM LOCK (c) IN PRE-DRILLED HOLES.

FIG 6



- TIGHTEN THE DRAWER LEFT SIDE PANEL (G) AND THE DRAWER RIGHT SIDE PANEL (H) TO THE DRAWER FRONT PANEL (F) BY USING THE 1" FLAT HEAD SCREW (f).
- SLIDE THE DRAWER BOTTOM PANEL (J) INTO THE GROOVES ON THE DRAWER LEFT SIDE PANEL (G) AND THE DRAWER RIGHT SIDE PANEL (H).
- TIGHTEN THE DRAWER BACK PANEL (I) TO THE ASSEMBLED PART BY USING THE 1" FLAT HEAD SCREW (f).
- TIGHTEN THE KNOB (d) TO THE DRAWER FRONT PANEL (F) BY USING THE KNOB BOLT (e).

FIG 7



- INSERT THE ASSEMBLED DRAWERS INTO THE ASSEMBLED PART AS SHOWN.