



Features

- Modular design allows it to be moved around corners and through doorways with ease.
- Durable high gloss finish.
- Gentle sloping back, neck, and armrests in bath.
- Integral apron eliminates installation step.
- Above-floor-drain (AFD) rough-in.
- Realistic tile wall surround features molded-in shelves for generous storage space.
- 3" (76 mm) wainscot/tile ledge.
- 18-1/4" (464 mm) bath depth (floor to top of threshold).
- 60" (1524 mm) x 42" (1067 mm) x 74-1/4" (1886 mm) complete unit finished dimensions.

Material

- Compression molded from our exclusive solid Vikrell® material.

Installation

- Tongue-and-groove four piece modular design allows for easy snap together installation.
- Some caulk required for proper installation.

Components

Product includes:

71114100 60" x 42" Bath/Shower Wall Set

71111122 60" x 42" AFD Bath



For complete listing of available colors, go to sterlingplumbing.com.

Codes/Standards

ASTM E162

ASTM E662

Greenguard UL 2818 - Gold

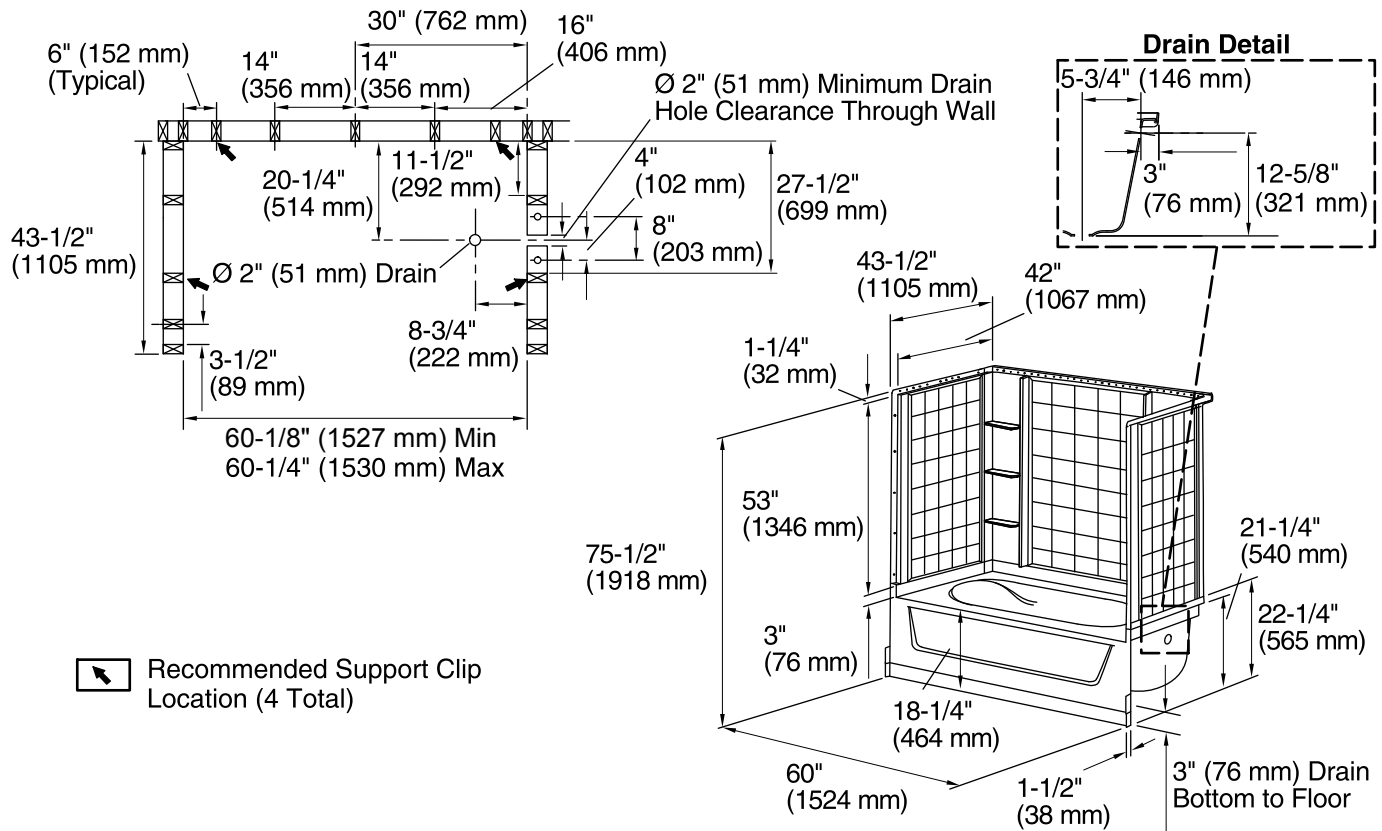
CSA B45.5/IAPMO Z124

STERLING® Warranty - Fixtures Made of Solid Vikrell Material

See website for detailed warranty information.

Product Specification

Bath and wall surround shall be 60" (1524 mm) in length, 43-1/2" (1105 mm) in width, and 75-1/2" (1918 mm) in height with flange. Bath and wall surround shall be made of Vikrell® material with durable high gloss finish. Bath shall have a 18-1/4" (464 mm) bath depth (floor to top of threshold). Bath shall have an integral apron and above-the-floor right drain. Bath and wall surround shall be STERLING Model 71110122.



Technical Information

All measurements are nominal.

Installation:	3-Wall Alcove
Drain location:	Right
Basin area, bottom:	40" x 27" (1016 mm x 686 mm)
Basin area, top:	52" x 35" (1321 mm x 889 mm)
Water depth:	11" (279 mm)
Water capacity:	55 gal (208.2 L)

Door height required: 55-3/4" (1416 mm)

Door width required: 58-1/2" (1486 mm)

Installation Notes

Measure your actual product for roughing-in details.

Install this product according to the installation guide.

Studs should be positioned roughly as shown.

Double studding is recommended for pivot shower door installations.