

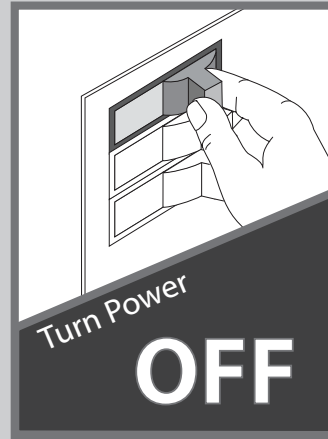
Traditional 3-Light Fitter

Models 99134, 99135, 99136, 99138, 99140

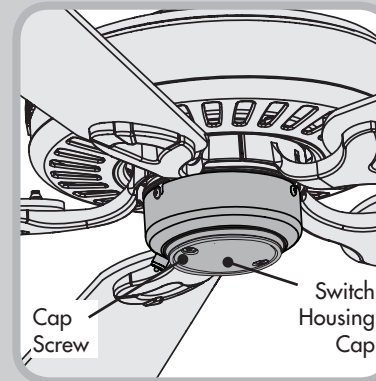
Compatible with:
2xxxx Types A - Z
51000-58999 fan series
59500-59999 fan series
Select Casablanca Fans



Read entire installation instructions carefully before beginning installation and save these instructions.

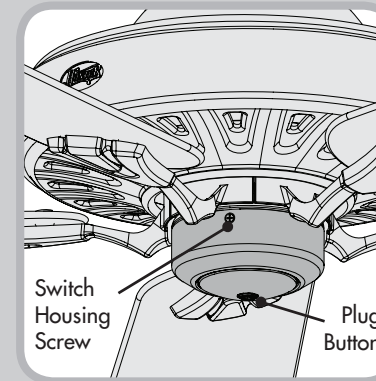


WHICH ASSEMBLY METHOD WILL I USE?



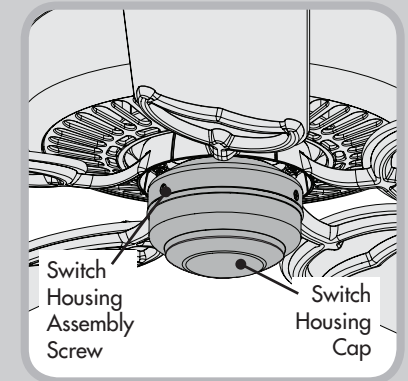
If your fan's switch housing cap resembles this one, remove the cap screws with a Phillips head screwdriver. Then follow the instructions for **TYPE-A ASSEMBLY**.

OR



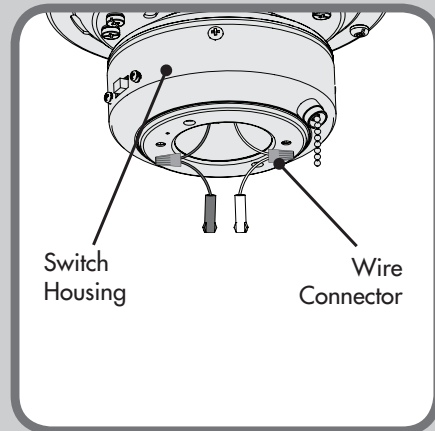
If your fan's switch housing cap resembles this one, remove the whole switch housing by removing the switch housing screws with a Phillips head screwdriver. Remove the plug button. Then follow the **TYPE-B ASSEMBLY INSTRUCTIONS**.

OR

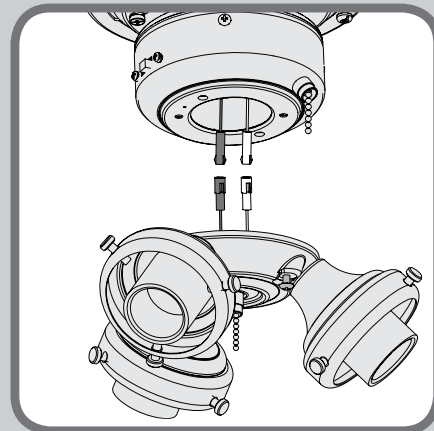


If your fan's switch housing cap resembles this one, remove the whole switch housing by removing the switch housing screws with a Phillips head screwdriver. Remove the two cap screws from the inside of the switch housing. Reinstall the switch housing. Tighten the switch housing screws. Then follow the instructions for **TYPE-A ASSEMBLY**.

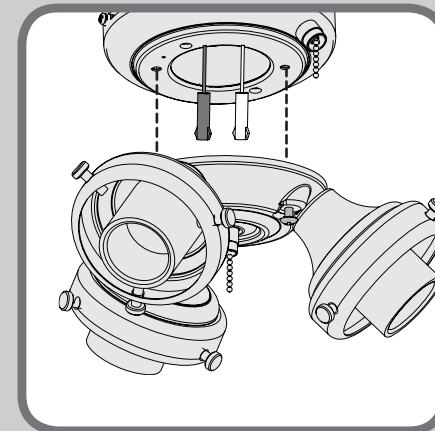
TYPE-A ASSEMBLY



If your fan does not have pin connectors on the wires coming from the switch housing, install the wiring harness provided. Using the provided wire connectors connect the white wire from the fan to the white wire from the wire harness and connect the black or blue wire from the fan to the black wire from the wire harness.



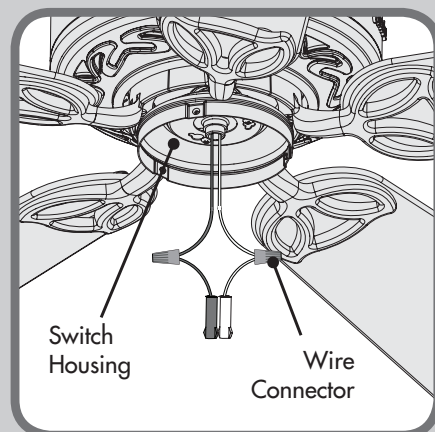
Using the single pin connectors, connect the black or blue wire from the fan to the black wire from the light kit. Connect the white wire from the fan to the white wire from the light kit.
Note: Do not allow the light kit to hang only by the wire connectors.



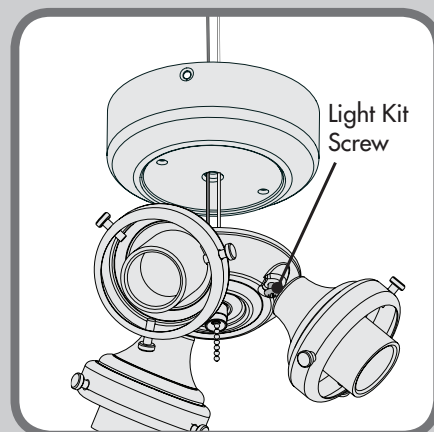
Lift the light kit up to meet the lower switch housing. Guide the two pre-installed light kit screws into the holes in the lower switch housing. Tighten screws.



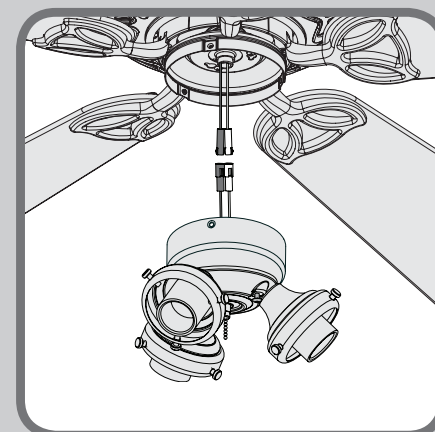
TYPE-B ASSEMBLY



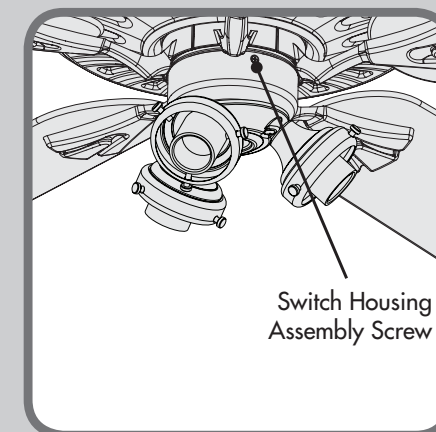
If your fan does not have pin connectors on the wires coming from the switch housing, install the wiring harness provided. Using the provided wire connectors connect the white wire from the fan to the white wire from the wire harness and connect the black or blue wire from the fan to the black wire from the wire harness.



Feed the light kit wires through the center hole in the switch housing. Then attach the switch housing to the light kit by installing the light kit screws into the bottom of the switch housing.



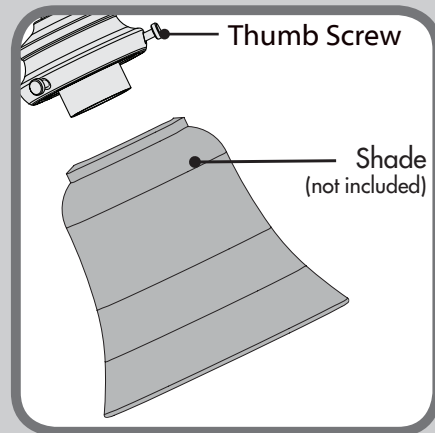
Using the single pin connectors, connect the black or blue wire from the fan to the black wire from the light kit. Connect the white wire from the fan to the white wire from the light kit.
Note: Do not allow the light kit to hang only by the wire connectors.



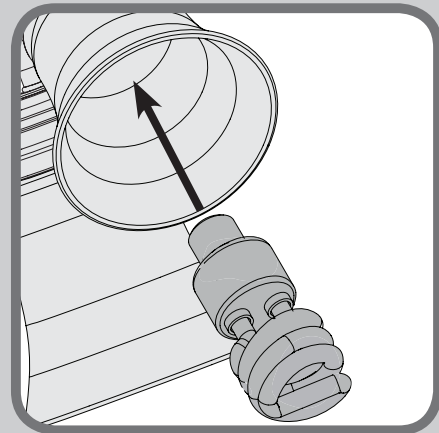
Lift the light kit up to meet the upper switch housing. Install the switch housing assembly screws. Tighten screws.



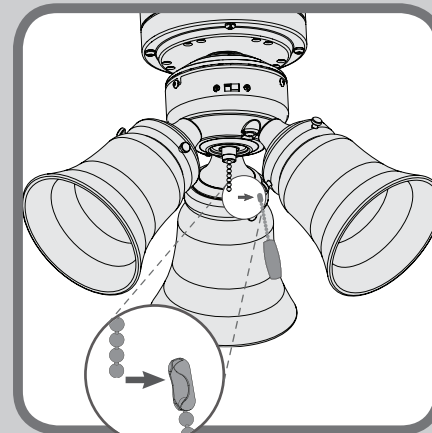
Improper installation could cause the light fixture to fall, or result in electrical shock or personal injury.

FOR BOTH ASSEMBLIES

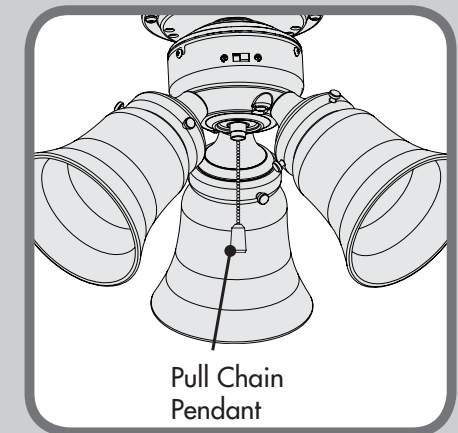
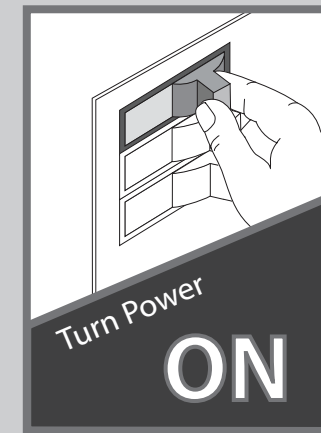
Installing the shades - To install the shade, first loosen the thumb screws. Raise the shade to the light fixture. Tighten all thumbscrews securely.



Installing the bulb - Install a bulb into each socket. When necessary, replace bulbs with bulbs of same type and wattage.



Installing the pull chain pendant - Attach the pull chain pendant to the end of the short chains coming from the switch housing and the light kit.



To turn lights on and off, pull the pull chain pendant coming from the center of the light kit.

ONE YEAR WARRANTY

This product is warranted to the original purchaser by Casablanca Fan Company/Hunter Fan Company against defects in material and workmanship for one (1) year from date of purchase. During the warranty period, we will repair or, at our option, replace a defective product at no charge. For information on how to obtain service, contact the Casablanca/Hunter Service Department by calling our toll-free number at 888-830-1326. Damage to the product caused by mishandling, improper installation or modification is not covered by this warranty. This warranty is given in lieu of all other warranties expressed or implied. Some states do not allow limitations of time on an implied warranty, therefore the above limitations may not apply in every case. This warranty states specific legal rights which may vary from state to state.

TROUBLESHOOTING**Lights don't come on.**

- Make sure that the bulbs are properly installed.
- Make sure power switch is on.
- Pull the pull chain to make sure it is on.
- Check the circuit breaker to ensure the power is turned on.
- Check the pin connections in the light kit.
- Refer to the fan manual for locating the fan's wiring. Verify that the light and power wires are correctly connected to the ceiling and the light kit.

If you have problems installing or operating your light kit, do not return this product to the dealer. Call our Consumer Affairs Hotline.

888-830-1326

READ AND SAVE THESE INSTRUCTIONS

This product conforms to UL Standard 507.

⚠ WARNINGS

w.1 - To reduce the risk of fire, electrical shock, or personal injury, mount fan directly from building structure and/or an outlet box marked acceptable for fan support of 70 lbs. (31.8 kg) and use the mounting screws provided with the outlet box.

w.2 - To avoid possible electrical shock, before installing or servicing your fan, disconnect the power by turning off the circuit breakers to the outlet box and associated wall switch location. If you cannot lock the circuit breakers in the off position, securely fasten a prominent warning device, such as a tag, to the service panel.

⚠ CAUTIONS

c.1 - All wiring must be in accordance with national and local electrical codes ANSI/NFPA 70. If you are unfamiliar with wiring, use a qualified electrician.