



# FFBF246SS



72.75" x 23.25" x 25" (H x W x D)

Frost-free ENERGY STAR certified bottom freezer refrigerator in stainless steel with digital controls; replaces FFBF245SSX

### Highlights:

ENERGY STAR certified to help save on energy bills and maximize efficiency

True frost-free operation saves you maintenance by preventing icy buildup

Deluxe interior with digital temperature control, LED lighting, adjustable glass shelves and door storage, and a scalloped wine shelf

### Product Features:

ENERGY STAR certified	Rated by the DOE to perform with more efficiency than federal standards require, saving your unit energy and you on higher utility costs
CEE Tier I qualified	Efficient design meets CEE Tier I specifications, using 20% less energy than DOE standards require for this product category
Stainless steel doors	Stainless steel doors with a gentle curve offer a professional look for any kitchen
Large capacity	Generous capacity inside a counter deep 27" footprint
Frost-free operation	No-frost operation ensures reduced maintenance
Digital temperature control	Innovative control panel located inside the refrigerator makes it easy to manage the refrigerator and freezer temperature at the touch of a button
Adjustable glass shelves	Rearrange your refrigerator space to accommodate all shapes and sizes or remove shelves for a simple clean-up
Adjustable door storage	Store tall bottles and condiments right on the door for convenient access
Wine shelf	Scalloped steel shelf is ideal for keeping bottles safely in place



SUMMIT APPLIANCE DIVISION FELIX STORCH, INC.

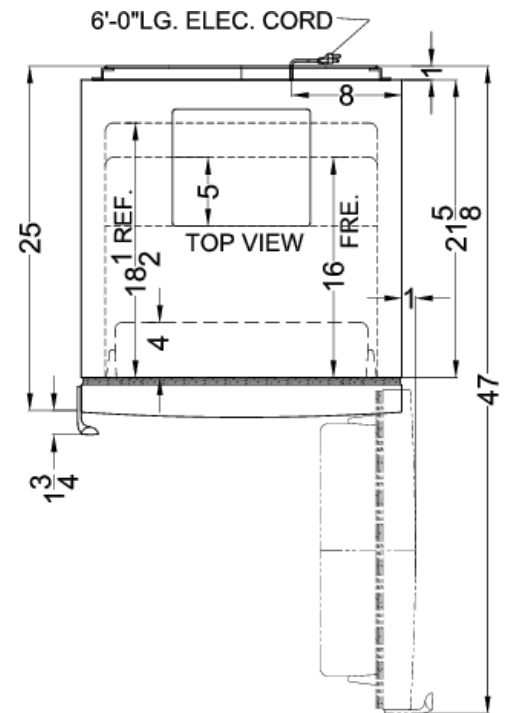
770 Garrison Avenue, Bronx, NY 10474 USA TEL 718-893-3900 FAX 844-478-8799 info@summitappliance.com  www.summitappliance.com



## FFBF246SS Specifications:

Overview	
Height to Cabinet	72.75"
Width	23.25"
Width with Door Open	24.25"
Depth	25.0"
Depth with Handle	26.75"
Depth with door at 90°	47.0"
Capacity	11.35 cu.ft.
Defrost Type	Frost-Free
Door	Stainless Steel
Cabinet	Platinum
US Electrical Safety	UL
Canadian Electrical Safety	ULC
Energy Usage/Year	395.0kWh/year
Amps	1.9
Voltage/Frequency	115 V AC/60 Hz
Weight	200.0 lbs.
Shipping Weight	210.0 lbs.
Parts & Labor Warranty	1 Year
Compressor Warranty	5 Years
Refrigerator-Freezer	
Door Swing	RHD
Reversible	Yes
Crisper Qty	1
Crisper Finish	Transparent
Crisper Cover	Glass
Refrigerator - Interior Height	36.38"
Refrigerator - Interior Width	19.63"
Refrigerator - Interior Depth	18.5"
Refrigerator - Capacity	7.93 cu.ft
Refrigerator - Shelf Type	Glass and Scalloped
Refrigerator - Shelf Qty	3
Refrigerator - Full Door Shelves	3
Freezer - Interior Height	25.25"
Freezer - Interior Width	17.63"

Freezer - Interior Depth	16.0"
Freezer - Capacity	3.42 cu.ft
Adjustable Shelves	Yes
Wine Bottle Shelving	Yes
Interior Light	Yes
Thermostat Type	Digital
Fan Type	Interior
Refrigerant Type	R600a
Refrigerant Amount	1.83 oz.
High Side PSI	176.0
Low Side PSI	54.0
Level Legs	2
Interior Drawers	Yes
Drawer Qty	1
Compressor Step Height	8.5"
Compressor Step Width	17.63"
Compressor Step Depth	5.0"



SUMMIT APPLIANCE DIVISION FELIX STORCH, INC.

770 Garrison Avenue, Bronx, NY 10474 USA TEL 718-893-3900 FAX 844-478-8799 info@summitappliance.com www.summitappliance.com

