

USER INSTRUCTIONS

STRATOS 2 BURNER

MODEL No's 98721, 98723



CE



LIVE THE BRAAI LIFE

503-0314 LEV6



CAUTION

For Outdoor use only!



This appliance may not be used in an exterior enclosed balcony, porch or entertainment area!

IMPORTANT

Read these instructions for use carefully so as to familiarize yourself with the appliance before connecting it to its gas container. Keep these instructions for future reference

1. Introduction

- This appliance complies with BS EN 498: 2012 and SANS 1539:2012
- This appliance must only be used with an approved hose and regulator.
- The gas cylinder is to be used only in the upright position.
- Only to be used with a gas cylinder that does not exceed 500mm in height.
- Gas appliances require ventilation for efficient performance and to ensure the safety of users and other persons in close proximity.
Use outdoors only!
- **Warning:** Accessible parts may be very hot. Keep young children away.

98700-21, 98700-23					
Country of Use	BE, CH, CY, CZ, ES, FR, GB, GR, IE, IT, LT, LU, LV, PT, SK & SI		PL	BE, CY, DK, EE, FR, FI, HU, IT, LT, NL, NO, SE, SI, SK, RO, HR, TR, BG, IS, LU, MT, & ZA	AT, CH, DE & SK
Appliance Categories	I ₃₄ (28.30/37)		I _{3B/P} (37)	I _{3B/P} (30)	I _{3B/P} (50)
Allowable gasses	Butane	Propane	Butane, Propane or their mixture		
Gas Pressure	28-30mBar	37mBar	37mBar	28-30mBar (2.8kPa for South Africa)	50mBar
Main BBQ Unit					
Jet Number	0.92			0.81	
Nominal Usage (Butane)	255g/hr per burner	277g/hr per burner	255g/hr per burner	255g/hr per burner	
Gross nom. heat input	3.5kw Per Buner (3.5kW x 2 = 7.0kW)	3.8kw Per Buner (3.8kW x 2 = 7.6kW)	3.5kw Per Buner (3.5kW x 2 = 7.0kW)	3.5kw Per Buner (3.5kW x 2 = 7.0kW)	
Side Burner (98700-23)					
Jet Number	0.88			0.75	
Nominal Usage (Butane)	218g/hr	255g/hr	218g/hr	218g/hr	
Gross nom. heat input	3.0kW	3.5kW	3.0kW	3.0kW	
Gas Supply Sources	An approved hose and regulator connected to a refillable gas container not exceeding 9kg and complying with local regulation in force				

Country Name and Abbreviations				
AE = United Arab Emirates	AL = Albania	AT = Austria	BE = Belgium	CH = Switzerland
CZ = Czech Republic	DE = Germany	DK = Denmark	ES = Spain	FI = Finland
FR = France	GB = United Kingdom	GR = Greece	HR = Croatia	IT = Italy
JP = Japan	KR = Korea	NL = Netherlands	NO = Norway	PL = Poland
PT = Portugal	RO = Romania	RU = Russia	RS = Serbia	SI = Slovenia
SK = Slovakia	SE = Sweden	TR = Turkey		

2. Safety Information

- The hose and seal on the regulator must be checked for wear or damage before every use and before connecting to the gas cylinder (see Fig.1).
- Ensure the appliance is used away from flammable materials. Minimum safe distances are 1.2m above the appliance and 600mm to the rear and sides of the appliance (see Fig. 2).
- Do not use an appliance that is damaged, leaking, or which does not operate properly.
- Keep gas cylinders away from heat and flames. Do not place on a stove or any other hot surface.
- Ensure that the assembled unit is stable and does not rock.
- Do not cover or change the primary air supply openings in the burners as this will affect the performance of the product and may lead to an unstable flame.
- In the event of burn back, (where the flame burns back and ignites at the jet), immediately turn off the gas supply by first closing the control valve on the gas cylinder and then the appliance valve. After the flame is extinguished remove the regulator and check the condition of its seal. Replace the seal if in doubt. Re-light the appliance as described in Section 3 below. Should the flame light back persistently return the product to your authorized CADAC repair agent.
- If there is a leak on your appliance (smell of gas), immediately close the control knob on the gas cylinder and then the appliance valve. After the flame is extinguished remove the regulator and check the condition of its seal. Replace the seal if in doubt. Re-light the appliance as described in Section 3 below. Should the flame light back persistently return the product to your authorized CADAC repair agent.
- If there is a leak on your appliance (smell of gas), immediately close the control knob on the gas cylinder and then the appliance valve. After the flame is extinguished remove the regulator and check the condition of its seal. Replace the seal if in doubt. Re-light the appliance as described in Section 3 below. Should the flame light back persistently return the product to your authorized CADAC repair agent.
- The correct way is to smear the joints with soapy water. If a bubble or bubbles form then there is a gas leak. Immediately turn off the gas supply firstly by closing the control valve on the gas container and then the appliance valve. Check that all the connections are properly fitted. Re-check with soapy water. If a gas leak persists, return the product to your CADAC dealer for inspection / repair.
- Do not modify the appliance or use it for anything which it has not been designed for.
- During use, part of the appliance will become hot, particularly the cooking areas and the hood. Avoid touching hot parts with your bare hands. The use of oven gloves is recommended.
- Keep young children away from the appliance at all times.
- This appliance consumes oxygen and needs ventilation for optimum performance and for the safety of those in close proximity. **Use Outdoors Only!**
- Do not move the appliance while in use.
- The parts sealed by the manufacturer or its agent must not be altered by the user.

NOTE

- Do not twist or pinch the hose. Ensure that it is kept away from the BBQ body so as to prevent deterioration/damage to the hose caused by heat.
- Fit one end of the low pressure hose onto the regulator nozzle. Thread the other end from inside cabinet, through the hole on the left side panel, onto the Patio BBQ nozzle. Push the ends on as firmly as possible. Clamp them into position using hose clamps at both ends of the hose.
- Ensure that the connections are made securely and do not allow gas to leak.
- Check for gas leaks before using the appliance.
- For use with an approved hose and regulator connected to a refillable gas container not exceeding 11kg and complying with local regulation in force.
- Do not obstruct the ventilation openings of the cabinet.
- Do not modify the appliance. Modifying the appliance may be dangerous.
- **Warning:** An LP cylinder not connected for use shall not be stored in the vicinity of this or any other appliance.

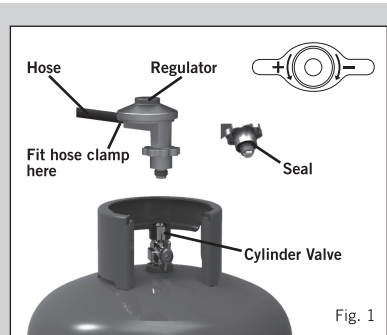


Fig. 1

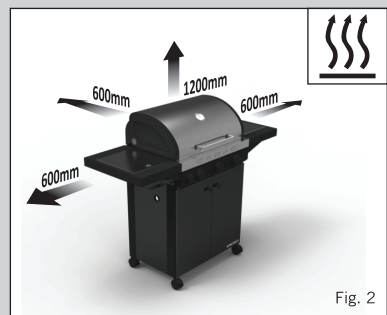


Fig. 2

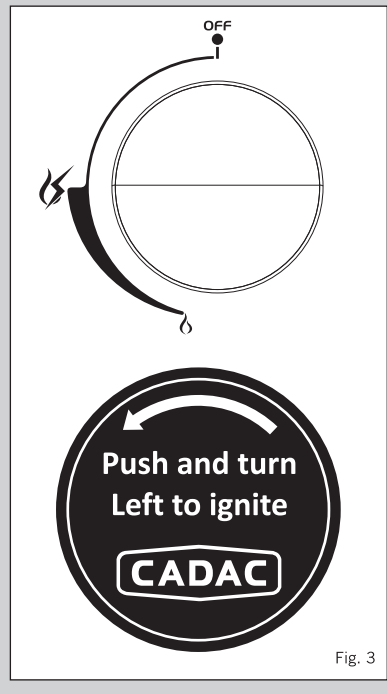


Fig. 3

3. Using the Appliance

- Place the cylinder inside the cabinet through the back of the cabinet into the allocated space.
- Use this appliance only on a firm level surface.
- Before use ensure that the drip cup is in place.
- Make sure the gas cylinder is correctly fitted to the appliance.
- Ensure the cylinder control valve is in the open position.
- **Note!** All burners are fitted with an automatic igniter.

To light the appliance using the automatic igniter, first ensure the dome is in the open position. Push in and turn the control knob in an anti-clockwise direction until spring resistance is felt. Hold the knob in this position for 3 – 5 seconds to allow the gas to flow and then turn the knob fully anti-clockwise to the HIGH position. This will cause the automatic lighter to light the burner. Should the burner not ignite the first time, turn the control knob to the OFF position and wait 5 minutes, repeat the process until the burner ignites.

- **Manual ignition:** To light the burners manually, first remove the grill plate and the deflector plate directly underneath it. Ignite a match or firelighter and position it next to the left hand burner. Turn on the gas supply to that burner only by pushing the control valve in and turning it in an anti-clockwise direction. This will ignite the burner. Once the burner is ignited, carefully replace the deflector plate and cast iron grill plate. You will now be able to light the remainder of the burners as above.
- Use the control knobs to adjust the individual burner flame intensity to the desired level by turning the knob anti-clockwise to decrease the flame and clockwise to increase it (see Fig. 3).
- After use, first close the valve on the gas cylinder. When the flame is extinguished, close the burner control valves on the appliance by turning control knobs fully clockwise.

4. Fitting and Changing the Gas Cylinder

- Before connecting the appliance to a gas cylinder, ensure that the rubber seal on the regulator is in position and in good condition.
- Carry out this check each time you fit the appliance to a gas cylinder (see fig. 1).
- Blow out any dust from the cylinder opening to prevent possible blockage of the jet.
- Ensure the gas cylinder is fitted or changed outdoors, away from any source of ignition such as naked flames, and away from other people.
- Make sure that the gas cylinder is kept upright at all times. Hand tighten the regulator onto the cylinder until it is fully engaged.
- If there is a leak on your appliance (smell of gas), extinguish all sources of ignition in the vicinity of the appliance. If you wish to check for leaks on your appliance, use soapy water which is applied to the suspected area. A formation of bubbles will indicate a gas leak. Check that all the connections are securely fitted and re-check with soapy water. If you cannot rectify the gas leak, do not use the appliance. Contact your local CADAC stockist for assistance.
- When changing a gas cylinder, first close the cylinder valve and then the appliance valve, making sure the flame is extinguished and unscrew the regulator. Re-fit the regulator to a full cylinder following the same precautions as described above.
- After the appliance has been fully assembled, perform a gas leak test before operating the appliance.

5. General Maintenance

- There are no predetermined maintenance intervals for this appliance.
- It is dangerous to use an appliance with a cracked or perished seal and/or hose. Inspect both seals and hose regularly and replace if they are not in order before using the appliance.
- If the appliance was in use it will be hot. Allow to cool sufficiently before attempting any maintenance.
- CADAC Patio BBQ's are fitted with specific CADAC jets to regulate the correct amount of gas. Should the hole in the Jet become blocked it may result in a small flame or no flame at all. Do not attempt to clean the Jet with a pin or other such device as this may damage the hole, which could make the appliance unsafe. Refer to "Introduction" (Section 1) for jet sizes.

5.1.Replacing a Blocked Jet

- Ensure that the cylinder valve is closed, then disconnect the appliance from the gas cylinder.
- Remove the grill plates. Remove the flame tamers to expose the burners. Remove the retaining screws of the affected burner.
- Remove the affected burner by lifting it out of its location taking care not to damage the control valve whilst doing so. This will expose the Jet.
- Unscrew the blocked Jet with a suitable spanner and replace it with a new Jet. Do not use pliers on the Jet as they can cause damage, making the Jet unusable or impossible to remove.
- To re-assemble, reverse the above procedure. Do not over tighten as this may damage the Jet.

5.2.Replacement of Hose

- The hose length should not be less than 0.8m or exceed 1.2m. Check the expiry date on the hose and replace when necessary. Fitting of a hose is described in Section 2. Only an LPG hose that complies with SANS 1156-2, BS 3212 or DIN4815 may be used with this appliance.

5. General Maintenance cont.

5.3.Replacement of Regulator

- In South Africa the regulator used must be 2.8kpa and it must comply with SANS 1237.
- Use 30mBar butane (or propane) regulator with gas category I3B/P(30)
- Use 30mBar butane regulator with gas category I3+(28-30/37) for butane.
- Use 37mbar butane(or propane) regulator with gas category I3B/P(37)
- Use 37mbar propane regulator with gas category I3+(28-30/37)
- Use 50mBar butane (or propane) regulator with gas category I3B/P(50)
- It is important that the connection between the regulator outlet and the low pressure hose is tight and that it is secured with a metal hose clamp. Always check the joint for gas leaks as described in section 4 above.

6. Troubleshooting

- A normal flame is blue and may have an orange or yellow tip. If the flame is completely yellow, it may be that the jet is not securely fitted. Re-tighten the jet to ensure there is no gas leakage. An overfilled gas cylinder can also cause large yellow flames. If this is the case the cylinder should be returned to the filling station and checked by weight.
- Check that the primary air supply holes in the burners are clear and free of obstructions.
- If the flame power drops or the gas will not light, check that the gas cylinder still contains gas (shake to hear the noise made by a liquid). If there is still gas, the jet might be blocked or partially blocked.
- If you suspect a blocked jet, follow the instructions above to clean or replace it.

7. Cleaning

- To clean the body, simply wipe with a damp cloth using a little detergent if necessary.
- Do not use abrasive cleaners or scourers as this will cause permanent damage to the painted surface.
- Even though stainless steel is remarkably resistant to tarnish and rust relative to ordinary steels, it still requires proper care. We recommend the following:
- After use, clean the stainless steel surfaces with clean water and a soft cloth for light cleaning, while a commercially available stainless steel cleaner with a soft cloth should be used for tougher areas. Ensure that you remove all excess stainless steel cleaner after cleaning your BBQ.
- To repair minor tea staining or pitting, you can use a light, non-metallic scourer. It is important that you rub with the natural grain of the stainless steel surface to avoid leaving visible scratch marks.
- Between uses, it is a good idea to leave the barbeque covered to prevent dust and air borne salts settling on the stainless steel surfaces.
- With a small amount of care, your investment in quality stainless steel will keep its beautiful finish as well as its value for a long time to come.

8. Storage

- Handle the appliance with care. Do not drop it.
- After use, wait until the appliance has cooled down, disconnect it from the gas cylinder and store in a cool dry place away from heat.
- Keep the dome closed when not in use to prevent dirt and insects falling into the unit, which may affect the gas flow.
- Use a CADAC BBQ cover, especially if the unit is stored outdoors.
- Before every use, ensure that the burners and venturies are free of insects, dust and spider webs.

9. Spares and Accessories

- Always use genuine CADAC spares as they have been designed to give optimum performance.

Description	Part No.
Jet No. 0.92 (28/37mBar) / (2.8kPa - SA Only)	0.92
Jet No. 0.81 (50mBar)	0.81
Jet NO. 0.88 (Side Burner) (28/37mBar) / (2.8kPa - SA Only)	0.88
Jet NO. 0.75 (Side Burner) (50mBar)	0.75
Stratos 3B Cover	98700-30-CVR
Stratos 4B Cover	98700-40-CVR
Stratos Warmer Pan	98700-50
Stratos Reversible Grill Plate	98700-51

10. Returning the Appliance for Repair or Service

- Do not modify the appliance. This may cause the appliance to become unsafe.
- Any modifications will render the CADAC (Pty) Ltd warranty null and void.
- If you cannot rectify any fault by following these instructions, contact your local CADAC stockist for inspection and/or repair.

11. Warranty

- CADAC (Pty) Ltd hereby warrants to the ORIGINAL PURCHASER of this CADAC Gas Barbecue, that it will be free of defects in material and workmanship from the date of purchase as follows:

Valves:	5 Years
Plastic parts:	No Warranty
Enamel parts (Except Flame Tamers):	5 Years
Cast Iron:	5 Years
Painted Frames:	1 Year
Stainless Steel Burners:	2 Years
Enamel Flame Tamers:	2 Years

The warranty will only apply if the unit is assembled and operated in accordance with the printed instructions.

CADAC may require reasonable proof of your date of purchase. THEREFORE, YOU SHOULD RETAIN YOUR SALES SLIP OR INVOICE.

This Limited Warranty shall be limited to the repair or replacement of parts that prove defective under normal use and service and which on examination shall indicate, to CADAC's satisfaction, they are defective. Before returning any parts, contact the customer service representative in your region using the contact information provided with your manual or call 0860 223 220 (RSA only). If CADAC confirms the defect and approves the claim, CADAC will elect to replace such parts without charge. CADAC will return parts to the purchaser, freight or postage prepaid.

This Limited Warranty does not cover any failures or operating difficulties due to accident, abuse, misuse, alteration, misapplication, vandalism, improper installation or improper maintenance or service, or failure to perform normal and routine maintenance, including but not limited to damage caused by insects within the burner tubes, as set out in this owner's manual. Deterioration or damage due to severe weather conditions such as hail, hurricanes, earthquakes or tornadoes, discoloration due to exposure to chemicals either directly or in the atmosphere, is not covered by this Limited Warranty.

There are no other express warrants except as set forth herein and any applicable implied warranties of merchantability and fitness are limited in duration to the period of coverage of this express written Limited Warranty. Some regions do not allow limitation on how long an implied warranty lasts, so this limitation may not apply to you.

CADAC is not liable for any special, indirect or consequential damages. Some regions do not allow the exclusion or limitation of incidental or consequential damages, to this limitation or exclusion may not apply to you.

CADAC does not authorize any person or company to assume for it any obligation or liability in connection with the sale, installation, use, removal, return, or replacement of its equipment; and no such representations are binding on CADAC.

This Warranty applies only to products sold at retail.

To enjoy and ensure longevity of your CADAC product, please refer to the cleaning and maintenance section of the user manual with particular attention to the care of the Stainless Steel.

VORSICHT

Nur im Freien benutzen! Dieses Gerät darf nicht in geschlossenen Außenbalkons, Veranden oder Entertainment-Bereichen verwendet werden!

WICHTIG

Lesen Sie diese Anweisungen sorgfältig durch, um sich vor dem Gebrauch mit dem Gerät vertraut zu machen.
Bewahren Sie diese Anweisungen auf, damit Sie die Hinweise in Zukunft noch einmal nachlesen können.

1. Einführung

- Dieses Gerät entspricht den Normen BS EN 498: 2012 und SANS 1539:2012
 - Dieses Gerät darf nur mit einem zugelassenen Schlauch und Druckregler betrieben werden.
 - Die Gasflasche darf nur in aufrechter Position benutzt werden.
 - Nur für den Betrieb mit Gasflaschen zugelassen, die nicht höher sind als 500 mm.
 - Gasgeräte erfordern eine Belüftung, um einen effizienten Betrieb sowie die Sicherheit von Benutzern und anderen Personen in unmittelbarer Nähe zu gewährleisten.
- Nur im Freien benutzen!**
- Warnung: Berührbare Teile können sehr heiß werden. Kleine Kinder vom Gerät fernhalten.

98700-21, 98700-23					
Verwendungsland	BE, CH, CY, CZ, ES, FR, GB, GR, IE, IT, LT, LU, LV, PT, SK & SI		PL	BE, CY, DK, EE, FR, FI, HU, IT, LT, NL, NO, SE, SI, SK, RO, HR, TR, BG, IS, LU, MT, & ZA	AT, CH, DE & SK
Geräteklassen	I ₃₊ (28-30/37)		I _{3B/P} (37)	I _{3B/P} (30)	I _{3B/P} (50)
Zulässige Gase	Butan	Propan	Butan, Propan-Gemische		
Betriebsdrücke	28-30mBar	37mBar	37mBar	28-30 mBar (Südafrika 2,8 kPa)	50mBar
Hauptgrilleinheit					
Anzahl Düsen	0.92			0.81	
Nennverbrauch (Butan)	255g/hr pro Brenner	277g/hr pro Brenner	255g/hr pro Brenner	255g/hr pro Brenner	
Nominale Bruttowärmezufuhr	3.5kw pro Brenner (3.5kW x 2 = 7kW)	3.8kw pro Brenner (3.8kW x 2 = 7.6kW)	3.5kw pro Brenner (3.5kW x 2 = 7kW)	3.5kw pro Brenner (3.5kW x 2 = 7kW)	
Seitenbrenner (98700-23)					
Anzahl Düsen	0.88			0.75	
Nennverbrauch (Butan)	218g/hr	255g/hr	218g/hr	218g/hr	
Nominale Bruttowärmezufuhr	3.0kW	3.5kW	3.0kW	3.0kW	
Gasquellen	Ein zugelassener Schlauch mit Druckregler, der an eine nachfüllbare Gasflasche angeschlossen ist, die nicht schwerer als 9 kg ist und die jeweils vor Ort geltenden Vorschriften erfüllt				

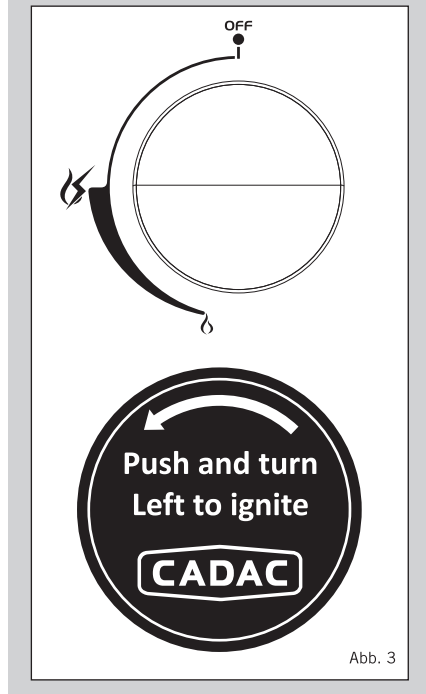
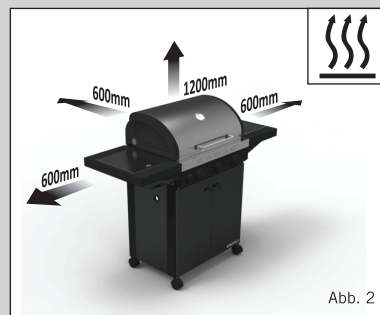
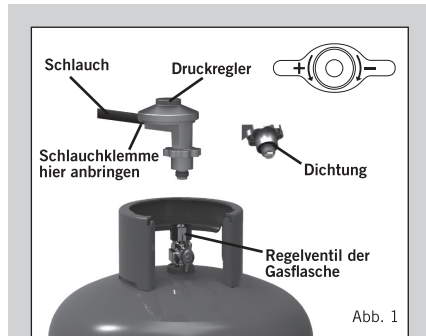
Country Name and Abbreviations				
AE = United Arab Emirates	AL = Albania	AT = Austria	BE = Belgium	CH = Switzerland
CZ = Czech Republic	DE = Germany	DK = Denmark	ES = Spain	FI = Finland
FR = France	GB = United Kingdom	GR = Greece	HR = Croatia	IT = Italy
JP = Japan	KR = Korea	NL = Netherlands	NO = Norway	PL = Poland
PT = Portugal	RO = Romania	RU = Russia	RS = Serbia	SI = Slovenia
SK = Slovakia	SE = Sweden	TR = Turkey		

2. Sicherheitsinformationen

- Vor jedem Gebrauch und vor dem Anschließen der Gasflasche sind der Schlauch und die Dichtung des Druckreglers auf Verschleißspuren oder Beschädigungen zu prüfen (siehe Abb. 1).
- Vergewissern Sie sich, dass das Gerät nicht in der Nähe von entzündlichen Materialien betrieben wird. Der Sicherheitsabstand beträgt über dem Gerät mindestens 1,2 m und seitlich sowie hinter dem Gerät jeweils 600 mm (siehe Abb. 2).
- Das Gerät darf nicht benutzt werden, wenn es beschädigt ist, leckt oder nicht einwandfrei funktioniert.
- Gasflaschen von Hitze und Flammen fernhalten. Nicht auf einem Herd oder anderen heißen Oberflächen abstellen.
- Vergewissern Sie sich, dass die montierte Einheit stabil ist und nicht wackelt.
- Die primären Öffnungen für die Luftzufuhr in den Brennern dürfen nicht abgedeckt oder verändert werden. Dies würde die Leistung des Produkts beeinflussen und zu einer instabilen Flammenbildung führen.
- Unterbrechen Sie im Falle einer Rückzündung (bei der die Flamme zurückschlägt und sich an der Düse entzündet) sofort die Gaszufuhr, indem Sie zunächst das Regelventil auf der Gasflasche und danach das Ventil am Gerät schließen. Bauen Sie den Regler aus, nachdem die Flamme erloschen ist, und prüfen Sie den Zustand der Dichtung. Im Zweifelsfall die Dichtung erneuern. Entzünden Sie das Gerät wieder, wie untenstehend in Abschnitt 3 beschrieben. Falls die Flamme nach wie vor zurückschlägt, ist das Gerät zu einem autorisierten CADAC-Reparaturdienst zu bringen.
- Nehmen Sie keine Veränderungen an dem Gerät vor und verwenden Sie es nicht für Zwecke, für die es nicht ausgelegt ist.
- Während des Betriebs werden Teile des Geräts heiß. Das gilt insbesondere für die Grillbereiche und die Abdeckung. Vermeiden Sie es, heiße Teile mit bloßen Händen zu berühren. Wir empfehlen die Verwendung von Ofenhandschuhen.
- Kleine Kinder sind stets vom Gerät fernzuhalten.
- Dieses Gerät verbraucht Sauerstoff. Um einen optimalen Betrieb sowie die Sicherheit in seiner unmittelbaren Nähe zu gewährleisten, ist eine ausreichende Belüftung erforderlich. Nur im Freien benutzen!
- Das Gerät darf nicht bewegt werden, solange es in Betrieb ist.
- Die vom Hersteller bzw. seinem Vertriebshändler versiegelten Teile dürfen vom Benutzer nicht verändert werden.

HINWEIS

- Den Schlauch nicht drehen oder einklemmen. Achten Sie darauf, dass er nicht direkt am Gehäuse des Grills verläuft, um Verschleiß/Beschädigungen des Schlauchs durch Hitze zu verhindern.
- Ein Ende des Niederdruckschlauchs an das Mündungsstück des Reglers anschließen. Das andere Ende aus dem Unterschrank durch die Öffnung in der linken Seitenwand führen und am Mündungsstück des Patio-Grills anbringen. Die Schlauchenden dabei möglichst fest auf die Anschlüsse schieben. Beide Schlauchenden mit Schlauchschellen fixieren.
- Achten Sie darauf, dass die Verbindungen gut gesichert sind und dass kein Gas austreten kann.
- Überprüfen Sie die Anlage vor der Verwendung des Geräts auf undichte Stellen.
- Das Gerät ist zur Verwendung mit einem zugelassenen Schlauch mit Druckregler bestimmt, der an eine nachfüllbare Gasflasche angeschlossen ist, die nicht schwerer als 11 kg ist und die jeweils vor Ort geltenden Vorschriften erfüllt.
- Die Belüftungsöffnungen im Schrank nicht abdecken.
- Nehmen Sie keine Änderungen an dem Gerät vor. Änderungen am Gerät können zur Gefahr werden.



3. Verwendung des Geräts

- Die Gasflasche von der Rückseite des Schanks her einführen und an den dafür vorgesehenen Platz im Unterschrank stellen.
- Das Gerät darf nur auf einem stabilen, ebenen Untergrund verwendet werden.
- Vergewissern Sie sich vor der Verwendung, dass die Tropfschale eingesetzt ist.
- Überprüfen Sie, ob die Gasflasche korrekt an das Gerät angeschlossen ist.
- Vergewissern Sie sich, dass das Regelventil der Gasflasche geöffnet ist.
- Hinweis! Alle Brenner sind mit einer Zündautomatik ausgestattet
- Zum Entzünden des Geräts mit der Zündautomatik vergewissern Sie sich zunächst, dass die Haube geöffnet ist. Den Bedienknopf eindrücken und gegen den Uhrzeigersinn drehen, bis ein Federwiderstand zu spüren ist. Den Knopf 3 bis 5 Sekunden lang in dieser Position gedrückt halten, so dass Gas einströmen kann. Anschließend den Knopf gegen den Uhrzeigersinn ganz nach links in die Position HIGH (HOCH) drehen. Die Zündautomatik zündet nun den Brenner. Falls der Brenner nicht beim ersten Versuch zündet, den Bedienknopf in die Position OFF (AUS) bringen und 5 Minuten warten. Danach den Vorgang wiederholen, bis der Brenner zündet.
- Zündung von Hand: Zum Zünden der Brenner von Hand zunächst die Grillplatte und das darunter liegende Umlenklech herausnehmen. Ein Streichholz oder Feuerzeug entzünden und an den linken Brenner halten. Die Gaszufuhr nur zu diesem Brenner öffnen. Hierzu das Regelventil eindrücken und gegen den Uhrzeigersinn drehen. Der Brenner wird nun gezündet. Nachdem der Brenner gezündet wurde, das Umlenklech und die gusseiserne Grillplatte vorsichtig wieder einsetzen. Nun können die übrigen Brenner gezündet werden.
- Die Flammen der einzelnen Brenner können mit den Bedienknöpfen auf die gewünschte Intensität eingestellt werden. Durch Drehen des Knopfes gegen den Uhrzeigersinn wird die Flamme kleiner gestellt, durch Drehen im Uhrzeigersinn größer (siehe Abb.3).
- Schließen Sie nach der Benutzung zunächst das Ventil an der Gasflasche. Schließen Sie nach Erlöschen der Flamme die Bedienknöpfe der Brenner am Gerät, indem Sie die Knöpfe ganz nach rechts (im Uhrzeigersinn) drehen.

4. 4. Einbau und Austausch der Gasflasche

- Vergewissern Sie sich, dass die Gummidichtung des Reglers richtig sitzt und in gutem Zustand ist, bevor Sie das Gerät an eine Gasflasche anschließen.
- Diese Kontrolle ist jedes Mal durchzuführen, wenn das Gerät an eine Gasflasche angeschlossen wird (siehe Abb. 1).
- Blasen Sie Staub von der Flaschenöffnung, um zu verhindern, dass dieser die Düsen verstopft.
- Achten Sie darauf, dass die Gasflasche im Freien eingebaut bzw. gewechselt wird und dass sich keine Zündquellen wie offenes Feuer und keine anderen Personen in der Nähe befinden.
- Die Gasflasche ist stets aufrecht zu halten. Drehen Sie den Regler handfest auf die Flasche, bis er vollständig eingreift.
- Falls Ihr Gerät ein Leck aufweist (Gasgeruch), löschen Sie sofort alle Zündquellen in der Nähe des Geräts. Sie können Ihr Gerät auf Undichtigkeiten prüfen, indem Sie Seifenlauge auf die Stellen auftragen, an denen Sie ein Leck vermuten. Bilden sich Blasen, so deutet dies auf ein Gasleck hin. Überprüfen Sie, ob alle Anschlüsse fest angezogen sind, und wiederholen Sie die Prüfung mit der Seifenlauge. Falls Sie das Gasleck nicht auffindig machen können, darf das Gerät nicht verwendet werden. Wenden Sie sich in diesem Fall an Ihren CADAC-Vertriebshändler.
- Zum Wechseln der Gasflasche folgendermaßen vorgehen: Zunächst das Ventil an der Gasflasche und danach das Ventil am Gerät schließen. Achten Sie darauf, dass die Flamme erloschen ist. Nun den Regler lösen. Setzen Sie den Regler auf eine volle Gasflasche auf. Gehen Sie dabei genauso vorsichtig vor, wie oben beschrieben.
- Überprüfen Sie die Anlage nach der Montage des Geräts auf Gaslecks, bevor das Gerät in Betrieb genommen wird.

5. Allgemeine Wartung

- Für dieses Gerät gelten keine vorgeschriebenen Wartungsintervalle.
- Es ist gefährlich, ein Gerät mit rissigen oder brüchigen Dichtungen und/oder Schläuchen zu betreiben. Überprüfen Sie die Dichtungen und den Schlauch regelmäßig und tauschen Sie sie vor der Verwendung des Geräts aus, falls sie sich nicht in ordnungsgemäßem Zustand befinden.
- Nach dem Betrieb ist das Gerät heiß. Lassen Sie es in ausreichendem Maße abkühlen, bevor Sie Wartungsarbeiten durchführen.
- CADAC Patio-Grills sind mit speziellen CADAC-Düsen für die Regelung der korrekten Gasmenge ausgestattet. Verstopft die Bohrung in der Düse, kann dies dazu führen, dass sich nur eine kleine oder gar keine Flamme bildet. Versuchen Sie nicht, die Düse mit einer Nadel o. Ä. zu reinigen, da dies die Bohrung beschädigen und den sicheren Betrieb des Geräts gefährden könnte. Die Düsengrößen entnehmen Sie bitte der „Einführung“ (Abschnitt 1).

5.1. Austausch einer verstopften Düse

- Vergewissern Sie sich, dass das Ventil an der Gasflasche geschlossen ist. Trennen Sie nun das Gerät von der Gasflasche.
- Nehmen Sie die Grillplatten heraus. Entfernen Sie die Flame Tamers, um die Brenner freizulegen. Lösen Sie die Halteschrauben des betroffenen Brenners.
- Heben Sie den betreffenden Brenner heraus. Achten Sie dabei darauf, das Regelventil nicht zu beschädigen. Nun liegt die Düse frei.
- Schrauben Sie die verstopfte Düse mit einem geeigneten Maulschlüssel heraus und setzen Sie eine neue Düse ein. Keine Zange verwenden! Dies kann die Düse beschädigen, so dass sie unbrauchbar wird oder sich nicht mehr lösen lässt.
- Beim Wiedereinbau in umgekehrter Reihenfolge vorgehen. Die Düse nicht zu fest anziehen, da dies die Düse beschädigen könnte.

5.2. Austausch des Schlauchs

- Die Schlauchlänge sollte zwischen 0,8 m und 1,2 m liegen. Prüfen Sie das Haltbarkeitsdatum auf dem Schlauch und tauschen Sie ihn aus, falls dies erforderlich ist. Der Einbau des Schlauchs wird in Abschnitt 2 beschrieben. Dieses Gerät darf nur mit LPG-Schläuchen betrieben werden, die den Normen SANS 1156-2, BS 3212 oder DIN4815 entsprechen.
- Der verwendete Schlauch muss den Normen BS 3212:1991 / SABS 1156-2:2010 oder einer gleichwertigen Norm entsprechen

5. Allgemeine Wartung - Fortsetzung.

5.3. Austausch des Reglers

- In Südafrika muss ein 2,8 kPa-Regler verwendet werden, welcher der Norm SANS 1237 entsprechen muss.
- Verwenden Sie einen 30 mbar-Regler für Butan (oder Propan) für die Gaskategorie I3B/P(30).
- Verwenden Sie einen 30 mbar-Regler für Butan für die Gaskategorie I3+(28-30) für Butan.
- Verwenden Sie einen 37 mbar-Regler für Propan für die Gaskategorie I3+(37) für Propan.
- Verwenden Sie einen 50 mbar-Regler für Butan (oder Propan) für die Gaskategorie I3B/P(50).
- Es ist wichtig, dass der Anschluss zwischen Reglerausgang und Niederdruckschlauch fest angezogen und mit einer Schlauchschelle aus Metall gesichert ist. Überprüfen Sie die Verbindung immer auf Gaslecks, wie obenstehend in Abschnitt 4 beschrieben.

6. Fehlersuche

- Eine normale Flamme ist blau und kann eine orangefarbene oder gelbe Spitze besitzen. Ist die gesamte Flamme gelb, kann dies bedeuten, dass die Düse nicht ordnungsgemäß eingesetzt ist. Ziehen Sie die Düse nach, um sicherzustellen, dass kein Gas austritt. Eine überfüllte Gasflasche kann ebenfalls eine gelbe Flamme erzeugen. Ist dies der Fall, sollte die Flasche zum Befüller zurückgebracht werden, um ihr Gewicht zu prüfen.
- Vergewissern Sie sich, dass die primären Öffnungen für die Luftzufuhr (Löcher) in den Brennern nicht abgedeckt oder verstopft sind.
- Falls die Intensität der Flamme abnimmt oder sich das Gas nicht entzündet lässt, ist zu prüfen, ob die Gasflasche noch Gas enthält (beim Schütteln muss das Geräusch einer Flüssigkeit zu hören sein). Falls die Flasche noch Gas enthält, ist womöglich die Düse (teilweise) verstopft.
- Falls Sie eine verstopfte Düse als Ursache vermuten, folgen Sie den oben aufgeführten Anweisungen, um sie zu reinigen oder zu ersetzen.

7. Reinigung

- Das Gehäuse kann einfach mit einem feuchten Tuch und gegebenenfalls etwas Reinigungsmittel gesäubert werden.
- Verwenden Sie keine Scheuermittel oder Scheuerschwämme, da diese die Lackierung dauerhaft beschädigen.
- Zwar ist Edelstahl wesentlich weniger anlauf- und rostanfällig als herkömmliche Stahlsorten, dennoch bedarf auch Edelstahl einer ordnungsgemäßen Pflege. Wir empfehlen Folgendes:
- Entfernen Sie leichte Verschmutzungen nach Gebrauch mit klarem Wasser und einem weichen Tuch. Für stärkere Verschmutzungen empfehlen wir einen handelsüblichen Edelstahlreiniger, der mit einem weichen Tuch aufgetragen wird. Achten Sie darauf, alle Rückstände des Edelstahlreinigers nach der Reinigung Ihres Grills zu entfernen.
- Zum Entfernen kleiner Flecken oder angelaufener Stellen eignet sich ein leichter, nichtmetallischer Reinigungsschwamm. Wichtig: Reiben Sie immer in Richtung der natürlichen Maserung des Edelstahls, damit keine sichtbaren Kratzspuren zurückbleiben.
- Ein Tipp: Sie sollten den Grill immer abdecken, damit kein Staub oder Salz auf die Edelstahlfächen gelangt.
- Mit ein wenig Pflege behält Ihr hochwertiger Edelstahlgrill sein elegantes Äußeres und seinen Wert für lange Zeit.

8. Lagerung

- Gehen Sie vorsichtig mit dem Gerät um. Lassen Sie es nicht fallen.
- Warten Sie nach der Benutzung, bis das Gerät sich abgekühlt hat. Lösen Sie dann die Gasflasche und lagern Sie das Gerät an einem kühlen, trockenen Ort mit ausreichendem Abstand zu eventuellen Hitzequellen.
- Schließen Sie die Haube, wenn das Gerät nicht in Betrieb ist, damit kein Schmutz und keine Insekten in das Gerät fallen und den Gasdurchfluss beeinträchtigen können.
- Verwenden Sie eine CADAC-Grillabdeckung – vor allem, wenn das Gerät im Freien gelagert wird.
- Vergewissern Sie sich vor jeder Verwendung, dass die Brenner und Venturidüsen frei von Insekten, Staub und Spinnweben sind.

9. Ersatzteile und Zubehör

- Verwenden Sie stets Original-Ersatzteile von CADAC, weil diese die optimale Leistung ergeben.

Beschreibung	Teile-Nr.
Düse Nr. 0.92 (28 mbar) / (2,8 kPa - nur Südafrika)	0.92
JDüse Nr. 0.81 (50 mbar)	0.81
Düse Nr. 0.88 (Seitenbrenner) (28 mbar) / (2,8 kPa - nur Südafrika)	0.88
Düse Nr. 0.75 (Seitenbrenner) (50 mbar)	0.75
Abdeckung für Stratos mit 3 Brennern	98700-30-CVR
Abdeckung für Stratos mit 4 Brennern	98700-40-CVR
Warmhalteplatte für Stratos	98700-50
Wendegrillplatte für Stratos	98700-51

10. Rückgabe des Geräts zur Reparatur oder Wartung

- Nehmen Sie keine Änderungen an dem Gerät vor. Dies kann den sicheren Betrieb des Geräts beeinträchtigen.
- Jegliche Änderungen führen zum Erlöschen der Garantie von CADAC (Pty) Ltd.
- Falls Sie einen Fehler nicht anhand der hier beschriebenen Anweisungen beheben können, wenden Sie sich bitte an Ihren CADAC-Vertriebshändler, um das Gerät prüfen und/oder reparieren zu lassen.

11. Garantie

- CADAC (Pty) Ltd hereby warrants to the ORIGINAL PURCHASER of this CADAC Gas Barbecue, that it will be free of defects in material and workmanship from the date of purchase as follows:

Ventile:	5 Jahre
Kunststoffteile:	Garantiausschluss Emailierte
Teile (außer Flame Tamer):	5 Jahre
Gusseisen:	5 Jahre
Lackierte Rahmen:	1 Jahr
Edelstahlbrenner:	2 Jahre
Emailierte Flame Tamer:	2 Years

Diese Garantie ist nur dann gültig, wenn die Einheit gemäß den schriftlichen Anweisungen montiert und betrieben wurde.

CADAC kann einen hinreichenden Beweis für das Kaufdatum verlangen. BEWAHREN SIE DAHER DEN KAUFBELEG ODER DIE RECHNUNG AUF.

Diese begrenzte Garantie beschränkt sich auf die Reparatur oder den Austausch von Teilen, die bei normaler Nutzung und Wartung einen nachweislichen Defekt aufweisen und die sich bei genauerer Prüfung im Ermessen von CADAC als defekt erweisen. Wenden Sie sich zunächst an die Kundendienstvertretung in Ihrer Nähe, bevor Sie Teile einschicken. Nutzen Sie hierzu die Kontaktinformationen in Ihrer Bedienungsanleitung oder rufen Sie an unter 0860 223 220 (nur Südafrika). Falls CADAC den Defekt und damit den Garantieanspruch bestätigt, wird das defekte Teil kostenlos ausgetauscht. CADAC sendet die Teile fracht- oder portofrei an den Käufer zurück.

Diese begrenzte Garantie deckt keine Mängel oder Bedienungsschwierigkeiten ab, die auf einen Unfall, eine unsachgemäße oder falsche Nutzung, Modifizierungen, eine falsche Anwendung, Vandalismus, die unsachgemäße Aufstellung oder unsachgemäße Wartung oder Pflege oder die ausbleibende Durchführung der normalen und routinemäßigen Wartung, wie in dieser Bedienungsanleitung beschrieben, zurückzuführen sind, einschließlich u. a. Schäden durch Insekten in den Brennerrohren. Verschleiß oder Schäden durch extreme Witterungseinflüsse wie Hagel, schwere Stürme, Erdbeben oder Tornados sowie Verfärbungen durch den Kontakt mit Chemikalien, sei es unmittelbar oder über die Luft, fallen nicht unter diese begrenzte Garantie.

Abgesehen von der hier aufgeführten Garantie gelten keine anderen ausdrücklichen Gewährleistungen. Die stillschweigenden Garantien für die allgemeine Gebrauchstauglichkeit und Tauglichkeit für einen bestimmten Zweck beschränken sich auf den Garantiezeitraum dieser ausdrücklichen schriftlichen begrenzten Garantie. In manchen Ländern ist eine zeitliche Begrenzung der stillschweigenden Garantie nicht zulässig. In diesen Fällen hat diese Begrenzung keine Gültigkeit.

CADAC haftet nicht für besondere, indirekte oder Folgeschäden. In einigen Ländern ist der Ausschluss oder die Begrenzung von beiläufig entstandenen Schäden oder Folgeschäden nicht zulässig. In diesen Fällen hat diese Begrenzung bzw. der Ausschluss keine Gültigkeit.

CADAC beauftragt keine anderen Personen oder Unternehmen mit der Übernahme irgendwelcher anderer Verpflichtungen oder Haftungen in Verbindung mit dem Verkauf, der Installation, Verwendung, Beseitigung, Rückgabe oder dem Austausch seiner Geräte; CADAC ist an keine dieser Vertretungen gebunden.

Diese Garantie gilt nur für Produkte, die im Einzelhandel erworben wurden.

Um einen unbeschwerten Betrieb und die Langlebigkeit Ihres CADAC-Produkts zu gewährleisten, befolgen Sie bitte die Reinigungs- und Pflegeanweisungen der Bedienungsanleitung. Dies gilt insbesondere für die Pflege des Edelstahls.

WAARSCHUWING

Alleen voor gebruik buitenshuis!

Dit apparaat mag niet worden gebruikt op een afgesloten balkon, veranda of terras!

BELANGRIJK

Lees vóór gebruik deze instructies zorgvuldig door om vertrouwd te raken met het apparaat.

Bewaar deze instructies voor latere referentie.

1. Inleiding

- Dit apparaat voldoet aan BS EN 498: 2012 en SANS 1539:2012
- Dit apparaat mag alleen worden gebruikt met een goedgekeurde slang en drukregelaar.
- De gasfles mag alleen rechtopstaand worden gebruikt.
- Alleen te gebruiken met een gasfles die niet hoger is dan 500 mm.
- Gasapparaten hebben ventilatie nodig voor efficiënte werking en om de veiligheid van gebruikers en personen in de buurt te garanderen.
- **Alleen buitenshuis gebruiken!**
- **Waarschuwing:** Toegankelijke onderdelen kunnen erg heet zijn. Uit de buurt van kleine kinderen houden.

98700-21, 98700-23				
Land van gebruik	BE, CH, CY, CZ, ES, FR, GB, GR, IE, IT, LT, LU, LV, PT, SK & SI	PL	BE, CY, DK, EE, FR, FI, HU, IT, LT, NL, NO, SE, SI, SK, RO, HR, TR, BG, IS, LU, MT, & ZA	AT, CH, DE & SK
Apparaatcategorieën	I ₃ (28-30/37)	I _{3B/P} (37)	I _{3B/P} (30)	I _{3B/P} (50)
Toegestane gassen	Butaan	Propaan	Butaan, Propaan bij Butaan/propaanmengsels	
Bedrijfsdruk	28-30mBar	37mBar	37mBar	28-30 mBar (Zuid-Afrika 2,8 kPa) 50mBar
BBQ hoofdeunit				
Nummer straalpijp	0.92			0.81
Nominaal verbruik (Butaan)	255g/hr per brander	277g/hr per brander	255g/hr per brander	255g/hr per brander
Bruto nom. vermogen	3.5kw per brander (3.5kW x 2 = 7kW)	3.8kw per brander (3.8kW x 2 = 7.6kW)	3.5kw per brander (3.5kW x 2 = 7kW)	3.5kw per brander (3.5kW x 2 = 7kW)
Zijbranders (98700-23)				
Nummer straalpijp	0.88			0.75
Nominaal verbruik (Butaan)	218g/hr	255g/hr	218g/hr	218g/hr
Bruto nom. vermogen	3.0kW	3.5kW	3.0kW	3.0kW
Gastoevoer	Een goedgekeurde slang en drukregelaar aangesloten op een hervulbare gasfles die niet zwaarder is dan 9kg en die voldoet aan de plaatselijke voorschriften			

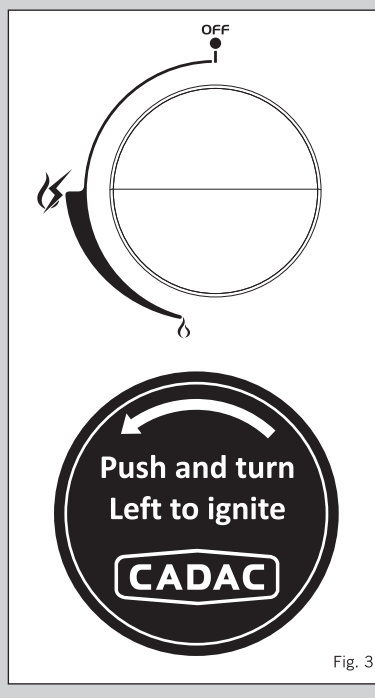
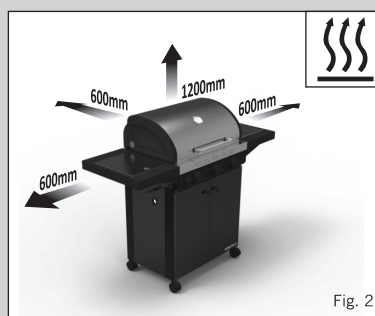
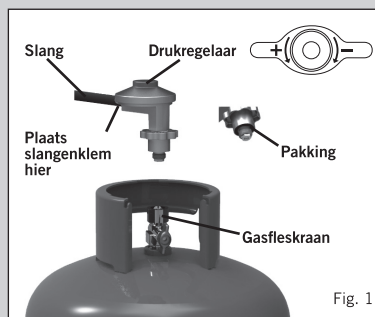
Landnamen en afkortingen				
AE = United Arab Emirates	AL = Albania	AT = Austria	BE = Belgium	CH = Switzerland
CZ = Czech Republic	DE = Germany	DK = Denmark	ES = Spain	FI = Finland
FR = France	GB = United Kingdom	GR = Greece	HR = Croatia	IT = Italy
JP = Japan	KR = Korea	NL = Netherlands	NO = Norway	PL = Poland
PT = Portugal	RO = Romania	RU = Russia	RS = Serbia	SI = Slovenia
SK = Slovakia	SE = Sweden	TR = Turkey		

2. Veiligheidsinformatie

- De slang en pakking op de drukregelaar dienen gecontroleerd te worden op slijtage of beschadiging voor ieder gebruik en voor aansluiting op de gasfles (zie fig.1).
- Zorg ervoor dat het apparaat niet in de buurt van brandbare materialen gebruikt wordt. De minimale veilige afstand is 1,2 m boven het apparaat en 600 mm vanaf de achterkant en vanaf de zijkanten van het apparaat (zie fig. 2).
- Gebruik geen apparaat dat lekt, beschadigd is of niet naar behoren werkt.
- Houd gasflessen uit de buurt van hitte en open vuur. Niet op een fornuis of ander heet oppervlak plaatsen.
- Zorg ervoor dat het gemonteerde apparaat stabiel staat en niet wiebelt.
- Blokkeer of verander de belangrijkste luchttoevoeropeningen in de branders niet. Dit kan de prestaties van het product beïnvloeden en een onstabiele vlam geven.
- In het geval van terugslag, (als de vlam terugslaat en ontbrandt in de straalpijp), dient de gastoevoer onmiddellijk te worden afgesloten door eerst de regelkraan op de gasfles dicht te draaien en daarna de gaskraan op het apparaat. Nadat de vlam is gedoofd, verwijdert u de drukregelaar en controleert u de toestand van de pakking. Bij twijfel de pakking vervangen. Steek het apparaat opnieuw aan zoals beschreven in sectie 3 hieronder. Als de vlam blijft terugslaan, breng het apparaat dan terug naar uw bevoegde CADAC-reparateur.
- Pas het apparaat niet aan en gebruik het niet voor zaken waar het niet voor bedoeld is.
- Tijdens het gebruik zullen delen van het apparaat heet worden, vooral de kookgedeelten en het deksel. Voorkom het aanraken van hete onderdelen met de blote handen. Het gebruik van ovenhandschoenen wordt aanbevolen.
- Houd kleine kinderen altijd uit de buurt van het apparaat.
- Dit apparaat verbruikt zuurstof en heeft ventilatie nodig om optimaal te kunnen presteren en om de veiligheid van mensen in de nabije omgeving te garanderen. Alleen buitenshuis gebruiken!
- Verplaats het apparaat niet wanneer het in gebruik is.
- De onderdelen die door de fabrikant of zijn vertegenwoordiger verzegeld zijn mogen niet gewijzigd worden door de gebruiker.

LET OP

- Draai de slang niet en zorg dat deze niet beklemd raakt. Houd de slang uit de buurt van de barbecue om aantasting/beschadiging door de hitte te voorkomen.
- Bevestig een uiteinde van de lagedrukslang aan het mondstuk van de drukregelaar. Voer het andere uiteinde vanuit de binnenkant van de kast door de opening in het linkerzijpaneel naar het Patio BBQ mondstuk. Druk de uiteinden zo stevig mogelijk vast. Klem beide uiteinden van de slang met slangenklemmen vast.
- Zorg ervoor dat de verbindingen stevig zijn en er geen gas lekt.
- Controleer op gaslekken voor u het apparaat gaat gebruiken.
- Voor gebruik met een goedgekeurde slang en drukregelaar aangesloten op een hervulbare gasfles die niet zwaarder is dan 11 kg en die voldoet aan de lokale voorschriften.
- Dek de ventilatieopeningen van de kast niet af.
- Pas het apparaat niet aan. Het aanpassen van het apparaat kan gevaarlijk zijn.



3. Het apparaat gebruiken

- Plaats de gasfles via de achterkant in de daarvoor bestemde ruimte in de kast.
- Gebruik het apparaat alleen op een stevige, vlakke ondergrond.
- Controleer of het opvangbakje op zijn plaats zit.
- Controleer of de gasfles op de juiste manier geplaatst is.
- Controleer of de regelklep van de gasfles open staat.
- LET OP! Alle branders zijn uitgerust met een automatische ontsteking.
- Voordat u het apparaat aansteekt met de automatische ontsteking moet het deksel worden geopend. Druk de regelknop in en draai deze tegen de klok in tot er verende weerstand gevoeld wordt. Houd de knop 3 tot 5 seconden in deze positie zodat het gas kan gaan stromen en draai dan de knop tegen de klok in naar HIGH. Hierdoor zal de automatische ontsteking de brander aansteken. Mocht de brander de eerste keer niet ontsteken, draai dan de knop naar OFF en wacht 5 minuten. Herhaal het proces tot de brander ontsteekt.
- Handmatige ontsteking: Om de branders handmatig aan te steken moeten eerst de grillplaat en de onderliggende deflectorplaat verwijderd worden. Steek een lucifer of een aansteker aan en houd deze naast de linker brander. Draai de gastoevoer naar deze brander open door de regelknop in te drukken en tegen de klok in te draaien. Dit zal de brander ontsteken. Als de brander eenmaal brandt, plaatst u de deflectorplaat en de gietijzere grillplaat voorzichtig weer terug. Vervolgens kunt u de overige branders op dezelfde manier aansteken.
- Met de regelaars kunt u de vlammen van elke brander apart regelen; als u de knop tegen de klok in draait wordt de vlam minder sterk en met de klok mee wordt de vlam sterker (zie fig. 3).
- Na het gebruik draait u eerst de kraan op de gasfles dicht. Wanneer het vuur uit is draait u de regelknoppen van de branders op het apparaat dicht door deze knoppen helemaal met de klok mee te draaien.

4. De gasfles plaatsen en vervangen

- Voordat het apparaat wordt aangesloten op de gasfles dient u ervoor te zorgen dat de rubberen pakking van de drukregelaar goed geplaatst is en in goede staat verkeert.
- Controleer dit elke keer dat u het apparaat op de gasfles aansluit (zie fig. 1).
- Blaas eventueel aanwezig stof uit de opening van de gasfles om eventuele verstopping van de straalpijp te voorkomen.
- Plaats of vervang de gasfles altijd buiten, uit de buurt van elke mogelijke ontstekingsbron , bijvoorbeeld open vuur, en niet in de buurt van andere mensen.
- Houd de gasfles altijd rechtop. Draai de drukregelaar met de hand op de gasfles tot deze goed vastzit.
- Wanneer het apparaat gas lekt (gaslucht), doof dan alle ontstekingsbronnen in de nabijheid van het apparaat. Als u het apparaat wilt controleren op gaslekken, gebruik dan zeepwater dat u aanbrengt op het verdachte deel. De vorming van belletjes geeft de aanwezigheid van een gaslek aan. Controleer of alle aansluitingen goed vastzitten en controleer dit opnieuw met zeepwater. Gebruik het apparaat niet als u het gaslek niet kunt repareren. Neem contact op met uw lokale CADAC-leverancier voor hulp.
- Wanneer u de gasfles vervangt, draait u eerst de kraan op de gasfles en vervolgens die op het apparaat dicht. Dit dooft de vlammen. Schroef nu de drukregelaar los. Plaats de drukregelaar op een volle gasfles, waarbij u de voorzorgsmaatregelen zoals hierboven beschreven in acht neemt.
- Nadat het apparaat volledig in elkaar is gezet dient u voor ingebruikname een gaslektest uit te voeren.

5. Algemeen onderhoud

- Er zijn geen vooraf voorgeschreven onderhoudsintervallen voor dit apparaat.
- Het is gevaarlijk een apparaat met een gebarsten of versleten pakking en/of slang te gebruiken. Controleer beide pakkingen en slang regelmatig en vervang deze als ze niet in orde zijn voordat u het apparaat gebruikt.
- Als het apparaat in gebruik is geweest, zal het heet zijn. Laat het voldoende afkoelen voordat u enig onderhoud uitvoert.
- CADAC Patio BBQ's zijn uitgerust met specifieke CADAC-straalpijpen om de juiste hoeveelheid gas te regelen. Wanneer de opening in de straalpijp verstopt raakt kan dit resulteren in een kleine vlam of helemaal geen vlam. Probeer de straalpijp niet met een pin of soortgelijk instrument te reinigen. Dit kan de opening beschadigen waardoor het apparaat onveilig kan worden. Zie "Inleiding" (sectie 1) voor afmetingen van de straalpijp.

5.1. Een verstopte straalpijp vervangen

- Controleer of de gasfleskraan dicht is en koppel vervolgens de gasfles los van het apparaat.
- Verwijder de grillplaten. Verwijder de vlamverdelers om de branders bloot te leggen. Verwijder de bevestigingsschroeven van de betreffende brander.
- Verwijder de betreffende brander door deze van zijn plaats te tillen, zodanig dat de regelkraan niet beschadigd raakt. Dit legt de straalpijp bloot.
- Schroef de verstopte straalpijp los met een geschikte sleutel en vervang deze door een nieuwe straalpijp. Gebruik geen tang op de straalpijp omdat deze schade kan veroorzaken waardoor de straalpijp onbruikbaar wordt of niet meer kan worden verwijderd.
- Voor het terugbouwen van de onderdelen voert u de procedure omgekeerd uit. Draai niet te strak aan, omdat dit de straalpijp kan beschadigen.

5.2. De slang vervangen

- De lengte van de slang moet tussen de 0,8 m en 1,2 m liggen. Controleer de houdbaarheidsdatum op de slang en vervang indien nodig. Aanbrengen van de slang is beschreven in sectie 2. Alleen een LPG-slang die voldoet aan SANS 1156-2, BS 3212 of DIN4815 mag met dit apparaat gebruikt worden.
- De gebruikte slang moet voldoen aan BS 3212:1991 / SABS 1156-2:2010 of een equivalent daarvan.

5. Algemeen onderhoud, vervolg

5.3. De drukregelaar vervangen

- In Zuid-Afrika dient de gebruikte drukregelaar 2,8 kPa te zijn en te voldoen aan SANS 1237.
- Gebruik een 30 mBar butaan (of propaan) drukregelaar uit gascategorie 13B/P(30)
- Gebruik een 30 mBar butaan drukregelaar uit gascategorie 13+(28-30) voor butaan.
- Gebruik een 37 mBar propaan drukregelaar uit gascategorie 13+(37) voor propaan.
- Gebruik een 50 mBar butaan (of propaan) drukregelaar uit gascategorie 13B/P(50)
- De drukregelaar en de lagedrukslang moeten strak op elkaar worden aangesloten en de aansluiting moet met een metalen slangenklem worden vastgezet. Controleer de aansluiting altijd op gaslekken, zoals beschreven in sectie 4.

6. Problemen oplossen

- Een normale vlam is blauw en kan een oranje of gele punt hebben. Als de vlam helemaal geel is, kan het zijn dat de straalpijp niet goed vastgezet is. Draai de straalpijp vast om er zeker van te zijn dat er geen gas lekt. Een overvolle gasfles kan ook grote gele vlammen veroorzaken. Als dit het geval is moet de gasfles teruggebracht worden naar het vulstation en op gewicht gecontroleerd worden.
- Controleer of de belangrijkste luchttoevoeropeningen in de branders schoon zijn en vrij zijn van obstructies.
- Als de vlam minder krachtig wordt of ontsteken niet lukt, controleert u of de gasfles nog gas bevat (schud om het geluid van vloeistof te horen). Als het gas niet op is, is mogelijk de straalpijp (geheel of gedeeltelijk) verstopt.
- Als u een verstopte straalpijp vermoedt, volgt u bovenstaande instructies om deze te reinigen of vervangen.

7. Reinigen

- Om de behuizing te reinigen gebruikt u eenvoudig een vochtige doek en indien nodig wat schoonmaakmiddel.
- Gebruik geen schurende middelen of schuurponzen omdat deze permanente schade aan de lak veroorzaken.
- Hoewel roestvrij staal vergeleken met gewoon staal uitzonderlijk goed bestand is tegen dof worden en roesten, is goed onderhoud toch noodzakelijk. We raden het volgende aan:
 - Reinig na gebruik licht verontreinigde roestvrijstalen oppervlakken met schoon water en een zachte doek. Moeilijkere delen kunt u reinigen met een in de handel verkrijgbare roestvrij-staalreiniger en een zachte doek. Let er op dat u alle achtergebleven reinigingsmiddelen verwijdert na het reinigen van uw BBQ.
- Om kleine roestplekjes of putjes te herstellen kunt u een milde kunststof schuurpons gebruiken. Het is belangrijk dat u met de natuurlijke structuur van het roestvrij staal mee schuurt om te voorkomen dat u zichtbare krassen achterlaat.
- Dek het apparaat af wanneer u het niet gebruikt om te voorkomen dat stof en zouten uit de lucht op de roestvrijstalen oppervlakken neerslaan.
- Met een beetje zorg zal uw investering in roestvrij staal van hoge kwaliteit zijn mooie afwerking en waarde lange tijd behouden.

8. Opslag

- Behandel het apparaat met zorg. Laat het niet vallen.
- Wacht na gebruik tot het apparaat is afgekoeld, koppel de gasfles los en zet het apparaat weg op een droge, koele plaats.
- Houd het deksel dicht wanneer de barbecue niet wordt gebruikt om te voorkomen dat er vuil en insecten in het apparaat vallen. Dit kan de gastoevoer beïnvloeden.
- Gebruik een barbecuehoes van CADAC, vooral als het apparaat buiten blijft staan.
- Controleer voor elk gebruik of er geen insecten, stof en spinnenwebben in de branders en venturibuizen zitten.

9. Reserveonderdelen en accessoires

- Gebruik altijd originele CADAC-reserveonderdelen omdat deze gemaakt zijn om het apparaat optimaal te laten functioneren

Omschrijving	Onderdeelnr.
Straalpijp nr. 0,92 (28 mBar) / (2,8 kPa - alleen SA)	0.92
Straalpijp nr. 0,81 (50 mBar)	0.81
Straalpijp nr. 0,88 (Zijbrander) (28 mBar) / (2,8 kPa - alleen SA)	0.88
Straalpijp nr. 0,75 (Zijbrander) (50 mBar)	0.75
Stratos 3B deksel	98700-30-CVR
Stratos 4B deksel	98700-40-CVR
Stratos opwarmpan	98700-50
Stratos omkeerbare grillplaat	98700-51

10. Het apparaat terugsturen voor reparatie of service

- het apparaat niet aan. Hierdoor kan het apparaat onveilig worden.
- Elke aanpassing zal de garantie van CADAC (Pty) Ltd ongeldig maken.
- Lukt het niet de problemen volgens de instructies te herstellen, neem dan contact op met uw plaatselijke CADAC-leverancier voor onderzoek en/of reparatie.

11. Garantie

- CADAC (Pty) Ltd garandeert hierbij als volgt aan de OORSPRONKELIJKE KOPER van deze CADAC Gas Barbecue, dat het apparaat vrij zal zijn van defecten aan materiaal en afwerking vanaf de datum van aankoop:

Kranen:	5 jaar
Kunststof onderdelen:	geen garantie
Emailen onderdelen (behalve de vlamverdelers):	5 jaar
Gietijzer:	5 jaar
Geverfde onderstellen:	1 jaar
Roestvrijstalen branders:	2 jaar
Emailen vlamverdelers:	2 jaar

De garantie geldt alleen als het apparaat overeenkomstig de instructies is gemonteerd en gebruikt.

CADAC kan verzoeken om een bewijs van aankoop. BEWAAR DAAROM DE BON OF FACTUUR. Deze garantie beperkt zich tot de reparatie of vervanging van onderdelen die ondanks normaal gebruik en service defect zijn, wat na onderzoek door CADAC bevestigd wordt. Voor het terugsturen van onderdelen neemt u contact op met de klantenservice in uw regio m.b.v. de contactinformatie die u hebt ontvangen bij de handleiding of belt u met 0860 223 220 (alleen Zuid-Afrika) Wanneer CADAC het defect bevestigt en de claim goedgeurt zal CADAC besluiten de onderdelen kosteloos te vervangen. CADAC zal de onderdelen franco terugsturen naar de koper.

Deze beperkte garantie dekt geen defecten of operationele problemen als gevolg van een ongeluk, misbruik, verkeerd gebruik, aanpassingen, onjuiste handelingen, vandalisme, verkeerde installatie of slecht onderhoud of service, het niet uitvoeren van normaal en routineonderhoud, met inbegrip van maar niet beperkt tot schade veroorzaakt door insecten in de buizen van de branders zoals uiteengezet in deze gebruikershandleiding.

Aantasting of schade door extreme weersomstandigheden zoals hagel, zware storm, aardbevingen of tornado's, verkleuring door blootstelling aan chemicaliën zowel rechtstreeks als aanwezig in de atmosfeer, wordt niet gedekt door deze beperkte garantie.

Er zijn geen andere uitdrukkelijke garanties behalve hetgeen hier vermeld en enige andere impliciete garantie van verkoopbaarheid en geschiktheid zijn beperkt tot de periode van deze uitdrukkelijke beperkte garantie. Sommige regio's staan geen beperking toe op hoe lang een impliciete garantie mag duren. Het is dus mogelijk dat deze beperking niet voor u geldt.

CADAC is niet aansprakelijk voor speciale, indirecte of gevolgschade. Sommige regio's staan de uitsluiting of beperking van incidentele of gevolgschade niet toe, dus mogelijk geldt deze beperking of uitsluiting niet voor u.

CADAC autoriseert geen enkele persoon en geen enkel bedrijf voor het nemen van enige aansprakelijkheid of verplichting in verband met de verkoop, de installatie, het gebruik, de afvoer, de terugzending of de vervanging van zijn apparatuur; en zulke vertegenwoordigingen zijn niet bindend voor CADAC.

Deze garantie geldt alleen voor producten verkocht via de detailhandel.

Raadpleeg de secties Reinigen en Algemeen onderhoud, in het bijzonder de aanwijzingen over het onderhoud van roestvrij staal, om langdurig en optimaal te genieten van uw CADAC-product.

AVERTISS

Cet appareil ne doit être utilisé qu'à l'extérieur.

Cet appareil ne peut pas être utilisé sur un balcon clos à l'extérieur, sous un porche, sur un terrain de loisirs.

IMPORTANT

Lire attentivement ces instructions afin de vous familiariser avec l'appareil avant utilisation.

Conserver ces instructions pour référence ultérieure.

1. Introduction

- Cet appareil est conforme à la norme BS EN 498 : 2012 et SANS 1539:2012
 - Cet appareil ne doit être utilisé qu'avec un tuyau et un détendeur homologués.
 - La bouteille de gaz ne doit être utilisée qu'en position verticale.
 - L'appareil ne doit être utilisé qu'avec une bouteille de gaz d'une hauteur maximale de 50 cm.
 - Les appareils à gaz nécessitent une ventilation de façon à garantir des performances optimales et à assurer la sécurité des utilisateurs et des autres personnes à proximité immédiate.
- Pour utilisation à l'extérieur uniquement.**
- Attention :Les parties accessibles peuvent être extrêmement chaudes. Tenir les jeunes enfants à l'écart.

98700-21, 98700-23				
Pays d'utilisation	BE, CH, CY, CZ, ES, FR, GB, GR, IE, IT, LT, LU, LV, PT, SK & SI	PL	BE, CY, DK, EE, FR, FI, HU, IT, LT, NL, NO, SE, SI, SK, RO, HR, TR, BG, IS, LU, MT, & ZA	AT, CH, DE & SK
Catégories d'appareil	I ₃₄ (28.30/37)	I _{3B/P} (37)	I _{3B/P} (30)	I _{3B/P} (50)
Gaz admissibles	Butane	Propane	Mélanges Butane/Propane	
Pression en service	28-30mBar	37mBar	37mBar	28-30 mBar (Afrique du sud 2,8 kPa) 50mBar
Principaux barbecues				
Calibre d'injecteur	0.92			0.81
Consommation nominale (Butane)	255g/hr par brûleur	277g/hr par brûleur	255g/hr par brûleur	255g/hr par brûleur
Gross nom. heat input	3.5kw par brûleur (3.5kW x 2 = 7kW)	3.8kw par brûleur (3.8kW x 2 = 7.6kW)	3.5kw par brûleur (3.5kW x 2 = 7kW)	3.5kw par brûleur (3.5kW x 2 = 7kW)
Brûleur latéral (98700-23)				
Calibre d'injecteur	0.88			0.75
Consommation nominale (Butane)	218g/hr	255g/hr	218g/hr	218g/hr
Gross nom. heat input	3.0kW	3.5kW	3.0kW	3.0kW
Sources d'alimentation en gaz	Un tuyau et un détendeur homologués et raccordés à une bonbonne de gaz rechargeable d'un poids maximal de 9 kg et conformes à la réglementation locale en vigueur			

Country Name and Abbreviations				
AE = United Arab Emirates	AL = Albania	AT = Austria	BE = Belgium	CH = Switzerland
CZ = Czech Republic	DE = Germany	DK = Denmark	ES = Spain	FI = Finland
FR = France	GB = United Kingdom	GR = Greece	HR = Croatia	IT = Italy
JP = Japan	KR = Korea	NL = Netherlands	NO = Norway	PL = Poland
PT = Portugal	RO = Romania	RU = Russia	RS = Serbia	SI = Slovenia
SK = Slovakia	SE = Sweden	TR = Turkey		

2. Informations pour la sécurité

- L'état d'usure et de détérioration du tuyau et du joint du détendeur doit être vérifié avant chaque utilisation et avant de brancher la bonbonne de gaz (voir Fig. 1).
- Veiller à ce que l'appareil soit utilisé loin de tout matériau inflammable. Les distances minimales de sécurité sont de 1,2 m au-dessus de l'appareil et de 60 cm à l'arrière et sur les côtés de l'appareil (voir Fig. 2).
- Ne pas utiliser un appareil endommagé, qui fuit ou ne fonctionne pas correctement.
- Conserver les bouteilles de gaz à l'écart de la chaleur et des flammes. Ne pas les placer sur un fourneau ou toute autre surface chaude.
- Veiller à ce que l'ensemble soit bien stable et ne bouge pas.
- Ne pas couvrir ou changer les bouches d'admission d'air des brûleurs car cela pourrait modifier les performances du produit et causer l'apparition d'une flamme instable.
- Si un retour de flamme se produit (la flamme remonte dans le brûleur et s'allume à l'injecteur), couper immédiatement l'alimentation en gaz en fermant d'abord le détendeur situé sur la bonbonne de gaz, puis la vanne de l'appareil. Une fois la flamme éteinte, retirer le détendeur et vérifier l'état du joint. Remplacer le joint d'étanchéité en cas de doute. Rallumer l'appareil selon description au chapitre 3 ci-dessous. Si la flamme persiste à se rallumer, renvoyer le produit à votre centre de réparation CADAC agréé.
- Ne pas modifier l'appareil ni l'utiliser à d'autres fins que celles pour lesquelles il a été conçu.
- Durant l'utilisation, certaines parties de l'appareil vont devenir très chaudes, en particulier les plans de cuisson et le couvercle. Éviter de toucher les surfaces chaudes à mains nues. L'utilisation de gants de cuisine est recommandée.
- Toujours tenir les jeunes enfants à l'écart de l'appareil.
- Cet appareil consomme de l'oxygène et il a besoin d'une ventilation pour garantir des performances optimales et assurer la sécurité des personnes à proximité immédiate. Pour utilisation à l'extérieur uniquement.
- Ne pas déplacer l'appareil alors qu'il est en service.
- Les parties hermétiques fermées par le fabricant ou le revendeur ne doivent pas être modifiées par l'utilisateur.

REMARQUES

- Ne pas tordre ni pincer le tuyau. Le tenir à l'écart du corps du barbecue afin d'éviter toute détérioration ou tout endommagement causé(e) par la chaleur.
- Placer une extrémité du tuyau basse pression sur la buse du détendeur. Placer l'autre extrémité sur le filetage par l'intérieur du boîtier par l'orifice sur le panneau gauche sur la buse du barbecue Patio. Enfoncer les extrémités aussi fort que possible. Maintenir à l'aide d'un collier de serrage aux deux extrémités du tuyau.
- Vérifier que les raccords sont bien effectués et qu'ils empêchent toute fuite de gaz.
- Contrôler qu'il n'y a pas de fuites de gaz avant d'utiliser l'appareil.
- Pour utilisation avec un tuyau et un détendeur homologués et raccordés à une bonbonne de gaz rechargeable d'un poids maximal de 11 kg et conforme à la réglementation locale en vigueur.
- Ne pas obstruer les orifices de ventilation de l'armoire.
- Ne pas modifier l'appareil. Toute modification peut être dangereuse.

3. Utilisation du barbecue

- Placer la bonbonne à l'intérieur de l'armoire vers l'arrière dans l'espace dédié.
- N'utiliser cet appareil que sur une surface plane et stable.
- Avant utilisation, vérifier que le bac de récupération des graisses est en place.
- Vérifier que la bonbonne de gaz est correctement branchée à l'appareil.
- Vérifier que la vanne du détendeur de la bouteille est en position ouverte.

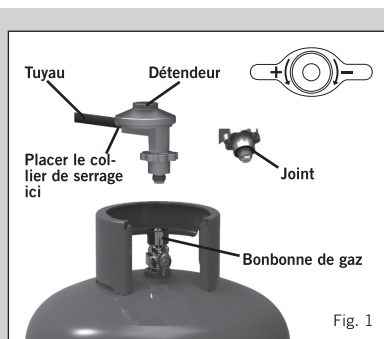


Fig. 1

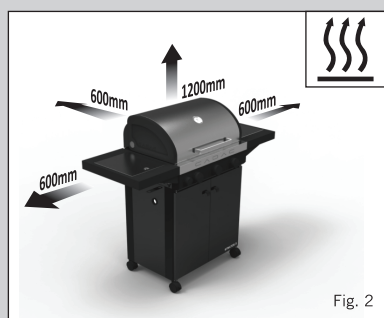


Fig. 2

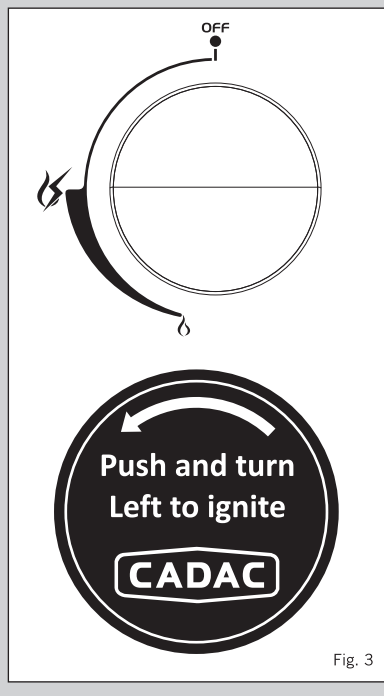


Fig. 3

3. Utilisation du barbecue (suite)

- **REMARQUES** Tous les brûleurs sont équipés d'un allumage automatique.
- Pour l'allumage de l'appareil à l'aide de l'allumage automatique, vérifier d'abord que le dôme est en position ouverte. Enfoncer et tourner le bouton de commande dans le sens inverse des aiguilles d'une montre jusqu'à ce qu'une résistance se fasse sentir au niveau du ressort. Maintenir le bouton dans cette position pendant 3 à 5 secondes pour permettre au gaz d'arriver, puis tourner complètement le bouton dans le sens inverse des aiguilles d'une montre, pour atteindre la position HIGH. L'allumage automatique va ainsi allumer le brûleur. Si le brûleur ne s'allume pas la première fois, tourner le bouton de commande en position OFF (ARRÊT) et attendre 5 minutes ; répéter l'opération jusqu'à ce que le brûleur s'allume.
- Allumage manuel : Pour allumer manuellement les brûleurs, retirer d'abord la grille de cuisson puis le déflecteur juste en dessous. Allumer une allumette ou un briquet et la/le placer près du brûleur de gauche. Ouvrir l'alimentation en gaz de ce brûleur uniquement en enfonçant la vanne de commande et en la tournant dans le sens inverse des aiguilles d'une montre. Le brûleur va alors s'allumer. Une fois le brûleur allumé, replacer soigneusement le déflecteur. et la grille en fonte. Vous allez maintenant pouvoir allumer les autres brûleurs comme ci-dessus.
- Utiliser les boutons de commande pour régler l'intensité de la flamme de chaque brûleur au niveau souhaité en tournant le bouton dans le sens inverse des aiguilles d'une montre pour diminuer la flamme, et dans le sens inverse pour l'augmenter (voir Fig. 3).
- Après utilisation, fermer d'abord la vanne de la bouteille de gaz. Lorsque la flamme est éteinte, fermer les vannes de commande sur l'appareil en tournant complètement les boutons de commande dans le sens des aiguilles d'une montre.

4. Installation et remplacement de la bonbonne de gaz

- Avant de raccorder l'appareil à une bonbonne de gaz, vérifier que le joint en caoutchouc situé sur le détendeur est bien en place et en bon état.
- Effectuer ce contrôle à chaque fois que vous raccordez l'appareil à une bouteille de gaz (voir Fig. 1).
- Retirer toute trace de poussière sur l'orifice de la bonbonne de gaz pour éviter que l'injecteur ne s'obstrue.
- Veiller à ce que la bonbonne de gaz soit installée ou remplacée à l'extérieur, loin de toute source d'ignition comme des flammes nues, et à l'écart d'autres personnes.
- Veiller à ce que la bonbonne de gaz soit toujours en position verticale. Visser manuellement le détendeur sur la bonbonne de gaz jusqu'à ce qu'il soit complètement enfoncé.
- Si l'appareil présente une fuite (odeur de gaz), éteindre toutes les sources d'ignition à proximité Pour vérifier s'il y a des fuites sur votre appareil, utiliser de l'eau savonneuse que l'on applique sur la zone suspecte. Toute formation de bulles indiquera une fuite de gaz. Vérifier que tous les raccords sont convenablement posés et contrôler de nouveau avec de l'eau savonneuse. Si la fuite de gaz ne peut être éliminée, ne pas utiliser l'appareil. Contacter votre distributeur CADAC local.
- Lors du remplacement d'une bonbonne de gaz, fermer d'abord la vanne de la bonbonne, puis celle de l'appareil, en vérifiant que la flamme est éteinte et dévisser le détendeur. Poser à nouveau le détendeur sur une bonbonne pleine en suivant les mêmes précautions que décrites précédemment.
- Une fois l'appareil entièrement monté, réaliser un repérage de fuite de gaz avant de le faire fonctionner.

5. Entretien général

- Aucun intervalle d'entretien n'est prédéterminé pour cet appareil.
- Il est dangereux d'utiliser un appareil dont le tuyau et/ou le joint d'étanchéité est fissuré ou détérioré. Vérifier régulièrement les joints et le tuyau et les remplacer s'ils ne sont pas en bon état avant d'utiliser l'appareil.
- Si l'appareil vient de fonctionner, il sera encore chaud. Attendre qu'il refroidisse avant de réaliser tout entretien.
- Les barbecues Patio de CADAC sont dotés d'injecteurs CADAC spécifiques qui régulent le débit adéquat de gaz. Si l'orifice de l'injecteur est obstrué, cela peut avoir pour conséquence une petite flamme, voire pas de flamme du tout. Ne pas essayer de nettoyer l'injecteur avec une épingle ou autre car cela pourrait endommager l'orifice, rendant l'appareil dangereux. Consulter "Présentation" (Section 1) pour le calibre des injecteurs.

5.1. Remplacement d'un injecteur obstrué

- Vérifier que la vanne de la bonbonne de gaz soit fermée, puis débrancher le barbecue de la bonbonne de gaz.
- Retirer les grilles de cuisson. Retirer les protecteurs de flamme pour dégager les brûleurs. Retirer les vis de fixation du brûleur endommagé.
- Retirer le brûleur en le soulevant pour le sortir de son emplacement, en prenant garde de ne pas endommager la vanne de régulation. L'injecteur sera ainsi accessible.
- Dévisser l'injecteur bouché à l'aide d'une clé adéquate et le remplacer par un nouveau. Ne pas utiliser de pinces avec l'injecteur car elles pourraient l'endommager, et le rendre inutilisable ou impossible à retirer.
- Pour le remontage, répéter la procédure ci-dessus en sens inverse. Ne pas trop serrer car cela pourrait également endommager l'injecteur.

5.2. Remplacement du tuyau

- La longueur du tuyau doit être comprise entre 0,8 m et 1,2 m. Vérifier la date d'expiration du tuyau et le remplacer au besoin. L'installation d'un tuyau est expliquée au Paragraphe 2. Il ne faut utiliser qu'un tuyau GPL conforme à la SANS 1156-2, la BS 3212 ou la DIN4815 avec cet appareil.
- Le tuyau utilisé doit être conforme à la BS 3212:1991 / SABS 1156-2:2010 ou équivalente.

5. Entretien général (suite)

5.3. Remplacement du détendeur

- En Afrique du Sud, le détendeur utilisé doit être un 2,8 kPa et il doit être conforme à la SANS 1237.
- Utiliser un détendeur pour butane (ou propane) à 30 mBar de la catégorie de gaz I3B/P(30).
- Utiliser un détendeur pour butane (ou propane) à 30 mBar de la catégorie de gaz I3+(28-30) pour butane.
- Utiliser un détendeur pour propane à 30 mBar de la catégorie de gaz I3B/P(37).
- Utiliser un détendeur pour butane (ou propane) à 30 mBar de la catégorie de gaz I3B/P(50).
- Il est important que le raccord entre la sortie du détendeur et le tuyau basse pression soit bien vissé et maintenu à l'aide d'un collier de serrage en métal. Toujours vérifier que le raccord ne présente pas de fuites de gaz comme décrit au chapitre 4 ci-dessus.

6. Dépannage

- Une flamme normale doit être bleue et peut comporter une pointe orange ou jaune. Si la flamme est totalement jaune, cela signifie peut-être que l'injecteur n'est pas bien installé. Resserrer l'injecteur pour vous assurer qu'il n'y a pas de fuite de gaz. Une bonbonne de gaz trop remplie peut également provoquer de grandes flammes jaunes. Si tel est le cas, la bouteille de gaz doit être renvoyée à la station-service où son poids sera vérifié.
- Vérifier que les principaux orifices d'entrée d'air dans les brûleurs sont propres et non obstrués.
- Si l'intensité des flammes diminue ou que le gaz ne s'allume pas, vérifier que la bonbonne de gaz contient encore du gaz (la secouer pour entendre s'il y a du liquide). S'il y a encore du gaz, l'injecteur peut s'être bouché totalement ou en partie.
- Si vous pensez que l'injecteur est bouché, suivre les instructions ci-dessus pour le nettoyer ou le remplacer.

7. Nettoyage

- Pour nettoyer le corps du barbecue, utiliser simplement un chiffon humide avec un peu de détergent si nécessaire.
- Ne pas utiliser de détergents abrasifs ou de tampons à récurer car cela pourrait provoquer des dommages irréversibles à la peinture de surface.
- Même si l'acier inoxydable résiste remarquablement bien au ternissement et à la rouille contrairement aux aciers ordinaires, il nécessite néanmoins un entretien adéquat. Voici nos recommandations :
- Après utilisation, nettoyer les surfaces en acier inoxydable avec de l'eau propre et un chiffon doux pour un léger nettoyage, et utiliser un nettoyant spécial pour acier inoxydable disponible dans le commerce avec un chiffon doux pour les surfaces plus difficiles. Vérifier d'avoir bien retiré tout excès de produit nettoyant pour acier inoxydable après avoir nettoyé le barbecue.
- Pour remédier aux tâches brunes ou aux piqûres de corrosion, vous pouvez utiliser un tampon à récurer non métallique. Il est important de frotter dans le sens naturel du grain de la surface de l'acier inoxydable pour éviter de laisser des marques visibles de rayures.
- Entre deux utilisations, il est conseillé de recouvrir le barbecue pour empêcher la poussière et les sels véhiculés par l'air sur les surfaces en acier inoxydable.
- Avec un minimum d'entretien, votre barbecue en acier inoxydable haute qualité conservera sa superbe finition ainsi que sa valeur pendant très longtemps.

8. Stockage

- Manipuler l'appareil avec précaution. Ne pas le faire tomber.
- Après utilisation, attendre que l'appareil ait refroidi, le débrancher de la bouteille de gaz et l'entreposer dans un endroit frais et sec à l'écart de toute source de chaleur.
- Garder le dôme fermé lorsque vous ne l'utilisez pas pour empêcher la saleté et les insectes d'y tomber, ce qui pourrait modifier le débit du gaz.
- Utiliser un couvercle pour barbecue CADAC, surtout si l'appareil est entreposé à l'extérieur.
- Avant chaque utilisation, vérifier que les brûleurs et les orifices de ventilation sont exempts d'insectes, de poussière et de toiles d'araignée.

9. Pièces détachées et accessoires

- N'utiliser que des pièces détachées authentiques CADAC, celles-ci ont été conçues pour des performances optimales.

Description	N° de pièce
Calibre injecteur 0,92 (28 mBar) / (2,8 kPa - SA uniquement)	0.92
Calibre injecteur 0,81 (50 mBar)	0.81
Calibre injecteur 0,88 (Brûleur latéral) (28 mBar) / (2,8 kPa - SA)	0.88
Calibre injecteur 0,75 (Brûleur latéral) (50 mBar)	0.75
Couvercle Stratos 3B	98700-30-CVR
Couvercle Stratos 4B	98700-40-CVR
Plateau de réchauffage Stratos	98700-50
Plaque de grill réversible Stratos	98700-51

10. Retour de l'appareil pour réparation ou entretien

- Ne pas modifier l'appareil. Cela pourrait le rendre dangereux.
- Toute modification annulera la garantie CADAC (Pty) Ltd.
- Si vous ne pouvez pas remédier à un problème en suivant ces instructions, contacter votre distributeur CADAC local pour une vérification et/ou une réparation.

11. Garantie

- CADAC (Pty) Ltd garantit à l'ACQUÉREUR INITIAL de ce barbecue à gaz CADAC que ce dernier est exempt de tout défaut de matériau ou de vice de fabrication à compter de la date d'achat, comme suit :

Vannes :	5 ans
Pièces en plastique :	aucune garantie
Pièces en émail (à l'exception des protecteurs de flamme):	5 ans
Fonte :	5 ans
Montants peints :	1 an
Brûleurs en acier inoxydable :	2 ans
Protecteurs de flamme en émail :	2 ans

La garantie ne s'appliquera que si l'appareil est monté et utilisé conformément à la notice d'utilisation.

Il est possible que CADAC vous demande une preuve raisonnable de la date de votre achat. **POUR CETTE RAISON, NOUS VOUS RECOMMANDONS DE CONSERVER VOTRE TICKET DE CAISSE OU VOTRE FACTURE.** Cette garantie sera limitée à la réparation ou au remplacement de pièces défectueuses en conditions normales d'utilisation,

dont l'examen, à la satisfaction de CADAC, indique qu'elles sont défectueuses. Avant de renvoyer des pièces, contacter le représentant du service commercial de votre région à l'aide des coordonnées fournies dans votre manuel, ou appeler le 0860 223 220 (Afrique du Sud uniquement). Si CADAC confirme la défaillance et approuve votre réclamation, CADAC remplacera gratuitement ces pièces. CADAC renverra les pièces à l'acheteur, franco de port ou de transport.

Cette garantie limitée ne couvre pas les défaillances ni les problèmes de fonctionnement faisant suite à un accident, une absence d'entretien, une mauvaise utilisation, une modification, des dommages lors du démontage, un acte de vandalisme, une installation incorrecte ou un entretien inadéquat, ou à l'absence d'entretien normal et régulier, y compris, sans y être limité, les dommages causés par les insectes dans les tubes de brûleurs, tels que définis dans le présent manuel.

La détérioration ou les dommages résultant de mauvaises conditions météorologiques telles que la grêle, les ouragans, les tremblements de terre ou les tornades, la décoloration due à l'exposition à des produits chimiques, présents dans l'atmosphère ou par contact direct, ne sont pas couverts par cette garantie limitée.

Il n'existe pas d'autres garanties expresses autres que celles décrites dans les présentes, et toutes garanties tacites applicables de qualité marchande ou d'aptitude du produit à un usage particulier sont limitées dans le temps à la période couverte par la présente garantie limitée, écrite et expresse. Certains pays n'autorisent pas la limitation de durée d'une garantie tacite, il est donc possible que cette limitation ne vous soit pas applicable.

CADAC n'est responsable d'aucun dommage spécial, indirect ou collatéral. Certains pays n'autorisent pas l'exclusion ou la limitation de dommages fortuits ou collatéraux, il est donc possible que cette limitation ou exclusion ne vous soit pas applicable.

CADAC n'autorise personne ni aucune entreprise à endosser en son nom quelque obligation ou responsabilité dans le cadre de la vente, l'installation, l'utilisation, le démontage, le renvoi ou le remplacement de son matériel, et une telle représentation ne peut en aucun cas engager CADAC.

Cette garantie ne s'applique qu'aux produits vendus au détail.

Pour assurer la longévité de votre produit CADAC, consulter le chapitre sur le nettoyage et l'entretien dans le manuel de l'utilisateur en accordant une attention particulière à l'entretien de l'acier inoxydable.

FORSIGTI

Kun til udendørs brug!



Dette apparat må ikke bruges på en udvendig, lukket balkon, veranda eller underholdningsområde!

VIGTIGTLæs denne vejledning omhyggeligt, så du bliver fortrolig med apparatet inden brug.
Behold vejledningen til fremtidig reference.**1. Indledning**

- Apparatet er i overensstemmelse med BS EN 498: 2012 og SANS 1539:2012
- Apparatet må kun bruges med en godkendt slange og regulator.
- Gasflasken må kun bruges i opretstående position.
- Der må kun bruges en gasflaske, der er maks. 500 mm i højden.
- Gasapparater kræver ventilation for effektiv ydelse og for at sikre sikkerhed for brugere og andre personer i nærheden af apparatet. Kun til udendørs brug!
- Advarsel: Tilgængelige dele kan være meget varme. Hold børn på afstand.

98700-21, 98700-23				
Anvendelsesland	BE, CH, CY, CZ, ES, FR, GB, GR, IE, IT, LT, LU, LV, PT, SK & SI	PL	BE, CY, DK, EE, FR, FI, HU, IT, LT, NL, NO, SE, SI, SK, RO, HR, TR, BG, IS, LU, MT, & ZA	AT, CH, DE & SK
Apparatkategorier	I ₃ +(28-30/37)		I _{3B/P} (37)	I _{3B/P} (30)
Tilladte gastyper	Butan	Propan	Butan, Propan blandinger	
Driftstryk	28-30mBar	37mBar	37mBar	28-30 mbar (Sydafrika 2,8 kPa)
Hoved grill-enhed				
Dysnummer	0.92			0.81
Nominel brug (Butan)	255g/hr per brænder	277g/hr per brænder	255g/hr per brænder	255g/hr per brænder
Samlet nom. varmeindgang	3.5kw per brænder (3.5kW x 2 = 7kW)	3.8kw per brænder (3.8kW x 2 = 7.6kW)	3.5kw per brænder (3.5kW x 2 = 7kW)	3.5kw per brænder (3.5kW x 2 = 7kW)
Sidebrænder (98700-23)				
Dysnummer	0.88			0.75
Nominel brug (Butan)	218g/hr	255g/hr	218g/hr	218g/hr
Samlet nom. varmeindgang	3.0kW	3.5kW	3.0kW	3.0kW
Gasforsyningskilder	En godkendt slange og regulator tilsluttet til en genopfyldelig gasflaske på maks. 9 kg., som opfylder lokale krav.			

Landenavn og forkortelser				
AE = United Arab Emirates	AL = Albania	AT = Austria	BE = Belgium	CH = Switzerland
CZ = Czech Republic	DE = Germany	DK = Denmark	ES = Spain	FI = Finland
FR = France	GB = United Kingdom	GR = Greece	HR = Croatia	IT = Italy
JP = Japan	KR = Korea	NL = Netherlands	NO = Norway	PL = Poland
PT = Portugal	RO = Romania	RU = Russia	RS = Serbia	SI = Slovenia
SK = Slovakia	SE = Sweden	TR = Turkey		

2. Sikkerhedsoplysninger

- Slangen og pakningen på regulatoren skal kontrolleres for slitage eller beskadigelse før brug og efter tilslutning til gasflasken (se Fig.1).
- Sørg for at bruge apparatet væk fra brandbare materialer. Den mindste sikre afstand er 1,2 m over apparatet og 600 mm på bagsiden og på siderne af apparatet (se Fig. 2).
- Brug ikke et apparat, der er beskadiget, har lækage eller som ikke fungerer korrekt.
- Hold gasflasken væk fra varme og flammer. Må ikke anbringes på et komfur eller en anden varm overflade.
- Sørg for, at det samlede enhed er stabil og ikke vipper.
- Undgå at tildække eller ændre åbninger til luftforsyning i brændere, da det vil påvirke produktets ydeevne og kan resultere i en ustabil flamme.
- I tilfælde af tilbageløb af ild, (hvor flammen brænder tilbage og bryder i brand ved dysen), skal du straks slukke for gasstilførslen ved først at lukke styreventilen på gasflasken, og derefter apparatets ventil. Efter slukning af flammen fjernes regulatoren og kontrolleres tilstanden af dens pakning. Udskift pakningen, hvis du er i tvivl. Start apparatet igen som beskrevet i afsnit 3 nedenunder. Hvis flammen bliver ved med at vende tilbage skal du returnere produktet til din autoriserede CADAC reparatør.
- Undlad at ændre apparatet eller bruge det til noget, som det ikke er beregnet til.
- Under brug kan dele af apparatet blive meget varme, især kogeområder og hættten. Undlad at berøre de varme dele med bare hænder. Det anbefales brug af grillhandsker.
- Hold altid små børn væk fra apparatet.
- Dette apparat forbruger ilt og har brug for ventilation for optimal ydelse og for sikkerheden for dem, der er i umiddelbar nærhed. Kun til udendørs brug!
- Flyt ikke apparatet, der er i brug.
- De dele, der er forseglet af producenten eller dennes repræsentant, må ikke ændres af brugeren.

BEMÆRK

- Undgå at vride eller klemme slangen. Sørg for, at den holdes væk fra BBQ-kroppen for at forhindre forringelse/bskadigelse af slangen forårsaget af varme.
- Monter den ene ende af lavtryksslangen på regulatorens dyse. Før den anden ende fra kabinettets indre gennem hullet i venstre side af panelet ind i Patio BBQ-dysen. Skub enderne på så godt som muligt. Klem dem på plads ved hjælp af slangeklemmer i begge ender af slangen.
- Sørg for, at tilslutninger er lavet korrekt og sørg for, at der ikke er nogen gaslækage.

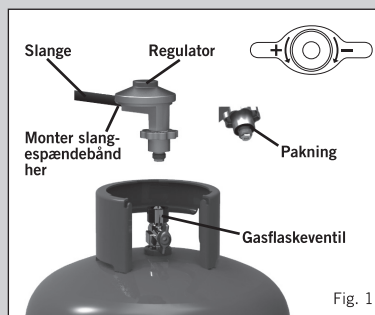


Fig. 1

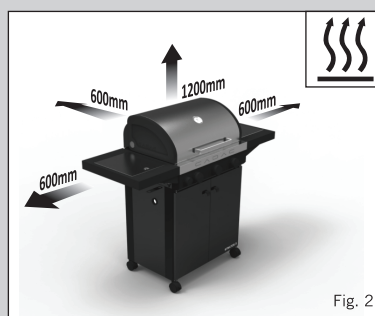


Fig. 2

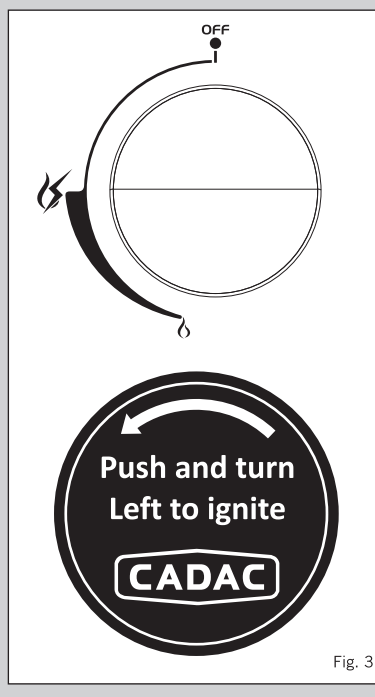


Fig. 3

3. Anvendelse af apparatet

- Placer flasken inde i kabinettet gennem bagsiden af kabinettet på det tildelte plads.
- Apparatet må kun anvendes på et fast, plan underlag.
- Før ibrugtagning skal du sørge for, at drypskålen er på plads.
- Kontroller, at gasflasken er monteret korrekt i apparatet.
- Kontroller, at kontrolventilen i gasflasken er åben.
- Bemærk! Alle brændere er udstyret med en automatisk tænder.
- For at tænde apparatet ved brug af den automatiske tænder skal du først åbne låget. Tryk og drej knappen mod uret, indtil du føler modstand fra en fjeder. Hold knappen i denne position i 3-5 sekunder for at åbne for gastilførslen, og drej derefter knappen helt til HIGH-position. Dette vil få den automatiske tænder til at antænde brænderen. Hvis brænderen ikke tændes skal du dreje knappen til OFF-positionen og vente 5 minutter. Gentag fremgangsmåden, indtil brænderen tændes.
- Manuel tænding: For at tænde brænderen manuelt skal du først fjerne grillpladen og skjoldet, der ligger direkte under pladen. Tænd en tændstik eller en lighter og placer den ved siden af den venstre brænder. Tænd for gasforsyningen til denne brænder ved at trykke på kontrolventilen og drej den mod uret. Dette vil antænde brænderen. Når brænderen er tændt skal du sætte skjoldet og grillpladen forsigtigt på plads. Du er nu klar til at tænde de andre brænderen som beskrevet ovenfor.
- Brug betjeningsknapperne for at justere flammernes intensitet i de enkelte brændere ved at dreje knappen mod uret for at mindske flammen, og med uret for at øge flammen (se Fig. 3).
- Efter brug skal du først lukke ventilen på gasflasken. Når flammen forsvinder, luk brænderens kontrolventil på apparatet ved at dreje betjeningsknapper helt med uret.

4. Montering og udskiftning af gasflaske

- Før du slutter apparatet til en gasflaske skal du sørge for, at gummipakningen i regulatoren er på plads og i god stand.
- Kontroller pakningen hver gang du monterer gasflasken i apparatet (se fig. 1).
- Fjern al støv fra flaskeåbningen for at forhindre eventuel blokering af dysen.
- Sørg for at montere eller udskifte gasflasken udendørs, væk fra alle antændelseskilder, såsom åben ild, og væk fra andre mennesker.
- Sørg for, at gasflasken altid er i oprejst position. Håndspænd regulatoren på flasken, indtil den er tilkoblet helt.
- Hvis der er en lækage på apparatet (du kan lugte gas), skal du slukke alle antændelseskilder i nærheden af apparatet. Hvis du vil kontrollere apparatet for lækage skal du bruge sæbevand, som påføres de usikre områder. En dannelse af bobler vil indikere gaslækage. Kontroller, at alle tilslutninger er forsvarligt monteret og kontroller igen med sæbevand. Brug ikke apparatet, hvis du ikke kan afhjælpe lækagen. Kontakt din lokale CADAC-forhandler for hjælp.
- Ved udskiftning af en gasflaske skal du først lukke ventilen på flaskeven og derefter ventilen på apparatet og sørge for, at flammen er slukket helt. Skru regulatoren af. Monter regulatoren igen på den fulde gasflaske ved at følge de samme forholdsregler, som beskrevet ovenfor.
- Når apparatet er samlet igen, udfør gaslækagetest, før du betjener apparatet.

5. Generel vedligeholdelse

- Der er ingen forudbestemte vedligeholdelsesintervaller for dette apparat.
- Det er farligt at bruge apparatet med en revnet eller ødelagt pakning og/eller slange. Kontroller både pakninger og slangen regelmæssigt og udskift, hvis de ikke er i orden, før du tager apparatet i brug.
- Apparatet, der har været i brug, er meget varmt. Lad apparatet køle tilstrækkeligt af, før du foretager vedligeholdelse.
- CADAC Patio BBQ's har specielle CADAC-dyser for at regulere den korrekte gasmængde. Hvis hullet i dysen er tilstoppet, kan det resultere i en lille flamme eller slet ingen flamme. Undgå at rengøre dysen med en pind eller lignende genstand, da dette kan ødelægge hullet og gøre apparatet ubrugeligt. Se "Introduktion" (afsnit 1) angående dyssestørrelse.

5.1. Udskiftning af en tilstoppet dysse

- Kontroller, at flaskeventilen er lukket og afmonter flasken.
- Fjern grillplader. Fjern flammestæmmere for at afdække brændere. Fjern skruerne ved brænderen.
- Fjern brænderen ved at løfte den op men pas på ikke at beskadige kontrolventilen, mens du gør det. Dette vil afdække dysen.
- Skru den tilstoppede dysse af med en passende nøgle, og erstæt den med en ny dysse. Brug ikke bidetang, da dette kan ødelægge dysen og gøre den ubrugelig eller umulig at fjerne.
- Påmonter den nye dysse ved at følge ovenstående fremgangsmåde i omvendt rækkefølge. Undgå at stramme dysen for meget, da det kan beskadige dysen.

5.2. Udskiftning af slange

- Slangens længde må ikke være mindre end 0,8 m og større end 1,2 m. Kontroller udløbsdatoen på slangen, og udskift om nødvendigt. Montering af en slange er beskrevet i afsnit 2. Der må kun bruges en LPG-slange, der overholder SANS 156-2, BS 3212 eller DIN4815 til dette apparat.
- Den anvendte slange skal overholde BS 3212:1991 / SABS 1156-2:2010 eller tilsvarende.

5. Generel vedligeholdelse , fortsættelse

5.3.Udskiftning af regulator

- I Sydafrika skal regulatoren være 2,8 kpa, og skal overholde SANS 1237.
- Brug 30 mbar butan (eller propane) regulator med gaskategori I3B/P(30)
- Brug 30 mbar butan-regulator med gaskategori I3+(2B-30) til butan.
- Brug 37 mbar propan-regulator med gaskategori I3+(37) til propan.
- Brug 50 mbar butan (eller propane) regulator med gaskategori I3B/P(50)
- Det er vigtigt, at forbindelsen mellem regulatoren og lavtryksslangen er stram, og at den er sikret med et slangespændebånd. Kontroller altid forbindelser for gaslækage som beskrevet i afsnit 4 ovenfor.

6. Fejlfinding

- En normal flamme er blå og kan have en orange eller gul spids. Hvis flammen er helt gul, er dyssen muligvis ikke monteret korrekt. Stram dysen igen for at sørge for, at der ikke er gaslækage. En overfyldt gasflaske kan også forårsage store gule flammer. I det tilfælde skal gasflasken returneres til tankstationen (eller der, hvor flasken byttes) for at kontrollere vægten.
- Kontroller, at åbninger til luftforsyning i brændere er rene og ikke tilstoppede.
- Hvis flammestykken mindskes eller gassen ikke brænder skal du kontrollere, at gasflasken ikke er tom (ryst flasken for at høre lyden af væske). Hvis der er gas tilbage i flasken, er dyssen tilstoppet eller delvist blokeret.

7. Rensning

- Apparatets krop rengøres med en fugtig klud med lidt sæbe, hvis nødvendigt.
- Brug ikke slibende rengøringsmidler eller grydesvampe, da dette vil medføre permanent skade på den malede overflade.
- Selvom rustfrit stål er bemærkelsesværdigt resistent over for pletter og rust i forhold til almindeligt stål, kræver det stadig korrekt pleje. Vi anbefaler følgende:
 - Efter brug, rengør stålfaderne med rent vand og en blød klud for let rengøring, mens et kommercielt tilgængeligt rengøringsmiddel til rustfrit stål med en blød klud skal bruges til mest beskidte områder. Fjern al overskydende rengøringsmiddel til rustfrit stål efter rengøring af din BBQ.
 - Mindre pletter eller huller reparerer med en blid, ikke-metallisk svamp. Det er vigtigt, at du gnider i retningen af den naturlige struktur af rustfrit stål overflade for at undgå at efterlade synlige ridser.
 - Mellem anvendelser, er det en god ide at dække grillen for at forhindre støv og luftbårne salte sætte sig på de rustfrie overflader.

8. Opbevaring

- Apparatet skal håndteres med forsigtighed. Ungå at tabe det.
- Vent efter brug, indtil apparatet er kølet ned, afbryd det fra gasflasken, og opbevare på et køligt tørt sted væk fra varme.
- Holder kupten lukket når apparatet ikke er i brug, for at forhindre snavs og insekter at falde ind i enheden. Det kan påvirke gasstrømmen.
- Brug et CADAC BBQ betræk, især hvis enheden opbevares udendørs.
- Før hver brug skal du sikre, at brændere og dysser (venturi) er fri for insekter, støv og spindelvæv.

9. Reservedele og tilbehør

- Brug altid originale CADAC reservedele, som er designet til at give optimal ydeevne

Beskrivelse	Delnr.
Dyse nr. 0.92 (28 mbar) / (kun 2,8kPa - SA)	0.92
Dyse nr. 0.81 (50 mbar)	0.81
Dyse nr. 0.88 (sidebrænder) (28 mbar) / (kun 2,8 kPa - SA)	0.88
Dyse nr. 0.75 (sidebrænder) (50 mbar)	0.75
Stratos 3B beskyttelse	98700-30-CVR
Stratos 4B beskyttelse	98700-40-CVR
Stratos varme-pande	98700-50
Stratos vendbar grillplade	98700-51

10. Levering af apparatet til reparation eller service

- Du må ikke lave ændringer på apparatet. Dette kan medføre, at apparatet bliver farligt at bruge.
- Eventuelle ændringer vil gøre CADAC (Pty) Ltd garanti ugyldig.
- Hvis du ikke kan afhjælpe eventuelle fejl ved at følge disse instruktioner, skal du kontakte din lokale CADAC forhandler for eftersyn og/eller reparation.

11. Garanti

- CADAC (Pty) Ltd giver hermed garanti til den oprindelige køber af dette CADAC gasgrill, at den vil være fri for defekter i materiale og udførelse fra købsdatoen som følger:

Ventiler:	5 år
Plastdele:	Ingen garanti
Emaljerede dele (undtaget flammestæmmere):	5 år
Støbejern:	5 år
Malede rammer:	1 år
Brændere af rustfrit stål:	2 år
Emaljerede flammestæmmere:	2 år

Garantien gælder kun, hvis enheden er samlet og betjenes i overensstemmelse med den trykte vejledning.

CADAC kan kræve rimelig dokumentation for din købsdato. DERFOR SKAL DU BEHOLDE DIN KVITTERING ELLER FAKTURA. Denne begrænsede garanti er begrænset til reparation eller udskiftning af dele, der bevises at være defekte under normal brug og service, og som ved undersøgelse angiver, og godkendes af CADAC, at være defekte. Før du returnerer eventuelle dele, skal du kontakte kundeservice repræsentant i dit område via kontaktoplysningerne, der følger med din brugsvejledning, eller ringe på 0860 223 220 (kun Sydafrika). Hvis CADAC bekræfter fejlen og godkender kravet, vil CADAC vælge at udskifte sådanne dele uden beregning. CADAC returnerer delene til køberen ved forudbetalt fragt eller porto.

Denne begrænsede garanti dækker ikke fejl eller driftsmæssige vanskeligheder på grund af uheld, misbrug, forkert brug, ændring, forkert anvendelse, vandalisme, forkert installation eller forkert vedligeholdelse eller service, eller undladelse af at udføre normal og rutinemæssig vedligeholdelse, herunder men ikke begrænset til skader forårsaget af insekter i brænderrørene, som beskrevet i denne brugervejledning.

Føringelse eller beskadigelse på grund af alvorlige vejrforhold som haglbyger, orkaner, jordskælv eller tornadoer, misfarvning som følge af eksponering for kemikalier, enten direkte eller i atmosfæren, er ikke omfattet af denne begrænsede garanti.

Der er ingen andre udtrykkelige garantier undtagen som angivet heri og eventuelle underforståede garantier for salgbarhed og egnethed er begrænset i varighed til den periode, der dækkes af denne udtrykkelige, skriftlige begrænsede garanti. Nogle regioner tillader ikke begrænsning på, hvor længe en garanti gælder, så denne begrænsning gælder muligvis ikke for dig.

CADAC er ikke ansvarlig for eventuelle særlige, indirekte eller følgeskader. Nogle regioner tillader ikke udelukkelse eller begrænsning af hændelige skader eller følgeskader, så denne begrænsning eller udelukkelse muligvis ikke gælder for dig.

CADAC bemyndiger ikke nogen person eller virksomhed til at påtage sig nogen forpligtelse eller ansvar i forbindelse med salg, installation, brug, fjernelse, returnering eller udskiftning af dets udstyr, og ingen sådanne henvendelser er bindende for CADAC.

Denne garanti gælder kun produkter, der sælges i detailhandelen.

For at nyde og sikre lang levetid for dit CADAC produkt, henvises til rengøring og vedligeholdelse afsnit i brugervejledningen med særlig vægt på pleje af rustfrit stål.

ADVARSE

Kun til utendørs bruk!

NO

Denne grillen kan ikke brukes på en utvendig lukket balkong, veranda eller underholdningsområde!

VIKTIG

Les disse instruksjonene nøye, så du blir kjent med grillen før bruk.

Ta vare på disse instruksjonene, i tilfelle du trenger dem på et senere tidspunkt.

1. Introduksjon

- Denne grillen oppfyller BS EN 498- 2012 og SANS 1539:2012
- Denne grillen må bare brukes med en godkjent slange og regulator.
- Gassflasken skal bare brukes i stående stilling.
- Skal bare brukes med en gassflaske som ikke overstiger 500 mm i høyde.
- Gassgriller krever ventilasjon for effektiv ytelse, og for å sikre at brukeren og andre personer i nærheten er trygge. Bruk kun utendørs!
- Advarsel: Tilgjengelige deler kan bli svært varme. Hold barn unna.

98700-21, 98700-23				
Land den brukes i	BE, CH, CY, CZ, ES, FR, GB, GR, IE, IT, LT, LU, LV, PT, SK & SI	PL	BE, CY, DK, EE, FR, FI, HU, IT, LT, NL, NO, SE, SI, SK, RO, HR, TR, BG, IS, LU, MT, & ZA	AT, CH, DE & SK
Grillkategorier	I ₃ (28-30/37)		I _{3B/P} (37)	I _{3B/P} (50)
Tillatte gasser	Butane	Propane	Butan, Propan / blandinger	
Driftstrykk	28-30mBar	37mBar	37mBar	28-30mBar (Sør-Afrika 2,8kPa) 50mBar
Hovedgrillenhet				
Dysnummer	0.92			0.81
Nominell bruk (Butan)	255g/hr per brenner	277g/hr per brenner	255g/hr per brenner	255g/hr per brenner
Brutto nom. varmetilførsel	3.5kw per brenner (3.5kW x 2 = 7kW)	3.8kw per brenner (3.8kW x 2 = 7.6kW)	3.5kw per brenner (3.5kW x 2 = 7kW)	3.5kw per brenner (3.5kW x 2 = 7kW)
Sidebrennere (98700-23)				
Dysnummer	0.88			0.75
Nominell bruk (Butan)	218g/hr	255g/hr	218g/hr	218g/hr
Brutto nom. varmetilførsel	3.0kW	3.5kW	3.0kW	3.0kW

Gassforsyningskilder	En godkjent slange og regulator koblet til en påfyllbar gassflaske som ikke er på mer enn 9 kg og som er i samsvar med lokal forskrift som gjør seg gjeldende
----------------------	---

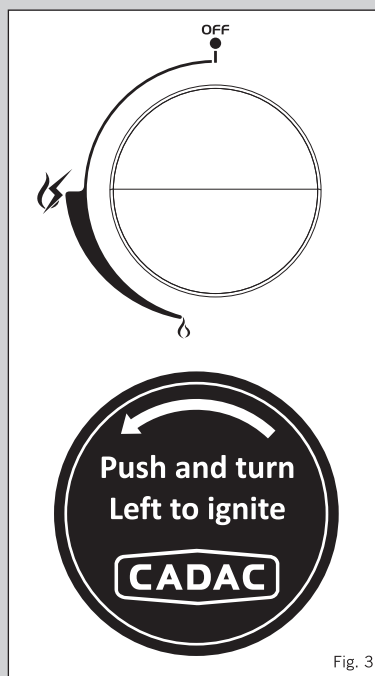
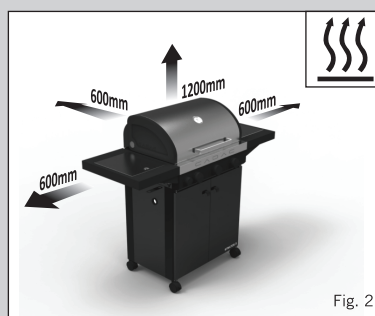
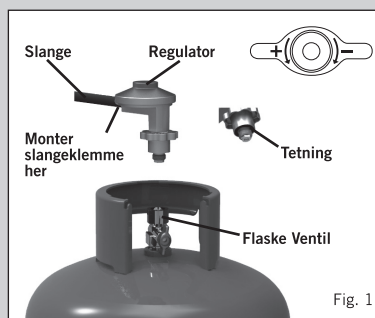
Lands navn og forkortelser				
AE = United Arab Emirates	AL = Albania	AT = Austria	BE = Belgium	CH = Switzerland
CZ = Czech Republic	DE = Germany	DK = Denmark	ES = Spain	FI = Finland
FR = France	GB = United Kingdom	GR = Greece	HR = Croatia	IT = Italy
JP = Japan	KR = Korea	NL = Netherlands	NO = Norway	PL = Poland
PT = Portugal	RO = Romania	RU = Russia	RS = Serbia	SI = Slovenia
SK = Slovakia	SE = Sweden	TR = Turkey		

2. Sikkerhetsinformasjon

- Slangen og tetningen på regulatoren må kontrolleres for slitasje eller skade hver gang før bruk og før gassflasken kobles til (se figur 1).
- Sørg for at grillen brukes unna brennbare materialer. Minimum sikkerhetsavstand er 1,2 m over grillen og 600 mm bak og på sidene av grillen (se figur 2).
- Ikke bruk en grill som er skadet, lekker eller som ikke fungerer som det skal.
- Hold gassflasker borte fra varme og flammer. Ikke plasser den på en ovn eller noen annen varm overflate.
- Sjekk at grillen er stabilt og ikke beveger på seg.
- Ikke dekk til eller endre de primære åpningene for lufttilførsel for brennerne, siden dette vil påvirke ytelsen til produktet og kan føre til en ustabil flamme.
- Dersom en tilbakebrenning skulle finne sted (der flamme brenner tilbake og antenner dysen), må du umiddelbart slå av gassforsyningen ved å først lukke kontrollventilen på gassflasken og deretter ventilen på grillen. Etter at flammen er slukket, fjerner du regulatoren og kontrollerer tilstanden til tetningen. Skift ut tetning hvis du er i tvil. Tenn på grillen igjen som beskrevet i Seksjon 3 nedenfor. Dersom flammen fortsetter med å foreta en tilbakebrenning, returnerer du produktet til en autorisert CADAC-reparatør.
- Du må ikke endre grillen eller bruke den til noe den ikke er designet for.
- Under bruk vil deler av grillen bli varm, spesielt området for matlagning og lokket. Unngå å berøre de varme delene med hendene. Bruk av grytekluter eller lignende anbefales.
- Hold små barn unna grillen til enhver tid.
- Denne grillen forbruker oksygen, og trenger ventilasjon for optimal ytelse og for at alle i umiddelbar nærhet skal være helt trygge. Bruk kun utendørs!
- Ikke flytt grillen mens den er i bruk.
- Deler som er forseglet av produsenten eller forhandleren må ikke endres av brukeren.

MERK

- Ikke vri eller klem på slangen. Pass på at slangen holdes unna kroppen til grillens, så den ikke forringes/skades grunnet varmen.
- Monter én ende av slangen på regulatorens dyse. Før den andre enden fra inne i skapet og gjennom hullet på venstre side, og deretter på Patio BBQ-dysen. Skyv endene så godt på som mulig. Klem dem i posisjon ved hjelp av slangeklemmene på begge endene av slangen.
- Kontroller at tilkoblingene er som de skal og at det ikke lekker gass.
- Sjekk om det er noen gasslekkasje før du bruker grillen.
- Bruk med en godkjent slange og regulator koblet til en



3. Bruke grillen

- Sett flasken inn i skapet fra baksiden av skapet.
- Bare bruk grillen på fast underlag.
- Sjekk at dryppbrettet er på plass før bruk.
- Kontroller at gassflasken er riktig montert på grillen.
- Sjekk at flaskens kontrollventil er i åpen posisjon.
- Merk! Alle brennere er utstyrt med automatisk tenner.
- For å tenne på grillen bruker du den automatiske tenneren, men først må du sjekke at lokket er i åpen posisjon. Trykk inn og vri knotten mot klokken til du kjenner motstand fra fjæren. Hold knottene i denne posisjonen i 3 - 5 sekunder for å la gassen strømme ut, og deretter vrir du knotten helt mot klokken til HØY-posisjonen. Dette vil føre til at den automatiske tenneren tenner på grillen. Dersom brenneren ikke tennes på første forsøk, skru du knotten tilbake til AV-posisjonen og venter fem minutter. Deretter gjentar du prosessen til brenneren tennes.
- Manuell tenning: For å tenne på brennerne manuelt, må du først fjerne grillplaten og deflektorplaten rett under den. Tenn på en fyrstikk eller et annet lettantennelig materiale, og plasser det ved siden av den venstre brenneren. Skru på gassen til kun den brenneren ved å trykke kontrollknotten inn og vri på den mot klokken. Dette vil tenne brenneren. Når brenneren er tent, legger du forsiktig deflektorplaten og grillplaten i jern på plass. Du vil nå kunne tenne på resten av brennerne som ovenfor.
- Bruk kontrollknottene for å justere intensiteten til de individuelle brennerne til ønsket nivå ved å vri den mot klokken for å redusere flammen og med klokken for å øke flammen (se figur 3).
- Etter bruk lukker du først ventilen på gassflasken. Når flammen har slukket, lukker du kontrollventilene til brennerne ved å vri knottene helt med klokken.

4. Montere og bytte gassflaske

- Før du kobler grillen til en gassflaske, må du sjekke at gummitettingen på regulatoren er i posisjon og i god stand.
- Utfør denne sjekken hver gang du fester en gassflaske til grillen (se figur 1).
- Blås støv ut fra sylindrens åpning for å hindre mulig blokkering av dysen.
- Monter og bytt alltid gassflasken utendørs og borte fra kilder som kan antenne gassen, som åpne flammer. Gjør det heller ikke i nærheten av andre mennesker.
- Sørg for at gassflasken alltid står oppreist. Stram til regulatoren for hånd på flasken til den er fullstendig tilkoblet.
- Hvis det er en lekkasje (lukt av gass), må du slukke alle tennkilder i nærheten av grillen. Hvis du ønsker å se etter lekkasjer, påfører du såpevann på området du mistenker lekkasjen kommer fra. Bobler vil indikere en gasslekkasje. Sjekk at alle tilkoblingene sitter som de skal, og kontroller igjen med såpevann. Hvis du ikke klarer å utbedre gasslekkasjen, må du ikke bruke grillen. Kontakt din lokale CADAC-leverandør for hjelp.
- Når du bytter gassflaske, stenger du først ventilen på flasken og deretter ventilen på grillen. Sørg for at flammen er slukket og skru av regulatoren. Fest regulatoren på en full flaske ved å følge de samme forholdsreglene som beskrevet ovenfor.
- Når grillen er ferdig montert, sjekker du om det er noen gasslekkasjer før du bruker grillen.

5. Generelt vedlikehold

- TDet er ingen forhåndsbestemte vedlikeholdsintervaller for denne grillen.
- Det er farlig å bruke en grill med en sprukket eller forringet forsegling og/eller slange. Kontroller begge tetninger og slangen regelmessig, og skift dem ut hvis de ikke er i orden før du bruker grillen.
- Hvis grillen var i bruk vil den være varm. La den avkjøle seg tilstrekkelig før du forsøker å utføre noe vedlikehold.
- CADAC Patio BBQ-grill er utstyrt med spesifikke CADAC-dyser for å regulere korrekt mengde gass. Dersom hullet i dysen blokkeres, kan det resultere i en mindre flamme eller ingen flamme i det hele tatt. Ikke forsøk å rengjøre dysen med en pinne eller noen annen gjenstand som kan skade hullet, noe som kan gjøre grillen utrygg. Se "Introduksjon" (Seksjon 1) for dysestørrelser.

5.1. Bytte en blokkert dyse

- Kontroller at flaskens ventil er lukket, og koble deretter grillen fra gassflasken.
- Fjern grillplatene. Fjern flammestemmerne for å eksponere brennerne. Fjern festeskruene for den berørte brenneren.
- Fjern den berørte brenneren ved å løfte den ut, samtidig som du passer på at du ikke skader ventilen mens du gjør dette. Dette vil føre til at du ser dysen.
- Skru av den blokkerte dysen med en egnet skrunøkkel og erstatte den med en ny dyse. Ikke bruk tang på dysen, siden tangen kan påføre dysen skade og gjøre det umulig å fjerne dysen.
- For å sette alt sammen igjen, følger du prosedyren ovenfor motsatt vei. Ikke stram til dysen for hardt, siden dette kan skade dysen.

5.2. Bytte ut slangen

- Slangens lengde bør ikke være mindre enn 0,8 m eller overstige 1,2 m. Kontroller utløpsdatoen på slangen og skift ut ved behov. Montering av slangen er beskrevet i Seksjon 2. Bare en LPG-slange som samsvarer med SANS 1156-2, BS 3212 eller DIN4815 kan brukes med denne grillen.
- Slangen må være i samsvar med BS 3212:1991 / SABS 1156-2:2010 eller tilsvarende.

5. Generelt vedlikehold fortsetter

5.3. Bytte av regulatoren

- I Sør-Afrika må regulatoren som brukes være 2,8 kpa, og den må være i samsvar med SANS 1237.
- Bruk 30mBar butan (eller propan)-regulator med gasskategori I3B/P(30)
- Bruk 30mBar butan-regulator med gasskategori I3+(2B-30) for butan.
- Bruk 37mBar propan-regulator med gasskategori I3+(37) for propan.
- Bruk 50mBar butan (eller propan)-regulator med gasskategori I3B/P(50)
- Det er viktig at forbindelsen mellom regulatorens og slangen er tett, og at den sikres med en metallslangeklemme. Kontroller alltid festet for gasslekkasje, som beskrevet i Seksjon 4 ovenfor.

6. Feilsøking

- En vanlig flamme er blå og kan ha en oransje eller gul spiss. Hvis flammen er helt gul, kan det være at dysen ikke er ordentlig montert. Stram til dysen for å sikre at det ikke er noen gasslekkasje. En overfylt gassflaske kan også forårsake store, gule flammer. Hvis dette er tilfellet, bør du ta med flasken tilbake til stedet du kjøpte/fylte på den for å sjekke vektens dens.
- Sjekk at hovedhullene for lufttilførsel i brennerne er fri for hindringer.
- Hvis flammens kraft faller eller gassen ikke vil la seg tenne på, sjekk at gassflasken fortsatt inneholder gass (rist på den for å høre lyden væsken lager). Hvis det fortsatt er gass i flasken, kan dysen være blokkert eller delvis blokkert.

7. Rengjøring

- For å rengjøre kroppen tørker du den med en fuktig klut og litt rengjøringsmiddel hvis nødvendig.
- Ikke bruk slipende rengjøringsmidler eller skuremidler, siden dette vil det føre til permanent skade på den lakkerte overflaten.
- Selv om rustfritt stål er svært motstandsdyktig mot skade og rust i forhold til vanlig stål, trenger det fremdeles god pleie. Vi anbefaler følgende:
- Etter bruk rengjør du de rustfrie ståløverflatene med rent vann og en myk klut for lett rengjøring, mens et kommersielt tilgjengelig rengjøringsmiddel for rustfritt stål brukes med en myk klut for områder der det er vanskeligere å rengjøre. Sørg for at du fjerner alt rengjøringsmiddelet for rustfritt stål etter at du har rengjort grillen din.
- For å reparere mindre teflekker eller korrosjon, kan du bruke en lett, ikke metallisk gryteskrubb. Det er viktig at du gnir med kornene til overflaten i rustfritt stål for å unngå at du etterlater synlige riper.
- Mellom bruk er det en god idé å la grillen stå tildekket, for å hindre at støv og salt legger seg på den rustfrie ståløverflaten.
- Med litt vedlikehold vil din investering i rustfritt stål beholde sin flotte finish, og verdi, lang tid fremover.

8. Oppbevaring

- Håndter grillen med forsiktighet. Ikke mist den.
- Etter bruk venter du til grillen har kjølt seg ned, kobler fra gassflasken og lagrer den på et kjølig, tørt sted borte fra varme.
- Hold lokket lukket når den ikke er i bruk, for å hindre at smuss og insekter faller inn i grillen, noe som kan påvirke strømmen av gass.
- Bruk et CADAC-grilldeksel, spesielt dersom grillen lagres utendørs.
- Før bruk bør du sjekke at brennerne og ventiler er fri for insekter, støv og spindelvev.

9. Ekstradeler og tilbehør

- Bruk alltid ekte CADAC-reservedeler, siden de er utformet for å gi deg optimal ytelse.

Beskrivelse	Delenummer
Dysenr. 0,92 (28mBar) / (2,8kPa - kun SA)	0.92
Dysenr. 0,81 (50 mBar)	0.81
Dysenr. 0,88 (Sidebrenner) (28mBar) / (2,8kPa - kun SA)	0.88
Dysenr. 0,75 (Sidebrenner) (50mBar)	0.75
Stratos 3B-deksel	98700-30-CVR
Stratos 4B-deksel	98700-40-CVR
Stratos Varmepanne	98700-50
Stratos Reversibel grillplate	98700-51

10. Returnere grillen for reparasjon eller vedlikehold

- Ikke modifier grillen. Dette kan føre til at grillen blir utrygg.
- Eventuelle modifikasjoner vil føre til at CADAC (Pty) Ltd-garantien blir ugyldig.
- Hvis du ikke kan utbedre feilen ved å følge disse instruksjonene, kontakt din lokale CADAC-leverandør for inspeksjon og/eller reparasjon.

11. Garanti

- CADAC (Pty) Ltd garanterer herved overfor den opprinnelige kjøperen av denne CADAC-gassgrillen at den skal være fri for defekter i materiale og håndverk i en periode fra kjøpsdatoen som følger:

Ventiler:	5 år
Plastikdeler:	Ingen garanti
Emaljedeler (Med unntak av flammestøper):	5 år
Støpejern:	5 år
Malte rammer:	1 år
Brennere i rustfritt stål:	2 år
Flammestøper i emalje:	2 år

Garantien gjelder bare hvis enheten er montert og brukes i samsvar med de trykte instruksjonene.

CADAC kan kreve rimelig bevis på kjøpsdato. DERFOR BØR DU TA VARE PÅ KVITTERINGEN DIN. Denne begrensede garantien skal være begrenset til reparasjon eller erstatning av deler som skulle vise seg å være defekt ved normal bruk og service, og som

ved undersøkelse indikerer, på en måte som CADAC anser seg fornøyd med, at de er defekt. Før du returnerer noen deler, ta kontakt med kundeservice i regionen ved å bruke kontaktinformasjon som leveres med brukerhåndboken, eller ring 0860 223 220 (kun RSA). Hvis CADAC bekrefter defekten og godkjenner kravet, vil CADAC velge å bytte ut slike deler uten kostnad. CADAC vil returnere delene til eieren, og betale for frakten.

Denne begrensede garantien dekker ikke eventuelle feil eller problemer ved bruk på grunn av ulykke, misbruk, feilaktig bruk, modifikasjoner, hærverk, feil installasjon eller feil vedlikehold eller service, eller unnlattelse av å utføre normalt og rutinemessig vedlikehold, inkludert, men ikke begrenset til skade forårsaket av insekter i brennernes rør, som påpekt i denne brukerhåndboken.

Føringsskade eller skader på grunn av alvorlige værforhold som hagl, orkaner, jordskjelv eller tornadoer og misfarging på grunn av eksponering for kjemikalier, enten direkte eller i atmosfæren, dekkes ikke av denne begrensede garantien.

Det er ingen andre uttrykte garantier med unntak av de som er angitt i dette dokumentet, og eventuelle underforståtte garantier for salgbarhet og egnethet er begrenset i varighet til den perioden av dekning som beskrevet i denne begrensede garantien. Noen regioner tillater ikke begrensninger på hvor lenge en underforstått garanti varer, så det kan hende at denne begrensningen ikke gjelder for deg.

CADAC er ikke ansvarlig for eventuell spesiell eller indirekte skade eller følgeskade. Noen regioner tillater ikke utelukkelse eller begrensning av tilfeldige skader eller følgeskader, så dette gjelder kanskje ikke for deg.

CADAC godkjenner ikke at noen person eller selskap pådrar CADAC forpliktelser eller ansvar i forbindelse med salg, installasjon, bruk, fjerning, returnering eller utskifting av utstyret, og ingen slike fremstillinger er bindende for CADAC.

Denne garantien gjelder bare for produkter som selges i butikken.

Til å nyte og sikre lang levetid for ditt CADAC-produkt, bør du se seksjonen for rengjøring og vedlikehold i brukerhåndboken, men spesiell oppmerksomhet når det kommer til rådene for behandling av rustfritt stål.

ATTENZIONE**IT**

Esclusivamente per l'uso all'aperto! Questo apparecchio non può essere utilizzato in un'area di intrattenimento, una veranda o un balcone esterni chiusi!

IMPORTANTE

Leggere queste istruzioni attentamente in modo da familiarizzare con l'apparecchio prima dell'uso.
Conservare queste istruzioni per futuro riferimento.

1. Introduzione

- Questo apparecchio è conforme alle norme BS EN 498: 2012 e SANS 1539:2012
- Questo apparecchio deve essere utilizzato esclusivamente con un tubo e un regolatore omologati.
- La bombola del gas deve essere utilizzata esclusivamente in posizione verticale.
- Utilizzare esclusivamente con una bombola del gas che non supera i 500mm di altezza.
- Gli apparecchi a gas hanno bisogno di ventilazione per prestazioni efficienti e per assicurare la sicurezza degli utilizzatori e delle persone che si trovano in stretta prossimità.
Utilizzare esclusivamente all'esterno!
- Avvertenza: I componenti accessibili possono essere molto caldi. Tenere lontani i bambini.

98700-21, 98700-23				
Paese di utilizzo	BE, CH, CY, CZ, ES, FR, GB, GR, IE, IT, LT, LU, LV, PT, SK & SI	PL	BE, CY, DK, EE, FR, FI, HU, IT, LT, NL, NO, SE, SI, SK, RO, HR, TR, BG, IS, LU, MT, & ZA	AT, CH, DE & SK
Categorie apparecchio	I ₃₄ (28-30/37)	I _{3B/P} (37)	I _{3B/P} (30)	I _{3B/P} (50)
I gas ammissibili	Butano	Propano	Miscele di Butano/Propano	
Pressione del gas	28-30mBar	37mBar	37mBar	@ 28-30mBar (Sudafrica 2,8kPa) 50mBar
Unità principale barbecue				
Numero getti	0.92			0.81
Utilizzo nominale (Butano)	255g/hr per bruciatore	277g/hr per bruciatore	255g/hr per bruciatore	255g/hr per bruciatore
Ingresso calore nom. lordo	3.5kw per bruciatore (3.5kW x 2 = 7kW)	3.8kw per bruciatore (3.8kW x 2 = 7.6kW)	3.5kw per bruciatore (3.5kW x 2 = 7kW)	3.5kw per bruciatore (3.5kW x 2 = 7kW)
Bruciatore laterale (98700-23)				
Numero getti	0.88			0.75
Utilizzo nominale (Butano)	218g/hr	255g/hr	218g/hr	218g/hr
Ingresso calore nom. lordo	3.0kW	3.5kW	3.0kW	3.0kW
Fonti di alimentazione del gas	Un tubo e un regolatore omologati collegati a un contenitore del gas ricaricabile che non superi i 9kg e che sia conforme alle regolamentazioni locali in vigore.			

Nome paese e abbreviazioni				
AE = United Arab Emirates	AL = Albania	AT = Austria	BE = Belgium	CH = Switzerland
CZ = Czech Republic	DE = Germany	DK = Denmark	ES = Spain	FI = Finland
FR = France	GB = United Kingdom	GR = Greece	HR = Croatia	IT = Italy
JP = Japan	KR = Korea	NL = Netherlands	NO = Norway	PL = Poland
PT = Portugal	RO = Romania	RU = Russia	RS = Serbia	SI = Slovenia
SK = Slovakia	SE = Sweden	TR = Turkey		

2. Norme di sicurezza

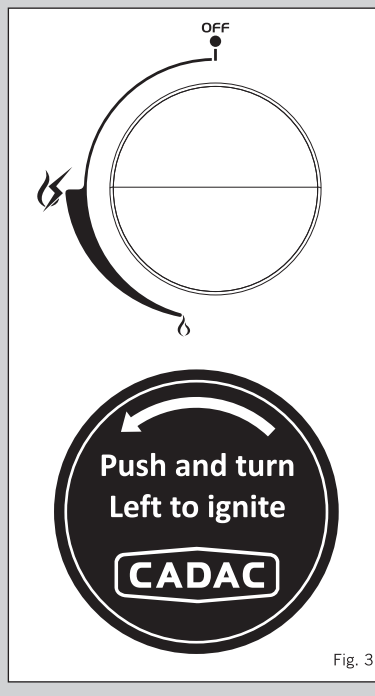
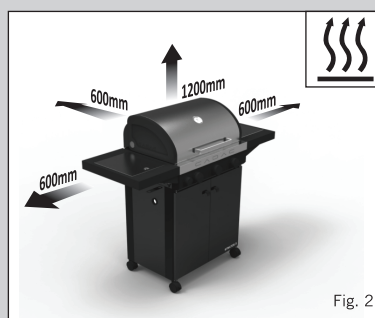
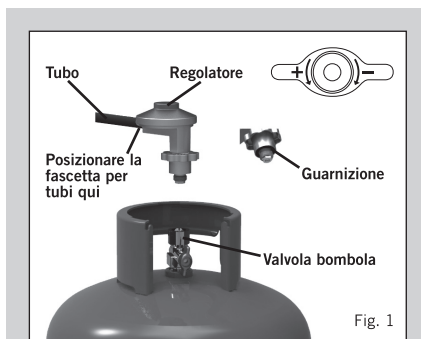
- Verificare l'assenza di segni di usura o danni sul tubo e sulla guarnizione sul regolatore prima di ogni utilizzo e prima di effettuare i collegamenti alla bombola del gas (cfr. Fig. 1).
- Assicurarsi che l'apparecchio venga utilizzato lontano da materiali infiammabili. Le distanze minime di sicurezza sono 1,2m sopra l'apparecchio e 600mm dietro e sui lati dell'apparecchio (cfr. Fig. 2).
- Non utilizzare l'apparecchio se danneggiato, presenta perdite o non funziona correttamente.
- Tenere le bombole del gas lontane da calore o fiamme. Non posizionare su un fornello o qualsiasi altra superficie calda.
- Assicurarsi che l'unità assemblata sia stabile e non dondoli.
- Non coprire o modificare le aperture di alimentazione dell'aria primaria nei bruciatori, poiché questo influenzerà le prestazioni del prodotto e potrà avere come conseguenza una fiamma instabile.
- In caso di ritorno di fiamma (caso in cui la fiamma torna indietro e infiamma l'ugello), spegnere immediatamente l'alimentazione del gas chiudendo la valvola di controllo sulla bombola del gas e poi la valvola dell'apparecchio. Dopo aver spento la fiamma, rimuovere il regolatore e verificare lo stato della sua guarnizione. In caso di dubbio, sostituire la guarnizione. Riaccendere l'apparecchio come descritto nella Sezione 3 qui di seguito. Se la fiamma dovesse presentare un ritorno in modo sistematico, restituire il prodotto al proprio agente di riparazione CADAC autorizzato.
- Non modificare l'apparecchio o utilizzarlo per altri fini diversi da quello per il quale è stato progettato.
- Durante l'uso, parte dell'apparecchio può diventare calda, in particolare le aree di cottura e la cappa. Evitare di toccare le parti calde a mani nude. Si raccomanda l'uso di guanti da forno.
- Tenere sempre i bambini lontani dall'apparecchio.
- Questo apparecchio consuma ossigeno e ha bisogno di ventilazione per garantire prestazioni ottimali e la sicurezza delle persone che si trovano in prossimità dello stesso. Utilizzare esclusivamente all'esterno!
- Non spostare l'apparecchio mentre è in funzione.
- Le parti sigillate dal produttore o dal suo agente non devono essere modificate dall'utilizzatore.

NOTA

- Non attorcigliare o pizzicare il tubo. Assicurarsi che resti lontano dal corpo del barbecue in modo da evitare il deterioramento/ danneggiamento del tubo a causa del calore.
- Collegare un'estremità del tubo di bassa pressione sull'ugello del regolatore. Collegare l'altra estremità da dentro all'armadietto, attraverso il foro sul pannello di sinistra, nell'ugello del barbecue Patio. Premere le estremità in modo che siano fissate il più stabilmente possibile. Bloccarle in posizione con delle fascette per tubi su entrambe le estremità del tubo.
- Assicurarsi che i collegamenti siano effettuati in modo ben saldo e non consentano perdite di gas.
- Verificare che non vi siano perdite di gas prima di utilizzare l'apparecchio.
- L'apparecchio va utilizzato con un tubo e un regolatore omologati collegati a un contenitore del gas ricaricabile che non superi i 11kg e sia conforme alle norme locali in vigore.
- Non ostruire le aperture di ventilazione dell'armadietto.
- Non modificare l'apparecchio. Modificare l'apparecchio può essere pericoloso.

3. Utilizzo dell'apparecchio

- Posizionare la bombola all'interno dell'armadietto attraverso il retro dell'armadietto stesso nello spazio previsto.
- Utilizzare l'apparecchio soltanto su una superficie stabile.
- Prima dell'uso, assicurarsi di aver posizionato la vaschetta raccogli-gocce.
- Verificare che la bombola del gas sia collegata correttamente all'apparecchio



3. 3. Utilizzo dell'apparecchio (continua)

- Assicurarsi che la valvola di controllo della bombola sia in posizione aperta.
- Nota! Tutti i bruciatori sono dotati di un dispositivo di accensione automatico.
- Per accendere l'apparecchio utilizzando il dispositivo di accensione automatico, assicurarsi innanzitutto che il coperchio a cupola sia in posizione aperta. Premere la manopola di controllo e ruotarla in senso antiorario fino a quando si sente la resistenza della molla. Tenere la manopola in posizione per 3 – 5 secondi per consentire al gas di fluire e poi ruotare la manopola completamente in senso antiorario fino alla posizione HIGH. Questo farà sì che il dispositivo di accensione automatico accenda il bruciatore. Se il bruciatore non si accende la prima volta, ruotare la manopola di controllo in posizione OFF e attendere 5 minuti, ripetere la procedura fino a quando il bruciatore non si accende.
- Accensione manuale: Per accendere i bruciatori manualmente, rimuovere innanzitutto il piatto griglia e il deflettore posto direttamente sotto lo stesso. Accendete un fiammifero o un accendino e posizionalo vicino al lato sinistro del bruciatore. Abilitare l'alimentazione del gas a tale bruciatore premendo semplicemente la valvola di controllo e ruotandola in senso antiorario. Questo farà accendere il bruciatore. Quando il bruciatore è acceso, riposizionare con molta attenzione il deflettore e il piatto griglia in ghisa. Non sarà possibile accendere i restanti bruciatori nel modo descritto in precedenza.
- Utilizzare le manopole di controllo per regolare l'intensità di fiamma dei singoli bruciatori sul livello desiderato, ruotando la manopola in senso antiorario per ridurre la fiamma e in senso orario per aumentarla (cfr. Fig. 3).
- Dopo l'uso, chiudere innanzitutto la valvola sulla bombola del gas. Quando la fiamma è spenta, chiudere le valvole di controllo dei bruciatori sull'apparecchio ruotando completamente le manopole di controllo in senso orario.

4. Installazione e sostituzione della bombola del gas

- Prima di collegare l'apparecchio a una bombola del gas, assicurarsi che la guarnizione in gomma sul regolatore sia in posizione e in buono stato.
- Effettuare questa verifica ogni volta che collegate l'apparecchio a una bombola del gas (cfr. fig. 1).
- Soffiare via l'eventuale polvere presente sull'apertura della bombola per evitare la possibile ostruzione del getto.
- Assicurarsi che la bombola del gas sia installata e sostituita all'esterno, lontano da qualsiasi sorgente di accensione, quali fiamme libere, e lontano da altre persone.
- Assicurarsi che la bombola del gas sia sempre mantenuta in posizione verticale. Serrare a mano il regolatore sulla bombola fino a quando sarà completamente innestato.
- In caso di perdite sull'apparecchio (odore di gas), spegnere tutte le sorgenti di accensione nelle vicinanze dell'apparecchio. Se si desidera verificare la presenza di perdite sull'apparecchio, utilizzare acqua saponata e applicarla sull'area in cui si sospetta vi sia la perdita. Se si formano delle bolle significa che c'è una perdita di gas. Verificare che tutti i collegamenti siano innestati in modo sicuro e verificare nuovamente con acqua saponata. Se non si riesce a risolvere la perdita di gas, non utilizzare l'apparecchio. Contattare il proprio fornitore locale CADAC per assistenza.
- Quando si sostituisce la bombola del gas, chiudere innanzitutto la valvola della bombola e poi la valvola dell'apparecchio, assicurandosi che la fiamma sia spenta e quindi svitare il regolatore. Reinstallare il regolatore su una bombola piena osservando le stesse precauzioni descritte in precedenza.
- Dopo aver completamente assemblato l'apparecchio, effettuare una verifica dell'assenza di perdite di gas prima di metterlo in funzione.

5. Manutenzione generale

- Non vi sono intervalli di manutenzione predeterminati per questo apparecchio.
- È pericoloso utilizzare un apparecchio in cui la guarnizione e/o il tubo siano crepati o deteriorati. Prima di utilizzare l'apparecchio, ispezionare entrambe le guarnizioni e il tubo regolarmente e sostituirli se non sono in buono stato.
- Se l'apparecchio è stato utilizzato sarà caldo. Lasciare che si raffreddi a sufficienza prima di tentare di effettuare qualsiasi intervento di manutenzione.
- I barbecue CADAC Patio sono dotati di getti specifici CADAC per regolare la quantità corretta di gas. Se il foro sul getto si bloccasse, si potrebbe avere una fiamma ridotta o addirittura nessuna fiamma. Non cercare di pulire il getto con uno spillo o simili, poiché questo potrebbe danneggiare il foro e questo renderebbe l'apparecchio non sicuro. Fare riferimento alla sezione "Introduzione" (Sezione 1) per le dimensioni dei getti.

5.1. Sostituire un getto bloccato

- Assicurarsi che la valvola della bombola sia chiusa, quindi, scollegare l'apparecchio dalla bombola del gas.
- Rimuovere i piatti griglia. Rimuovere i parafiamma per esporre i bruciatori. Rimuovere le viti di fissaggio del bruciatore interessato.
- Rimuovere il bruciatore interessato sollevandolo dalla sua posizione, facendo attenzione a non danneggiare la valvola di controllo durante questa operazione. Questo esporrà il getto.
- Svitare il getto bloccato utilizzando una chiave adatta e sostituirlo con un nuovo getto. Non utilizzare pinze sul getto poiché questo può danneggiarlo, rendendo il getto inutilizzabile o impossibile da rimuovere.
- Per rimontare il tutto, seguire la procedura in senso inverso. Non serrare eccessivamente poiché questo può danneggiare il getto.

5.2. Sostituzione del tubo

- La lunghezza del tubo non deve essere inferiore a 0,8m né superare i 1,2m. Verificare la data di scadenza sul tubo e sostituirlo quando necessario. Il collegamento del tubo è descritto nella Sezione 2. Con questo apparecchio si può utilizzare soltanto un tubo per GPL conforme alle norme SANS 1156-2, BS 3212 o DIN4815.
- Il tubo utilizzato deve essere conforme alle norme BS 3212:1991 / SABS 1156-2:2010 o equivalenti.

5. Manutenzione generale (continua)

5.3. Sostituzione del regolatore

- In Sudafrica, il regolatore utilizzato deve essere da 2,8kpa e deve essere conforme alla norma SANS 1237.
- Utilizzare un regolatore da 30mBar per butano (o propano) con categoria gas I3B/P(30)
- Utilizzare un regolatore da 30mBar per butano con categoria gas I3+(28-30) per butano.
- Utilizzare un regolatore da 37mBar per propano con categoria gas I3+(37) per propano.
- Utilizzare un regolatore da 50mBar per butano (o propano) con categoria gas I3B/P(50)
- È importante che il collegamento tra l'uscita del regolatore e il tubo di bassa pressione sia serrato e assicurato da una fascetta per tubi metallica. Verificare sempre il punto di giuntura per rilevare eventuali perdite di gas come descritto nella sezione 4 di cui sopra.

6. Ricerca e risoluzione guasti

- Una fiamma normale è blu e può avere una punta arancione o gialla. Se la fiamma è completamente gialla, può essere che il getto non sia installato in modo stabile. Fissare nuovamente il getto per assicurare che non vi siano perdite di gas. Anche una bombola del gas troppo piena può causare ampie fiamme gialle. Dovesse essere questo il caso, restituire la bombola alla stazione di riempimento e farne verificare il peso.
- Verificare che i fori di alimentazione dell'aria primaria nei bruciatori siano puliti ed esenti da ostruzioni.
- Se la potenza della fiamma cala o il gas non si accende, verificare che la bombola del gas contenga ancora gas (scuoterla per sentire il rumore generato dal liquido). Se c'è ancora gas, il getto potrebbe essere bloccato o parzialmente bloccato.
- Se si sospetta la presenza di un getto bloccato, seguire le istruzioni di cui sopra per pulirlo o sostituirlo.

7. Pulizia

- Per pulire il corpo passarlo con un panno umido utilizzando un po' di detersivo se necessario.
- Non utilizzare detergenti o pagliette abrasive poiché questo causerà danni permanenti alla superficie verniciata.
- Anche se l'acciaio inox è molto resistente all'ossidazione e alla ruggine rispetto agli acciai normali, richiede comunque una cura opportuna. Raccomandiamo quanto segue:
- Dopo l'uso, pulire le superfici in acciaio inox con acqua pulita e un panno morbido per una pulizia leggera; utilizzare invece un detergente per acciaio inox disponibile in commercio applicandolo su un panno morbido per le aree più difficili da pulire. Assicurarsi di rimuovere tutto il detergente per acciaio inox in eccesso dopo aver pulito il vostro barbecue.
- Per rimediare ad annerimenti o fenomeni di violatura minori, si può usare una paglietta leggera, non metallica. È importante strofinare le superfici in acciaio inox con la grana naturale per evitare di lasciare dei graffi visibili.
- Tra gli usi, è una buona idea lasciare il barbecue coperto per evitare che polveri o sali sospesi nell'aria si depositino sulle superfici in acciaio.
- Facendo un minimo di attenzione, il vostro investimento in acciaio inox di qualità conserverà a lungo la sua finitura favolosa e il suo valore.

8. Conservazione

- Maneggiare l'apparecchio con cura. Non farlo cadere.
- Dopo l'uso, attendere che l'apparecchio si raffreddi, scollegarlo dalla bombola del gas e riporlo in un luogo fresco e asciutto, lontano dal calore.
- Tenere il coperchio a cupola chiuso quando l'apparecchio non è in uso per evitare che sporczia e insetti cadano nell'unità, cosa che potrebbe influenzare il flusso del gas.
- Utilizzare una copertura per barbecue CADAC, soprattutto se l'unità viene riposta all'esterno.
- Prima di ogni utilizzo, assicurarsi che i bruciatori e i tubi a effetto Venturi siano esenti da insetti, polvere e ragnatele.

9. Parti di ricambio e accessori

- Usare esclusivamente i ricambi originali CADAC, che sono garanzia di massime prestazioni

Description	Part No.
Jet No. 0.92 (28/37mBar) / (2.8kPa - SA Only)	0.92
Jet No. 0.81 (50mBar)	0.81
Jet NO. 0.88 (Side Burner) (28/37mBar) / (2.8kPa - SA Only)	0.88
Jet NO. 0.75 (Side Burner) (50mBar)	0.75
Stratos 3B Cover	98700-30-CVR
Stratos 4B Cover	98700-40-CVR
Stratos Warmer Pan	98700-50
Stratos Reversible Grill Plate	98700-51

10. Restituzione dell'apparecchio per riparazioni o assistenza

- Non modificare l'apparecchio. Questo può rendere l'apparecchio non sicuro.
- Qualsiasi modifica renderà nulla la garanzia CADAC (Pty) Ltd.
- Se non si riesce a risolvere un guasto seguendo le presenti istruzioni, contattare il proprio fornitore locale CADAC per un'ispezione e/o una riparazione.

11. Garanzia

- CADAC (Pty) Ltd garantisce questo Barbecue a Gas CADAC all'ACQUIRENTE ORIGINARIO per eventuali difetti dei materiali e di fabbricazione a partire dalla data di acquisto come segue:

Valvole:	5 anni
Componenti in plastica:	Nessuna garanzia
Componenti smaltate (eccetto parafiamma):	5 anni
Ghisa:	5 anni
Telai verniciati:	1 anno
Brucciatori in acciaio inox:	2 anni
Parafiamma smaltati:	2 anni

La garanzia è valida solo per il prodotto assemblato e utilizzato secondo le istruzioni riportate sullo stampato.

CADAC può richiedere debito scontrino per eventuale verifica della data di acquisto. L'ACQUIRENTE È QUINDI TENUTO A CONSERVARE LA RICEVUTA DI ACQUISTO DEL PRODOTTO. Questa garanzia limitata copre eventuali riparazioni o sostituzione delle parti che si dimostrino essere difettose in seguito a un uso e una manutenzione normali e che, previa ispezione, risultino difettose, con soddisfazione di CADAC. Prima della restituzione di parti in garanzia, contattare sempre il Servizio clienti locale indicando i dati riportati sul manuale oppure chiamare il numero 0860 223 220 (solo RSA). Se CADAC conferma il difetto e accetta il reclamo in garanzia, la sostituzione non comporta addebiti. CADAC invierà all'acquirente le parti interessate porto franco o per posta prepagata.

Restano escluse dalla garanzia eventuali avarie o inconvenienti operativi causati da incidenti, abusi, uso improprio, errata applicazione, vandalismi, montaggio o manutenzione o impiego non conformi, ovvero mancata manutenzione normale e periodica, compresi tra l'altro eventuali danni causati da insetti penetrati nei condotti del bruciatore, come indicato nel manuale d'uso.

Sono altresì esclusi dalla presente garanzia limitata il deterioramento e i danni provocati da condizioni atmosferiche avverse tra cui grandine, tornado o uragani, terremoti, sbiadimento per contatto diretto con prodotti chimici anche eventualmente presenti nell'atmosfera.

Non si riconoscono altre garanzie eccetto quelle espressamente indicate in questo documento e le eventuali garanzie implicite applicabili di commerciabilità e idoneità sono comunque di durata limitata al periodo di copertura di questa garanzia limitata così come espressa. Alcune giurisdizioni non prevedono limitazioni di garanzia implicita, quindi la limitazione della garanzia può non risultare valida in alcuni territori.

CADAC declina ogni responsabilità in caso di rivendicazioni per danni speciali, indiretti o consequenziali. Talune giurisdizioni non prevedono esclusioni o limitazioni per danni incidentali o consequenziali, quindi le limitazioni o esclusioni di garanzia previste in questo documento possono non risultare valide in taluni territori.

CADAC non autorizza nessuna persona fisica o giuridica a impegnarsi per suo conto o ad assumere obblighi per quanto concerne la vendita, l'assemblaggio, l'impiego, la rimozione, la restituzione o sostituzione dei suoi prodotti e declina ogni responsabilità in merito.

Questa garanzia vale esclusivamente per i prodotti venduti al dettaglio.

Per sfruttare e assicurare la longevità del vostro prodotto CADAC, fare riferimento alla sezione di pulizia e manutenzione del manuale utente, prestando particolare attenzione alla cura dell'acciaio inox



PRECAUCIÓN

Exclusivamente para el uso al aire libre.

Este aparato no puede ser utilizado en balcones, porches o zonas de ocio exteriores que estén cerrados.

IMPORTANTE

Lea atentamente estas instrucciones para familiarizarse con el aparato antes de usarlo.

Conserve estas instrucciones para su consulta en el futuro.

1. Introducción

- TEste aparato cumple las normas BS EN 498: 2012 y SANS 1539:2012
- Este aparato solo se debe utilizar con una manguera y un regulador homologados.
- La botella de gas solo se puede utilizar en posición vertical.
- Solo puede utilizarse con una botella de gas que no exceda los 500 mm de altura.
- Los aparatos de gas requieren de ventilación para un rendimiento eficaz y para garantizar la seguridad de los usuarios y demás personas en las proximidades.

Utilizar solo en exteriores.

- **Aviso:** Las partes accesibles pueden estar muy calientes. No permita a los niños que se acerquen.

98700-21, 98700-23				
País de Uso	BE, CH, CY, CZ, ES, FR, GB, GR, IE, IT, LT, LU, LV, PT, SK & SI	PL	BE, CY, DK, EE, FR, FI, HU, IT, LT, NL, NO, SE, SI, SK, RO, HR, TR, BG, IS, LU, MT, & ZA	AT, CH, DE & SK
Categorías del aparato	I ₃₊ (28-30/37)	I _{3B/P} (37)	I _{3B/P} (30)	I _{3B/P} (50)
Gases	Butane	Propane	Butane, Propane or their mixture	
Presión de funcionamiento admisibles	28-30mBar	37mBar	37mBar	28-30mBar (2.8kPa for South Africa) 50mBar
Unidad principal de la barbacoa				
Número de inyector	0.92			0.81
Uso nominal (Butano)	255g/hr por quemador	277g/hr por quemador	255g/hr por quemador	255g/hr por quemador
Entrada bruta nominal de calor	3.5kw por quemador (3.5kW x 2 = 7kW)	3.8kw por quemador (3.8kW x 2 = 7.6kW)	3.5kw por quemador (3.5kW x 2 = 7kW)	3.5kw por quemador (3.5kW x 2 = 7kW)
Quemador lateral (98700-23)				
Número de inyector	0.88			0.75
Uso nominal (Butano)	218g/hr	255g/hr	218g/hr	218g/hr
Entrada bruta nominal de calor	3.0kW	3.5kW	3.0kW	3.0kW
Fuentes de suministro de gas	Una manguera y regulador homologados conectados a una botella de gas recargable no superior a 9kg y de conformidad con la normativa local en vigor.			

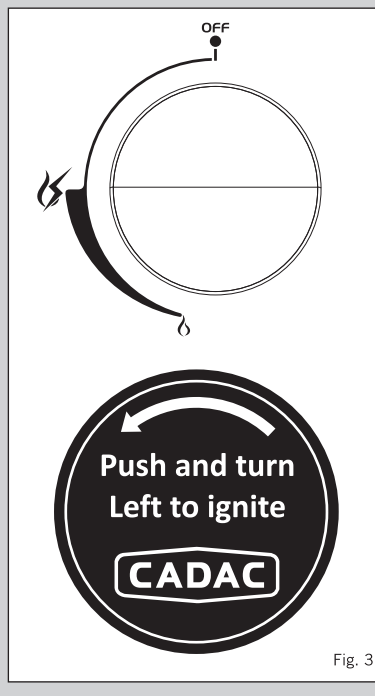
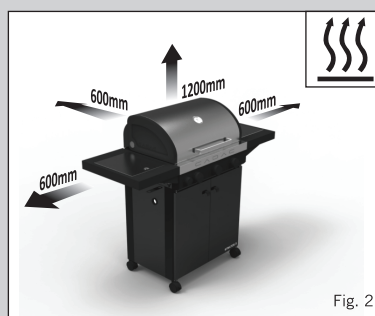
Nombres y abreviaturas de países				
AE = United Arab Emirates	AL = Albania	AT = Austria	BE = Belgium	CH = Switzerland
CZ = Czech Republic	DE = Germany	DK = Denmark	ES = Spain	FI = Finland
FR = France	GB = United Kingdom	GR = Greece	HR = Croatia	IT = Italy
JP = Japan	KR = Korea	NL = Netherlands	NO = Norway	PL = Poland
PT = Portugal	RO = Romania	RU = Russia	RS = Serbia	SI = Slovenia
SK = Slovakia	SE = Sweden	TR = Turkey		

2. Información sobre seguridad

- Antes de cada uso y antes de conectar a la botella de gas, hay que comprobar si la manguera o la junta del regulador presentan desgastes o daños (véase la figura 1).
- Asegúrese de que el aparato se utilice lejos de materiales inflamables. Las distancias mínimas de seguridad son de 1,2 m por encima del aparato y 600 mm por la parte trasera y los laterales del aparato (véase la figura 2).
- No utilizar un aparato que presente daños, fugas o que no funcione correctamente.
- Mantenga las botellas de gas, lejos del calor y las llamas. No las coloque sobre una estufa o cualquier otra superficie caliente.
- Asegúrese de que la unidad montada esté estable y no se balancee.
- No cubra ni cambie las entradas principales de admisión de aire de los quemadores ya que esto afectaría al rendimiento del producto y puede dar lugar a una llama inestable.
- En caso de retroceso de la llama (cuando la llama retrocede y se inflama el gas en el inyector), apague inmediatamente el suministro de gas, cerrando primero la válvula de control de la botella de gas y a continuación la válvula del aparato. Una vez apagada la llama quite el regulador y compruebe el estado de su junta. Si duda cambie la junta. Vuelva a encender el aparato tal como se describe en la sección 3. Si la llama retrocede persistentemente lleve el producto a su agente de reparación autorizado de CADAC.
- No modifique el aparato ni lo utilice para otros fines para los que no haya sido diseñado.
- Durante el uso, partes del aparato se calientan, en particular las zonas de cocción y la tapa. No toque las partes calientes con las manos desnudas. Se recomienda el uso de guantes para hornos.
- Mantenga a los niños alejados del aparato en todo momento.
- Este aparato consume oxígeno y necesita ventilación para un rendimiento óptimo y para la seguridad de las personas que estén cerca. Utilizar solo al aire libre.
- No mueva el aparato mientras esté en uso.
- Las partes selladas por el fabricante o su agente no debe ser modificadas por el usuario.

NOTA

- No retuerza ni oprima la manguera. Asegúrese de mantener la manguera apartada del cuerpo de la barbacoa para evitar que se deteriore o dañe por culpa del calor.
- Coloque un extremo de la manguera de baja presión en la boquilla del regulador. Pase el otro extremo desde el interior del armario, a través del orificio del panel lateral izquierdo, hasta la boquilla de la barbacoa de Patio. Empuje los extremos lo más firmemente posible. Fíjelos en su posición mediante abrazaderas en ambos extremos de la manguera.
- Asegúrese de que las conexiones se han realizado de manera segura y no permiten fugas de gas.
- Compruebe que no haya fugas de gas antes de utilizar el aparato.
- Para uso con una manguera y regulador homologados conectados a una botella de gas recargable no superior a 11 kg y de conformidad de la normativa local en vigor.
- No obstruya las aberturas de ventilación del armario.
- No modifique el aparato. Modificar el aparato puede ser peligroso.



3. Uso del aparato

- Meta la botella en el interior del armario por la parte posterior del mismo en el espacio asignado para ella.
- Utilice el aparato sobre una superficie firme y nivelada.
- Antes de usarlo asegúrese de que la taza de goteo está en su lugar.
- Asegúrese de que la botella gas está correctamente conectada al aparato.
- Asegúrese de que la válvula de control de la botella está en la posición abierta.
- Tenga en cuenta que todos los quemadores están equipados con un dispositivo de encendido automático.
- Para encender el aparato con el encendedor automático, primero asegúrese de que la tapa está en la posición abierta. Presione y gire el mando de control en sentido contrario a las agujas del reloj hasta que sienta la resistencia del muelle. Mantenga el mando en esta posición durante 3 – 5 segundos para permitir que el gas fluya y a continuación gire el mando completamente en sentido contrario a las agujas del reloj hasta la posición HIGH. Esto hará que el encendedor automático encienda el quemador. Si el quemador no se enciende la primera vez, gire el mando de control a la posición OFF y espere 5 minutos, luego repita el proceso hasta que el quemador se encienda.
- Encendido manual: Para encender los quemadores manualmente, primero retire la placa de la parrilla y la placa deflectora que está directamente debajo de ella. Encienda una cerilla o un mechero y colóquelo junto al quemador de la izquierda. Abra el suministro de gas a ese quemador presionando la válvula de control y girándola en sentido contrario a las agujas del reloj. Esto encenderá el quemador. Una vez encendido el quemador, vuelva a colocar cuidadosamente la placa deflectora y la placa de la parrilla de hierro fundido. Ahora podrá encender el resto de los quemadores como se ha indicado.
- Utilice los mandos de control para ajustar la intensidad de la llama de cada quemador al nivel deseado girando el mando en sentido contrario a las agujas del reloj para reducir la llama y en el sentido de las agujas del reloj para aumentarla (véase la figura 3).
- Después del uso, cierre la válvula de la botella de gas. Una vez extinguida la llama, cierre las válvulas de control del quemador del aparato girando los mandos de control totalmente en el sentido de las agujas del reloj.

4. Instalación y cambio de la botella de gas

- Antes de conectar el aparato a una botella de gas, asegúrese de que la junta de goma del regulador está en su lugar y en buenas condiciones.
- Lleve a cabo esta comprobación cada vez que instale en el aparato una botella de gas (véase la figura 1).
- Elimine cualquier tipo de suciedad de la abertura de la botella para evitar la posible obturación del inyector.
- Instale o cambie la botella de gas siempre al aire libre, lejos de cualquier fuente de ignición como llamas, y lejos de otras personas.
- Asegúrese de que la botella de gas se mantenga en posición vertical en todo momento. Apriete a mano el regulador en la botella hasta que esté bien conectado.
- Si hay una fuga en el aparato (olor a gas), apague todas las fuentes de ignición en las proximidades del aparato. Para comprobar si hay fugas en el aparato, utilice agua jabonosa aplicada a la zona donde sospeche que hay fugas. Si se forman burbujas es indicación de una fuga de gas. Compruebe que todas las conexiones estén bien ajustadas y vuelva a revisar con agua jabonosa. Si no consigue eliminar la fuga de gas, no utilice el aparato. Póngase en contacto con su distribuidor local de CADAC para obtener asistencia.
- Para cambiar una botella de gas, cierre primero la válvula de la botella y a continuación la válvula del aparato, asegurándose de que la llama se extingue y desensosque el regulador. Vuelva a colocar el regulador en la botella llena siguiendo las mismas precauciones que se han descrito.

5. Mantenimiento general

- No existen intervalos de mantenimiento predeterminados para este aparato.
- Es peligroso usar un aparato que tenga la junta o la manguera agrietadas o en mal estado. Inspeccione las juntas y la manguera regularmente y sustitúyalas si no están en buen estado antes de utilizar el aparato.
- Si el aparato se ha usado, estará caliente. Deje que se enfríe lo suficiente antes de realizar cualquier tarea de mantenimiento.
- Las barbacoas CADAC Patio están equipadas con inyectores CADAC específicos para regular la cantidad correcta de gas. Si el orificio del inyector se obtura puede dar lugar a una llama pequeña o a que no haya llama en absoluto. No trate de limpiar el inyector con un alfiler u otro dispositivo similar, ya que podría dañar el orificio y hacer que el aparato no fuese seguro. Consulte en la sección "Introducción" (sección 1) los tamaños de inyector.

5.1. Sustitución de un inyector obturado

- Asegúrese de que la válvula de la botella está cerrada, a continuación, desconecte el aparato de la botella de gas.
- Retire las placas de la parrilla. Retire los distribuidores de llama para exponer los quemadores. Quite los tornillos de fijación del quemador afectado.
- Retire el quemador afectado sacándolo de su ubicación teniendo cuidado de no dañar la válvula de control al hacerlo. Esto dejará a la vista el inyector.
- Desensosque el inyector obturado con una llave adecuada y sustitúyalo por un inyector nuevo. No utilice alicates en el inyector, ya que pueden dañarlo, dejarlo inutilizable o imposible de retirar.
- Para volver a montar, invierta el procedimiento anterior. No apriete demasiado el inyector, ya que podría dañarlo.

5.2. Cambio de la manguera

- La longitud de la manguera no debe ser inferior a 0,8 m ni superior a 1,2 m. Compruebe la fecha de caducidad indicada en la manguera y cámbiela cuando sea necesario. La instalación de la manguera se describe en la sección 2. En este aparato solo puede utilizarse una manguera de gas conforme a las normas SANS 1156-2, BS 3212 o DIN4815.
- La manguera utilizada debe cumplir las normas BS 3212:1991 / SABS 1156-2:2010 o equivalente.

5. Mantenimiento general (continuación)

5.3. Cambio del regulador

- En Sudáfrica, el regulador utilizado debe ser de 2,8 kPa y debe cumplir la norma SANS 1237.
- Use un regulador de butano (o propano) de 30 mbar de categoría de gas I3B/P(30)
- Use un regulador de butano de 30 mbar de categoría de gas I3+(28-30) para butano.
- Use un regulador de propano de 37 mbar de categoría de gas I3+(37) para propano.
- Use un regulador de butano (o propano) de 50 mbar de categoría de gas I3B/P(50)
- Es importante que la conexión entre la salida del regulador y la manguera de baja presión esté bien ajustada y que se sujete con una abrazadera metálica. Revise siempre el conjunto por si hubiera fugas de gas, como se describe en la sección 4 anterior.

6. Solución de problemas

- Una llama normal es de color azul y puede tener una punta de color naranja o amarillo. Si la llama es completamente amarilla, puede ser que el inyector esté mal instalado. Vuelva a apretar el inyector para asegurarse de que no haya fugas de gas. Una botella de gas llena en exceso también puede causar grandes llamas amarillas. Si este es el caso, hay que devolver la botella a la estación de llenado y comprobar su peso.
- Compruebe que los orificios principales de alimentación de los quemadores estén limpios y libres de obstrucciones.
- Si disminuye la potencia de la llama o el gas no se enciende, compruebe que la botella aún contiene gas (agítela para oír el ruido de un líquido). Si todavía hay gas, el inyector podría estar obturado o parcialmente obturado.
- Si sospecha que un inyector está obturado, siga las instrucciones anteriores para su limpieza o sustitución.

7. Limpieza

- Para limpiar el cuerpo de la barbacoa, simplemente limpie con un paño húmedo con un poco de detergente si es necesario.
- No use limpiadores abrasivos o estropajos ya que podrían causar daños permanentes en la superficie pintada.
- Aunque el acero inoxidable es muy resistente a la corrosión y las manchas comparado con los aceros ordinarios, hay que prestarle una atención adecuada. Se recomienda lo siguiente:
- Después del uso, limpie las superficies de acero inoxidable con agua limpia y un paño suave en zonas de poca suciedad, y en las zonas de mayor suciedad utilice un limpiador de acero inoxidable disponible en el mercado con un paño suave. Asegúrese de eliminar todo exceso de limpiador de acero inoxidable después de la limpieza de su barbacoa.
- Para reparar manchas o picaduras leves, se puede utilizar un estropajo no metálico. Es importante que se frote siguiendo el grano natural de la superficie de acero inoxidable para evitar dejar marcas visibles de arañazos.
- Entre usos, es aconsejable dejar la barbacoa cubierta para evitar que el polvo y las sales del aire se sedimenten en las superficies de acero inoxidable.
- Con un poco de cuidado, su inversión en acero inoxidable de calidad mantendrá su bello acabado, así como su valor durante mucho tiempo.

8. Almacenamiento

- Manipule el aparato con cuidado. No lo deje caer.
- Tras el uso, espere a que se enfríe el aparato, desconéctelo de la botella de gas y guárdelo en un lugar fresco y seco lejos de fuentes de calor.
- Mantenga la tapa cerrada cuando no esté en uso para evitar que la suciedad y los insectos entren en la unidad, lo que podría afectar al flujo de gas.
- Use una cubierta para barbacoas CADAC, especialmente si la unidad se almacena al aire libre.
- Antes de cada uso, asegúrese de que los quemadores y tubos no tienen insectos, polvo o telarañas.

9. Spares and Accessories

- Utilice siempre recambios originales de CADAC ya que han sido diseñados para ofrecer un rendimiento óptimo.

Descripción	Nº de
Inyector nº 0.92 (28 mbar) / (2,8 kPa - solo en SA)	0.92
Inyector nº 0.81 (50 mbar)	0.81
Inyector nº 0.88 (quemador lateral) (28 mbar) / (2,8 kPa - solo en SA)	0.88
Inyector nº 0.75 (quemador lateral) (50 mbar)	0.75
Cubierta Stratos 3B	98700-30-CVR
Cubierta Stratos 4B	98700-40-CVR
Plancha caliente Stratos	98700-50
Placa de parrilla reversible Stratos	98700-51

10. del aparato para reparación o servicio

- No modifique el aparato. Esto puede causar que el aparato se vuelva inseguro.
- Cualquier modificación anulará y dejará sin efecto la garantía de CADAC (Pty) Ltd.
- Si usted no puede corregir las anomalías siguiendo estas instrucciones, póngase en contacto con su distribuidor local de CADAC para concertar una revisión y/o reparación

11. Garantía

- CADAC (Pty) Ltd garantiza al COMPRADOR ORIGINAL esta barbacoa de gas de CADAC frente a defectos de materiales y mano de obra a partir de la fecha de compra según las siguientes condiciones:

Válvulas:	5 años
Piezas de plástico:	Sin garantía
Piezas esmaltadas (excepto los distribuidores de llama):	5 años
Hierro fundido:	5 años
Bastidores pintados:	1 año
Quemadores de acero inoxidable:	2 años
Distribuidores de llama esmaltados:	2 años

La garantía solo tendrá validez si la unidad se monta y usa de acuerdo con las instrucciones impresas.

CADAC podrá solicitar una prueba fehaciente de la fecha de compra. POR LO TANTO, DEBE CONSERVAR EL RECIBO O FACTURA DE COMPRA. Esta garantía se limita a la reparación o sustitución de piezas que resulten defectuosas en condiciones de uso y servicio normales según la confirmación de CADAC al inspeccionarlas.

Antes de devolver cualquier pieza, póngase en contacto con el representante de servicio al cliente de su región, utilizando la información de contacto indicada en su manual o llame al teléfono 0860 223 220 (solo en RSA). Si CADAC confirma el defecto y aprueba la reclamación, podrá reemplazar las piezas sin cargo alguno. CADAC devolverá las piezas al comprador a portes pagados.

Esta garantía limitada no cubre fallos o dificultades de funcionamiento debido a accidentes, abusos o alteraciones para un uso inadecuado, mal uso, vandalismo, instalación incorrecta, mantenimiento o reparación inadecuados, o falta de mantenimiento normal y de rutina, incluyendo entre otros los daños causados por los insectos dentro de los tubos de los quemadores, como se indica en este manual.

El deterioro o los daños debidos a condiciones meteorológicas adversas como granizo, huracanes, terremotos o tornados, y la decoloración debido a la exposición a sustancias químicas, ya sea directamente o en la atmósfera, no están cubiertos por esta garantía limitada.

No hay otras garantías expresas aparte de las dispuestas en este documento y toda garantía implícita aplicable de comerciabilidad y aptitud están limitadas en su duración al periodo de cobertura de esta garantía impresa limitada expresa. Algunas regiones no permiten limitaciones en la duración de una garantía implícita, por lo que esta limitación puede no aplicarse en su caso.

CADAC no se hace responsable de ningún daño especial, indirecto o derivado. Algunas regiones no permiten la exclusión o limitación de daños incidentales o derivados, por lo que esta limitación o exclusión puede no aplicarse en su caso.

CADAC no autoriza a ninguna persona física o jurídica para asumir ninguna obligación o responsabilidad en relación con la venta, instalación, uso, eliminación, cambio o sustitución de sus equipos, no siendo vinculantes para CADAC ninguna declaración en este sentido.

Esta garantía se aplica solo a los productos vendidos al por menor.

Para disfrutar y garantizar la longevidad de su producto CADAC, consulte la sección de limpieza y mantenimiento del manual del usuario con atención especial a los cuidados del acero inoxidable.

OSTROŻNIE

Wyłącznie do użytku na zewnątrz!

Zabrania się korzystania z urządzenia na zamkniętych, balkonach, gankach i altanach!



IWAŻNE

Należy uważnie zapoznać się z niniejszą instrukcją oraz z samym urządzeniem przed przystąpieniem do jego użytkowania. Zachować niniejszą instrukcję do wykorzystania w przyszłości.

1. Wprowadzenie

- Urządzenie jest zgodne z normami BS EN 498: 2012 i SANS 1539:2012.
- Urządzenie może być stosowane wyłącznie wraz z zatwierdzonym węzłem i reduktorem.
- Butla gazowa może być użytkowana wyłącznie w pozycji pionowej.
- Stosować wyłącznie butle gazowe o wysokości maksymalnie 500 mm.
- Do prawidłowej pracy urządzeń gazowych oraz bezpieczeństwa użytkowników i innych osób znajdujących się w pobliżu urządzenia wymagana jest wentylacja. Wyłącznie do użytkowania na zewnątrz!
- Ostrzeżenie: Elementy urządzenia mogą nagrzewać się do wysokich temperatur. Urządzenie powinno znajdować się w miejscu niedostępnym dla dzieci

98700-21, 98700-23				
Kraj, w którym urządzenie jest używane	BE, CH, CY, CZ, ES, FR, GB, GR, IE, IT, LT, LU, LV, PT, SK & SI	PL	BE, CY, DK, EE, FR, FI, HU, IT, LT, NL, NO, SE, SI, SK, RO, HR, TR, BG, IS, LU, MT, & ZA	AT, CH, DE & SK
Kategoria urządzenia	I ₃ (28-30/37)	I _{3B/P} (37)	I _{3B/P} (30)	I _{3B/P} (50)
Dopuszczalne gazy	Butane	Propane	Butane, Propane or their mixture	
ciśnienie robocze	28-30mBar	37mBar	37mBar	28-30mBar (2.8kPa for South Africa) 50mBar
Główny korpus grilla				
Średnica dyszy palnika	0.92			0.81
Nominalne zużycie gazu(Butan)	255g/godz. na palnik	277g/godz. na palnik	255g/godz. na palnik	255g/godz. na palnik
Nominalne obciążenie ciepłna brutto	3.5kw na palnik (3.5kW x 2 = 7kW)	3.8kw na palnik (3.8kW x 2 = 7.6kW)	3.5kw na palnik (3.5kW x 2 = 7kW)	3.5kw na palnik (3.5kW x 2 = 7kW)
Palnik boczny (98700-23)				
Średnica dyszy palnika	0.88			0.75
Nominalne zużycie gazu(Butan)	218g/hr	255g/hr	218g/hr	218g/hr
Nominalne obciążenie ciepłna brutto	3.0kW	3.5kW	3.0kW	3.0kW
Elementy doprowadzające gaz	Zatwierdzone węź i reduktor podłączone do butli gazowej do napełniania o masie maks. 9 kg, zgodnej z obowiązującymi w danym kraju przepisami			

Country Name and Abbreviations				
AE = United Arab Emirates	AL = Albania	AT = Austria	BE = Belgium	CH = Switzerland
CZ = Czech Republic	DE = Germany	DK = Denmark	ES = Spain	FI = Finland
FR = France	GB = United Kingdom	GR = Greece	HR = Croatia	IT = Italy
JP = Japan	KR = Korea	NL = Netherlands	NO = Norway	PL = Poland
PT = Portugal	RO = Romania	RU = Russia	RS = Serbia	SI = Slovenia
SK = Slovakia	SE = Sweden	TR = Turkey		

2. Informacje z zakresu bezpieczeństwa

- Przed każdym użyciem grilla i podłączeniem go do butli gazowej sprawdź wąż i uszczelkę reduktora pod kątem zużycia i uszkodzeń (zob. rys. 1).
- Upewnij się, że w pobliżu urządzenia nie znajdują się żadne materiały łatwopalne. Minimalna bezpieczna odległość wynosi 1,2 m ponad i 600 mm z tyłu i z boku urządzenia (zob. rys. 2).
- Nie używać urządzenia, jeśli jest uszkodzone, nieszczelne lub nie działa prawidłowo.
- Butle gazowe przechowywać z dala od otwartych płomieni i źródeł ciepła. Nie umieszczać urządzenia na piecu ani żadnych innych gorących powierzchniach.
- Upewnij się, że urządzenie jest stabilne i nie przechyli się.
- Nie zakrywać ani nie modyfikować otworów doprowadzających powietrze do palników, ponieważ może to wpłynąć na działanie urządzenia i spowodować niestabilność płomienia.
- W przypadku wystąpienia płomienia wstecznego (kiedy płomień cofa się, powodując zapłon dyszy palnika), natychmiast odciąć dopływ gazu, zamykając najpierw zawór butli, a następnie zawór urządzenia. Po wygaszeniu płomienia zdemontować reduktor i sprawdzić stan uszczelki. W razie konieczności wymienić uszczelkę. Ponownie zapalić palnik w sposób opisany w części 3 poniżej. Jeśli zjawisko płomienia wstecznego powtarza się, skontaktować się z autoryzowanym punktem serwisowym CADAC.
- Nie modyfikować urządzenia ani nie używać go niezgodnie z przeznaczeniem.
- Podczas pracy elementy urządzenia, a zwłaszcza powierzchnia gotowania i osłona, rozgrzewają się do wysokich temperatur. Należy unikać dotykania gorących elementów nieosłoniętymi dłońmi. Zaleca się używanie rękawic kuchennych.
- Nie dopuszczać dzieci w bezpośrednie pobliże urządzenia.
- Ponieważ urządzenie wykorzystuje tlen, do jego prawidłowej pracy oraz bezpieczeństwa osób znajdujących się w pobliżu wymagana jest odpowiednia wentylacja. Wyłącznie do użytkowania na zewnątrz!
- Nie przemieszczać urządzenia, jeśli jest ono włączone.
- Zabrania się manipulowania przy elementach uszczelnionych fabrycznie przez producenta lub jego przedstawiciela.

UWAGA

- Uważać, aby nie zgiąć ani nie ścisnąć węża. Upewnij się, że wąż nie styka się z korpusem grilla, co mogłoby spowodować jego uszkodzenie/pogorszenie stanu w wyniku działania ciepła.
- Jeden koniec węża ciśnieniowego zamontować do dyszy reduktora. Poprowadzić drugi koniec węża do wnętrza obudowy poprzez otwór znajdujący się w lewym panelu bocznym i zamocować do dyszy grilla Patio BBQ. Nasunąć końcówki węża jak najmocniej na dysze. Zamocować oba końce węża za pomocą zacisków.
- Upewnij się, że połączenia są szczelne i nie rozłączą się.
- Przed przystąpieniem do użytkowania urządzenia sprawdzić jego szczelność.
- Używać wyłącznie zatwierdzonych węża i reduktora podłączonych do butli gazowej do napełniania o masie maks. 11 kg, zgodnej z obowiązującymi przepisami lokalnymi.
- Nie blokować otworów wentylacyjnych w obudowie.
- Nie modyfikować urządzenia. Wszelkie modyfikacje urządzenia stwarzają zagrożenie dla bezpieczeństwa.

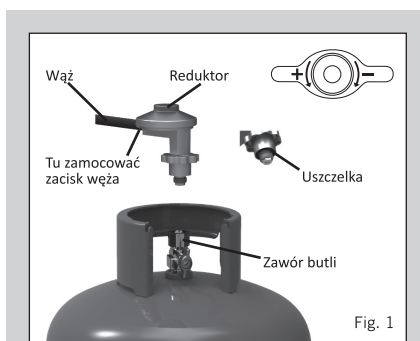


Fig. 1

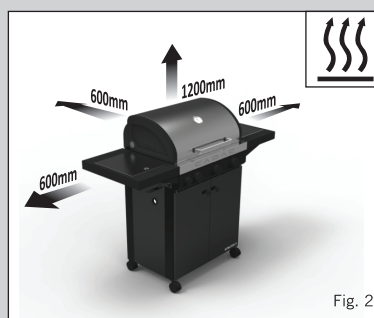


Fig. 2

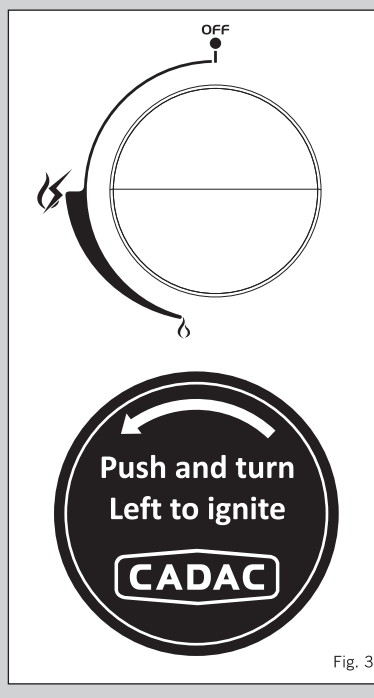


Fig. 3

3. Użytkowanie urządzenia

- Umieścić butlę w obudowie urządzenia, wkładając ją od tyłu w wyznaczone miejsce.
- Urządzenie może być użytkowane wyłącznie na stabilnym, równym podłożu.
- Przed przystąpieniem do użytkowania upewnić się, że taca ściekowa znajduje się na swoim miejscu.
- Upewnić się, że butla z gazem jest prawidłowo podłączona do urządzenia.
- Upewnić się, że zawór butli jest otwarty.
- Uwaga! Wszystkie palniki wyposażone są w automatyczną zapalarkę.
- W celu rozpalenia grilla za pomocą zapalarki automatycznej należy najpierw upewnić się, że pokrywa jest otwarta. Nacisnąć i przekręcić pokrętkę w lewo do momentu wycucia oporu sprężyny. Przytrzymać pokrętkę w tym położeniu przez 3 do 5 sekund, aż rozpocznie się przepływ gazu, a następnie całkowicie przekręcić pokrętkę w lewo do położenia HIGH. Spowoduje to zadziałanie automatycznej zapalarki, która rozпали palnik. Jeśli palnik nie rozпали się za pierwszym razem, obrócić pokrętkę do położenia OFF, odczekać 5 minut i powtórzyć procedurę rozpalania palnika.
- Rozpalanie ręczne: Aby ręcznie rozpalic palnik, należy w pierwszej kolejności zdjąć płytę do grillowania i znajdującą się bezpośrednio pod nią płytę deflektora. Zapalic zapalarkę lub zapalniczkę i umieścić ją obok lewego palnika. Włączyć dopływ gazu do palnika, wciskając zawór palnika i obracając go w lewo. Spowoduje to rozpalenie palnika. Po rozpaleniu palnika ostrożnie założyć płytę deflektora i żeliwną płytę do grillowania. Pozostałe palniki można teraz rozpalic w sposób opisany powyżej.
- Za pomocą pokręteł wyregulować intensywność płomienia dożądanego poziomu, obracając pokrętkę w lewo, aby zmniejszyć płomień, lub w prawo, aby go zwiększyć (zob. rys. 3).
- Po zakończeniu użytkowania w pierwszej kolejności zamknąć zawór butli z gazem. Po zgaśnięciu płomienia zamknąć zawory palników urządzenia, obracając pokrętkę całkowicie w prawo.

4. Montaż i wymiana butli z gazem

- Przed podłączeniem butli z gazem do urządzenia należy upewnić się, że gumowa uszczelka reduktora znajduje się na swoim miejscu i jest w dobrym stanie.
- Kontrolę tę należy przeprowadzać przy każdym podłączeniu butli z gazem do urządzenia (zob. rys. 1).
- Zdmuchnąć osady z butli, aby zapobiec zablokowaniu się dyszy.
- Butlę z gazem należy zawsze podłączać/wymieniać na zewnątrz, z dala od jakichkolwiek źródeł zapłonu, takich jak otwarty płomień, oraz z dala od innych osób.
- Upewnić się, że butla przez cały czas znajduje się w pozycji pionowej. Ręcznie dokręcać reduktor do butli do momentu jego prawidłowego zamocowania.
- W przypadku wykrycia nieszczelności (zapachu gazu) zgasić wszelkie źródła zapłonu znajdujące się w pobliżu urządzenia. Do sprawdzania szczelności urządzenia w obszarze potencjalnego wycieku używać wody z mydłem. Wytworzenie się baniek mydlanych wskazuje na wyciek gazu. Sprawdzić, czy wszystkie połączenia są prawidłowo wykonane, i przeprowadzić kontrolę za pomocą wody z mydłem. Jeśli wykrycie wycieku nie jest możliwe, nie używać dalej urządzenia. Skontaktować się z lokalnym dystrybutorem CADAC w celu uzyskania pomocy technicznej.
- Podczas wymiany butli z gazem w pierwszej kolejności należy zamknąć zawór butli, a następnie zawór urządzenia. Upewnić się, że płomień jest wygaszony, i odkręcić reduktor. Zamocować reduktor do pełnej butli, stosując się do środków ostrożności opisanych powyżej.
- Po zakończeniu montażu urządzenia, a przed przystąpieniem do jego użytkowania należy przeprowadzić test szczelności

5. Konserwacja ogólna

- W przypadku tego urządzenia nie istnieją żadne ściśle określone okresy, w których należy przeprowadzać konserwację.
- Użytkowanie urządzenia z pękniętą lub zgiętą uszczelką/wężem jest niebezpieczne. Należy kontrolować stan uszczelki i węża przed każdym użyciem i w razie potrzeby wymienić je.
- Włączone urządzenie rozgrzewa się do wysokich temperatur. Przed przystąpieniem do konserwacji należy zaczekać, aż urządzenie ostygnie.
- Grill CADAC Patio BBQ wyposażony jest w specjalne dysze CADAC służące do regulacji ilości doprowadzanego gazu. Zablokowanie się otworu dyszy może być przyczyną zbyt małego płomienia lub jego braku. Nie należy czyścić dyszy za pomocą szpilki lub innego podobnego przedmiotu, ponieważ może to doprowadzić do uszkodzenia wylotu dyszy, przez co użytkowanie urządzenia może stwarzać zagrożenie. Rozmiary dysz opisane są w części „Wprowadzenie” (część 1).

5.1. Wymiana zablokowanej dyszy

Upewnić się, że zawór butli jest zamknięty, a następnie odłączyć urządzenie od butli z gazem.

- Zdjąć płyty do grillowania. Zdjąć tłumiki płomienia w celu odsłonięcia palników. Wykręcić śruby ustalające uszkodzonego palnika.
- Wyjąć uszkodzony palnik, podnosząc go do góry. Uważać, aby w tym czasie nie uszkodzić zaworu palnika. Spowoduje to odsłonięcie dyszy.
- Odkręcić zablokowaną dyszę za pomocą odpowiedniego klucza i wymienić ją na nową. Nie używać kombinerek, ponieważ mogą one uszkodzić dyszę, przez co nie będzie się ona nadawać do użytku lub jej wyjęcie nie będzie możliwe.
- W celu zmontowania urządzenia wykonać opisane powyżej czynności w odwrotnej kolejności. Nie dokręcać zbyt mocno, ponieważ może to spowodować uszkodzenie dyszy.

5.2. Wymiana węża

- Długość węża powinna wynosić od 0,8 m do 1,2 m. Sprawdzić termin przydatności węża do użytkowania i w razie potrzeby wymienić go. Podłączenie węża opisano w części 2. Z tym urządzeniem stosować można wyłącznie węże LPG zgodne z normami SANS 1156-2, BS 3212 lub DIN4815.
- Stosowany wąż musi być zgodny z normą BS 3212:1991/SABS 1156-2:2010 lub jej odpowiednikiem.

5. Konserwacja ogólna – cd.

5.3. Wymiana reduktora

- Na terenie RPA dopuszczalne jest stosowanie wyłącznie reduktorów o ciśnieniu 2,8 kPa zgodnych z normą SANS 1237.
- W przypadku gazu kategorii I3B/P(30) stosować reduktor do butanu (propanu) o ciśnieniu 30 mbar.
- W przypadku gazu kategorii I3+(28-30) stosować reduktor do butanu o ciśnieniu 30 mbar.
- W przypadku gazu kategorii I3+(37) stosować reduktor do propanu o ciśnieniu 37 mbar.
- W przypadku gazu kategorii I3B/P(50) stosować reduktor do butanu (propanu) o ciśnieniu 50 mbar.
- Ważne jest, aby połączenie pomiędzy reduktorem wylotowym i wężem niskociśnieniowym było szczelne i zabezpieczone metalowym zaciskiem. Należy zawsze sprawdzać szczelność tego połączenia w sposób opisany w części 4 powyżej.

6. Rozwiązywanie problemów

- Zwykły płomień ma kolor niebieski z pomarańczową lub żółtą końcówką. Jeśli płomień jest całkowicie żółty, dysza może nie być prawidłowo zamocowana. Odpowiednio zamocować dyszę i upewnić się, że nie ma żadnych wycieków gazu. Przyczyną występowania dużego żółtego płomienia może również być przepelniona butla z gazem. W takim przypadku należy zwrócić butlę do stacji napełniania w celu sprawdzenia jej masy.
- Sprawdzić, czy otwory doprowadzające powietrze do palników są czyste i drożne.
- Jeśli płomień stracił swoją intensywność lub nie chce się rozpaść, należy sprawdzić, czy w butli znajduje się jeszcze gaz (w tym celu potrząsnąć butlą – powinien być słyszalny przelew cieczy). Jeśli butla nie jest pusta, dysza może być w całości lub częściowo zablokowana.
- W przypadku podejrzenia zablokowania się dyszy wyczyścić ją lub wymienić w sposób opisany powyżej.

7. Czyszczenie

- Korpus urządzenia należy czyścić za pomocą wilgotnej ściereczki nasączonej niewielką ilością detergentu.
- Nie używać środków do szorowania ani ostrych ściereczek, ponieważ mogą one trwale uszkodzić powłokę urządzenia.
- Mimo że stal nierdzewna jest bardziej odporna na śnież i rdzę niż zwykła stal, nadal wymaga odpowiedniej pielęgnacji. Zaleca się, aby:
- Po każdym użyciu oczyścić lekkie zabrudzenia z powierzchni stali nierdzewnej za pomocą wody i miękkiej ściereczki. Zabrudzenia trudniejsze do usunięcia należy czyścić za pomocą dostępnych w handlu środków do czyszczenia stali nierdzewnej i miękkiej ściereczki. Upewnić się, że po zakończeniu czyszczenia pozostałości środka czyszczącego zostały usunięte ze stali nierdzewnej.
- Do usuwania plam z herbaty czy rozprysków tłuszczu należy używać niemetalowych czyścików. Ważne jest, aby powierzchnie przecierać zgodnie z kierunkiem ułożenia ziaren powierzchni ze stali nierdzewnej, dzięki czemu nie pozostaną na niej widoczne ślady zadrapań.
- Kiedy urządzenie nie jest używane, zaleca się przykrycie go w celu zabezpieczenia przed pyłem i solami wytrącającymi się z powietrza, osiadającymi na powierzchni stali nierdzewnej.
- Wystarczy tylko trochę uwagi, aby stal nierdzewna zachowała swój piękny wygląd i właściwości przez długi czas.

8. Przechowywanie

- Podczas przenoszenia urządzenia należy zachować ostrożność. Nie upuszczać urządzenia,
- Po każdym użyciu zaczekać, aż urządzenie ostygnie, odłączyć je od butli z gazem i przenieść do suchego, chłodnego pomieszczenia z dala od źródeł ciepła.
- Jeśli urządzenie nie jest używane, pokrywa powinna pozostawać zamknięta, aby zapobiec przedostawaniu się do wnętrza zanieczyszczeń i insektów, które mogłyby zaburzyć przepływ gazu.
- Używać specjalnej pokrywy CADAC BBQ, zwłaszcza jeśli urządzenie jest przechowywane na zewnątrz.
- Przed każdym użyciem upewnić się, że w palnikach i dyszach nie znajdują się owady, zanieczyszczenia ani pajęczyny.

9. Części zamienne i akcesoria

- Zawsze stosować oryginalne części zamienne CADAC, ponieważ zostały one zaprojektowane tak, by zagwarantować optymalną sprawność.

Opis	Nr części
Dysza nr 0,92 (28 mbar)/(2,8 kPa – tylko RPA)	0.92
Dysza nr 0,81 (50 mbar)	0.81
Dysza nr 0,88 (palnik boczny) (28 mbar)/(2,8 kPa – tylko RPA)	0.88
Dysza nr 0,75 (palnik boczny) (50 mbar)	0.75
Pokrywa Stratos 3B	98700-30-CVR
Pokrywa Stratos 4B	98700-40-CVR
Podgrzewacz Stratos	98700-50
Odwracalna płyta do grillowania Stratos	98700-51

10. Zwrot urządzenia w celu naprawy lub serwisowania

- Nie modyfikować urządzenia. Może to stwarzać zagrożenie dla bezpieczeństwa.
- Wszelkie modyfikacje powodują utratę gwarancji CADAC (Pty) Ltd.
- Jeśli samodzielnie usunięcie usterki zgodnie z wytycznymi podanymi w niniejszej instrukcji nie jest możliwe, należy skontaktować się z lokalnym dystrybutorem CADAC w celu przeprowadzenia naprawy/przeгляdu.

11. Gwarancja

- CADAC (Pty) Ltd niniejszym udziela gwarancji PIERWOTNEMU NABYWCY grilla gazowego CADAC, że jest on wolny od wad materiałowych i wykonawczych, począwszy od daty zakupu, na następujące okresy:

Zawory:	5 lat
Elementy z tworzywa:	Brak gwarancji
Elementy emaliowane (z wyjątkiem tłumików płomieni):	5 lat
Elementy żeliwne:	5 lat
Rama powlekana:	1 rok
Palniki ze stali nierdzewnej:	2 lata
Emaliowane tłumiki płomieni:	2 lata

Gwarancja zachowuje ważność tylko w przypadku zmontowania i użytkowania urządzenia zgodnie z wydrukowaną instrukcją obsługi.

CADAC może wymagać udowodnienia daty zakupu urządzenia. Z TEGO WZGLĘDU NALEŻY ZACHOWAĆ RACHUNEK LUB FAKTURĘ POTWIERDZAJĄCĄ ZAKUP. Niniejsza ograniczona gwarancja będzie ograniczona do naprawy lub wymiany części, które okażą się wadliwe przy normalnym użytkowaniu i konserwacji

i które po zbadaniu przez CADAC zostaną uznane za wadliwe. Przed dokonaniem zwrotu jakichkolwiek części należy skontaktować się z przedstawicielem obsługi klienta w swoim regionie, wykorzystując dane kontaktowe podane w instrukcji obsługi, lub zadzwonić pod numer 0860 223 220 (tylko Republika Południowej Afryki). Jeżeli CADAC potwierdzi defekt i zatwierdzi reklamację, podjęta zostanie decyzja o bezpłatnej wymianie takich części. CADAC prześle części nabywcy po opłaceniu przezeń z góry kosztów wysyłki.

Niniejsza ograniczona gwarancja nie obejmuje żadnych usterek lub trudności w użytkowaniu wynikłych na skutek wypadku, nadużycia, niewłaściwego użycia, zmian, niewłaściwego stosowania, aktów wandalizmu, nieprawidłowego zamontowania lub niewłaściwej konserwacji albo serwisowania bądź zaniedbania normalnej i rutynowej konserwacji, włączając w to między innymi, lecz nie wyłącznie, uszkodzenia spowodowane przez owady w rurkach palnika, jak ustalono w niniejszej instrukcji obsługi.

Pogorszenie stanu lub uszkodzenie na skutek surowych warunków klimatycznych, takich jak grad, huragany, trzęsienia ziemi lub tornada, odbarwienia wynikające z narażenia na działanie chemikaliów tak bezpośrednio, jak i pochodzących z atmosfery, nie są objęte niniejszą ograniczoną gwarancją.

Nie ma żadnych innych jawnych gwarancji poza tymi, które określono w niniejszym dokumencie, a wszelkie obowiązujące dorozumiane gwarancje zdolności handlowej i nadawania się do zastosowania są ograniczone do okresu obowiązywania niniejszej jawnej pisemnej ograniczonej gwarancji. W niektórych regionach nie dopuszcza się ograniczania okresu trwania dorozumianej gwarancji, dlatego to ograniczenie może nie mieć zastosowania względem części klientów.

CADAC nie ponosi odpowiedzialności za żadne szkody specjalne, pośrednie i wynikowe. W niektórych regionach nie dopuszcza się wyłączenia lub ograniczania szkód przypadkowych bądź pośrednich, dlatego to ograniczenie lub wykluczenie może nie mieć zastosowania względem części klientów.

Firma CADAC nie upoważnia żadnych osób ani przedsiębiorstw do podejmowania w jej imieniu jakichkolwiek zobowiązań lub odpowiedzialności w związku ze sprzedażą, montażem, użytkowaniem, usuwaniem, zwrotem lub wymianą jej urządzeń; żadne takie reprezentacje nie będą wiążące dla CADAC.

Niniejsza gwarancja ma zastosowanie tylko do produktów sprzedawanych w handlu detalicznym.

Aby w pełni cieszyć się grillem CADAC przez długi czas, należy stosować się do instrukcji czyszczenia i konserwacji zawartych w niniejszym dokumencie, zwracając szczególną uwagę na fragmenty poświęcone pielęgnacji stali nierdzewnej.

VARNING

Endast för användning utomhus.



Denna apparat får inte användas på en sluten utomhusbalkong, veranda eller slutet rekreationsområde!

VIKTIGT:Läs dessa instruktioner noggrant för att bekanta dig med apparaten innan användning.
Behåll dessa instruktioner för framtida referens.**1. Inledning**

- Denna apparat uppfyller BS EN 498: 2012 och SANS 1539:2012.
- Apparaten får endast användas med godkänd slang och regulator.
- Gasflaskan får endast användas i upprätt läge.
- Apparaten får endast användas med en gasflaska som inte överstiger 500 mm i höjd.
- Ventilation krävs för gasapparatsens effektiva prestanda samt för att garantera säkerheten för användare och andra personer i närheten. Använd endast utomhus!
- Varning: Åtkomliga delar kan bli mycket varma. Håll små barn borta.

98700-21, 98700-23				
Land där den används	BE, CH, CY, CZ, ES, FR, GB, GR, IE, IT, LT, LU, LV, PT, SK & SI	PL	BE, CY, DK, EE, FR, FI, HU, IT, LT, NL, NO, SE, SI, SK, RO, HR, TR, BG, IS, LU, MT, & ZA	AT, CH, DE & SK
Apparatens kategorier	I ₃₊₁ (28-30/37)	I _{3B/P} (37)	I _{3B/P} (30)	I _{3B/P} (50)
Tillåtna gaser	Butane	Propane	Butane, Propane or their mixture	
Arbetstryck	28-30mBar	37mBar	37mBar	28-30mBar (2.8kPa for South Africa) 50mBar
Grill huvudenhet				
Munstycke nummer	0.92			0.81
Nominell användning (Butan)	255g/hr per brännare	277g/hr per brännare	255g/hr per brännare	255g/hr per brännare
Brutto nom. värmeeffekt	3.5kw per brännare (3.5kW x 2 = 7kW)	3.8kw per brännare (3.8kW x 2 = 7.6kW)	3.5kw per brännare (3.5kW x 2 = 7kW)	3.5kw per brännare (3.5kW x 2 = 7kW)
Sidobrännare (98700-23)				
Munstycke nummer	0.88			0.75
Nominell användning (Butan)	218g/hr	255g/hr	218g/hr	218g/hr
Brutto nom. värmeeffekt	3.0kW	3.5kW	3.0kW	3.0kW
Gasförsörjningskällor	En godkänd slang och regulator kopplad till en påfyllningsbara gasbehållare högst 9kg och följa lokal lagstiftning i kraft			

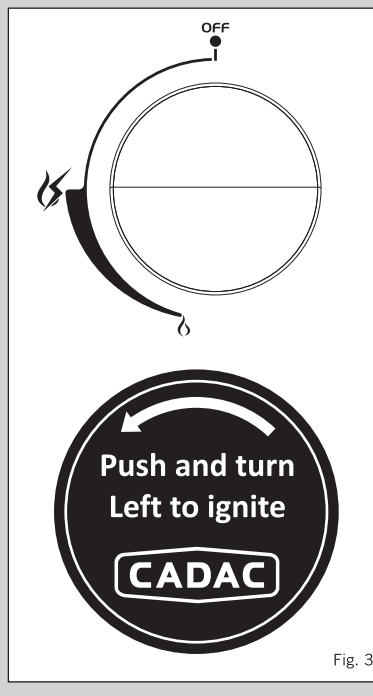
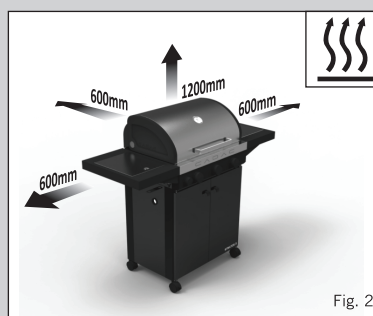
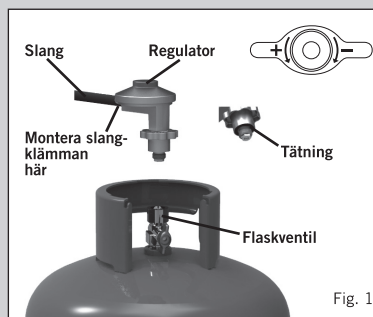
Country Name and Abbreviations				
AE = United Arab Emirates	AL = Albania	AT = Austria	BE = Belgium	CH = Switzerland
CZ = Czech Republic	DE = Germany	DK = Denmark	ES = Spain	FI = Finland
FR = France	GB = United Kingdom	GR = Greece	HR = Croatia	IT = Italy
JP = Japan	KR = Korea	NL = Netherlands	NO = Norway	PL = Poland
PT = Portugal	RO = Romania	RU = Russia	RS = Serbia	SI = Slovenia
SK = Slovakia	SE = Sweden	TR = Turkey		

2. Säkerhetsinformation

- Slangen och regulatorns tätning måste kontrolleras med avseende på slitage eller skada före varje användning och innan du ansluter till gasflaskan (se bild 1).
- Se till att apparaten används åtskilt från brännbara material. Minsta säkerhetsavstånd är 1,2 m ovanför apparaten och 600 mm bakom och på sidorna av apparaten (se bild 2).
- Använd inte en apparat som är skadad, som läcker eller som inte fungerar som den ska.
- Förvara gasflaskor borta från värme och eld. Placera inte på en spis eller någon annan het yta.
- Se till att den monterade enheten är stabil och inte kommer i gungning.
- Täck inte över eller ändra de primära öppningarna för lufttillförsel i brännarna eftersom detta påverkar produktens prestanda och kan leda till en instabil flamma.
- I händelse av bakbrand (där lågan brinner tillbaka och tänds på vid munstycket) ska du omedelbart stänga av gastillförseln genom att först stänga reglerventilen på gasflaskan och sedan apparatens ventil. Efter att lågan slocknar tar du bort regulatorn och kontrollerar skicket på tätningen. Byt ut tätningen vid behov. Tänd apparaten på nytt enligt beskrivning i avsnitt 3 nedan. Om lågan skulle bakbrinna upprepade gånger ska du lämna tillbaka produkten till en auktoriserad CADAC reparationsverkstad.
- Ändra inte apparaten och använd den inte för något som den inte är konstruerad för.
- Under användning kommer en del av apparaten att bli varm, särskilt matlagningsområdet och kåpan. Undvik att vidröra varma delar med händerna. Användning med grytlappar rekommenderas.
- Håll barn borta från apparaten hela tiden.
- Apparaten förbrukar syre och behöver ventilation för optimal prestanda samt för säkerheten för de som befinner sig i närheten. Använd endast utomhus!
- Flytta inte apparaten under användning.
- De delar som förseglats av tillverkaren eller dennes ombud får inte ändras av användaren

OBS

- Vrid eller kläm inte slangen. Se till att den hålls borta från grillen för att förhindra försämring av/skada på slangen orsakade av värme.
- Montera den ena änden av den låga tryckslangen på regulatorns munstycke. Trä den andra änden inifrån kåpan på panelens vänstra sida till Patio BBQ munstycket. Tryck på ändarna så hårt som möjlig och kläm sedan fast dem med slangklämmor i båda ändar av slangen.
- Se till att anslutningar görs ordentligt och låt inte gasen att läcka.
- Kontrollera gasläckor innan du använder apparaten.
- För användning krävs en godkänd slang och regulator kopplad till en påfyllningsbar gasbehållare på högst 11 kg samt att gällande lokala bestämmelser uppfylls.
- Blockera inte ventilationsöppningarna i kåpan.
- Ändra inte apparaten. Det kan vara farligt att ändra apparaten.



3. Underhålla av apparaten

- Placera cylindern inuti kåpan genom baksidan av kåpan i det tilldelade utrymmet.
- Använd endast apparaten på ett plant underlag.
- Före användning ska du se till att droppskålen är på plats.
- Kontrollera att gasflaskan är korrekt monterad på apparaten.
- Se till att cylinderns reglerventil är i öppet läge.
- Obs! Alla brännare är utrustade med en automatisk tändare.
- För att tända apparaten används den automatiska tändaren, se först till att kåpan är i öppet läge. Tryck inåt och vrid reglaget moturs tills fjäderns motstånd känns. Håll reglaget i detta läge 3 till 5 sekunder så att gasen kan flöda och vrid sedan reglaget helt moturs till HÖGT läge. Detta gör att den automatiska tändaren tänder brännaren. Om den inte tänds första gången vrider du reglaget till läget AV och väntar 5 minuter, och upprepar sedan processen tills brännaren tänds.
- Manuell tändning: För att tända brännarna manuellt, ta först bort grillplattan och deflektorplattan direkt under den. Tänd en tändsticka eller tändare och placera den intill den vänstra brännaren. Slå på gastillförseln till brännaren genom att skjuta reglerventilen och vrida den moturs. Då tänds brännaren. När brännaren är tänd sätter du försiktigt tillbaka deflektorplattan och grillplattan av gjutjärn. Nu kan du tända resterande brännare enligt ovan.
- Använd reglagen för att justera den individuella lågans intensitet till önskad nivå genom att vrida den moturs för att minska lågan och medurs för att öka den (se bild 3).
- Efter användning stänger du ventilen på gasflaskan. När lågan slocknar stänger du brännarventilerna på apparaten genom att vrida reglagen helt medurs.

4. Montera och byta gasflaska

- Innan du ansluter apparaten till en gasflaska ska du se till att gummitätningen på regulatorn är på plats och i gott skick
- Utför denna kontroll varje gång du passer apparaten till en gasflaska (se bild 1).
- Blås ut damm från cylinderoppningen för att förhindra eventuell blockering i munstycket.
- Se till att gasflaskan monteras eller byts utomhus, på avstånd från alla antändningskällor såsom öppen eld, och borta från andra människor.
- Se till att gasflaskan hälls upprikt hela tiden. Dra åt regulatorn på cylindern tills den är helt inkopplad.
- Om det finns en läcka på apparaten (gaslukt) slacker du alla antändningskällor i närheten av apparaten. Om du vill leta efter läckor på apparaten använder du tvålvatten som appliceras på det misstänkta området. En bildning av bubblor indikerar en gasläcka. Kontrollera att alla anslutningar sitter monterade och kontrollera på nytt med såpvatten. Om du inte kan åtgärda gasläckan, använd inte apparaten. Kontakta din lokala CADAC återförsäljare för hjälp.
- När du byter en gasflaska stänger du först flaskventilen och därefter apparatens ventil och ser till att lågan slocknar och skruvar loss regulatorn. Sätt tillbaka regulatorn till en full gasflaska enligt samma försiktighetsåtgärder som beskrivs ovan.
- När apparaten är färdigmonterad, utför ett test för gasläcka innan du använder den.

5. Allmänt underhåll

- Det finns inga förutbestämda underhållsintervall för denna apparat.
- Det är farligt att använda en apparat med en sprucken eller söndrig tätning och/eller slang. Inspektera både tätning och slang regelbundet och byt om de inte är i ordning innan du använder apparaten.
- När apparaten är i bruk kommer den att vara varm. Låt svalna tillräckligt innan du försöker genomföra något underhåll.
- CADAC Patio BBQ är utrustad med specifika CADAC munstycken för att reglera korrekt mängd gas. Skulle hålet i munstycket bli blockerat kan det resultera i en liten låga eller ingen låga alls. Försök inte att rengöra munstycket med ett stift eller liknande eftersom det kan skada hålet, vilket kan göra apparaten osäker. Se Inledning (avsnitt 1) för storlekar på munstycken.

5.1. Byta ut blockerat munstycke

- Se till att flaskventilen är stängd och koppla sedan bort apparaten från gasflaskan.
- Ta bort grillplattorna. Ta bort flamtämjare för att exponera brännarna. Ta bort fästskruvarna för den drabbade brännaren.
- Ta bort den drabbade brännaren genom att lyfta ut den ur sitt läge, var noga med att inte skada ventilen när du gör det. Då exponeras munstycket.
- Skruva loss blockerat munstycke med en lämplig nyckel och ersätt det med ett nytt munstycke. Använd inte tång på munstycket eftersom det kan orsaka skada, vilket gör munstycket oanvändbart eller omöjligt att ta bort.
- För att montera på nytt gör du samma procedur som ovan i omvänd ordning. Dra inte åt för hårt eftersom det kan skada munstycket.

5.2. Byta slang

- Slanglängden bör inte vara mindre än 0,8 m eller överstiga 1,2. Kontrollera utgångsdatum på slangen och byt vid behov. Montering av en slang beskrivs i avsnitt 2. Endast en LPG-slang som uppfyller SANS 1156-2, BS 3212 eller DIN4815 kan användas med denna apparat.
- Slangen som används måste uppfylla BS 3212:1991 / SABS 1156-2:2010 eller motsvarande

5. Försättning Allmänt underhåll

5.3. Byta regulator

- I Sydafrika måste regulatorn som används vara 2.8kpa och måste följa SANS 1237.
- Använd 30mBar butan (eller propan) regulator med gas kategori I3B / P (30).
- Använd 30mBar butan regulator med gas kategori I3 + (28-30) för butan.
- 37mBar propan regulator med gas kategori I3 + (37) för propan.
- Använd 50mBar butan (eller propan) regulator med gas kategori I3B / P (50).
- Det är viktigt att kopplingen mellan regulatorns utlopp och lågt tryckslang är tät och att den är säkrad med en metallslangklämma. Kontrollera alltid gasläckor enligt beskrivning i avsnitt 4 ovan

6. Felsökning

- En normal flamma är blå och kan ha en orange eller gul spets. Om lågan är helt gul kan det vara så att munstycket inte är säkert monterat. Dra åt munstycket för att se till ingen gas läcker ut. En överfylld gasflaska kan också orsaka stora gula lågor. Om detta är fallet ska flaskan returneras till fyllningsstationen och kontrolleras efter vikt.
- Kontrollera att primärlufthålerna i brännarna är klar och fri från hinder.
- Om lågan sjunker eller gasen inte tänds, kontrollera att gasflaskan fortfarande innehåller gas (skaka och lyssna efter ljud av vätska).
- Om det fortfarande finns gas kan munstycket vara blockerat eller delvis blockerat.
- Om du misstänker blockerat munstycke, följ instruktionerna ovan för att rengöra eller byta ut den.

7. Rengöring

- För att rengöra enheten torkar du bara med en fuktig trasa med lite diskmedel om det behövs.
- Använd inte slipande rengöringsmedel eller disksvampar eftersom detta kommer att orsaka permanenta skador på den målade ytan.
- Även om rostfritt stål är anmärkningsvärt motståndskraftigt mot fläckar och rost i förhållande till vanligt stål krävs det fortfarande ordentlig vård. Vi rekommenderar följande:
- Efter användning, rengör rostfria ytor med rent vatten och en mjuk trasa för lätt rengöring, medan ett kommersiellt tillgängligt rengöringsmedel för rostfritt stål tillsammans med en mjuk trasa bör användas för tuffare områden. Se till att du tar bort allt överflödigt rengöringsmedel för rostfritt stål efter rengöring av din grill.
- För att ta bort lättare färgning från te eller rostskador kan du använda en lätt, icke-metalliskt svamp. Det är viktigt att du gnuggar med den naturliga delen på den rostfria ytan för att undvika att synliga repor.
- Mellan användningstillfällena är det en bra idé att täcka över grillen för att förhindra damm och luftburna partiklar på de rostfria ytorna.
- Med bara lite vård kommer din investering i rostfritt stål att behålla sin vackra yta och sitt värde under lång tid framöver.

8. Förvaring

- Hantera apparaten varsamt. Tappa den inte.
- Efter användning, vänta tills apparaten har svalnat, koppla bort den från gasflaskan och förvara på en sval, torr plats åtskilt från värme.
- Håll kupan stängd när den inte används för att förhindra att smuts och insekter faller in i enheten, vilket kan påverka gasflödet.
- Använd CADAC BBQ kåpa i synnerhet om enheten förvaras utomhus.
- Före varje användning ska du se till att brännare och injektorer är fria från insekter, damm och spindelväv.

9. Reservdelar och tillbehör

- Använd alltid äkta CADAC reservdelar som de har utformats för att ge optimal prestanda

Beskrivning	Del nr.
Munstycke nr. 0,92 (28mBar) / (2,8kPa - SA endast)	0.92
Munstycke nr. 0,81 (50mBar)	0.81
Munstycke nr 0,88 (sidobrännare) (28mBar) / (2,8kPa - SA endast)	0.88
Munstycke nr. 0,75 (sidobrännare) (50mBar)	0.75
Stratos 3B kåpa	98700-30-CVR
Stratos 4B kåpa	98700-40-CVR
Stratos värmepanna	98700-50
Stratos värdbar grillplatta	98700-51

10. Lämna tillbaka apparaten för reparation eller service

- Ändra inte apparaten. Detta kan göra att apparaten inte är säker.
- Eventuella ändringar kommer att göra CADAC (Pty) Ltd garanti ogiltig.
- Om du inte kan åtgärda eventuella fel genom att följa dessa instruktioner, kontakta din lokala CADAC återförsäljare för inspektion och/eller reparation.

11. Garanti

- CADAC (Pty) Ltd garanterar härmed den ursprungliga köparen av denna CADAC gasolgrill att den kommer att vara fri från defekter i material och utförande från inköpsdatum enligt följande:

Ventiler:	5 år
Plastdelar:	Ingen garanti
Emaljdelar (utom flamtämjare):	5 år
Gjutjärn	5 år
Målade rammar:	1 år
Rostfria brännare:	2 år
Flamtämjare i emalj:	2 år

Garantin gäller endast om enheten monteras och används i enlighet med tryckta anvisningar.

CADAC kan kräva rimligt bevis på inköpsdatumet. DÄRFÖR BÖR DU BEHÅLLA INKÖPSKVITTOT ELLER FAKTURAN. Denna begränsade garanti ska begränsas till reparation eller utbyte av delar som visar sig vara otillräckliga vid normal användning och service, och som

vid undersökning tillfredsställande ska påvisa för CADAC att de är defekta. Innan du returnerar några delar, kontakta kundtjänst i ditt område med hjälp av kontaktinformationen som medföljer handboken eller ring 0860 223 220 (RSA endast). Om CADAC bekräftar felet och godkänner ansökan, kommer CADAC välja att byta ut sådana delar utan kostnad. CADAC returnerar delar till köparen, eller betald frakt.

Denna begränsade garanti täcker inte eventuella fel eller driftsvårigheter genom olycka, missbruk, felaktig användning, ändring, vandalism, felaktig installation eller felaktigt underhåll eller service, eller underlåtenhet att utföra normalt och rutinunderhåll, inklusive men inte begränsat till skador som orsakats av insekter inom brännarrören som anges i denna bruksanvisning.

Försämring eller skada på grund av svåra väderförhållanden som hagel, orkaner, jordbävningar eller tornados, missfärgning på grund av exponering för kemikalier antingen direkt eller i atmosfären, omfattas inte av denna begränsade garanti.

Det finns inga andra uttryckliga garantier förutom vad som anges här och alla tillämpliga underförstådda garantier om säljbarhet och lämplighet är begränsade i varaktighet till den tid av tacksägning av denna skriftligt begränsade garanti. Vissa regioner tillåter inte begränsning av hur länge en underförstådd garanti varar, så denna begränsning kanske inte gäller dig.

CADAC ansvarar inte för några särskilda, indirekta eller följdskador. Vissa regioner tillåter inte undantag eller begränsning av tillfälliga skador eller följdskador, så denna begränsning eller utslutning kanske inte gäller dig.

CADAC inte tillåter någon person eller företag att ta sig an någon skyldighet eller ansvar i samband med försäljning, installation, användning, avlägsnande, retur eller byte av sin utrustning, och inga sådana framställningar är bindande för CADAC.

Denna garanti gäller endast produkter som säljs i detaljhandeln.

För att kunna njuta av och uppleva livslängden på din CADAC produkt hänvisas du till avsnittet om rengöring och underhåll i anvisningarna, med särskild uppmärksamhet på vård av rostfritt stål.



LIVE THE BRAAI LIFE

CADAC INTERNATIONAL

P.O. Box 43196,
Induastria, 2042 South Africa
Tel: +27 11 470 6600
Fax: +27 11 472 9401
Email: info@cadac.co.za
www.cadac.co.za

CADAC CANADA

Hus-tek, 7 Circle Court,
Thornhill Ont, L3T 7M3
Tel: (905) 731-2660
Mobile: (647)298-6789
Email: soren@hus-tek.com

CADAC ZAMBIA

Exclusive Brands Africa
Unit 8 Birkenhead Park
43 Josiah Chinamano Street
Belmont, Bulawayo
Tel/Fax: +263 9 71740
(Bulawayo)
Tel/Fax: +263 4 792564 (Harare)
www.cadac.co.zw

CADAC AUSTRALIA

CADAC-BBQ Pty Ltd, Australia
Tel: +61 420 503 967
Customer Care: 1300 135 011
Fax: +61 755 728 682
Email: info@cadacbbq.com.au
www.cadacbbq.com.au

CADAC MIDDLE EAST

Island View Distributors LLC
Al Reem 1 Street 5 Villa 26
Arabian Ranches, Dubai
P.O. Box 17962 Dubai
Tel: +97 14 431 7153
Fax: +97 14 431 6892
Email: info@ivdxb.com /
judy@ivdxb.com
www.ivdxb.com

CADAC ZIMBABWE

Exclusive Brands Africa
Unit 8 Birkenhead Park
43 Josiah Chinamano Street
Belmont, Bulawayo
Tel/Fax: +263 9 71740
(Bulawayo)
Tel/Fax: +263 4 792564 (Harare)
www.cadac.co.zw

CADAC EUROPE

Ratio 26, 6921 RW Duiven
The Netherlands
Tel: +31 26 319 7740
Fax: +31 26 319 7743
Email: info@cadaceurope.nl
www.cadaceurope.com

CADAC FRANCE

9 Bis Rue du Cot Pilot
92200 Neuilly Sur Seine, France
Tel: +33 603 704 673
Email: info@cadaceurope.nl
www.cadaceurope.com

CADAC SCHWEIZ AG

Industriestrasse 16
6055 Alpnach Dorf
Tel: +41 41 672 90 36
Fax: +41 41 672 90 39
Email: info@cadaceurope.ch
www.cadac.ch

CADAC NEW ZEALAND

Riverlea Group (Pty) Ltd
PO Box 11062, 11 Kells Place,
Hamilton 3251, New Zealand
Tel: +64 7 847 0204
Fax: +64 7 847 0205
Email: sales@riverleagroup.co.nz
http://www.riverleagroup.co.nz

CADAC HONG KONG

Everything Under The Sun
902 Horizon Plaza, 2 Lee Wing
Street,
Ap Lei Chau, HK
Tel :+852 2554 9088
Fax: +852 2818 8595
Email:
craig@everythingunderthesun.
com.hk

CADAC UK

CADAC House Old Colliery Way
Beighton, Sheffield, S20 1DJ, UK
Tel: +44 114 287 2161
Fax: +44 114 287 9879
Email: info@cadacuk.com
www.cadac.uk.com

CADAC IBERICA

Paraje Campillo Alto, 13
28722, El Vellón Madrid
Tel: +34 91 841 3474
Fax: +34 91 841 3533
Email: info@cadac-iberica.eu

CADAC ITALY

BRUNNER SRL/GMBH
Via B.Buozzi 8 /
B.Buozzi Strasse 8
I - 39100 Bolzano / Bozen
Tel: 0471/542931
Fax: 0471/542905
www.brunnerinternational.com

CADAC SCANDINAVIA

CIBA A/S
Industrivej 11
DK - 6640 Lunderskov
Tel: +45 76 31 44 45
Mobile: +45 29 47 44 40
Fax: +45 7558 6899
Email: LN@cibas.dk

CADAC CZECH

RÖSLER Praha spol. s r.o.
Výhradní zastoupení
pro ČR a SR
Elišky Junkové 1394/8, 102 00
Praha 10, Česká republika
Tel.: +420 267 188 011
Fax.: +420 272 651 046
E-mail: obchod@rosler.cz
www.rosler.cz

CADAC MOZAMBIQUE

Exclusive Brands Africa
492 Avenida Namaacha
Maputo, Mozambique
Tel: +258 21 406254
www.cadac.co.mz

CADAC SOUTH EAST EUROPE

Budimska 3
11 000 Belgrade Serbia
Tel: +381 11 339 2700
Email: office@cadac.rs
www.cadac.rs

CADAC KOREA

BITS Leisure Co. Ltd.
Seoul Korea
Tel: +82-2-6933-7800
Fax: +82-2-6933-7801
Mobile: +82-10-9407-2211
Email: cadackorea@naver.com
www.cadackorea.com

CADAC GERMANY

Am Großmarkt 2
67133 Maxdorf
Tel.: +49 6237 4182925
Fax: +49 6237 4182927
Email: office@cadaceurope.de
www.cadaceurope.com

CADAC USA

Advanced Outdoor Concepts
A 3840 West Hillsboro Blvd,
Suite 154
Deerfield Beach, Florida, 33442
Email:
tony@advancedoutdoorconcepts.com
Tel: (800) 593-8244
Fax: (954) 429-1428
www.AdvancedOutdoorConcepts.com

