

# JKD5000DN/EN/SN

## GE® 27" Built-In Double Electric Convection Wall Oven

### DIMENSIONS AND INSTALLATION INFORMATION

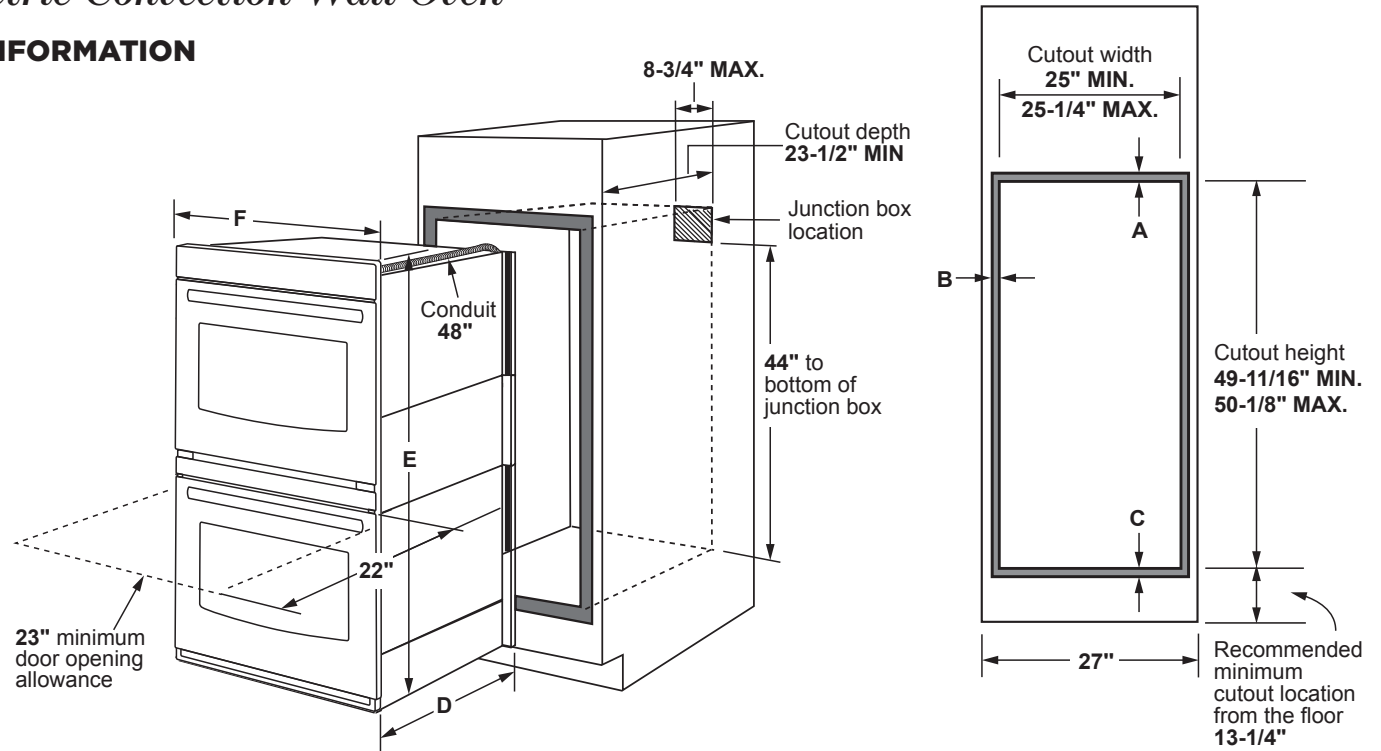
**NOTE:** Wall coverings, countertops and cabinets surrounding the wall oven must be able to withstand a temperature of up to 200°F (94°C).

**NOTE:** If the cabinet in which the wall oven is installed does not have a solid bottom, two braces or runners must be installed to support the weight of the oven. The runners and braces must support up to 400 lbs (181 kg).

**NOTE:** Door handle protrudes 3" from door face. Cabinets and drawers on adjacent 45° and 90° walls should be placed to avoid interference with the handle.

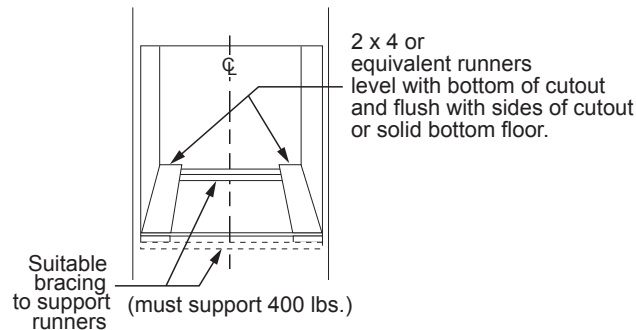
**ATTENTION INSTALLER:** Electric wall ovens are NOT approved for installation with a plug and receptacle. They must be hard wired into an approved junction box.

**IMPORTANT:** Before installing, consult installation instructions packed with product for current dimensional data.



Dimension and installation information are shown in inches.

| KW RATING    |         |
|--------------|---------|
| 240V         | 8.4     |
| 208V         | 6.3     |
| BREAKER SIZE |         |
| 240V         | 40 Amps |
| 208V         | 40 Amps |



### JKD5000

|  |                |
|--|----------------|
| <b>Cabinet</b>                                   | <b>27"</b>     |
| A - Overlap of oven at top of cutout             | <b>1"</b>      |
| B - Overlap of oven other side of edge of cutout | <b>1"</b>      |
| C - Overlap of oven at bottom of cutout          | <b>1"</b>      |
| <b>Oven</b>                                      |                |
| D - Install depth                                | <b>23-1/2"</b> |
| E - Overall height with trim                     | <b>51-1/8"</b> |
| F - Overall width                                | <b>26-3/4"</b> |



For answers to your GE Profile™ Series or GE Appliances product questions, visit our website at [geappliances.com](http://geappliances.com) or call GE Answer Center® Service, 800.626.2000.



Listed by Underwriters Laboratories



# JKD5000DN/EN/SN

## GE® 27" Built-In Double Electric Convection Wall Oven

### FEATURES AND BENEFITS

True European Convection – Achieve faster and more even results with a convection fan and third heating element that circulates air for more efficient cooking

Hidden backlit LCD control – Easily read and operate a bright display that shows the clock when not in use and illuminates controls when you're ready to cook

Never scrub, heavy-duty smooth glide racks – Easily remove even the heaviest dishes with a roller rack that's engineered to glide seamlessly out of the oven

Precision temperature probe – Internal probe allows monitoring of roasts and meats to assure they are thoroughly and accurately cooked without opening the oven door

Never scrub, heavy-duty racks – Say goodbye to scrubbing thanks to never scrub heavy-duty racks, engineered to withstand a self clean cycle

Self-Clean with optional Steam Clean – Cleaning the oven interior has never been easier, with two cleaning options to fit your lifestyle

Anywhere control with remote notifications – Save time by conveniently preheating and monitoring your oven from anywhere using the GE Appliances Kitchen app

Scan-to-cook – Prepare your favorite packaged foods to perfection simply by scanning the barcode on the package with your smartphone and letting your oven adjust settings automatically

10-pass hidden bake element – Even baking and quick cleanup are assured, with 10-pass element that heats a large cooking area and is hidden for an easy-to-wipe surface

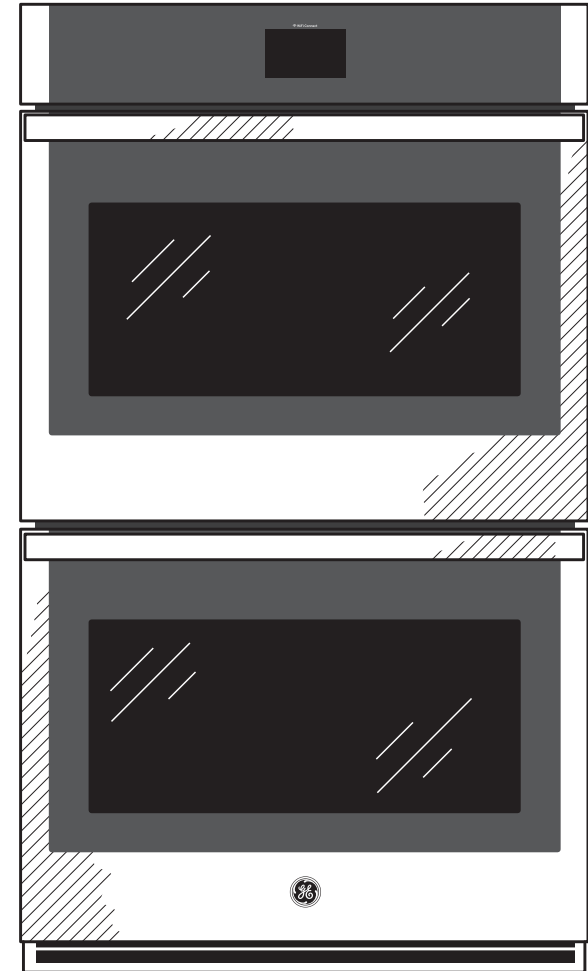
8-pass broil element – Get full broil coverage and even browning from edge to edge

Model JKD5000DNBB – Black

Model JKD5000DNWW – White

Model JKD5000SNSS – Stainless steel

Model JKD5000ENES – Slate



### FIT GUARANTEE

Replacing a similar wall oven from GE Appliances or another brand? GE wall ovens are guaranteed for an exact fit or GE Appliances will pay up to \$300 toward modifications.

Visit [geappliances.com](http://geappliances.com) for more info

