



OPERATOR'S MANUAL

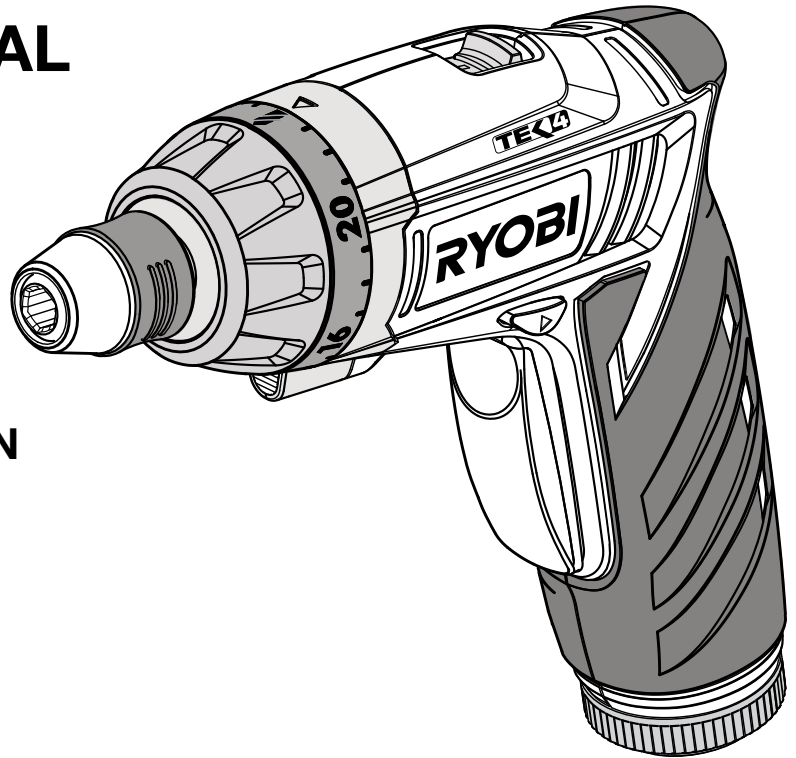
MANUEL D'UTILISATION
MANUAL DEL OPERADOR

Tek4® LITHIUM-ION
SCREWDRIVER
REVERSIBLE

TOURNEVIS Tek4® LITHIUM-ION
RÉVERSIBLE

DESTORNILLADOR DE Tek4®
DE IONES DE LITIO
INVERTIBLE

HP53L



Your screwdriver has been engineered and manufactured to our high standard for dependability, ease of operation, and operator safety. When properly cared for, it will give you years of rugged, trouble-free performance.

WARNING: To reduce the risk of injury, the user must read and understand the operator's manual before using this product.

Thank you for your purchase.

SAVE THIS MANUAL FOR FUTURE REFERENCE

Cette tournevis a été conçue et fabriquée conformément à nos strictes normes de fiabilité, simplicité d'emploi et sécurité d'utilisation. Correctement entretenue, elle vous donnera des années de fonctionnement robuste et sans problème.

AVERTISSEMENT : Pour réduire les risques de blessures, l'utilisateur doit lire et veiller à bien comprendre le manuel d'utilisation avant d'employer ce produit.

Merci de votre achat.

**CONSERVER CE MANUEL POUR
FUTURE RÉFÉRENCE**

Su destornillador ha sido diseñada y fabricado de conformidad con nuestras estrictas normas para brindar fiabilidad, facilidad de uso y seguridad para el operador. Con el debido cuidado, le brindará muchos años de sólido y eficiente funcionamiento.

ADVERTENCIA: Para reducir el riesgo de lesiones, el usuario debe leer y comprender el manual del operador antes de usar este producto.

Le agradecemos su compra.

**GUARDE ESTE MANUAL PARA
FUTURAS CONSULTAS**

TABLE OF CONTENTS

■ Introduction	2
■ Warranty	2
■ General Power Tool Safety Warnings	3-4
■ Screwdriver Safety Warnings	4
■ Symbols.....	5
■ Features.....	6
■ Assembly	6
■ Operation.....	7-8
■ Maintenance.....	8
■ Figure Numbers (Illustrations).....	9
■ Parts Ordering / Service	Back Page

INTRODUCTION

This product has many features for making its use more pleasant and enjoyable. Safety, performance, and dependability have been given top priority in the design of this product making it easy to maintain and operate.

WARRANTY

LIMITED TWO YEAR WARRANTY AND 30 DAY EXCHANGE POLICY

30-DAY EXCHANGE POLICY: During the first 30 days after date of purchasing this product, you may either request service under this warranty or you may exchange it by returning it with proof of purchase and all original equipment packaged with the original product to the dealer from which it was purchased. The replacement product will be covered by the limited warranty for the balance of the two year period from the date of the original purchase.

LIMITED TWO YEAR WARRANTY. This product is warranted against all defects in workmanship or materials for a period of two years from the date of purchase. The warranty on any accessories for this product, excluding batteries, is limited to 90 days from the date the accessory is purchased. To obtain warranty service, call Customer Service at 1-800-525-2579 for warranty return instructions. The product must be properly packaged and returned with all equipment that was included with the original product. When you request warranty service, you must also present proof of purchase documentation, which includes the date of purchase (for example, a receipt or a bill of sale). Defective products returned within the warranty period will be repaired or replaced, at our option, free of charge, within ninety (90) days or less. The cost of shipping the product to us is your responsibility. This warranty only covers defects arising under normal usage and does not cover any malfunction, failure or defects resulting from misuse, abuse, neglect, alteration, modification or unauthorized repairs. It applies only to the original purchaser at retail, and may not be transferred. One World Technologies, Inc. makes no warranties, representations or promises as to the quality or performance of this product other than those specifically stated in this warranty. Any implied warranties granted under state law, including warranties of merchantability or fitness for a particular purpose, are limited to two years from the date of purchase. One World Technologies, Inc. is not responsible for direct, indirect, or incidental damages. Some states do not allow limitations on how long an implied warranty lasts, or the exclusion or limitation of incidental or consequential damages, so the above limitations and exclusions may not apply to you. This warranty gives you specific legal rights, and you may also have other rights which vary from state to state.

GENERAL POWER TOOL SAFETY WARNINGS



WARNING

Read all safety warnings and instructions. Failure to follow the warnings and instructions may result in electric shock, fire and/or serious injury.

Save all warnings and instructions for future reference. The term “power tool” in the warnings refers to your mains-operated (corded) power tool or battery-operated (cordless) power tool.

WORK AREA SAFETY

- **Keep work area clean and well lit.** Cluttered or dark areas invite accidents.
- **Do not operate power tools in explosive atmospheres, such as in the presence of flammable liquids, gases or dust.** Power tools create sparks which may ignite the dust or fumes.
- **Keep children and bystanders away while operating a power tool.** Distractions can cause you to lose control.

ELECTRICAL SAFETY

- **Power tool plugs must match the outlet. Never modify the plug in any way. Do not use any adapter plugs with earthed (grounded) power tools.** Unmodified plugs and matching outlets will reduce risk of electric shock.
- **Avoid body contact with earthed or grounded surfaces such as pipes, radiators, ranges and refrigerators.** There is an increased risk of electric shock if your body is earthed or grounded.
- **Do not expose power tools to rain or wet conditions.** Water entering a power tool will increase the risk of electric shock.
- **Do not abuse the cord. Never use the cord for carrying, pulling or unplugging the power tool. Keep cord away from heat, oil, sharp edges or moving parts.** Damaged or entangled cords increase the risk of electric shock.
- **When operating a power tool outdoors, use an extension cord suitable for outdoor use.** Use of a cord suitable for outdoor use reduces the risk of electric shock.
- **If operating a power tool in a damp location is unavoidable, use a ground fault circuit interrupter (GFCI) protected supply.** Use of a GFCI reduces the risk of electric shock.
- **Use battery only with charger listed.**

MODEL	BATTERY PACK	CHARGER
HP53L	AP4001	AP4700, AP4500, AP4800

PERSONAL SAFETY

- **Stay alert, watch what you are doing and use common sense when operating a power tool. Do not use a power tool while you are tired or under the influence of drugs, alcohol or medication.** A moment of inattention while operating power tools may result in serious personal injury.

- **Use personal protective equipment. Always wear eye protection.** Protective equipment such as dust mask, non-skid safety shoes, hard hat, or hearing protection used for appropriate conditions will reduce personal injuries.
- **Prevent unintentional starting. Ensure the switch is in the off-position before connecting to power source and/or battery pack, picking up or carrying the tool.** Carrying power tools with your finger on the switch or energising power tools that have the switch on invites accidents.
- **Remove any adjusting key or wrench before turning the power tool on.** A wrench or a key left attached to a rotating part of the power tool may result in personal injury.
- **Do not overreach. Keep proper footing and balance at all times.** This enables better control of the power tool in unexpected situations.
- **Dress properly. Do not wear loose clothing or jewellery. Keep your hair, clothing and gloves away from moving parts.** Loose clothes, jewellery or long hair can be caught in moving parts.
- **If devices are provided for the connection of dust extraction and collection facilities, ensure these are connected and properly used.** Use of dust collection can reduce dust-related hazards.
- **Do not wear loose clothing or jewelry. Contain long hair.** Loose clothes, jewelry, or long hair can be drawn into air vents.
- **Do not use on a ladder or unstable support.** Stable footing on a solid surface enables better control of the power tool in unexpected situations.

POWER TOOL USE AND CARE

- **Do not force the power tool. Use the correct power tool for your application.** The correct power tool will do the job better and safer at the rate for which it was designed.
- **Do not use the power tool if the switch does not turn it on and off.** Any power tool that cannot be controlled with the switch is dangerous and must be repaired.
- **Disconnect the plug from the power source and/or the battery pack from the power tool before making any adjustments, changing accessories, or storing power tools.** Such preventive safety measures reduce the risk of starting the power tool accidentally.
- **Store idle power tools out of the reach of children and do not allow persons unfamiliar with the power tool or these instructions to operate the power tool.** Power tools are dangerous in the hands of untrained users.
- **Maintain power tools. Check for misalignment or binding of moving parts, breakage of parts and any other condition that may affect the power tool's operation. If damaged, have the power tool repaired before use.** Many accidents are caused by poorly maintained power tools.

GENERAL POWER TOOL SAFETY WARNINGS

- **Keep cutting tools sharp and clean.** Properly maintained cutting tools with sharp cutting edges are less likely to bind and are easier to control.
- **Use the power tool, accessories and tool bits etc., in accordance with these instructions, taking into account the working conditions and the work to be performed.** Use of the power tool for operations different from those intended could result in a hazardous situation.

BATTERY TOOL USE AND CARE

- **Recharge only with the charger specified by the manufacturer.** A charger that is suitable for one type of battery pack may create a risk of fire when used with another battery pack.
- **Use power tools only with specifically designated battery packs.** Use of any other battery packs may create a risk of injury and fire.
- **When battery pack is not in use, keep it away from other metal objects, like paper clips, coins, keys, nails,**

screws or other small metal objects, that can make a connection from one terminal to another. Shorting the battery terminals together may cause burns or a fire.

- **Under abusive conditions, liquid may be ejected from the battery; avoid contact. If contact accidentally occurs, flush with water. If liquid contacts eyes, additionally seek medical help.** Liquid ejected from the battery may cause irritation or burns.

SERVICE

- **Have your power tool serviced by a qualified repair person using only identical replacement parts.** This will ensure that the safety of the power tool is maintained.
- **When servicing a power tool, use only identical replacement parts. Follow instructions in the Maintenance section of this manual.** Use of unauthorized parts or failure to follow Maintenance instructions may create a risk of shock or injury.




SCREWDRIVER SAFETY WARNINGS

- **Hold power tool by insulated gripping surfaces, when performing an operation where the fastener may contact hidden wiring.** Fasteners contacting a “live” wire may make exposed metal parts of the power tool “live” and could give the operator an electric shock.
- **Use clamps or another practical way to secure and support the workpiece to a stable platform.** Holding the work by hand or against your body leaves it unstable and may lead to loss of control.
- **Know your power tool. Read operator’s manual carefully. Learn its applications and limitations, as well as the specific potential hazards related to this power tool.** Following this rule will reduce the risk of electric shock, fire, or serious injury.
- **Always wear eye protection with side shields marked to comply with ANSI Z87.1.** Following this rule will reduce the risk of serious personal injury.
- **Protect your lungs. Wear a face or dust mask if the operation is dusty.** Following this rule will reduce the risk of serious personal injury.
- **Protect your hearing. Wear hearing protection during extended periods of operation.** Following this rule will reduce the risk of serious personal injury.
- **Battery tools do not have to be plugged into an electrical outlet; therefore, they are always in operating condition. Be aware of possible hazards when not using your battery tool or when changing accessories.** Following this rule will reduce the risk of electric shock, fire, or serious personal injury.







- **Do not place battery tools or their batteries near fire or heat.** This will reduce the risk of explosion and possibly injury.
- **Do not crush, drop or damage battery pack. Do not use a battery pack or charger that has been dropped or received a sharp blow.** A damaged battery is subject to explosion. Properly dispose of a dropped or damaged battery immediately.
- **Batteries can explode in the presence of a source of ignition, such as a pilot light.** To reduce the risk of serious personal injury, never use any cordless product in the presence of open flame. An exploded battery can propel debris and chemicals. If exposed, flush with water immediately.
- **Do not charge battery tool in a damp or wet location.** Following this rule will reduce the risk of electric shock.
- **For best results, your battery tool should be charged in a location where the temperature is more than 50°F but less than 94°F.** To reduce the risk of serious personal injury, do not store outside or in vehicles.
- **Under extreme usage or temperature conditions, battery leakage may occur. If liquid comes in contact with your skin, wash immediately with soap and water. If liquid gets into your eyes, flush them with clean water for at least 10 minutes, then seek immediate medical attention.** Following this rule will reduce the risk of serious personal injury.
- **Save these instructions.** Refer to them frequently and use them to instruct others who may use this tool. If you loan someone this tool, loan them these instructions also.

SYMBOLS

The following signal words and meanings are intended to explain the levels of risk associated with this product.

SYMBOL	SIGNAL	MEANING
	DANGER:	Indicates an imminently hazardous situation, which, if not avoided, will result in death or serious injury.
	WARNING:	Indicates a potentially hazardous situation, which, if not avoided, could result in death or serious injury.
	CAUTION:	Indicates a potentially hazardous situation, which, if not avoided, may result in minor or moderate injury.
	CAUTION:	(Without Safety Alert Symbol) Indicates a situation that may result in property damage.

Some of the following symbols may be used on this product. Please study them and learn their meaning. Proper interpretation of these symbols will allow you to operate the product better and safer.

SYMBOL	NAME	DESIGNATION/EXPLANATION
	Safety Alert	Indicates a potential personal injury hazard.
	Read Operator's Manual	To reduce the risk of injury, user must read and understand operator's manual before using this product.
	Eye Protection	Always wear eye protection with side shields marked to comply with ANSI Z87.1
	Wet Conditions Alert	Do not expose to rain or use in damp locations.
	Recycle Symbols	This product uses lithium-ion (Li-ion) batteries. Local, state or federal laws may prohibit disposal of batteries in ordinary trash. Consult your local waste authority for information regarding available recycling and/or disposal options.
V	Volts	Voltage
Hz	Hertz	Frequency (cycles per second)
W	Watt	Power
min	Minutes	Time
	Direct Current	Type or a characteristic of current
n_0	No Load Speed	Rotational speed, at no load
.../min	Per Minute	Revolutions, strokes, surface speed, orbits etc., per minute

WARNING:

Some dust created by power sanding, sawing, grinding, drilling, and other construction activities contains chemicals known to cause cancer, birth defects or other reproductive harm. Some examples of these chemicals are:

- lead from lead-based paints,
- crystalline silica from bricks and cement and other masonry products, and
- arsenic and chromium from chemically-treated lumber.

Your risk from these exposures varies, depending on how often you do this type of work. To reduce your exposure to these chemicals: work in a well ventilated area, and work with approved safety equipment, such as those dust masks that are specially designed to filter out microscopic particles.

FEATURES

PRODUCT SPECIFICATIONS

Motor 4 V DC
Switch On-Off/Reversible
No Load Speed 200/600 r/min. (RPM)

Clutch 24 Positions
Torque 40 in. lb.
Collet SPEEDLOAD +™ SYSTEM

KNOW YOUR SCREWDRIVER

See Figure 1, page 9.

The safe use of this product requires an understanding of the information on the tool and in this operator's manual as well as a knowledge of the project you are attempting. Before use of this product, familiarize yourself with all operating features and safety rules.

DIRECTION OF ROTATION SELECTOR (FORWARD/REVERSE/CENTER LOCK)

Your screwdriver has a direction of rotation (forward/reverse/center lock) selector located above the switch trigger for changing the direction of bit rotation. Setting the direction of rotation selector in the **OFF** (center lock) position helps reduce the possibility of accidental starting when not in use.

LED WORKLIGHT

The screwdriver has a built-in LED worklight that illuminates when the switch trigger is depressed. This feature is convenient when working in close or tight areas where additional light is needed.

SPEEDLOAD +™ SYSTEM

Your screwdriver has the SPEEDLOAD +™ SYSTEM, the fastest and most convenient way to change any 1/4 in. hex shank bits.

TORQUE ADJUSTMENT RING

Your screwdriver has a 24-position clutch. The torque adjustment ring can be turned to select the right amount of torque for the application.

TWO-SPEED GEAR TRAIN

The two-speed gear train is designed for drilling or driving at low (**Position 1**) or high (**Position 2**) speeds. A slide switch is located on top of your screwdriver for selecting the speed setting.

ASSEMBLY

UNPACKING

This product has been shipped completely assembled.

- Carefully remove the product and any accessories from the box. Make sure that all items listed in the packing list are included.

WARNING:

Do not use this product if it is not completely assembled or if any parts appear to be missing or damaged. Use of a product that is not properly and completely assembled could result in serious personal injury.

- Inspect the product carefully to make sure no breakage or damage occurred during shipping.
- Do not discard the packing material until you have carefully inspected and satisfactorily operated the product.
- If any parts are damaged or missing, please call 1-800-525-2579 for assistance.

PACKING LIST

4V Screwdriver
Bit Set
Operator's Manual

WARNING:

If any parts are damaged or missing do not operate this product until the parts are replaced. Use of this product with damaged or missing parts could result in serious personal injury.

WARNING:

Do not attempt to modify this product or create accessories not recommended for use with this product. Any such alteration or modification is misuse and could result in a hazardous condition leading to possible serious personal injury.

WARNING:

To prevent accidental starting that could cause serious personal injury, always remove the battery pack from the product when assembling parts.

OPERATION

WARNING:

Do not allow familiarity with products to make you careless. Remember that a careless fraction of a second is sufficient to inflict serious injury.

WARNING:

Always wear eye protection with side shields marked to comply with ANSI Z87.1. Failure to do so could result in objects being thrown into your eyes resulting in possible serious injury.

WARNING:

Do not use any attachments or accessories not recommended by the manufacturer of this product. The use of attachments or accessories not recommended can result in serious personal injury.

APPLICATIONS

You may use this product for the purposes listed below:

- Driving screws with screwdriver bits
- Light-duty drilling

WARNING:

Battery products are always in operating condition. Therefore, the switch should always be locked when not in use or carrying at your side.

BATTERY PROTECTION FEATURES

Ryobi lithium-ion batteries are designed with features that protect the lithium-ion cells and maximize battery life.

If the tool stops during use, release the trigger to reset and resume operation. If the tool still does not work, the battery needs to be recharged.

TO INSTALL / REMOVE BATTERY PACK

See Figure 2, page 9.

WARNING:

Always remove battery pack from the product when you are assembling parts, making adjustments, cleaning, or when not in use. Removing battery pack will prevent accidental starting that could cause serious personal injury.

To install the battery pack:

- Unscrew the battery cap.
- Insert the battery pack in the direction shown. Make sure the raised rib on the battery pack aligns with the groove in the compartment.

- Place the cap over the battery pack and push down until the cap meets the threads at the end of the battery compartment.

- Screw the cap on securely.

To remove the battery pack:

- Unscrew the cap. The battery pack will disconnect and be easy to remove.
- Do not attempt to use this product if the battery cap is not securely closed.

DIRECTION OF ROTATION SELECTOR (FORWARD/REVERSE/CENTER LOCK)

See Figure 3, page 9.

The direction of bit rotation is reversible and is controlled by a selector located above the switch trigger. With the screwdriver held in normal operating position, the direction of rotation selector should be positioned to the left of the switch trigger for forward motion. The direction is reversed when the selector is to the right of the switch trigger.

Setting the direction of rotation selector in the **OFF** (center lock) position helps reduce the possibility of accidental starting when not in use.

CAUTION:

To prevent gear damage, always allow the collet to come to a complete stop before changing the direction of rotation.

To stop the screwdriver, release the switch trigger and allow the collet to come to a complete stop.

NOTE: The screwdriver will not run unless the direction of rotation selector is pushed fully to the left or right.

TWO-SPEED GEAR TRAIN

See Figure 4, page 9.

The screwdriver has a two-speed gear train designed for low (**Position 1**) or high (**Position 2**) speeds. A slide switch is located on top of the screwdriver to select the speed setting. When using screwdriver in the low speed range (**Position 1**), speed will decrease and unit will have more power and torque. When using screwdriver in the high speed range (**Position 2**), speed will increase and unit will have less power and torque. When drilling use 1/4 in. hex shank drill bits only. Maximum drill size is 1/4 in.

Use the high speed setting to drill holes, and use the low speed setting for driving screws.

TO LOAD/RELEASE BITS

See Figure 5, page 9.

The SPEEDLOAD +™ SYSTEM on the screwdriver is a quick change chuck designed to accept any 1/4 in. hex bits. Insert the bit into the chuck and push as far as possible until the chuck locks onto the bit. To remove a bit, push rubber collar forward, and then pull the bit straight out of the chuck.

OPERATION

ADJUSTABLE TORQUE CLUTCH

This screwdriver is equipped with an adjustable torque clutch for driving different types of screws into different materials. The proper setting depends on the type of material and the size of screw you are using.

ADJUSTING TORQUE

See Figure 6, page 9.

There are twenty-four torque indicator settings located on the front of the screwdriver.

- Select the gear train setting to high (**Position 2**) or low (**Position 1**) speed.
- Rotate the adjusting ring to the desired setting.
 - 1 - 4 For driving small screws (**Position 1** or **2**)
 - 5 - 8 For driving screws into soft material (**low speed - Position 1**)
 - 9 - 12 For driving screws into soft and hard materials (**low speed - Position 1**)

- 13 - 16 For driving screws into hard wood (**low speed - Position 1**)
- 17 - 24 For driving large screws (**low speed - Position 1**)

NOTE: During use, if the screwdriver stalls and begins to make a clicking sound, and the LED worklight pulses on and off, you should release the switch trigger immediately. This indicates that you have overloaded the tool. Depress the switch trigger again to resume operation.

To avoid this situation, avoid forcing the tool and refer to the settings described above to be sure you are using the screwdriver for its intended application.

LED WORKLIGHT

See Figure 7, page 9.

The screwdriver has a built-in LED worklight. This feature is convenient when working in close or tight areas where additional light is needed. Whenever the switch trigger is depressed, the LED worklight will illuminate.

MAINTENANCE

WARNING:

When servicing, use only identical replacement parts. Use of any other parts may create a hazard or cause product damage.

WARNING:

Always wear eye protection with side shields marked to comply with ANSI Z87.1 during maintenance. If operation is dusty, also wear a dust mask.

GENERAL MAINTENANCE

Avoid using solvents when cleaning plastic parts. Most plastics are susceptible to damage from various types of commercial solvents and may be damaged by their use. Use clean cloths to remove dirt, dust, oil, grease, etc.

WARNING:

Do not at any time let brake fluids, gasoline, petroleum-based products, penetrating oils, etc., come in contact with plastic parts. Chemicals can damage, weaken or destroy plastic which may result in serious personal injury.

STORAGE

Before storing, always remove the battery pack from the battery compartment.

BATTERY PACK PREPARATION FOR RECYCLING

WARNING:

Upon removal, cover the battery pack's terminals with heavy-duty adhesive tape. Do not attempt to destroy or disassemble battery pack or remove any of its components. Lithium-ion batteries must be recycled or disposed of properly. Also, never touch both terminals with metal objects and/or body parts as short circuit may result. Keep away from children. Failure to comply with these warnings could result in fire and/or serious injury.

**NOTE: FIGURES
(ILLUSTRATIONS) START ON
PAGE 9 AFTER FRENCH AND
SPANISH LANGUAGE SECTIONS.**

TABLE DES MATIÈRES

■ Introduction	2
■ Garantie	2
■ Règles de sécurité relatives aux outils électriques.....	3 - 4
■ Avertissements de sécurité relatifs perceuse/tournevis	4
■ Symboles.....	5
■ Caractéristiques	6
■ Assemblage.....	6
■ Utilisation.....	7-8
■ Entretien	8
■ Figure numéros (illustrations).....	9
■ Commande de pièces / réparation.....	Pág. arrière

INTRODUCTION

Cet produit offre de nombreuses fonctions destinées à rendre son utilisation plus plaisante et satisfaisante. Lors de la conception de ce produit, l'accent a été mis sur la sécurité, les performances et la fiabilité, afin d'en faire un outil facile à utiliser et à entretenir.

GARANTIE

GARANTIE LIMITÉE DE DEUX ANS ET POLITIQUE D'ÉCHANGE DE TRENTE (30) JOURS

POLITIQUE D'ÉCHANGE DE TRENTE (30) JOURS : Pendant les 30 premiers jours suivant la date d'achat, l'utilisateur peut demander un entretien sous garantie ou échanger le produit en le retournant, accompagné d'une preuve d'achat ainsi que de tout l'équipement d'origine emballé avec le produit d'origine, au détaillant chez qui l'achat a été effectué. Le produit de remplacement sera couvert par cette garantie limitée pendant le reste des deux ans suivant la date d'achat de l'outil original.

GARANTIE LIMITÉE DE DEUX ANS. Ce produit est garanti contre tout vice de fabrication ou de matériel, pour une période de deux (2) ans à compter de la date d'achat. La garantie couvrant les accessoires de ce produit, à l'exception des piles, est limitée à 90 jours à compter de la date d'achat de l'accessoire. Pour bénéficier d'un entretien sous garantie, communiquer avec le service à la clientèle au 1-800-525-2579 pour connaître les instructions de retour sous garantie. Le produit doit être emballé adéquatement et retourné avec tout l'équipement qui était inclus avec le produit d'origine. Lorsque l'utilisateur demande un entretien sous garantie, il doit également présenter une preuve d'achat qui comprend la date d'achat (par exemple, un reçu ou un acte de vente). Les produits défectueux retournés pendant la période de la garantie seront réparés ou remplacés, à notre discrétion, sans frais, dans un délai de quatre-vingt-dix (90) jours ou moins. L'utilisateur doit assumer les coûts liés à l'expédition du produit. La présente garantie couvre uniquement les défauts survenus lors d'une utilisation normale. Elle ne couvre pas les défauts de fonctionnement, les pannes ou les défauts attribuables à une mauvaise utilisation, à un usage abusif, à la négligence, à une modification ou à des réparations non autorisées. Cette garantie s'applique uniquement à l'acheteur d'origine au détail et ne peut être transférée. One World Technologies Inc. ne donne aucune garantie et ne fait aucune représentation ou promesse relativement à la qualité ou au rendement de ce produit autres que celles mentionnées spécifiquement dans la présente garantie. Toutes les garanties implicites permises par la loi, y compris les garanties de valeur marchande ou d'adéquation à un usage particulier, sont limitées à deux ans à compter de la date d'achat. One World Technologies Inc. n'est pas responsable des dommages directs, indirects ou consécutifs. Certains états et certaines provinces ne permettent pas d'exonération ou de réserve pour la couverture des dommages directs ou consécutifs et pour la durée de toute garantie implicite; il se peut donc que l'exonération décrite précédemment ne puisse s'appliquer. La présente garantie donne au consommateur des droits spécifiques, et il peut bénéficier d'autres droits qui varient selon les états ou les provinces.

RÈGLES DE SÉCURITÉ RELATIVES AUX OUTILS ÉLECTRIQUES



AVERTISSEMENT

Lire tous les avertissements et toutes les instructions.

Ne pas suivre l'ensemble des avertissements et des instructions peut entraîner une électrocution, un incendie ou des blessures graves.

Conservier les avertissements et les instructions à des fins de référence ultérieure. Le terme « outil motorisé », utilisé dans tous les avertissements ci-dessous désigne tout outil fonctionnant sur secteur (câblé) ou sur piles (sans fil).

SÉCURITÉ DU LIEU DE TRAVAIL

- **Garder le lieu de travail propre et bien éclairé.** Les endroits encombrés ou sombres sont propices aux accidents.
- **Ne pas utiliser d'outils électriques dans des atmosphères explosives, par exemple en présence de liquides, gaz ou poussières inflammables.** Les outils électriques produisent des étincelles risquant d'enflammer les poussières ou vapeurs.
- **Garder les enfants et badauds à l'écart pendant l'utilisation d'un outil électrique.** Les distractions peuvent causer une perte de contrôle.

SÉCURITÉ ÉLECTRIQUE

- **Les fiches des outils électriques doivent correspondre à la prise secteur utilisée. Ne jamais modifier la fiche, de quelque façon que ce soit. Ne jamais utiliser d'adaptateurs de fiche avec des outils mis à la terre.** Les fiches et prises non modifiées réduisent le risque de choc électrique.
- **Éviter tout contact du corps avec des surfaces mises à la terre, telles que tuyaux, radiateurs, cuisinières et réfrigérateurs.** Le risque de choc électrique est accru lorsque le corps est mis à la terre.
- **Ne pas exposer les outils électriques à l'eau ou l'humidité.** La pénétration d'eau dans ces outils accroît le risque de choc électrique.
- **Ne pas maltraiter le cordon d'alimentation. Ne jamais utiliser le cordon d'alimentation pour transporter l'outil et ne jamais débrancher ce dernier en tirant sur le cordon. Garder le cordon à l'écart de la chaleur, de l'huile, des objets tranchants et des pièces en mouvement.** Un cordon endommagé ou emmêlé accroît le risque de choc électrique.
- **Pour les travaux à l'extérieur, utiliser un cordon spécialement conçu à cet effet.** Utiliser un cordon conçu pour l'usage extérieur pour réduire les risques de choc électrique.
- **S'il est nécessaire d'utiliser l'outil électrique dans un endroit humide, employer un dispositif interrupteur de défaut à la terre (GFCI).** L'utilisation d'un GFCI réduit le risque de décharge électrique.
- **Ne recharger les batteries qu'avec l'appareil indiqué.**

MODÈLE	PILE	CHARGEUR
HP53L	AP4001	AP4700, AP4500, AP4800

SÉCURITÉ PERSONNELLE

- **Rester attentif, prêter attention au travail et faire preuve de bon sens lors de l'utilisation de tout outil électrique. Ne pas utiliser cet outil en état de fatigue ou sous l'influence de l'alcool, de drogues ou de médicaments.** Un moment d'inattention pendant l'utilisation d'un outil électrique peut entraîner des blessures graves.
- **Utiliser l'équipement de sécurité. Toujours porter une protection oculaire.** L'équipement de sécurité, tel qu'un masque filtrant, de chaussures de sécurité, d'un casque ou d'une protection auditive, utilisé dans des conditions appropriées réduira le risque de blessures.
- **Éviter les démarrages accidentels. S'assurer que le commutateur est en position d'arrêt avant de brancher l'outil.** Porter un outil avec le doigt sur son commutateur ou brancher un outil dont le commutateur est en position de marche peut causer un accident.
- **Retirer les clés de réglage avant de mettre l'outil en marche.** Une clé laissée sur une pièce rotative de l'outil peut causer des blessures.
- **Ne pas travailler hors de portée. Toujours se tenir bien campé et en équilibre.** Ceci permettra de mieux contrôler l'outil en cas de situation imprévue.
- **Porter une tenue appropriée. Ne porter ni vêtements amples, ni bijoux. Garder les cheveux, les vêtements et les gants à l'écart des pièces en mouvement.** Les vêtements amples, bijoux et cheveux longs peuvent se prendre dans les pièces en mouvement.
- **Si les outils sont équipés de dispositifs de dépoussiérage, s'assurer qu'ils sont connectés et correctement utilisés.** L'usage de ces dispositifs de dépoussiérage peut réduire les dangers présentés par la poussière.
- **Ne porter ni vêtements amples, ni bijoux. Attacher ou couvrir les cheveux longs.** Les vêtements amples, bijoux et cheveux longs peuvent se prendre dans les ouïes d'aération.
- **Ne pas utiliser l'outil sur une échelle ou un support instable.** Une bonne tenue et un bon équilibre permettent de mieux contrôler l'outil en cas de situation imprévue.

UTILISATION ET ENTRETIEN DES OUTILS ÉLECTRIQUES

- **Ne pas forcer l'outil. Utiliser l'outil approprié pour l'application.** Un outil approprié exécutera le travail mieux et de façon moins dangereuse s'il est utilisé dans les limites prévues.
- **Ne pas utiliser l'outil si le commutateur ne permet pas de le mettre en marche ou de l'arrêter.** Tout outil qui ne peut pas être contrôlé par son commutateur est dangereux et doit être réparé.
- **Débrancher l'outil et/ou retirer le bloc-piles avant d'effectuer des réglages, de changer d'accessoire ou de remiser l'outil.** Ces mesures de sécurité préventives réduisent les risques de démarrage accidentel de l'outil.
- **Ranger les outils motorisés hors de la portée des enfants et ne laisser personne n'étant pas familiarisé avec l'outil ou ces instructions utiliser l'outil.** Dans les mains de personnes n'ayant pas reçu des instructions adéquates, les outils sont dangereux.
- **Entretien des outils motorisés. Vérifier qu'aucune pièce mobile n'est mal alignée ou bloquée, qu'aucune pièce n'est brisée et s'assurer qu'aucun autre problème ne risque d'affecter le bon fonctionnement de l'outil. En**

RÈGLES DE SÉCURITÉ RELATIVES AUX OUTILS ÉLECTRIQUES

cas de dommages faire réparer l'outil avant de l'utiliser de nouveau. Beaucoup d'accidents sont causés par des outils mal entretenus.

- **Garder les outils bien affûtés et propres.** Des outils correctement entretenus et dont les tranchants sont bien affûtés risquent moins de se bloquer et sont plus faciles à contrôler.
- **Utiliser l'outil, les accessoires et embouts, etc., conformément à ces instructions pour les applications pour lesquelles ils sont conçus, en tenant compte des conditions et du type de travail à exécuter.** L'usage d'un outil motorisé pour des applications pour lesquelles il n'est pas conçu peut être dangereux.

UTILISATION ET ENTRETIEN DE LA PILE

- **Ne recharger qu'avec l'appareil spécifié par le fabricant.** Un chargeur approprié pour un type de pile peut créer un risque d'incendie s'il est utilisé avec un autre type de pile.
- **Utiliser exclusivement le bloc-pile spécifiquement indiqué pour l'outil.** L'usage de tout autre bloc peut créer un risque de blessures et d'incendie.
- **Lorsque le bloc-piles n'est pas en usage, le garder à**

l'écart d'articles tels qu'attaches trombones, pièces de monnaie, clous, vis ou autres petits objets métalliques risquant d'établir le contact entre les deux bornes. La mise en court-circuit des bornes de piles peut causer des étincelles, des brûlures ou un incendie.

- **En cas d'usage abusif, du liquide peut s'échapper des piles. Éviter tout contact avec ce liquide. En cas de contact accidentel, rincer immédiatement les parties atteintes avec de l'eau. En cas d'éclaboussure dans les yeux consulter un médecin.** Le liquide s'échappant des piles peut causer des irritations ou des brûlures.

DÉPANNAGE

- **Les réparations doivent être confiées à un technicien qualifié, utilisant exclusivement des pièces identiques à celles d'origine.** Ceci assurera le maintien de la sécurité de l'outil.
- **Utiliser exclusivement des pièces identiques à celles d'origine pour les réparations. Se conformer aux instructions de la section Entretien de ce manuel.** L'usage de pièces non autorisées ou le non-respect des instructions peut présenter des risques de choc électrique ou de blessures.




AVERTISSEMENTS DE SÉCURITÉ RELATIFS TOURNEVIS

- **Lorsque l'outil est utilisé pour un travail risquant de le mettre en contact avec des fils électriques cachés, le tenir par les surfaces de prise isolées.** Le contact d'un accessoire de coupe avec un fil sous tension « électrifie » les pièces métalliques exposées de l'outil et peut électrocuter l'utilisateur.
- **Apprendre à connaître l'outil. Lire attentivement le manuel d'utilisation. Apprendre les applications et les limites de l'outil, ainsi que les risques spécifiques relatifs à son utilisation.** Le respect de cette consigne réduira les risques d'incendie, de choc électrique et de blessures graves.
- **Toujours porter une protection oculaire certifiée conforme à la norme ANSI Z87.1.** Le respect de cette règle réduira les risques de blessures graves.
- **Protection respiratoire. Porter un masque facial ou un masque antipoussière si le travail produit de la poussière.** Le respect de cette consigne réduira les risques de blessures graves.
- **Protection auditive. Porter une protection auditive lors de l'utilisation prolongée.** Le respect de cette règle réduira les risques de blessures graves.
- **Les outils fonctionnant sur piles n'ayant pas besoin d'être branchés sur une prise secteur, ils sont toujours en état de fonctionnement. Tenir compte des dangers possibles lorsque l'outil n'est pas en usage et lors du remplacement des piles.** Le respect de cette consigne réduira les risques d'incendie, de choc électrique et de blessures graves.
- **Ne pas placer les outils électriques sans fil ou leurs piles à proximité de flammes ou d'une source de chaleur.** Ceci réduira les risques d'explosion et de blessures.






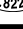
- **Ne pas écraser, faire tomber ou endommager le bloc-piles. Ne jamais utiliser un bloc-piles ou un chargeur qui est tombé, a été écrasé, a reçu un choc violent ou a été endommagé de quelque façon que ce soit.** Une pile endommagée risque d'exploser. Éliminer immédiatement toute pile endommagée, selon une méthode appropriée.
- **Les piles peuvent exploser en présence d'une source d'allumage, telle qu'une veilleuse.** Pour réduire les risques de blessures graves, ne jamais utiliser un appareil sans fil, quel qu'il soit, en présence d'une flamme vive. En explosant, une pile peut projeter des débris et des produits chimiques. En cas d'exposition, rincer immédiatement les parties atteintes avec de l'eau.
- **Ne pas recharger un outil fonctionnant sur piles dans un endroit humide ou mouillé.** Le respect de cette règle réduira les risques de choc électrique.
- **Pour un résultat optimal, les piles de l'outil doivent être rechargées dans un local où la température est de 10 à 35 °C (50 à 94°F). Ne pas ranger l'outil à l'extérieur ou dans un véhicule.**
- **Si l'outil est utilisé de façon intensive ou sous des températures extrêmes, des fuites de pile peuvent se produire. En cas de contact du liquide avec la peau, rincer immédiatement la partie atteinte avec de l'eau. En cas d'éclaboussure dans les yeux, les rincer à l'eau fraîche pendant au moins 10 minutes, puis contacter immédiatement un médecin.** Le respect de cette règle réduira les risques de blessures graves.
- **Conserver ces instructions.** Les consulter fréquemment et les utiliser pour instruire les autres utilisateurs éventuels. Si cet outil est prêté, il doit être accompagné de ces instructions, afin d'éviter un usage incorrect et d'éventuelles blessures.

SYMBOLES

Les termes de mise en garde suivants et leur signification ont pour but d'expliquer le degré de risques associé à l'utilisation de ce produit.

SYMBOLE	SIGNAL	SIGNIFICATION
	DANGER:	Indique une situation extrêmement dangereuse qui, si elle n'est pas évitée, aura pour conséquences des blessures graves ou mortelles.
	AVERTISSEMENT :	Indique une situation potentiellement dangereuse qui, si elle n'est pas évitée, pourrait entraîner des blessures graves ou mortelles.
	ATTENTION :	Indique une situation potentiellement dangereuse qui, si elle n'est pas évitée, pourrait entraîner des blessures légères ou de gravité modérée.
	ATTENTION :	(Sans symbole d'alerte de sécurité) Indique une situation pouvant entraîner des dommages matériels.

Certains des symboles ci-dessous peuvent être utilisés sur produit. Veiller à les étudier et à apprendre leur signification. Une interprétation correcte de ces symboles permettra d'utiliser produit plus efficacement et de réduire les risques.

SYMBOLE	NOM	DÉSIGNATION / EXPLICATION
	Symbole d'alerte de sécurité	Indique un risque de blessure potentiel.
	Lire manuel d'utilisation	Pour réduire les risques de blessures, l'utilisateur doit lire et veiller à bien comprendre le manuel d'utilisation avant d'utiliser ce produit.
	Protection oculaire	Toujours porter une protection oculaire avec écrans latéraux certifiée conforme à la norme ANSI Z87.1.
	Avertissement concernant l'humidité	Ne pas exposer à la pluie ou l'humidité.
	Symbole d'alerte de sécurité	Ce produit utilise les piles de lithium-ion (Li-ion). Les réglementations locales ou gouvernementales peuvent interdire de jeter les piles dans les ordures ménagères. Consulter les autorités locales compétentes pour les options de recyclage et/ou l'élimination.
V	Volts	Tension
Hz	Hertz	Fréquence (cycles par seconde)
W	Watts	Puissance
min	Minutes	Temps
	Courant continu	Type ou caractéristique du courant
n_0	Vitesse à vide	Vitesse de rotation à vide
.../min	Par minute	Tours, coups, vitesse périphérique, orbites, etc., par minute

AVERTISSEMENT :

La poussière dégagée lors du ponçage, sciage, meulage, perçage de certains matériaux et lors d'autres opérations de construction contient des produits chimiques reconnus causer le cancer, des malformations congénitales ou des lésions de l'appareil reproducteur. Voici certains exemples de ces produits chimiques :

- le plomb contenu dans la peinture au plomb,
- la silice cristalline contenue dans les briques, le béton et d'autres produits de maçonnerie, ainsi que
- l'arsenic et le chrome contenus dans le bois de construction traité par produits chimiques.

Le risque présenté par l'exposition à ces produits varie en fonction de la fréquence de ce type de travail. Pour réduire l'exposition à ces produits chimiques : travailler dans un endroit bien aéré et utiliser des équipements de sécurité approuvés tels que masques antipoussière spécialement conçus pour filtrer les particules microscopiques.

CARACTÉRISTIQUES

FICHE TECHNIQUE

Moteur 4 V c.c.
Commutateur Marche/arrêt / Réversible
Vitesse à vide 200/600 r/min. (RPM)

VEILLER À BIEN CONNAÎTRE LA TOURNEVIS

Voir la figure 1, page 9.

La sécurité d'utilisation de ce produit exige la compréhension des informations apposées sur l'outil et contenues dans ce manuel d'utilisation, ainsi que la connaissance du travail à exécuter. Avant d'utiliser ce produit, se familiariser avec toutes ses fonctions et règles de sécurité.

SÉLECTEUR DE SENS DE ROTATION (AVANT / ARRIÈRE / VERROUILLAGE CENTRAL)

La tournevis est équipée d'un sélecteur de sens de rotation (avant/arrière/verrouillage central), situé au-dessus de la gâchette. Mettre la sélecteur de sens de rotation en position d'ARRÊT (verrouillage central), pour réduire le risque de démarrage accidentel lorsque l'outil n'est pas utilisé.

Embrayage 24 Positions
Couple 4,5 Nm (40 po-lb)
Douille SYSTÈME SPEEDLOAD +™

LAMPES À DEL

Les lampes à DEL situées à l'avant de l'outil, s'allument lorsque la commutateur est enfoncée. Cela procure davantage de lumière pour une meilleure visibilité.

SYSTÈME SPEEDLOAD +™

Le tournevis est doté du SYSTÈME SPEEDLOAD+™, qui représente la façon la plus rapide et la plus pratique de changer les embouts à queue hexagonale de 6,35 mm (1/4 po).

BAGUE DE RÉGLAGE DU COUPLE

Cette tournevis est équipée d'un embrayage à 24 positions. La bague de réglage permet de sélectionner le couple approprié pour chaque application.

TRAIN D'ENGRENAGES À DEUX VITESSES

La perceuse est équipée d'un train d'engrenages permettant de visser et percer à deux vitesses : **Vitesse faible (1)** et **HAUTE (2)**. Un commutateur à glissière permet de sélectionner la vitesse **Vitesse faible (1)** ou **HAUTE (2)**.

ASSEMBLAGE

DÉBALLAGE

Ce produit a été expédié complètement assemblé.

- Avec précaution, sortir l'produit et les accessoires de la boîte. S'assurer que toutes les pièces figurant sur la liste de contrôle sont incluses.

AVERTISSEMENT :

Ne pas utiliser le produit s'il n'est pas complètement assemblé ou si des pièces semblent manquantes ou endommagées. Le fait d'utiliser un produit assemblé de façon inadéquate ou incomplète peut entraîner des blessures graves.

- Examiner soigneusement l'produit pour s'assurer que rien n'a été brisé ou endommagé en cours de transport.
- Ne pas jeter les matériaux d'emballage avant d'avoir soigneusement examiné l'produit et avoir vérifié qu'il fonctionne correctement.
- Si des pièces sont manquantes ou endommagées, appeler le 1-800-525-2579.

LISTE DE CONTRÔLE D'EXPÉDITION

Tournevis de Tek4®
Série de embouts
Manuel d'utilisation

AVERTISSEMENT :

Si des pièces manquent ou sont endommagées, ne pas utiliser cet outil avant qu'elles aient été remplacées. Le fait d'utiliser ce produit même s'il contient des pièces endommagées ou s'il lui manque des pièces peut entraîner des blessures graves.

AVERTISSEMENT :

Ne pas essayer de modifier cet produit ou de créer des accessoires non recommandés pour l'produit. De telles altérations ou modifications sont considérées comme un usage abusif et peuvent créer des conditions dangereuses, risquant d'entraîner des blessures graves.

AVERTISSEMENT :

Pour empêcher un démarrage accidentel pouvant entraîner des blessures graves, toujours retirer le bloc-pile de l'produit avant d'assembler des pièces.

UTILISATION

AVERTISSEMENT :

Ne pas laisser la familiarité avec l'outil faire oublier la prudence. Ne pas oublier qu'une fraction de seconde d'inattention peut entraîner des blessures graves.

AVERTISSEMENT :

Toujours porter une protection oculaire avec écrans latéraux certifiée conforme à la norme ANSI Z87.1. Si cette précaution n'est pas prise, des objets peuvent être projetés dans les yeux et causer des lésions graves.

AVERTISSEMENT :

Ne pas utiliser d'outils ou accessoires non recommandés pour cet produit. L'utilisation de pièces et accessoires non recommandés peut entraîner des blessures graves.

APPLICATIONS

Cet produit peut être utilisé pour les applications cidesous:

- Vissage au moyen d'embouts tournevis
- Perçage léger

AVERTISSEMENT :

Les outils à batteries sont toujours en état de fonctionnement. Il est donc nécessaire de toujours verrouiller la gâchette lorsque l'outil n'est pas en usage et pendant son transport.

CARACTÉRISTIQUES RELATIVES À LA PROTECTION DES PILES

Les piles au lithium ion de Ryobi sont conçues de manière à protéger les piles au lithium ion et à maximiser l'autonomie des piles.

Si l'outil s'arrête en cours d'utilisation, relâcher la gâchette pour le réenclencher et reprendre l'opération. Si l'outil ne fonctionne toujours pas, cela signifie qu'il est nécessaire de recharger la pile.

INSTALLATION / RETRAIT DU BLOC-PILES

Voir la figure 2, page 9.

AVERTISSEMENT :

Toujours retirer la pile de l'outil au moment d'assembler des pièces, d'effectuer des réglages et de procéder au nettoyage, ou lorsque l'outil n'est pas utilisé. Le fait de retirer la pile permet d'empêcher un démarrage accidentel pouvant entraîner des blessures graves.

Pour installer le bloc-piles :

- Dévisser le couvercle des piles.
- Insérer le bloc-piles dans la direction indiquée. S'assurer que la nervure du bloc-piles est alignée avec la rainure du tournevis.

- Placer le couvercle sur le bloc-piles et appuyer dessus jusqu'à ce qu'il rejoigne les filets situés à l'extrémité du compartiment des piles.

- Visser le couvercle solidement.

Pour retrait le bloc-piles :

- Dévisser le couvercle. Il devrait être facile de débrancher le bloc-piles et de le retirer.
- Ne pas tenter d'utiliser ce produit si le couvercle du compartiment des piles n'est pas fixé solidement.

SÉLECTEUR DE SENS DE ROTATION (AVANT / ARRIÈRE / VERROUILLAGE CENTRAL)

Voir la figure 3, page 9.

Le sens de rotation est commandé par un sélecteur situé au-dessus de la commutateur. La tournevis étant tenue en position normale d'utilisation, le sélecteur de sens de rotation doit être tourné vers la gauche pour percer. Le sens de rotation est inversé lorsque le sélecteur est tourné vers la droite.

Mettre le sélecteur de sens de rotation en position **ARRÊT** (position centrale de verrouillage) pour réduire le risque de démarrage accidentel lorsque l'outil n'est pas utilisé.

ATTENTION :

Pour éviter des dommages aux engrenages, toujours laisser le mandrin parvenir à l'arrêt complet avant de changer de sens de rotation.

Pour arrêter la tournevis, relâcher la commutateur et laisser le mandrin parvenir à l'arrêt complet.

NOTE : La tournevis ne peut fonctionner que si le sélecteur de sens de rotation est poussé à fond vers la droite ou la gauche.

TRAIN D'ENGRENAGES À DEUX VITESSES

Voir la figure 4, page 9.

La tournevis est équipée d'un train d'engrenages permettant de visser et percer à deux vitesses : **Vitesse faible (1)** et **HAUTE (2)**. Un commutateur à glissière, situé sur le dessus de la perceuse, permet de sélectionner la vitesse **Vitesse faible (1)** ou **HAUTE (2)**. Lorsque la gamme **Vitesse faible (1)** est utilisée, la vitesse est réduite et l'outil offre davantage de puissance et de couple. Lorsque la vitesse **HAUTE (2)** est utilisée, la vitesse augmente et l'outil offre moins de puissance et de couple. Utiliser la vitesse **Vitesse faible (1)** pour les applications exigeant beaucoup de puissance et de couple, et la vitesse **HAUTE (2)** pour visser ou percer rapidement.

INSERTION/RETRAIT DES EMBOUTS

Voir la figure 5, page 9.

Le SYSTÈME SPEEDLOAD +™ est un mandrin à changement rapide compatible avec des embouts hexagonaux de 6,35 mm (1/4 po). Insérer l'embout dans le mandrin le plus profondément possible jusqu'à ce que le mandrin se verrouille sur l'embout. Pour retirer l'embout, pousser le collier en caoutchouc vers l'avant et tirer l'embout hors du mandrin.

UTILISATION

EMBRAYAGE DE COUPLE RÉGLABLE

Cet outil est doté d'un embrayage à couple réglable permettant d'enfoncer différents types de vis dans différents matériaux. Le réglage dépend du type de matériau et de la taille de la vis utilisée.

RÉGLAGE DU COUPLE

Voir la figure 6, page 9.

La bague de réglage à 24 positions se trouve à l'avant de la perceuse.

- Régler la vitesse du train d'engrenages à « **Position 2** » (HAUTE) ou à « **Position 1** » (BASSE).
- Tourner le collier de réglage de manière à obtenir le couple désiré.
 - 1 à 4 Pour les vis de petite taille « **Position 1** » (**Vitesse faible**) ou à « **2** » (BASSE)
 - 5 à 8 Pour le vissage dans des matériaux tendres (**Position 1 - Vitesse faible**)
 - 9 à 12 Pour le vissage dans des matériaux tendres ou durs (**Position 1 - Vitesse faible**)

- 13 à 16 Pour le vissage dans du bois du (**Position 1 - Vitesse faible**)
- 17 à 24 Pour les vis de grande taille (**Position 1 - Vitesse faible**)

NOTE : Pendant l'utilisation, si le tournevis se bloque et émet un déclic sonore et si la lampe de travail DÉL clignote, l'utilisateur doit relâcher immédiatement la gâchette. Cela indique une surcharge de l'outil. Appuyer de nouveau sur la gâchette pour reprendre l'opération.

Pour éviter une telle situation, éviter de forcer l'outil et prendre connaissance des réglages décrits précédemment pour s'assurer d'utiliser le tournevis aux fins prévues.

LAMPES À DEL

Voir la figure 7, page 9.

Le tournevis a un incorporé lampes à DEL allume. Cette caractéristique est commode en travaillant dans la fin ou les secteurs tendus où la lumière supplémentaire est eu besoin de. Quand la détente de commutateur est déprimée, la lampes à DEL illuminera.

ENTRETIEN

AVERTISSEMENT :

Utiliser exclusivement des pièces d'origine pour les réparations. L'usage de toute autre pièce pourrait créer une situation dangereuse ou endommager l'produit.

AVERTISSEMENT :

Toujours porter une protection oculaire avec écrans latéraux certifiée conforme à la norme ANSI Z87.1 lors de entretien de produit. Si cette précaution n'est pas prise, des objets peuvent être projetés dans les yeux et causer des lésions graves.

ENTRETIEN GÉNÉRAL

Éviter d'utiliser des solvants pour le nettoyage des pièces en plastique. La plupart des matières plastiques peuvent être endommagées par divers types de solvants du commerce. Utiliser un chiffon propre pour éliminer la saleté, la poussière, l'huile, la graisse, etc.

AVERTISSEMENT :

Ne jamais laisser de liquides tels que le fluide de freins, l'essence, les produits à base de pétrole, les huiles pénétrantes, etc., entrer en contact avec les pièces en plastique. Les produits chimiques peuvent endommager, affaiblir ou détruire le plastique, ce qui peut entraîner des blessures graves.

ENTREPOSAGE

Avant l'entreposage, toujours retirer le bloc-piles du compartiment à piles.

RETRAIT ET PRÉPARATION DU BATTERIES POUR LE RECYCLAGE

AVERTISSEMENT :

Après avoir retiré le batteries, couvrir ses bornes avec un ruban adhésif de qualité industrielle. Ne pas essayer de démonter ou détruire le batteries, ni de retirer des composants quels qu'ils soient. Les batteries épuisées doivent être recyclées ou éliminées selon une méthode appropriée. Ne jamais toucher les deux bornes avec des objets en métal ou une partie du corps, car cela pourrait créer un court-circuit. Garder hors de la portée des enfants. Le non-respect de ces mises en garde peut résulter en un incendie et/ou des blessures graves.

NOTE : RECYCLAGE DE LA INFORMACIÓN ET FIGURES (ILLUSTRATIONS) COMMENÇANT SUR 9 DE PAGE APRÈS LA SECTION ESPAGNOL.

ÍNDICE DE CONTENIDO

■ Introducción.....	2
■ Garantía	2
■ Advertencias de seguridad para herramientas eléctricas	3-4
■ Advertencias de seguridad taladro-destornillador.....	4
■ Símbolos.....	5
■ Características.....	6
■ Armado	6
■ Funcionamiento	7-8
■ Mantenimiento.....	8
■ Figura numeras (ilustraciones).....	9
■ Pedidos de piezas / Servicio	Pág. posterior

INTRODUCCIÓN

Este producto ofrece numerosas características para hacer más agradable y placentero su uso. En el diseño de este producto se ha conferido prioridad a la seguridad, el desempeño y la fiabilidad, por lo cual se facilita su manejo y mantenimiento.

GARANTÍA

POLÍTICA DE INTERCAMBIO DURANTE 30 DÍAS Y GARANTÍA LIMITADA POR DOS AÑOS

POLÍTICA DE INTERCAMBIO DURANTE 30 DÍAS. Durante los primeros 30 días a partir de la fecha de compra de este producto, puede solicitar servicio bajo esta garantía o puede intercambiar el artículo devolviéndolo con el comprobante de compra y todo el equipo original empaquetado con el producto original al comerciante a quien se lo compró. El producto de reemplazo estará cubierta por la garantía limitada durante el resto del período de dos años a partir de la fecha de compra original.

GARANTÍA LIMITADA POR DOS AÑOS. La garantía de este producto cubre todos los defectos de mano de obra y materiales durante dos años a partir de la fecha de compra. La garantía de cualquiera de los accesorios de este producto, sin incluir las baterías, se limita a 90 días a partir de la fecha de compra del accesorio. Para solicitar el servicio de la garantía, llame a Servicio o Asistencia Técnica al Consumidor al 1-800-525-2579 a fin de obtener instrucciones para devoluciones bajo garantía. El producto debe empaquetarse de forma apropiada y devolverse con todo el equipo que se incluyó con el producto original. Cuando solicite el servicio de garantía, también deberá presentar el comprobante de compra que incluya la fecha de compra (por ejemplo, un recibo o una factura de venta). Los productos defectuosos devueltos dentro del período de garantía se repararán o reemplazarán -a nuestro criterio- dentro de los noventa (90) días o antes, sin cargo alguno. El costo de envío del producto a nuestras instalaciones corre por su cuenta. Esta garantía sólo cubre defectos que surjan del uso habitual y no se hace responsable del mal funcionamiento, las fallas o los defectos que resulten del uso indebido, el abuso, la negligencia, la alteración, la modificación o la reparación no autorizada. Se aplica solamente al comprador original en una venta minorista y no puede transferirse. One World Technologies, Inc. no otorga otras garantías, representaciones ni promesas respecto de la calidad o del desempeño de este producto además de las que se expresan específicamente en esta garantía. Todas las garantías implícitas otorgadas por leyes estatales, que incluyen garantías de comerciabilidad o idoneidad para un fin determinado, se limitan a dos años a partir de la fecha de compra. One World Technologies, Inc. no se hace responsable de daños directos, indirectos o accidentales. Algunos estados no permiten limitaciones con respecto a la duración de una garantía implícita o la exclusión o limitación de los daños accidentales o resultantes, de modo que es posible que las limitaciones y exclusiones descritas anteriormente no se apliquen en su caso. Esta garantía le otorga derechos legales específicos y también puede gozar de otros derechos que varían según el estado.

ADVERTENCIAS DE SEGURIDAD PARA HERRAMIENTAS ELÉCTRICAS



ADVERTENCIA

Lea todas las advertencias de seguridad y instrucciones. El incumplimiento de las advertencias e instrucciones puede ocasionar descarga eléctrica, fuego o lesiones graves.

Guarde todas las advertencias e instrucciones para futuras consultas. El término “herramienta eléctrica” empleado en todos los avisos de advertencia enumerados abajo se refiere a las herramientas eléctricas de cordón (alámbricas) y de baterías (inalámbricas).

SEGURIDAD EN EL ÁREA DE TRABAJO

- **Mantenga limpia y bien iluminada el área de trabajo.** Un área de trabajo mal despejada o mal iluminada propicia accidentes.
- **No utilice herramientas motorizadas en atmósferas explosivas, como las existentes alrededor de líquidos, gases y polvos inflamables.** Las herramientas eléctricas generan chispas que pueden encender el polvo y los vapores inflamables.
- **Mantenga alejados a los niños y circunstantes al maniobrar una herramienta eléctrica.** Toda distracción puede causar pérdida del control de la herramienta.

SEGURIDAD ELÉCTRICA

- **Las clavijas de las herramientas eléctricas deben corresponder a las tomas de corriente donde se conectan. Nunca modifique la clavija de ninguna forma. No utilice ninguna clavija adaptadora con herramientas eléctricas dotadas de contacto a tierra.** Conectando las clavijas originales en las tomas de corriente donde corresponden se disminuye el riesgo de una descarga eléctrica.
- **Evite el contacto del cuerpo con las superficies de objetos que estén haciendo tierra o estén conectados a ésta, como tuberías, radiadores, estufas y refrigeradores.** Existe un mayor riesgo de descargas eléctricas si el cuerpo está haciendo tierra.
- **No exponga las herramientas eléctricas a la lluvia ni a condiciones de humedad.** La introducción de agua en una herramienta eléctrica aumenta el riesgo de descargas eléctricas.
- **No maltrate el cordón eléctrico. Nunca utilice el cordón para trasladar, desconectar o tirar de la herramienta eléctrica. Mantenga el cordón alejado del calor, del aceite, de bordes afilados y de piezas móviles.** Los cordones eléctricos dañados o enredados aumentan el riesgo de descargas eléctricas.
- **Al utilizar una herramienta eléctrica a la intemperie, use un cordón de extensión apropiado para el exterior.** Usando un cordón adecuado para el exterior se disminuye el riesgo de descargas eléctricas.
- **Cargue solamente con el cargador indicado.**

MODELO	PAQUETE DE BATERÍAS	CARGADOR
HP53L	AP4001	AP4700, AP4500, AP4800

SEGURIDAD PERSONAL

- **Permanezca alerta, preste atención a lo que esté haciendo y aplique el sentido común al utilizar herramientas eléctricas. No utilice la herramienta eléctrica si está cansado o se encuentra bajo los efectos de alguna droga, alcohol o medicamento.** Un momento de inatención al utilizar una

herramienta eléctrica puede causar lesiones corporales serias.

- **Use equipo de seguridad. Siempre póngase protección ocular.** El uso de equipo de seguridad como mascarilla para el polvo, calzado de seguridad, casco y protección para los oídos en las circunstancias donde corresponda disminuye el riesgo de lesiones.
- **Evite un arranque accidental de la unidad. Asegúrese de que el interruptor esté en la posición de apagado antes de conectar la herramienta.** Portar las herramientas eléctricas con el dedo en el interruptor, o conectarlas con el interruptor puesto, propicia accidentes.
- **Retire toda llave o herramienta de ajuste antes de encender la herramienta eléctrica.** Toda llave o herramienta de ajuste dejada en una pieza giratoria de la herramienta eléctrica puede causar lesiones.
- **No estire el cuerpo para alcanzar mayor distancia. Mantenga una postura firme y buen equilibrio en todo momento.** De esta manera se logra un mejor control de la herramienta eléctrica en situaciones inesperadas.
- **Vístase adecuadamente. No vista ropas holgadas ni joyas. Mantenga el cabello, la ropa y los guantes alejados de las piezas móviles.** Las ropas holgadas, las joyas y el cabello largo pueden engancharse en las piezas móviles.
- **Si se suministran dispositivos para conectar mangueras de extracción y captación de polvo, asegúrese de que éstas estén bien conectadas y se usen correctamente.** La utilización de captador de polvo puede disminuir los peligros relacionados con el polvo.
- **No vista ropas holgadas ni joyas. Recójase el cabello si está largo.** Las ropas holgadas y las joyas, así como el cabello largo, pueden resultar atraídas hacia el interior de las aberturas de ventilación.
- **No utilice la unidad al estar en una escalera o en un soporte inestable.** Una postura estable sobre una superficie sólida permite un mejor control de la herramienta eléctrica en situaciones inesperadas.

EMPLEO Y CUIDADO DE LA HERRAMIENTA ELÉCTRICA

- **No fuerce la herramienta eléctrica. Utilice la herramienta eléctrica adecuada para cada trabajo.** La herramienta eléctrica adecuada efectúa mejor y de manera más segura el trabajo, si además se maneja a la velocidad para la que está diseñada.
- **No utilice la herramienta si el interruptor no enciende o no apaga.** Cualquier herramienta eléctrica que no pueda controlarse con el interruptor es peligrosa y debe repararse.
- **Desconecte la clavija del suministro de corriente o retire el paquete de baterías de la herramienta eléctrica, según sea el caso, antes de efectuarle cualquier ajuste, cambiarle accesorios o guardarla.** Tales medidas preventivas de seguridad reducen el riesgo de poner en marcha accidentalmente la herramienta.
- **Guarde las herramientas eléctricas desocupadas fuera del alcance de los niños y no permita que las utilicen personas no familiarizadas con las mismas o con estas instrucciones.** Las herramientas eléctricas son peligrosas en manos de personas no capacitadas en el uso de las mismas.
- **Preste servicio a las herramientas eléctricas. Revise para ver si hay desalineación o atoramiento de piezas móviles, ruptura de piezas o cualquier otra condición que pueda**

ADVERTENCIAS DE SEGURIDAD PARA HERRAMIENTAS ELÉCTRICAS

afectar el funcionamiento de la herramienta. Si está dañada la herramienta eléctrica, permita que la reparen antes de usarla. Numerosos accidentes son causados por herramientas eléctricas mal cuidadas.

- **Mantenga las herramientas de corte afiladas y limpias.** Las herramientas de corte bien cuidadas y con bordes bien afilados, tienen menos probabilidad de atascarse en la pieza de trabajo y son más fáciles de controlar.
- **Utilice la herramienta eléctrica, los accesorios y brocas, hojas y cuchillas de corte, ruedas de esmeril, etc. de conformidad con estas instrucciones, tomando en cuenta las condiciones de trabajo y la tarea por realizar.** Si se utiliza la herramienta eléctrica para operaciones diferentes de las indicadas podría originar una situación peligrosa.

EMPLEO Y CUIDADO DE LA HERRAMIENTA DE BATERÍAS

- **Sólo cargue el paquete de baterías con el cargador especificado por el fabricante.** Un cargador adecuado para un tipo paquete de baterías puede significar un riesgo de incendio si se emplea con un paquete de baterías diferente.
- **Utilice las herramientas eléctricas sólo con los paquetes de baterías específicamente indicados.** El empleo de paquetes de baterías diferentes puede presentar un riesgo de incendio.
- **Cuando no esté utilizándose el paquete de baterías,**

manténgalo lejos de otros objetos metálicos, como clips, monedas, llaves, clavos, tornillos o otros objetos metálicos, pequeños que puedan establecer conexión entre ambas terminales. Establecer una conexión directa entre las dos terminales de las baterías puede causar quemaduras o incendios.

- **Si se maltratan las baterías, puede derramarse líquido de las mismas; evite todo contacto con éste. En caso de contacto, lávese con agua. Si el líquido llega a tocar los ojos, además busque atención médica.** El líquido de las baterías puede causar irritación y quemaduras.

SERVICIO

- **Permita que un técnico de reparación calificado preste servicio a la herramienta eléctrica, y sólo con piezas de repuesto idénticas.** De esta manera se mantiene la seguridad de la herramienta eléctrica.
- **Al dar servicio a una herramienta eléctrica, sólo utilice piezas de repuesto idénticas. Siga las instrucciones señaladas en la sección Mantenimiento de este manual.** El empleo de piezas no autorizadas o el incumplimiento de las instrucciones de mantenimiento puede significar un riesgo de descarga eléctrica o de lesiones.

ADVERTENCIAS DE SEGURIDAD DESTORNILLADOR

- **Sujete las herramientas eléctricas por las superficies aisladas de sujeción al efectuar una operación en la cual la herramienta de corte pueda entrar en contacto con cables ocultos.** Todo contacto de una herramienta con un cable cargado carga las piezas metálicas expuestas de la herramienta y da una descarga eléctrica al operador.
- **Familiarícese con su herramienta eléctrica. Lea cuidadosamente el manual del operador. Aprenda sus usos y limitaciones, así como los posibles peligros específicos de esta herramienta eléctrica.** Con el cumplimiento de esta regla se reduce el riesgo de una descarga eléctrica, incendio o lesión seria.
- **Siempre póngase protección ocular con la marca de cumplimiento de la norma ANSI Z87.1.** Con el cumplimiento de esta regla se reduce el riesgo de lesiones corporales serias.
- **Protéjase los pulmones. Use una careta o mascarilla contra el polvo si la operación genera mucho polvo.** Con el cumplimiento de esta regla se reduce el riesgo de lesiones serias.
- **Protéjase los oídos. Durante períodos prolongados de utilización del producto, póngase protección para los oídos.** Con el cumplimiento de esta regla se reduce el riesgo de lesiones corporales serias.
- **No se necesita conectar a una toma de corriente las herramientas de baterías; por lo tanto, siempre están en condiciones de funcionamiento. Esté consciente de los posibles peligros cuando no esté usando la herramienta de baterías o cuando esté cambiando los accesorios de la misma.** Con el cumplimiento de esta regla se reduce el riesgo de una descarga eléctrica, incendio o lesión corporal seria.

- **No coloque herramientas de baterías ni las baterías mismas cerca del fuego o del calor.** De esta manera se reduce el riesgo de explosiones y de lesiones.
- **No aplaste, deje caer o dañe de baterías. Nunca utilice una batería o cargador que se ha caído, aplastado, recibido un golpe contundente o ha sido dañado(a) de alguna manera.** Las baterías dañadas pueden sufrir explosiones. Deseche de inmediato toda batería que haya sufrido una caída o cualquier daño.
- **Las baterías pueden explotar en presencia de fuentes de inflamación, como los pilotos de gas.** Para reducir el riesgo de lesiones serias, nunca use un producto inalámbrico en presencia de llamas expuestas. La explosión de una batería puede lanzar fragmentos y compuestos químicos. Si ha quedado expuesto a la explosión de una batería, lávese de inmediato con agua.
- **No cargue herramientas de baterías en lugares mojados o húmedos.** Con el cumplimiento de esta regla se reduce el riesgo de una descarga eléctrica.
- **Para obtener resultados óptimos, debe cargar la herramienta de baterías en un lugar donde la temperatura esté entre 10 y 35 °C (entre 50 y 94 °F). No guarde la herramienta a la intemperie ni en el interior de vehículos.**
- **En condiciones extremas de uso o temperatura las baterías pueden emanar líquido. Si el líquido llega a tocarle la piel, lávese de inmediato con agua y jabón. Si le entra líquido en los ojos, láveselos con agua limpia por lo menos 10 minutos, y después busque de inmediato atención médica.** Con el cumplimiento de esta regla se reduce el riesgo de lesiones corporales serias.
- **Guarde estas instrucciones.** Consúltelas con frecuencia y empléelas para instruir a otras personas que puedan utilizar esta herramienta. Si presta a alguien esta herramienta, facilíttele también las instrucciones.

SÍMBOLOS

Las siguientes palabras de señalización y sus significados tienen el objeto de explicar los niveles de riesgo relacionados con este producto.

SÍMBOLO	SEÑAL	SIGNIFICADO
	PELIGRO:	Indica una situación peligrosa inminente, la cual, si no se evita, causará la muerte o lesiones serias.
	ADVERTENCIA:	Indica una situación peligrosa posible, la cual, si no se evita, podría causar la muerte o lesiones serias.
	PRECAUCIÓN:	Indica una situación peligrosa posible, la cual, si no se evita, podría causar lesiones menores o leves.
	PRECAUCIÓN:	(Sin el símbolo de alerta de seguridad) Indica una situación que puede producir daños materiales.

Es posible que se empleen en este producto algunos de los siguientes símbolos. Le suplicamos estudiarlos y aprender su significado. Una correcta interpretación de estos símbolos le permitirá utilizar mejor y de manera más segura el producto.

SÍMBOLO	NOMBRE	DENOMINACIÓN/EXPLICACIÓN
	Alerta de seguridad	Indica un peligro posible de lesiones personales.
	Lea manual del operador	Para reducir el riesgo de lesiones, el usuario debe leer y comprender el manual del operador antes de usar este producto.
	Protección ocular	Siempre póngase protección ocular con protección lateral con la marca de cumplimiento de la norma ANSI Z87.1.
	Alerta de condiciones húmedas	No exponga la unidad a la lluvia ni la use en lugares húmedos.
	Símbolos de reciclado	Este producto contiene baterías de iones de litio (Li-ion). Es posible que algunas leyes municipales, estatales o federales prohíban desechar las baterías de níquel-cadmio en la basura normal. Consulte a las autoridades reguladoras de desechos para obtener información en relación con las alternativas de reciclado y desecho disponibles.
V	Volts	Voltaje
Hz	Hertz	Frecuencia (ciclos por segundo)
W	Watts	Potencia
min	Minutos	Tiempo
==	Corriente continua	Tipo o característica de corriente
n _o	Velocidad en vacío	Velocidad de rotación, en vacío
.../min	Por minuto	Revoluciones, carreras, velocidad superficial, órbitas, etc., por minuto

ADVERTENCIA:

Algunos polvos generados al efectuarse operaciones de lijado, aserrado, esmerilado, taladrado y de otros tipos en la construcción, contienen sustancias químicas sabidas causantes de cáncer, defectos congénitos y otras afecciones del aparato reproductor. Algunos ejemplos de estas sustancias químicas son:

- plomo de las pinturas a base de plomo,
- silicio cristalino de los ladrillos, del cemento y de otros productos de mampostería, y
- arsénico y cromo de la madera químicamente tratada.

El riesgo de la exposición a estos compuestos varía, según la frecuencia con que se realice este tipo de trabajo. Para reducir la exposición personal a este tipo de compuestos: trabaje en áreas bien ventiladas, y con equipo de seguridad aprobado, tal como las caretas para el polvo especialmente diseñadas para filtrar partículas microscópicas.

CARACTERÍSTICAS

ESPECIFICACIONES DEL PRODUCTO

Motor 4 V, corr. cont
Interruptor.....Encendido/apagado / Invertible
Velocidad en vacío200/600 r/min (RPM)

FAMILIARÍCESE CON EL DESTORNILLADOR

Vea la figura 1, página 9.

Para usar este producto con la debida seguridad se debe comprender la información indicada en la herramienta misma y en este manual. Antes de usar este producto, familiarícese con todas las características de funcionamiento y normas de seguridad del mismo.

SELECTOR DE SENTIDO DE ROTACIÓN (ADELANTE / ATRÁS / SEGURO EN EL CENTRO)

El destornillador dispone de un selector de sentido de giro (marcha adelante / atrás / seguro en el centro) situado arriba del gatillo del interruptor, para cambiar el sentido de giro de la broca. Si se pone el interruptor de gatillo en la posición de APAGADO (seguro en el centro) se evita el peligro de arrancar accidentalmente la herramienta cuando no está usándose.

LUZ DE TRABAJO DE DIODO LUMINISCENTE

La luz de trabajo de diodo luminiscente iluminan cuando el interruptor está en encendido. De esta manera se suministra luz adicional para mayor visibilidad.

Embrague24 posiciones
Fuerza de torsión..... 4,5 Nm (40 lb-pulg.)
Portaherramientas..... SISTEMA SPEEDLOAD +™

SISTEMA SPEEDLOAD +™

Su destornillador tiene el SISTEMA SPEEDLOAD +™, la manera más rápida y cómoda de cambiar cualquier broca de fuste hexagonal de 6,35 mm (1/4 pulg.).

ANILLO DE AJUSTE DE FUERZA DE TORSIÓN

El destornillador incorpora un embrague de 24 posiciones. El anillo de ajuste de la fuerza de torsión puede girarse para escoger la cantidad correcta de torsión necesaria en cada caso.

ENGRANAJE DE DOS VELOCIDADES (ALTA-BAJA)

El engranaje de dos velocidades taladra o atornilla a velocidad baja, posición (1) o alta, posición (2). Hay un interruptor deslizante en la parte superior del taladro para seleccionar velocidad baja, posición (1), o alta, posición (2).

ARMADO

DESEMPAQUETADO

Embarcamos este producto completamente armado.

- Extraiga cuidadosamente de la caja el producto y los accesorios. Asegúrese de que estén presentes todos los artículos enumerados en la lista de empaquetado.

ADVERTENCIA:

No use este producto si no está totalmente ensamblado o si alguna pieza falta o está dañada. Si utiliza un producto que no se encuentra ensamblado de forma correcta y completa, puede sufrir lesiones graves.

- Inspeccione cuidadosamente el producto para asegurarse de que no haya sufrido ninguna rotura o daño durante el transporte.
- No deseche el material de empaquetado sin haber inspeccionado cuidadosamente el producto y haberla utilizado satisfactoriamente.
- Si hay piezas dañadas o faltantes, le suplicamos llamar al 1-800-525-2579, donde le brindaremos asistencia.

LISTA DE EMPAQUETADO

Destornillador de Tek4®
Mordió de puntas de destornillador
Manual del operador

ADVERTENCIA:

Si hay piezas dañadas o faltantes, no utilice esta producto sin haber reemplazado todas las piezas. Usar este producto con partes dañadas o faltantes puede causar lesiones serias al operador.

ADVERTENCIA:

No intente modificar este producto ni hacer accesorios no recomendados para la misma. Cualquier alteración o modificación constituye maltrato, el cual puede causar una condición peligrosa, y como consecuencia posibles lesiones corporales serias.

ADVERTENCIA:

Para evitar un arranque accidental que podría causar lesiones corporales serias, siempre desmonte de el producto el paquete de baterías al montarle piezas a aquélla.

FUNCIONAMIENTO

ADVERTENCIA:

No permita que su familiarización con los productos lo vuelva descuidado. Tenga presente que un descuido de un instante es suficiente para causar una lesión grave.

ADVERTENCIA:

Siempre póngase protección ocular con protección lateral con la marca de cumplimiento de la norma ANSI Z87.1. Si no cumple esta advertencia, los objetos que salen despedidos pueden producirle lesiones serias en los ojos.

ADVERTENCIA:

No utilice ningún aditamento o accesorio no recomendado por el fabricante de esta producto. El empleo de aditamentos o accesorios no recomendados podría causar lesiones serias.

USOS

Este producto puede emplearse para los fines siguientes:

- Enroscar tornillos con puntas de destornillador
- Taladrado liviano

ADVERTENCIA:

Las herramientas de baterías siempre están en condiciones de funcionamiento. Por lo tanto, siempre debe estar asegurado el interruptor cuando no esté usándose o el operador lo lleve por un lado.

CARACTERÍSTICAS DE PROTECCIÓN DE LAS BATERÍAS

Las baterías de iones de litio Ryobi de 18 V están diseñadas con características que protegen las celdas de iones de litio y maximizan la duración de las baterías.

Si la herramienta se detiene durante el uso, suelte el gatillo para reiniciarla y reanude el funcionamiento. Si aun así no funciona, se debe recargar la batería.

PARA INSTALAR EL PAQUETE DE BATERÍAS

Vea la figura 2, página 9.

ADVERTENCIA:

Retire siempre el paquete de baterías de la herramienta antes de instalar las piezas, realizar ajustes. Limpíarla o cuando no la utilice. Retirar el paquete de baterías evitará que la unidad se accione accidentalmente y provoque lesiones graves.

Para instalar el paquete de baterías:

- Desenrosque la tapa del paquete de baterías.
- Introduzca el paquete de baterías en la dirección que se muestra. Asegúrese de que la costilla realizada sobre el paquete de baterías quede alineada con la ranura de la destornillador.

- Coloque la tapa sobre el paquete de baterías y empuje hasta que la tapa toque las roscas que se encuentran en el extremo del compartimiento de la batería.

- Enrosque la tapa firmemente.

Para retirar el paquete de baterías:

- Desenrosque la tapa. El paquete de baterías se desconecta y se retira fácilmente.
- No intente usar este producto si la tapa del paquete de baterías no está firmemente cerrada.

SELECTOR DE SENTIDO DE ROTACIÓN (MARCHA ADELANTE / ATRÁS / SEGURO EN EL CENTRO)

Vea la figura 3, página 9.

El sentido de rotación de la broca es invertible y se controla con un selector, el cual está situado arriba del gatillo del interruptor. Con el taladro sostenido en la posición normal de trabajo, el selector de sentido de rotación debe estar a la izquierda del gatillo del interruptor para el taladrado. El sentido de rotación está invertido cuando el selector se encuentra a la derecha del gatillo del interruptor.

Si se pone el interruptor de gatillo en la posición de **APAGADO** (seguro en el centro) se evita el peligro de arrancar accidentalmente la producto cuando no está usándose.

PRECAUCIÓN:

Para evitar dañar el engranaje, antes de cambiar el sentido de rotación siempre permita que se detenga completamente el portabrocas.

Para detener el , suelte el gatillo del interruptor y permita que se detenga completamente el portabrocas.

NOTA: El taladro no funciona a menos que se empuje el selector de dirección de giro completamente a la izquierda o derecha.

ENGRANAJE DE DOS VELOCIDADES (ALTA-BAJA)

Vea la figura 4, página 9.

El taladro dispone de un engranaje de dos velocidades para taladrar o impulsar tornillos a velocidad **BAJA**, posición (1) o **ALTA**, posición (2). Hay un interruptor deslizante en la parte superior del taladro para seleccionar velocidad **BAJA**, posición (1), **ALTA**, posición (2). Al utilizar el taladro en la gama de velocidad **BAJA**, posición (1), la velocidad disminuye, y la unidad desarrolla potencia y fuerza de torsión mayores. Al utilizar el taladro en la gama de velocidad **ALTA**, posición (2), la velocidad aumenta, y la unidad desarrolla potencia y fuerza de torsión menores. Para usos donde se requieran potencia y fuerza de torsión elevadas, use velocidad **BAJA**, posición (1), y para taladrado o atornillado rápidos, use velocidad **ALTA**, posición (2).

COLOCAR/EXTRAER DE LAS BROCAS

Vea la figura 5, página 9.

El SISTEMA SPEEDLOAD+™ de su destornillador es un portabrocas de cambio rápido diseñado para aceptar cualquier broca de fuste hexagonal de 6,35 mm (1/4 pulg.). Coloque la broca en el portabrocas y ejerza presión sobre ésta tanto como le sea posible, hasta que la broca se inserte firmemente en el portabrocas. Para retirar una broca, tire el collar de goma hacia delante y luego retirela del portabrocas en línea recta.

FUNCIONAMIENTO

EMBRAGUE DE FUERZA DE TORSIÓN AJUSTABLE

Este producto viene equipado de un embrague de fuerza de torsión ajustable para atornillar diferentes tipos de tornillos en diferentes materiales. El ajuste adecuado depende del tipo de material y del tamaño del tornillo.

AJUSTE DE LA FUERZA DE TORSIÓN

Ve a la figura 6, página 9.

En la parte frontal del producto se encuentran doce marcas de ajuste del indicador de fuerza de torsión.

- Escoja la engranaje colocación a velocidad **BAJA (posición 1) o ALTA (posición 2)**.
- Gire el anillo de ajuste a la marca deseada.
 - 1 - 4 Para introducir tornillos pequeños [velocidad **BAJA (posición 1) o ALTA (posición 2)**]
 - 5 - 8 Para introducir tornillos en material blando [velocidad **BAJA (posición 1)**]
 - 9 - 12 Para introducir tornillos en materiales blandos o duros [velocidad **BAJA (posición 1)**]

- 13 - 16 Para introducir tornillos en madera dura [velocidad **BAJA (posición 1)**]
- 17 - 24 Para introducir tornillos grandes [velocidad **BAJA (posición 1)**]

NOTA: Durante el uso, si el destornillador se atasca y comienza a emitir un chasquido, y si la lámpara de trabajo de diodo luminiscente se enciende y se apaga, suelte el gatillo inmediatamente. Esto indica que ha sobrecargado la herramienta. Oprima el gatillo del interruptor nuevamente para reanudar la operación.

Para evitar esta situación, no fuerce la herramienta y consulte las configuraciones descritas anteriormente para garantizar el uso del destornillador para su aplicación apropiada.

LUZ DE TRABAJO DE DIODO LUMINISCENTE

Ve a la figura 7, página 9.

El destornillador cuenta con luz de trabajo de diodo luminiscente integrada. Es una característica útil para trabajar en lugares cerrados o estrechos, en los cuales se necesita luz adicional. La luz de trabajo de diodo luminiscente iluminan cuando el interruptor está en encendido.

MANTENIMIENTO

ADVERTENCIA:

Al dar servicio a la unidad, sólo utilice piezas de repuesto idénticas. El empleo de piezas diferentes puede causar un peligro o dañar el producto.

ADVERTENCIA:

Siempre póngase protección ocular con protección lateral con la marca de cumplimiento de la norma ANSI Z87.1 de efectuar tareas de mantenimiento. Si no cumple esta advertencia, los objetos que salen despedidos pueden producirle lesiones serias en los ojos.

MANTENIMIENTO GENERAL

Evite el empleo de solventes al limpiar piezas de plástico. La mayoría de los plásticos son susceptibles a diferentes tipos de solventes comerciales y pueden resultar dañados. Utilice paños limpios para eliminar la suciedad, el polvo, el aceite, la grasa, etc.

ADVERTENCIA:

No permita en ningún momento que fluidos para frenos, gasolina, productos a base de petróleo, aceites penetrantes, etc., lleguen a tocar las piezas de plástico. Las sustancias químicas pueden dañar, debilitar o destruir el plástico, lo cual a su vez puede producir lesiones corporales serias.

ALMACENAMIENTO

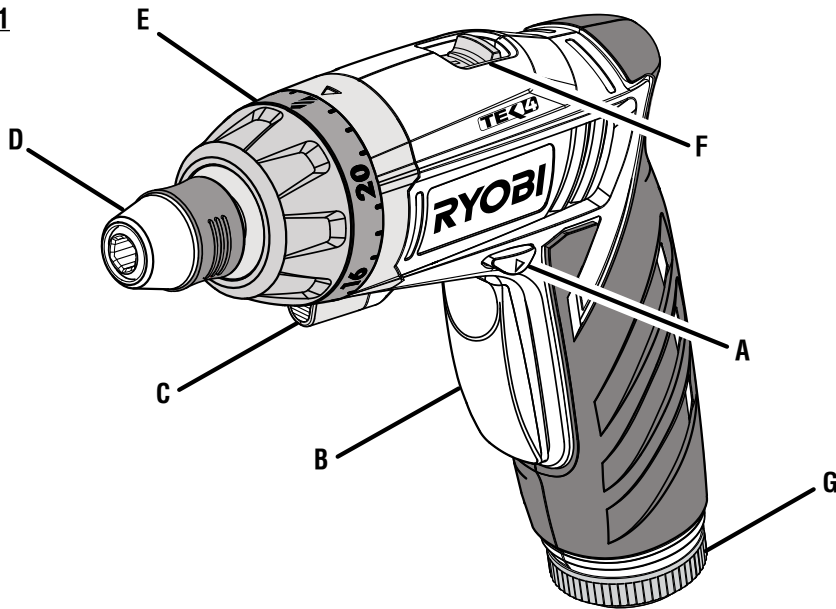
Antes de almacenar, quite siempre el paquete de baterías del compartimiento de baterías.

REMOCIÓN Y PREPARACIÓN DEL PAQUETE DE BATERÍAS PARA EL RECICLADO

ADVERTENCIA:

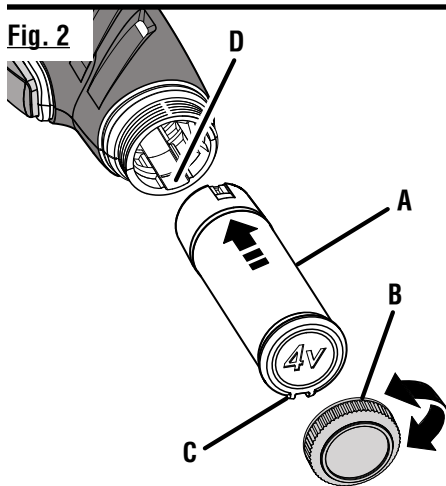
Al retirar el paquete de baterías, cubra las terminales del mismo con cinta adhesiva reforzada. No intente destruir o desarmar el paquete de baterías, ni de desmontar ninguno de sus componentes. Las baterías deben reciclarse o desecharse debidamente. Asimismo, nunca toque ambas terminales con objetos metálicos y partes del cuerpo, ya que puede producirse un corto circuito. Manténgase fuera del alcance de los niños. La inobservancia de estas advertencias puede causar incendios y lesiones corporales serias.

Fig. 1



- A - Direction of rotation selector (forward/reverse/center lock) [(Sélecteur de sens de rotation (avant / arrière / verrouillage central), selector de sentido de rotación (adelante / atrás / seguro en el centro)]
- B - Switch trigger (commutateur, interruptor)
- C - LED worklight (lampes à del, luz de trabajo de diode lumineuse)
- D - Speedload +™ System (Systeme Speedload +™, Sistema Speedload +™)
- E - Torque adjustment ring (bague de réglage du couple, anillo de ajuste de fuerza de torsión)
- F - Two-speed gear train (high-low) (train d'engrenages à deux vitesses [haute et basse], engranaje de dos velocidades [altabaja])
- G - Battery cap (couvercle de pile; cubierta de batería)

Fig. 2



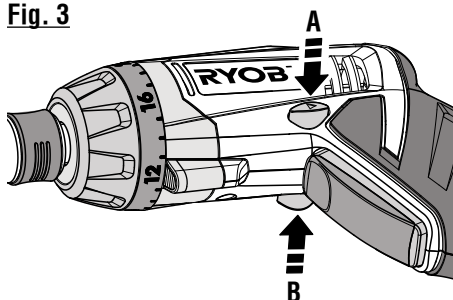
ALIGN RAISED RIBS WITH GROOVE IN HANDLE

ALIGNER LES TASSEUX AVEC LA RAINURE DANS LA BASE DE LA LAMPE DE TORCHE

ALINEE LAS COSTILLAS REALIZADAS CON LA RANURA QUE SE ENCUENTRA DENTRO DE LA BASE DE LA LINTERNA

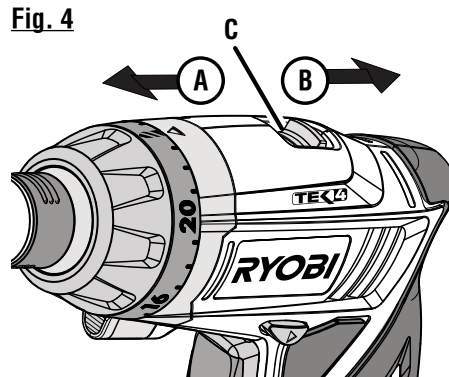
- A - Battery pack (bloc-pile, paquete de baterías)
- B - Battery cap (couvercle de pile; cubierta de batería)
- C - Raised ribs (épaulements surélevés, costillas realizadas)
- D - Groove (rainure, ranura)

Fig. 3



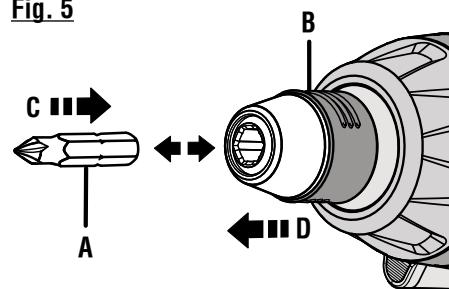
- A - Reverse (arrière, adelante)
- B - Forward (avant, atrás)

Fig. 4



- A - High Speed (Position 2) [(Vitesse élevée (position 2), Velocidad alta (posición 2))]
- B - Low Speed (Position 1) [(Vitesse faible (position 1), Velocidad low (baja) (posición 1))]
- C - Two-speed gear train (high-low) (train d'engrenages à deux vitesses [haute et basse], engranaje de dos velocidades [altabaja])

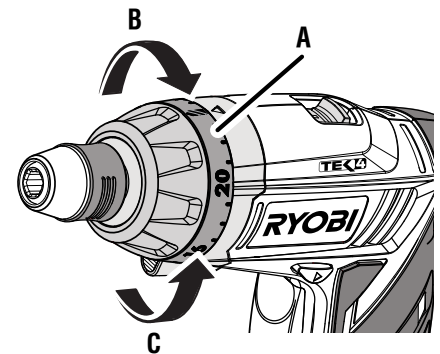
Fig. 5



**SPEEDLOAD +™ SYSTEM
SYSTEME SPEEDLOAD +™
SISTEMA SPEEDLOAD +™**

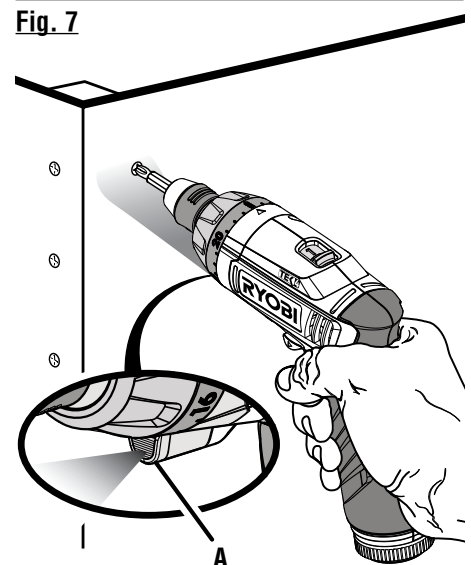
- A - Bit (embout, broca)
- B - Rubber collar (collier en caoutchaouc, collar de goma)
- C - Load bit (insertion de embout, colocar la broca)
- D - Release bit (retrait de embout, extraer la broca)

Fig. 6



- A - Torque adjustment ring (bague de réglage du couple, anillo de ajuste de fuerza de torsión)
- B - To increase torque (pour augmenter le couple, para aumentar la fuerza de torsión)
- C - To decrease torque (pour réduire le couple, para disminuir la fuerza de torsión)

Fig. 7



- A - LED worklight (lampes à del, luz de trabajo de diode lumineuse)

