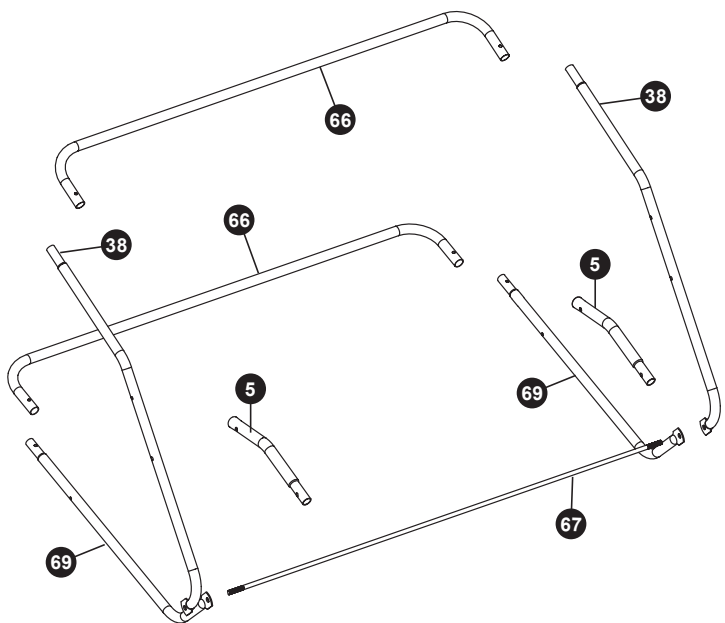


PARTS

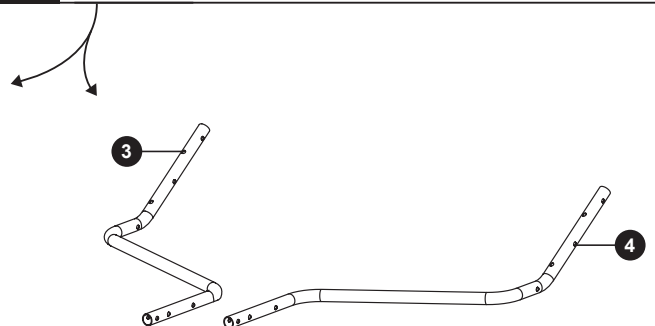
REF	PART NO.	DESCRIPTION	QTY
1	1008953-10	Lock Arm	1
2	1008958-10	Height Adjustment Handle	1
6	1008965	5/16" x 1" Spacer	2
7	1009047	Vinyl Bolt Cap	2
8	1009058	Vinyl Grip	1
9	11M1020P	5/16" x 1-1/4" Carriage Bolt	1
10	11M1024P	5/16" x 1-1/2" Carriage Bolt	6
13	2M1012P	5/16" x 3/4" Hex Bolt	5
14	2M1044P	5/16" x 2-3/4" Hex Bolt	3
15	2M1056P	5/16" x 3-1/2" Hex Bolt	2
16	30M1000P	5/16" Hex Nut	2
17	30M1200P	3/8" Hex Nut	2
18	40M1000P	5/16" Lock Washer	2
19	45M1111P	5/16" Washer	14
20	B-1673P	1/4" Lock Nut	6
21	B-1674P	5/16" Lock Nut	1
22	B-1675P	3/8" Lock Nut	2
23	B-3861	1/2" X 2-1/2" Hitch Pin	1
24	B-4107	1" Vinyl Cap	2
25	B-4786	5/16" Nylon Lock Nut	16
26	1009205	Grip	1
27	B-4868	5/16" x 2-1/2" Hex Bolt	2
28	B-5650	5/16" Star Lock Washer	1
29	B-983	0.08" Hairpin Cotter	2
30	D-146P	1/8" Hairpin Cotter	1
31	F-782	5/16" Knob	1
32	R-1141-01	Frame Spacer	1
33	R-2303	5/16" X 1-3/8" Clevis Pin	2
34	R-618	Large Washer	3
35	1008997SER	Pull Handle	1

REF	PART NO.	DESCRIPTION	QTY
36	1009049	Adhesive Hook and Loop	1
37	1009639	Rope, Pull, Hamper	1
40	R-2426	Hamper	1
41	1009046	Adjustment Label	1
42	1008955	Dust Cover	2
43	1008957-10	Lower Pivot	1
44	1008959-01	Wheel Axle	2
45	1008986-10SER	Brush Housing	1
46	1008987	Wheel	2
47	1008992-10	Hamper Stop	1
48	11M0808P	1/4" x 1/2" Carriage Bolt	6
49	50M0624P	3/16" x 1-1/2" Cotter Pin	4
50	B-4768	5/8" Machine Bushing	4
51	B-5924	Brinly Decal	1
52	B-7063	Caution Label	1
53	F-577	5/8" E Ring	6
54	L-1744	Label, Serial No	1
55	R-2205	Brush Section	6
56	R-2259-01	Brush Axle	1
57	R-2261	1/4" x 3/4" Dowel Pin	2
58	R-2262	5/8" Large Flat Washer	2
59	R-2263	5/8" Flat Washer	2
60	R-2281	Brush Holder	4
61	R-2289SER	Bearing Retainer	2
62	R-2320	5/8" External Retaining Ring	2
63	R-2321	Screw, Tapping, #12 X 3/8	4
64	R-2485LH	LH Drive Pinion	1
65	R-2485RH	RH Drive Pinion (Not Shown)	1
68	R-2251-10	Hitch Clevis	1
70	R-2307	Spring Rod	2



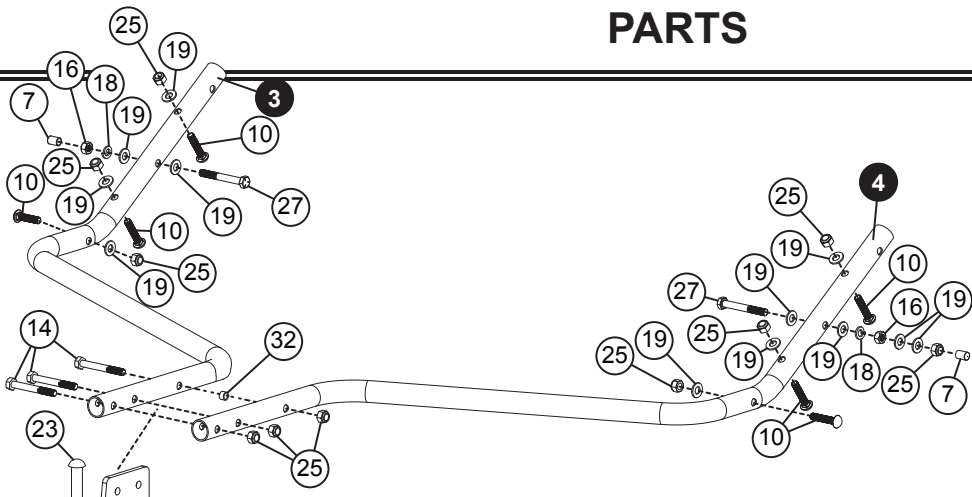
TUBES:

3	1008960-10	Tow Tube, Right	1
4	1008961-10	Tow Tube, Left	1
5	1008962-10	Hamper Mount	2
38	R-2300-10	Upper Side Tube	2
66	R-2194-10	Rear Hamper Tube	2
67	R-2195	Hamper Stop Rod	1
69	R-2443-10	Lower Side Tube	2



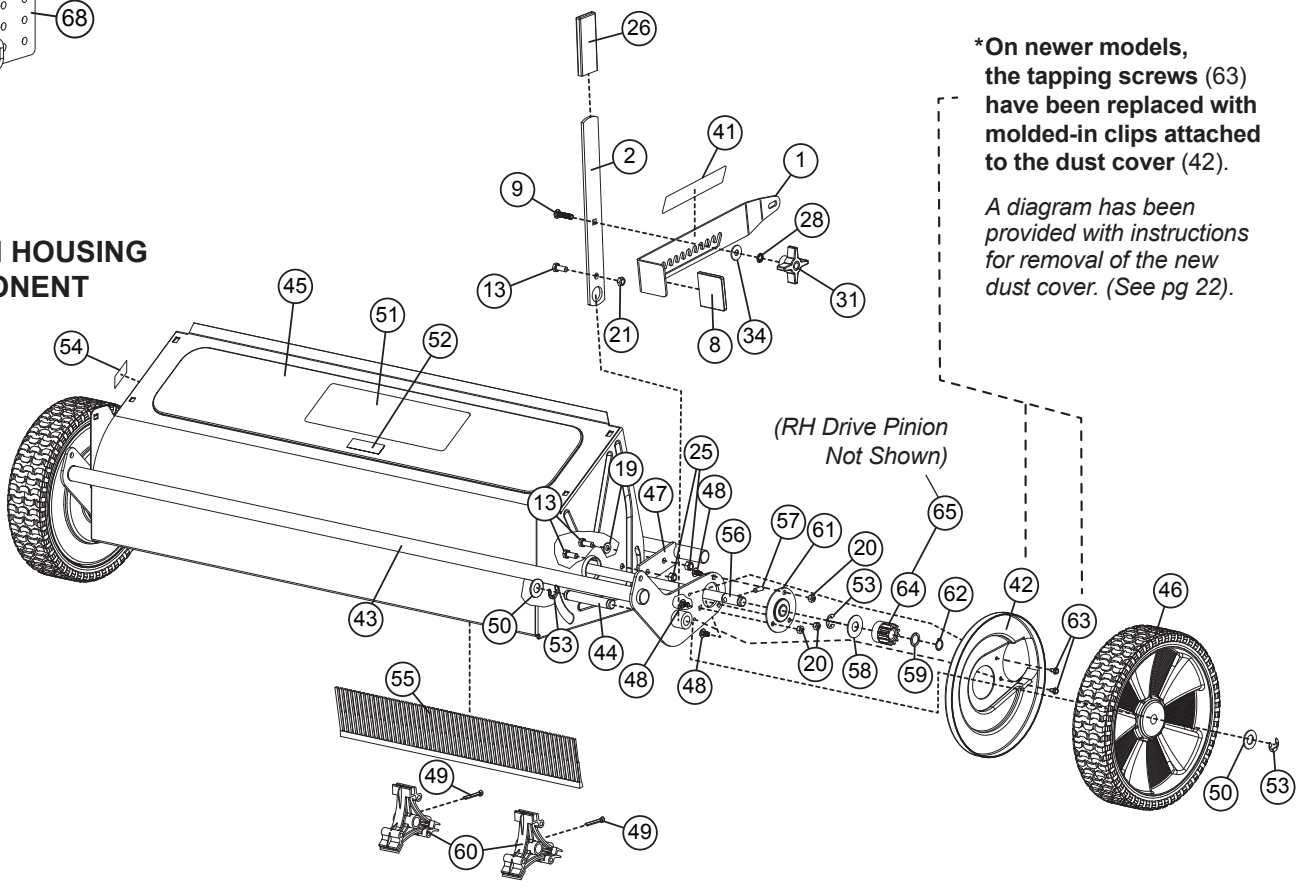
PARTS

TOW TUBE COMPONENT VIEW



*On newer models, the tapping screws (63) have been replaced with molded-in clips attached to the dust cover (42).
A diagram has been provided with instructions for removal of the new dust cover. (See pg 22).

BRUSH HOUSING COMPONENT VIEW:



(RH Drive Pinion Not Shown)

HAMPER FRAME AND HAMPER COMPONENT VIEW

